



US00D707788S

(12) **United States Design Patent**  
**Hammond**

(10) **Patent No.:** **US D707,788 S**

(45) **Date of Patent:** **\*\* Jun. 24, 2014**

(54) **ARTICULATED FISHING HOOK**

2006/0191187 A1 8/2006 Falcon  
2007/0234635 A1 10/2007 Lewis  
2009/0199456 A1 8/2009 Lutyens  
2010/0287814 A1 11/2010 Barefoot

(71) Applicant: **Gregory Miles Hammond**, Huntington Beach, CA (US)

\* cited by examiner

(72) Inventor: **Gregory Miles Hammond**, Huntington Beach, CA (US)

*Primary Examiner* — Catheri Oliver-Garcia

(74) *Attorney, Agent, or Firm* — QuickPatents; Kevin Prince

(\*\*) Term: **14 Years**

(57) **CLAIM**

(21) Appl. No.: **29/460,811**

I claim the ornamental design for an articulated fishing hook, as shown and described.

(22) Filed: **Jul. 15, 2013**

**DESCRIPTION**

(51) **LOC (10) Cl.** ..... **22-05**

(52) **U.S. Cl.**  
USPC ..... **D22/144**

(58) **Field of Classification Search**  
USPC ..... D22/144–145; 43/42.32, 42.37, 42.1,  
43/44.81, 44.82, 42.39, 42.36  
See application file for complete search history.

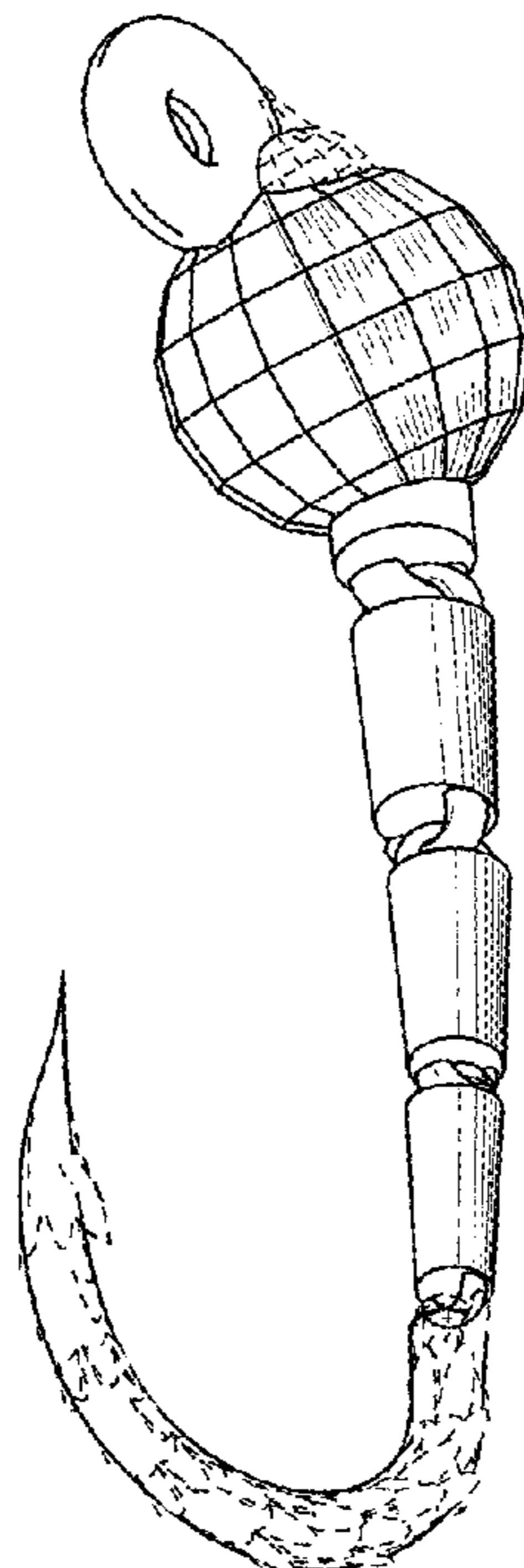
FIG. 1 is a perspective view of an articulated fishing hook, showing a first embodiment of my new design;  
FIG. 2 is a front elevational view of FIG. 1;  
FIG. 3 is a rear elevational view of FIG. 1;  
FIG. 4 is a right-side elevational view of FIG. 1, the left-side elevational view being a mirror image thereof;  
FIG. 5 is a top plan view of FIG. 1;  
FIG. 6 is a bottom plan view of FIG. 1;  
FIG. 7 is a perspective view of a second embodiment thereof;  
FIG. 8 is a front elevational view of FIG. 7;  
FIG. 9 is a rear elevational view of FIG. 7;  
FIG. 10 is a right-side elevational view of FIG. 7, the left-side elevational view being a mirror image thereof;  
FIG. 11 is a top plan view of FIG. 7; and,  
FIG. 12 is a bottom plan view of FIG. 7.  
The broken lines in the figures depict environmental matter and form no part of the claimed design.

(56) **References Cited**

**U.S. PATENT DOCUMENTS**

83,681	A	11/1868	Albee	
3,750,321	A *	8/1973	McClellan	43/42.1
5,081,786	A	1/1992	Cobb	
5,245,783	A *	9/1993	Cumiskey	43/42.37
D370,048	S *	5/1996	Smith	D22/144
5,673,508	A *	10/1997	Snyder	43/42.37
6,519,895	B1	2/2003	Bennett	
6,892,490	B2	5/2005	Mattlage	
D507,624	S *	7/2005	Shastid	D22/144
8,079,173	B2 *	12/2011	Corbitt, III	43/42.36

**1 Claim, 4 Drawing Sheets**



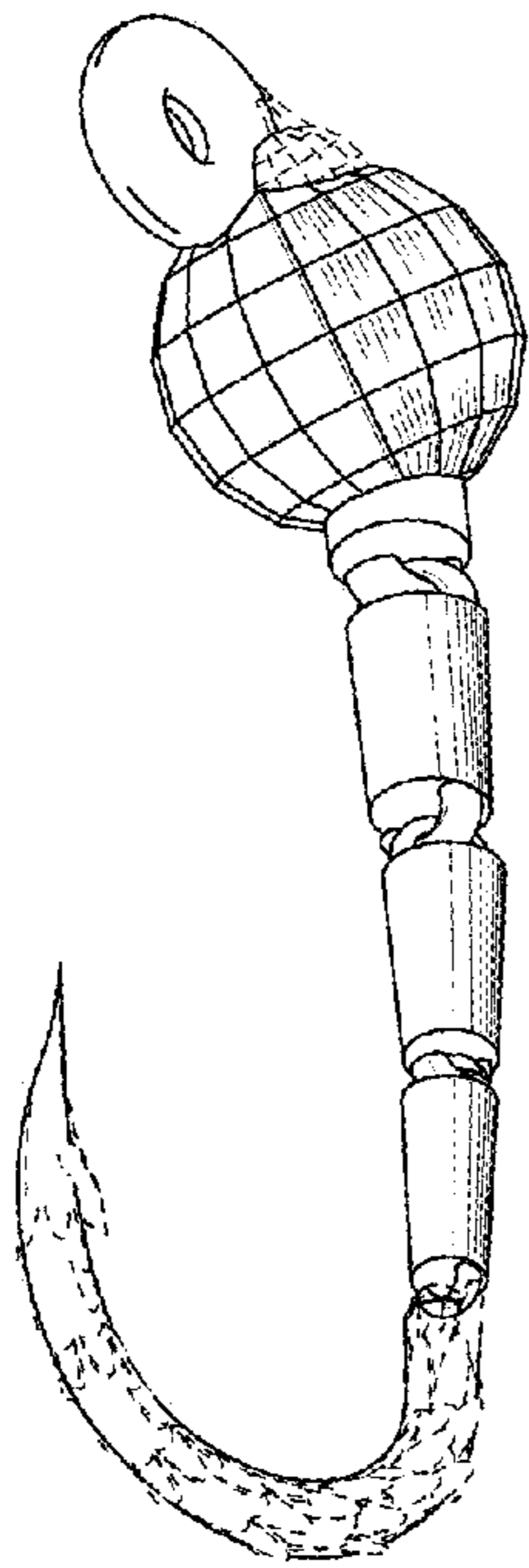


FIG. 1

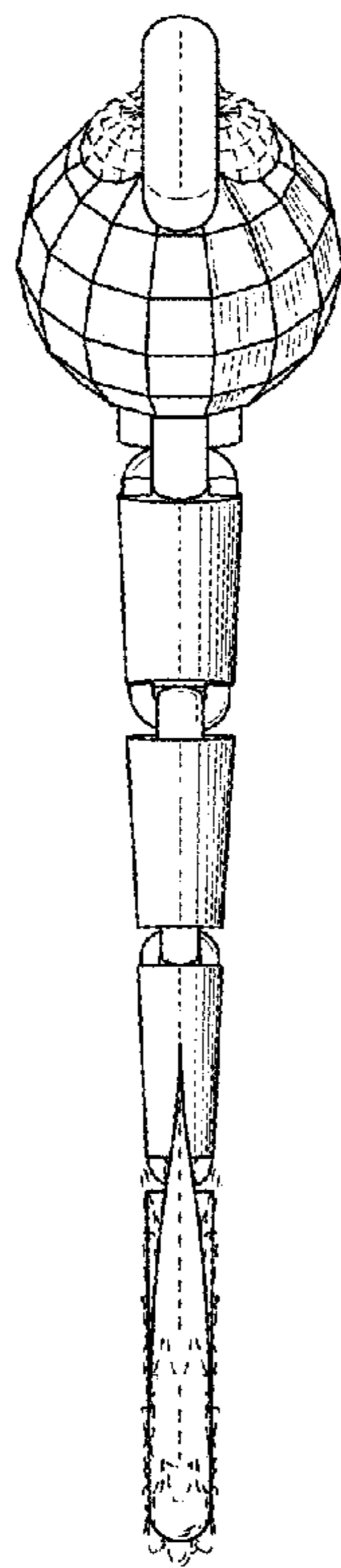


FIG. 2

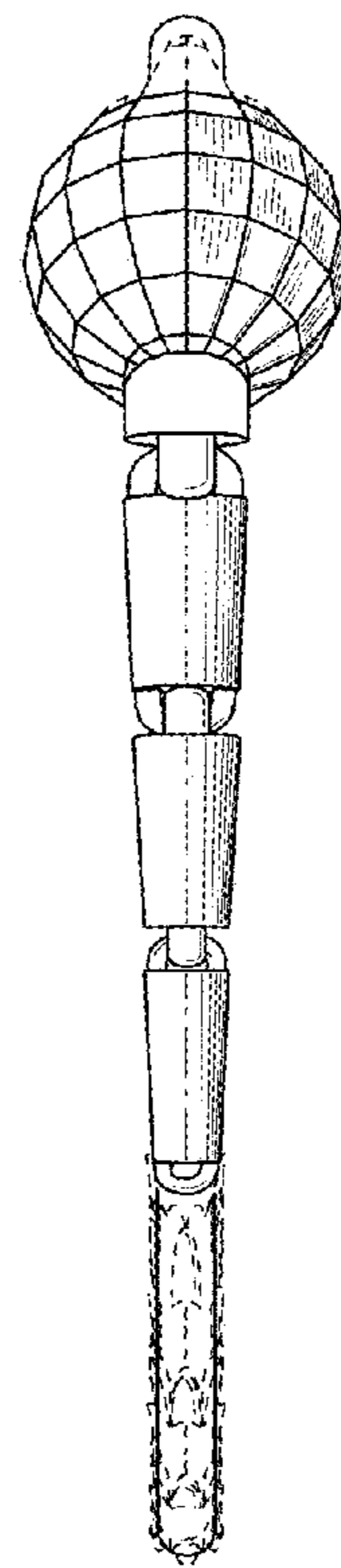


FIG. 3

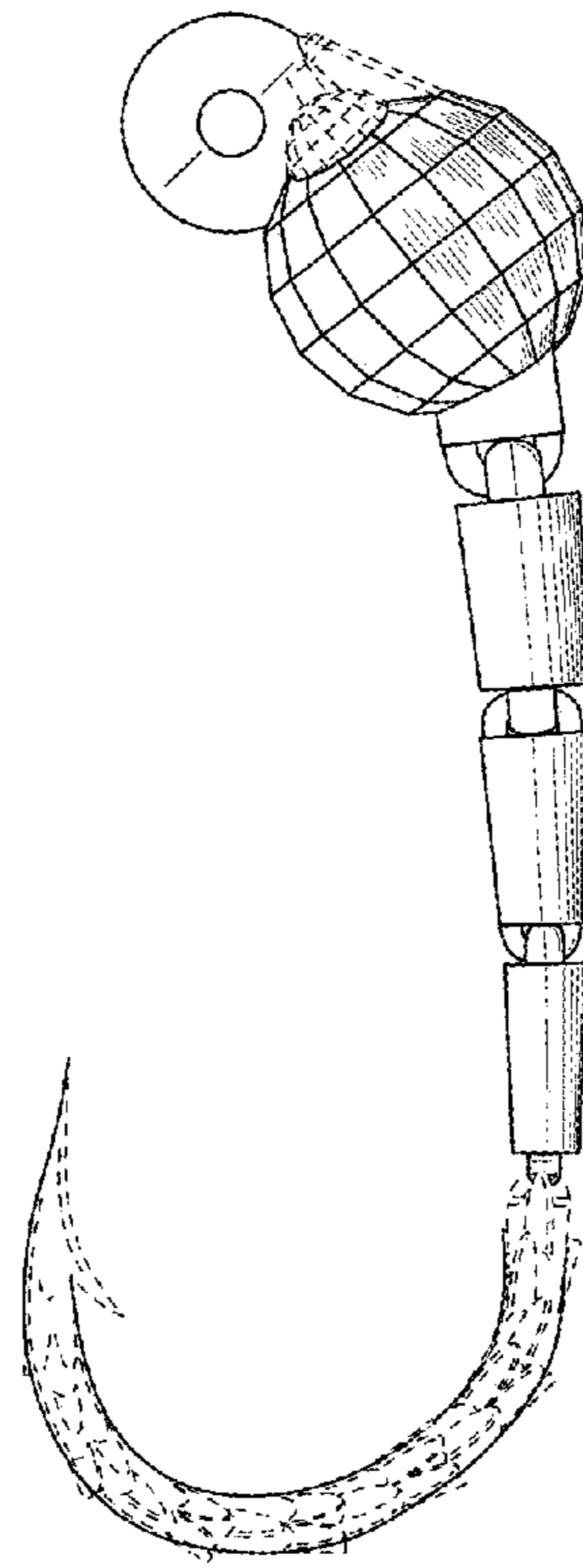


FIG. 4

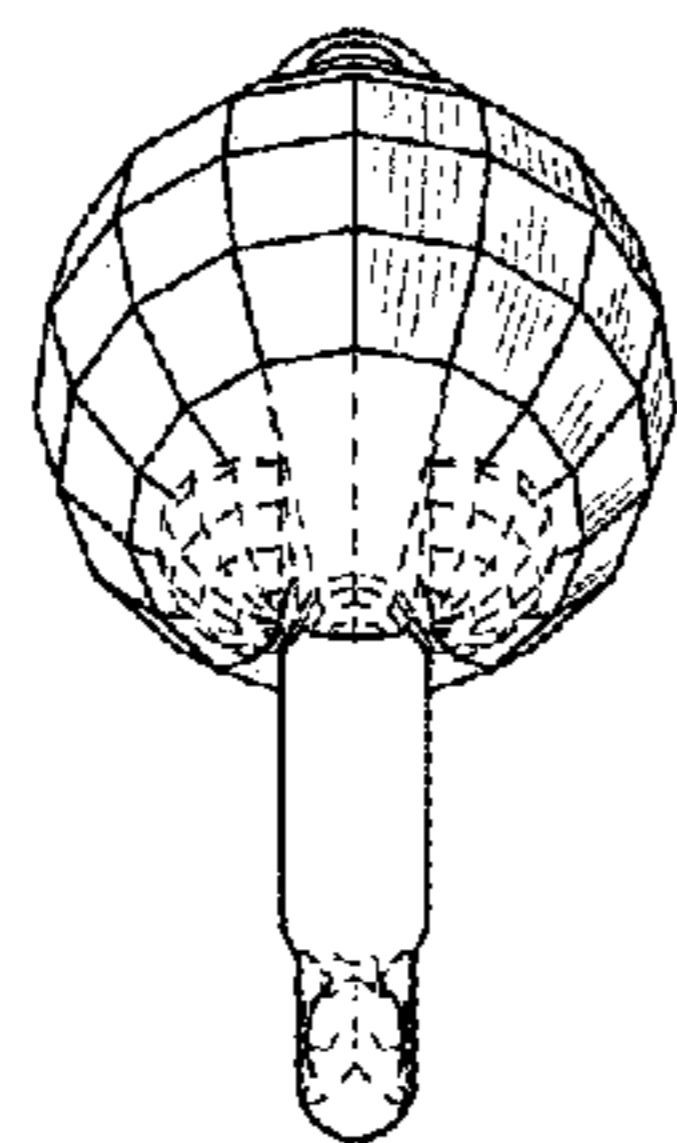


FIG. 5

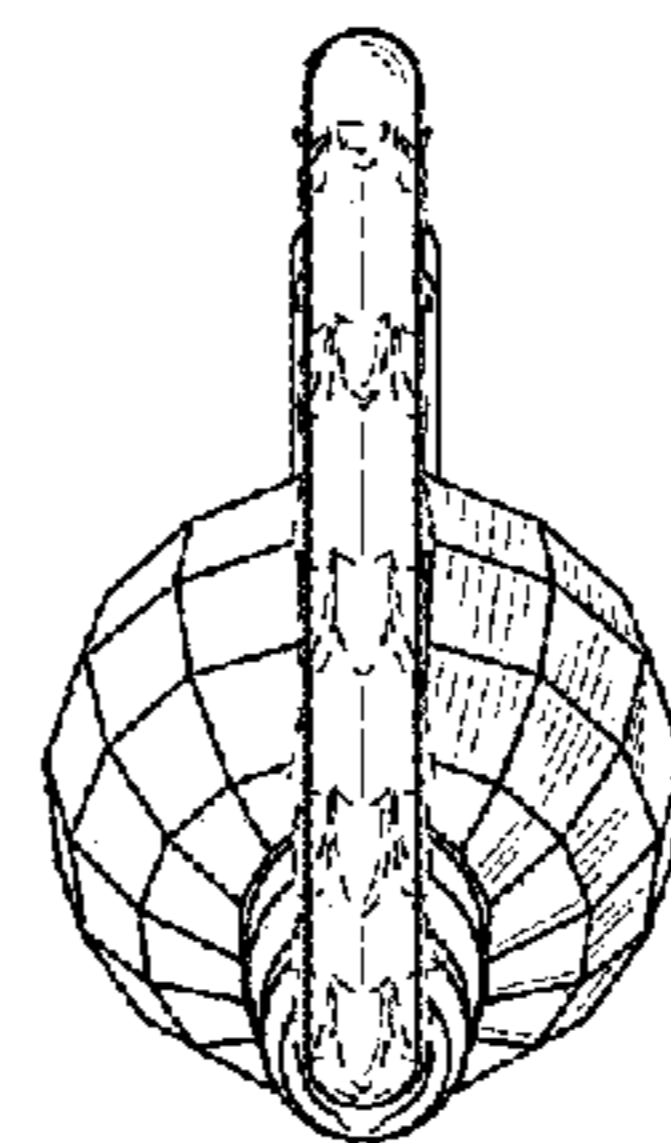


FIG. 6

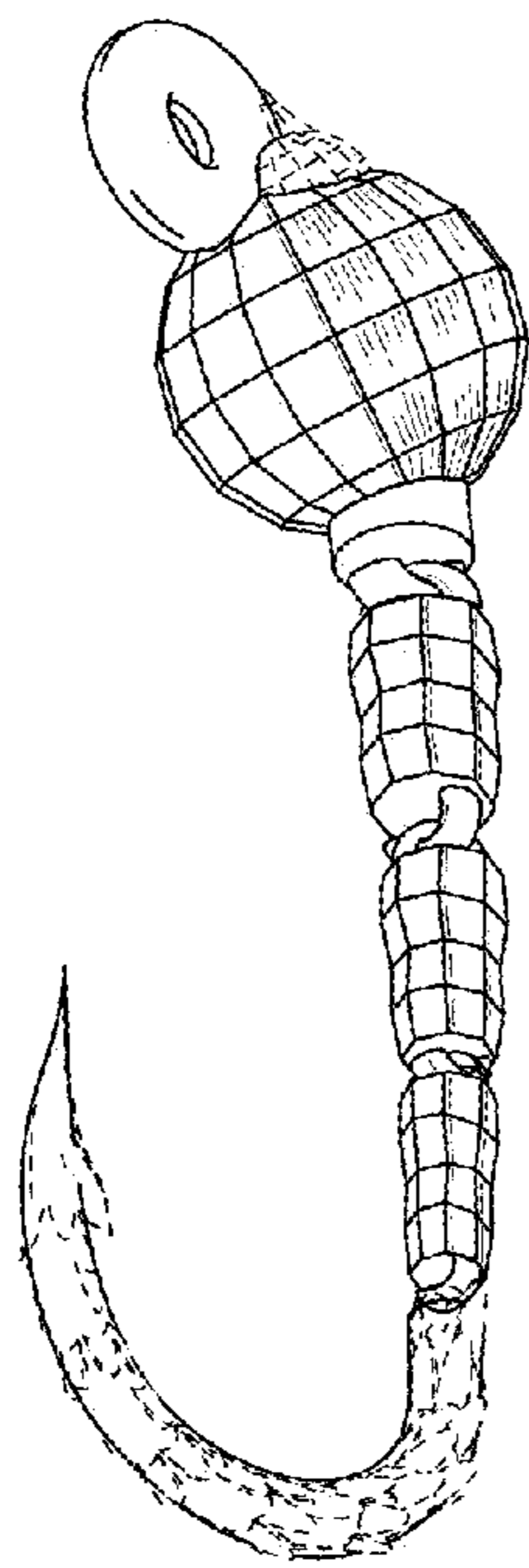


FIG. 7

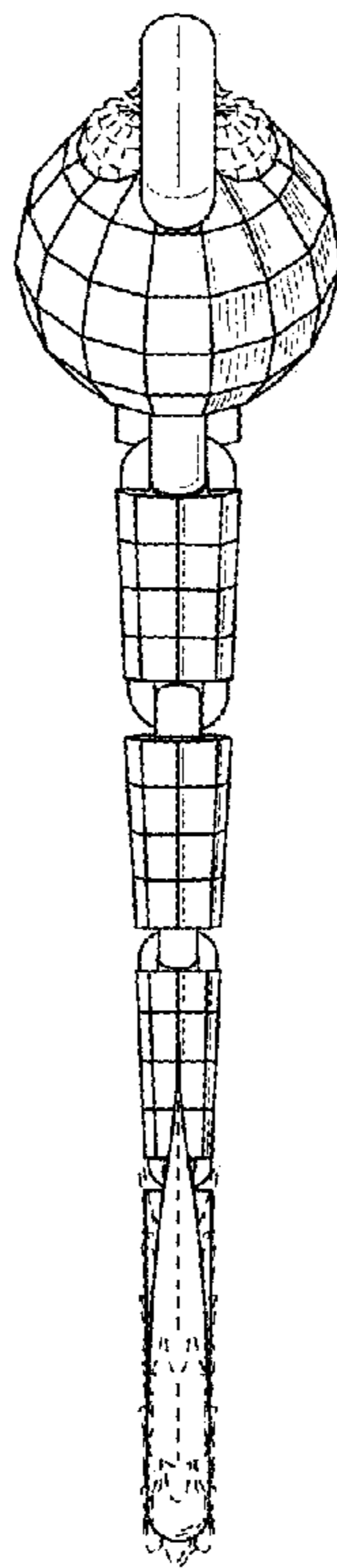


FIG. 8

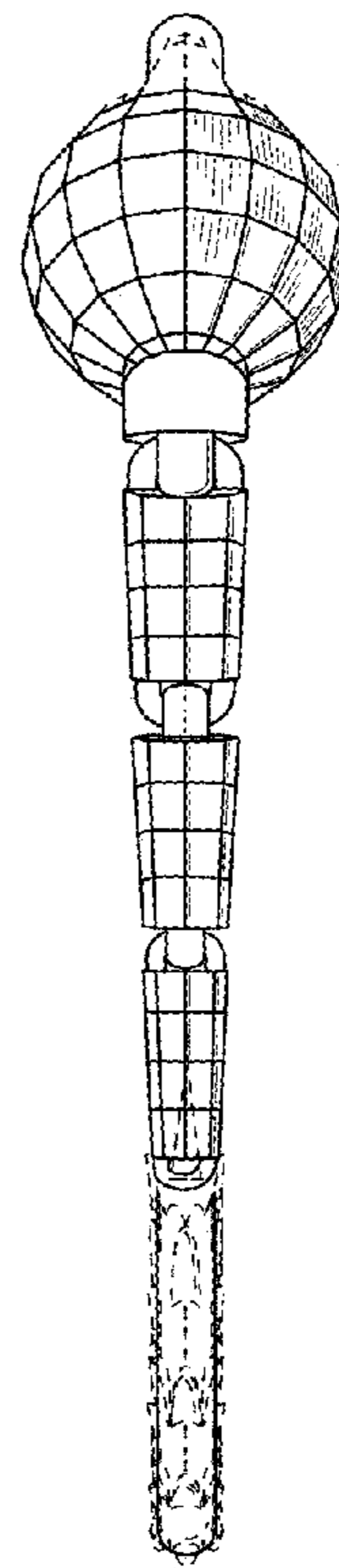


FIG. 9

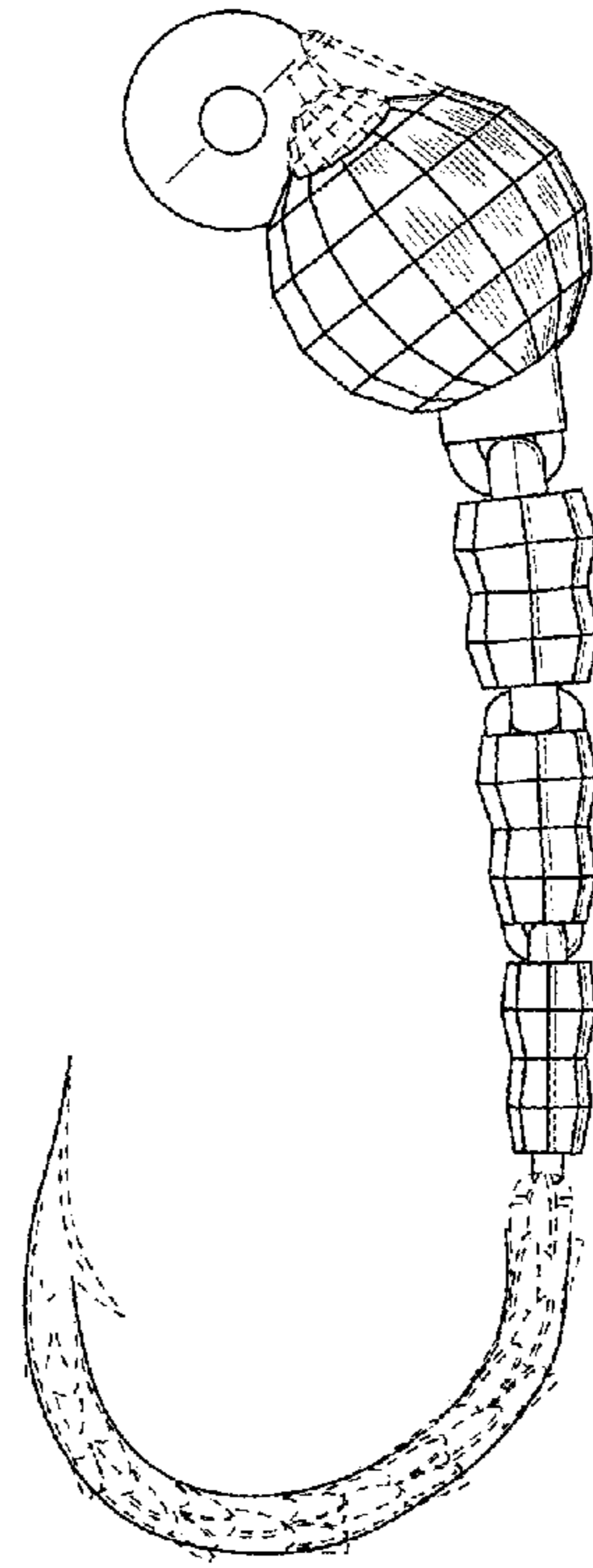


FIG. 10

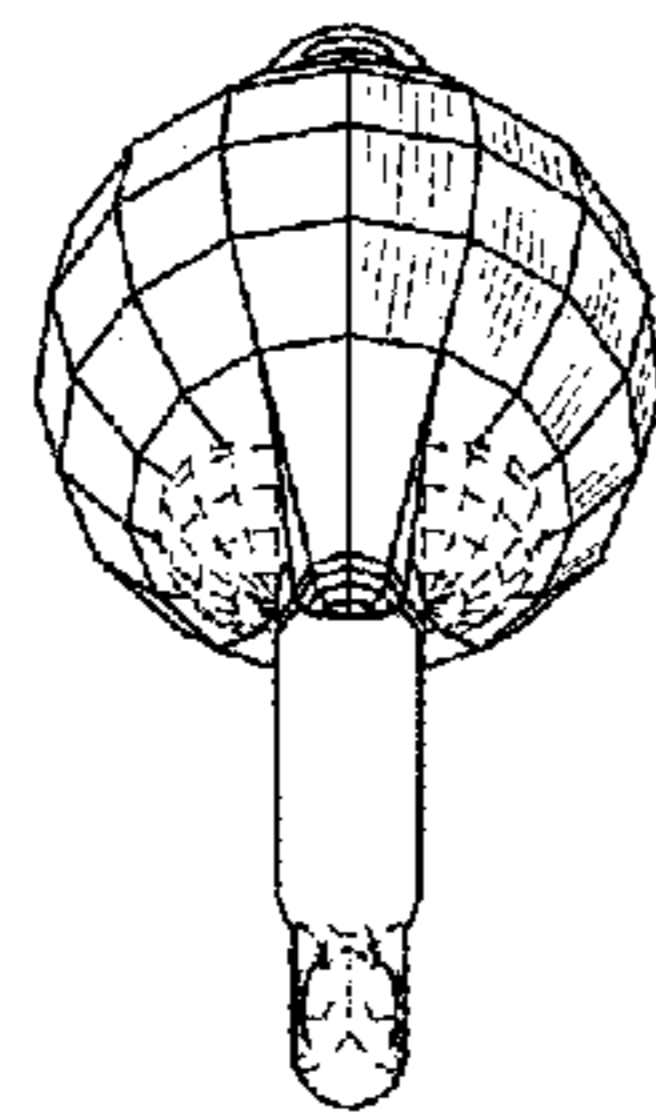


FIG. 11

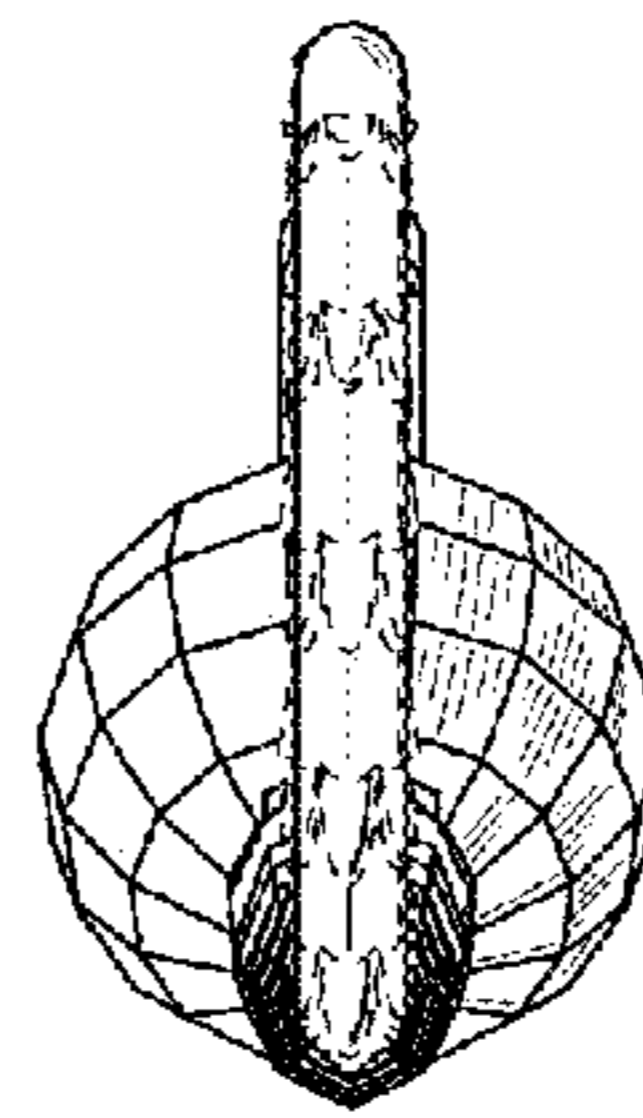


FIG. 12