



US00D707784S

(12) **United States Design Patent**
Cragie

(10) **Patent No.:** **US D707,784 S**

(45) **Date of Patent:** **** Jun. 24, 2014**

(54) **GUN LIGHT**

(71) Applicant: **Deben Group Industries Limited,**
Woodbridge (GB)

(72) Inventor: **Dave Cragie,** Southwold (GB)

(73) Assignee: **Deben Group Industries Limited,**
Melton, Woodbridge, Suffolk (GB)

(**) Term: **14 Years**

(21) Appl. No.: **29/447,831**

(22) Filed: **Mar. 7, 2013**

(30) **Foreign Application Priority Data**

Sep. 20, 2012 (EM) 002106591

(51) **LOC (10) Cl.** **22-01**

(52) **U.S. Cl.**
USPC **D22/108**

(58) **Field of Classification Search**
USPC D22/108-109; D26/24-27, 38, 40, 42,
D26/46-47, 51, 60, 113, 118, 130-133,
D26/136; 362/157-158, 183, 184, 190, 194,
362/195, 196, 197, 202-208; 42/123-124,
42/127, 131-132, 146

See application file for complete search history.

(56) **References Cited**

U.S. PATENT DOCUMENTS

D267,157 S * 12/1982 Kong D10/114.2
D333,041 S * 2/1993 Choi et al. D6/354
D441,474 S * 5/2001 Poon D26/45
D510,402 S * 10/2005 Owens D22/108
8,656,625 B2 * 2/2014 Holmberg 42/90

* cited by examiner

Primary Examiner — Michael A Pratt

(74) *Attorney, Agent, or Firm* — McGarry Bair PC

(57) **CLAIM**

The ornamental design for a gun light, as shown and described.

DESCRIPTION

FIG. 1 is an isometric view of the embodiment of gun light, from the front and right side;

FIG. 2 is an isometric view of the embodiment of gun light, from the rear and right side;

FIG. 3 is a view from the left side of the embodiment of gun light;

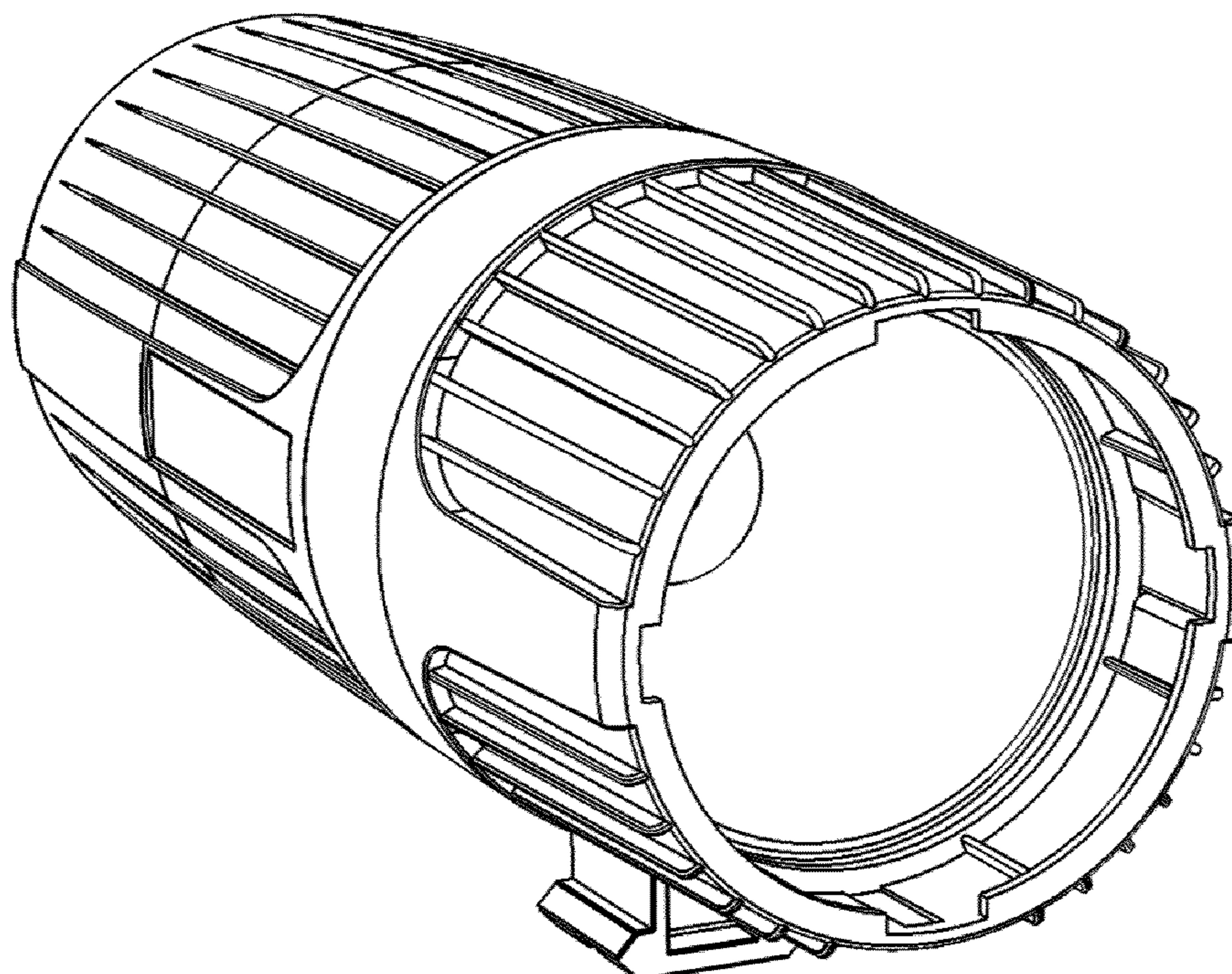
FIG. 4 is a front view of the embodiment of gun light;

FIG. 5 is a rear view of the embodiment of gun light;

FIG. 6 is a plan view of the left side of the embodiment of gun light; and,

FIG. 7 is an under plan view of the embodiment of gun light.

1 Claim, 2 Drawing Sheets



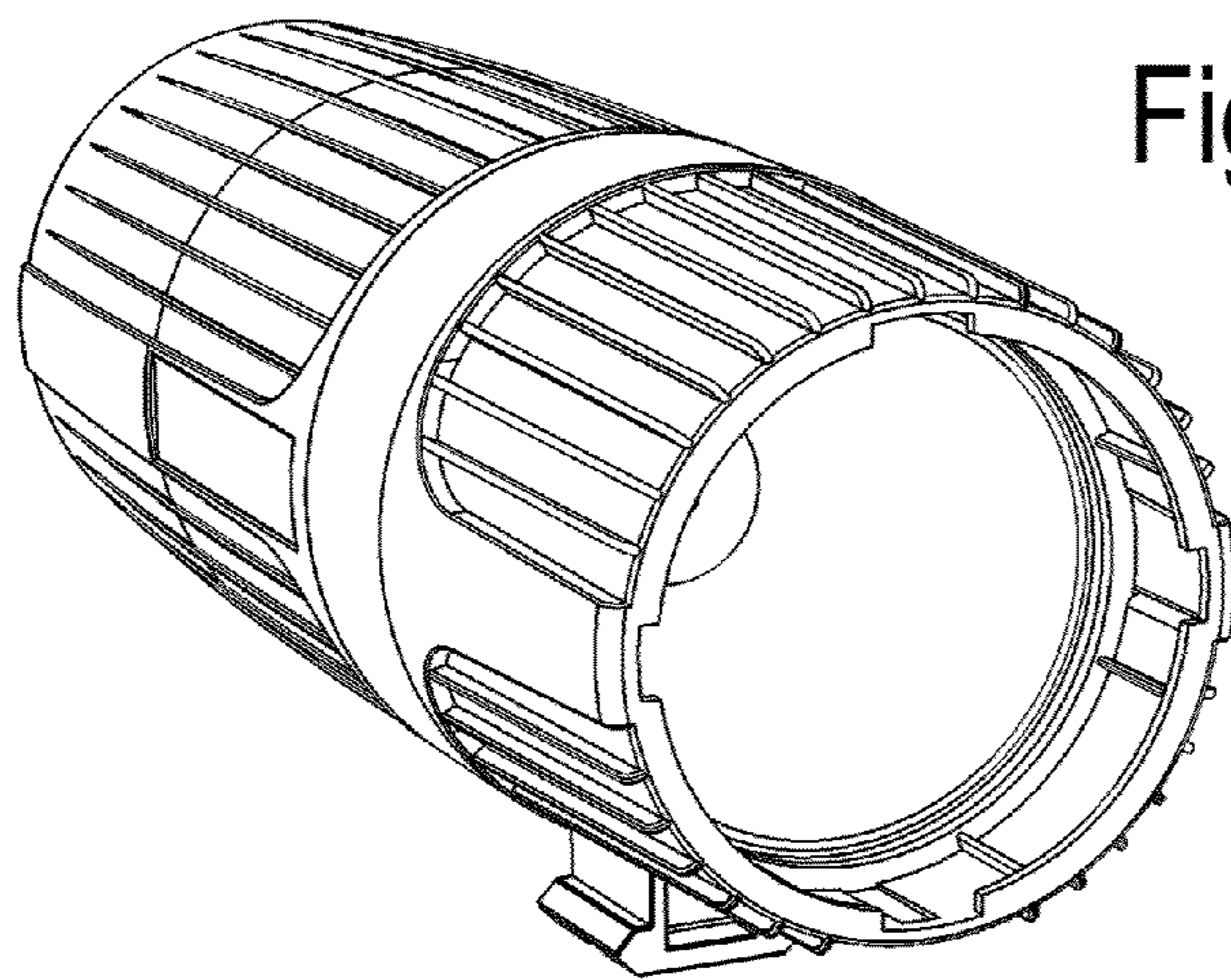


Fig.1

Fig.2

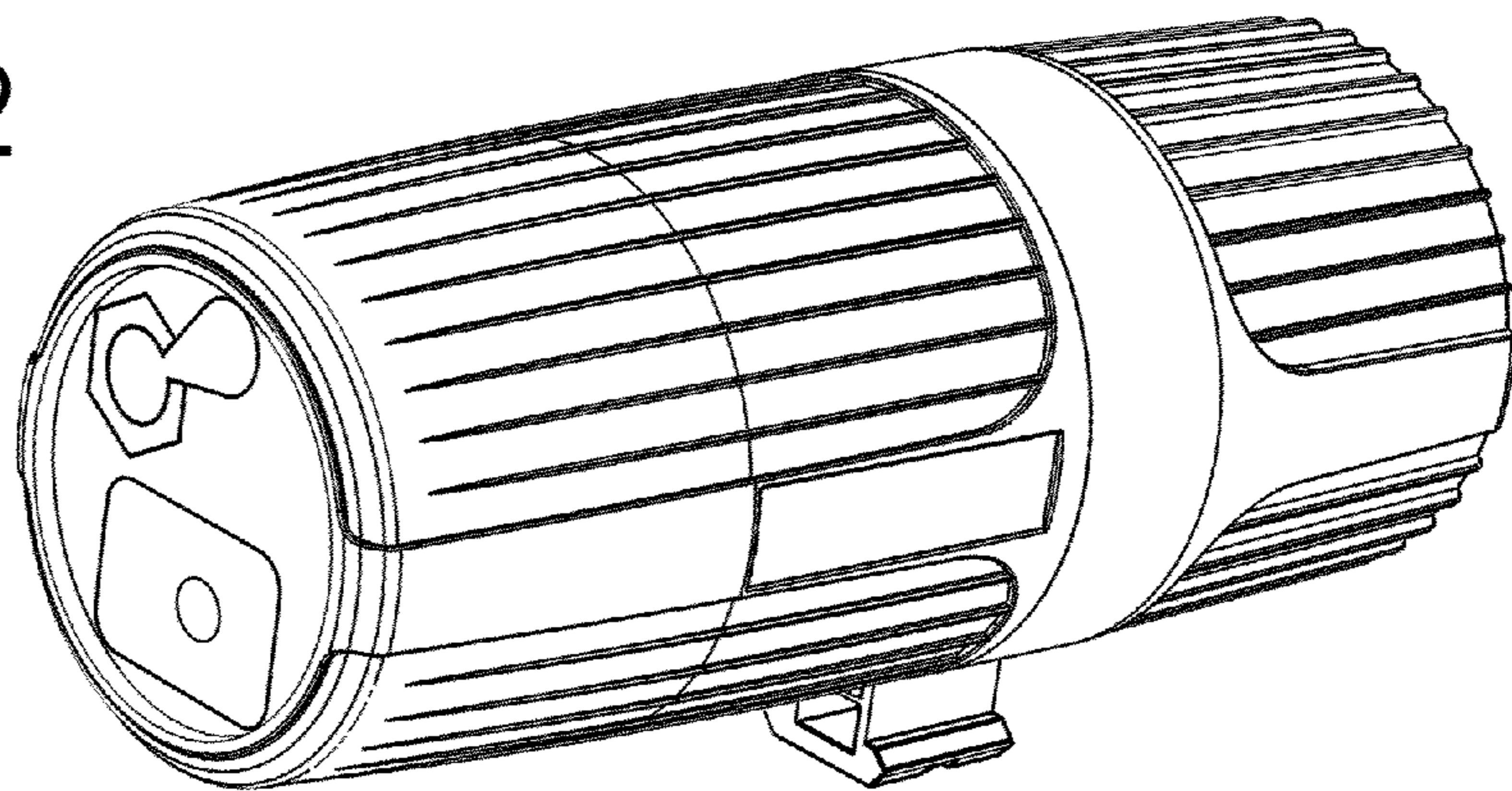


Fig.3

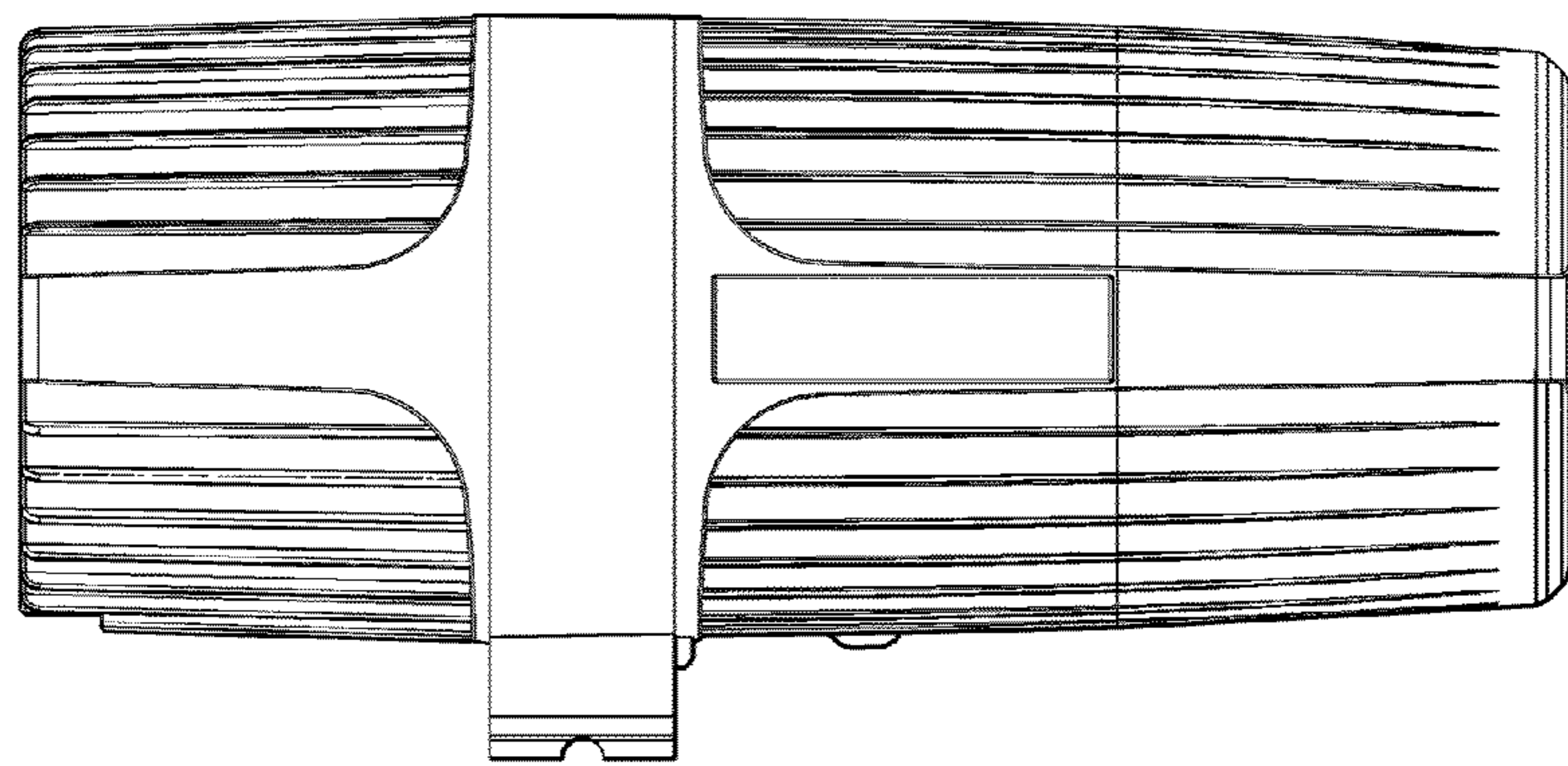


Fig.4

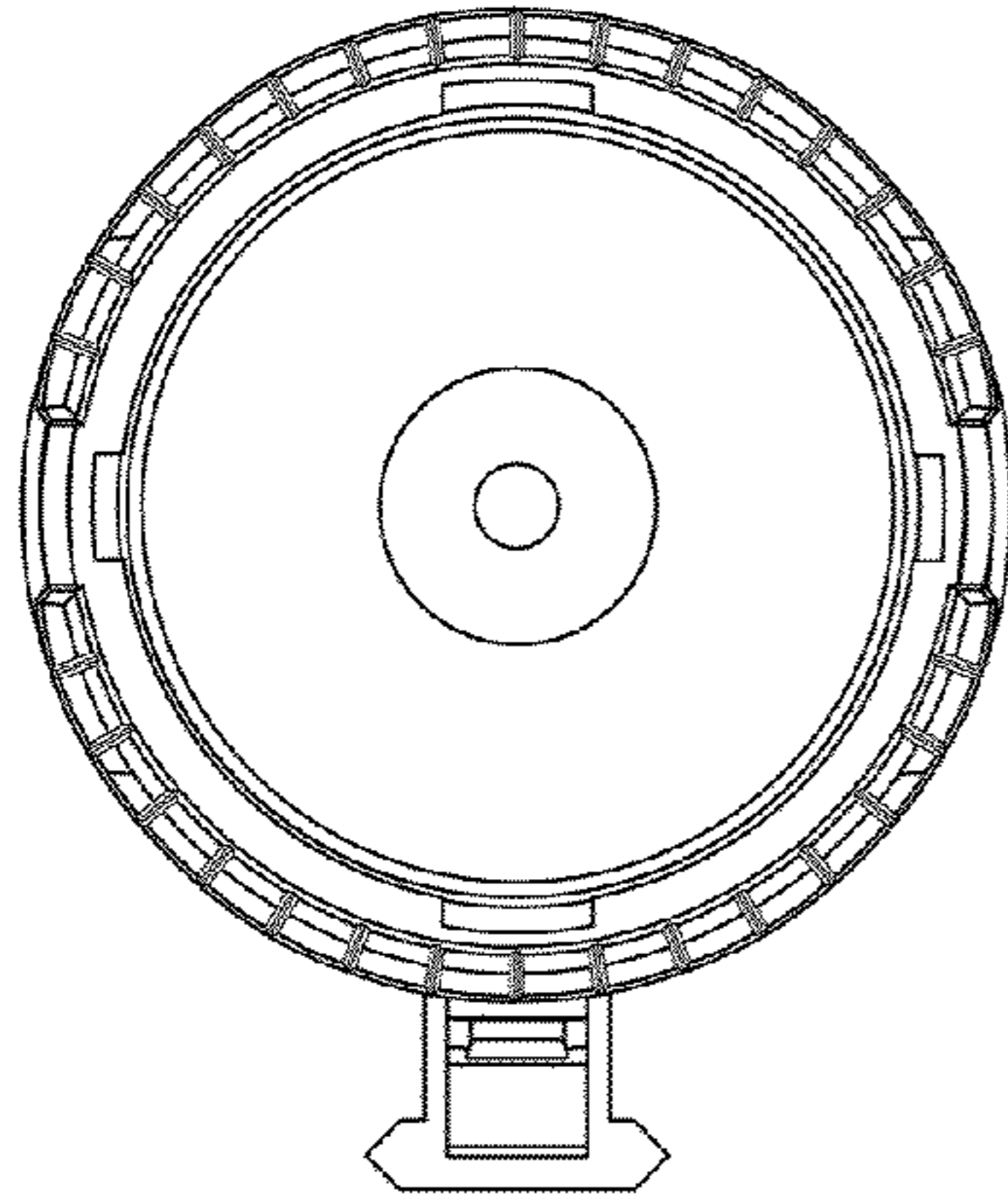


Fig.5

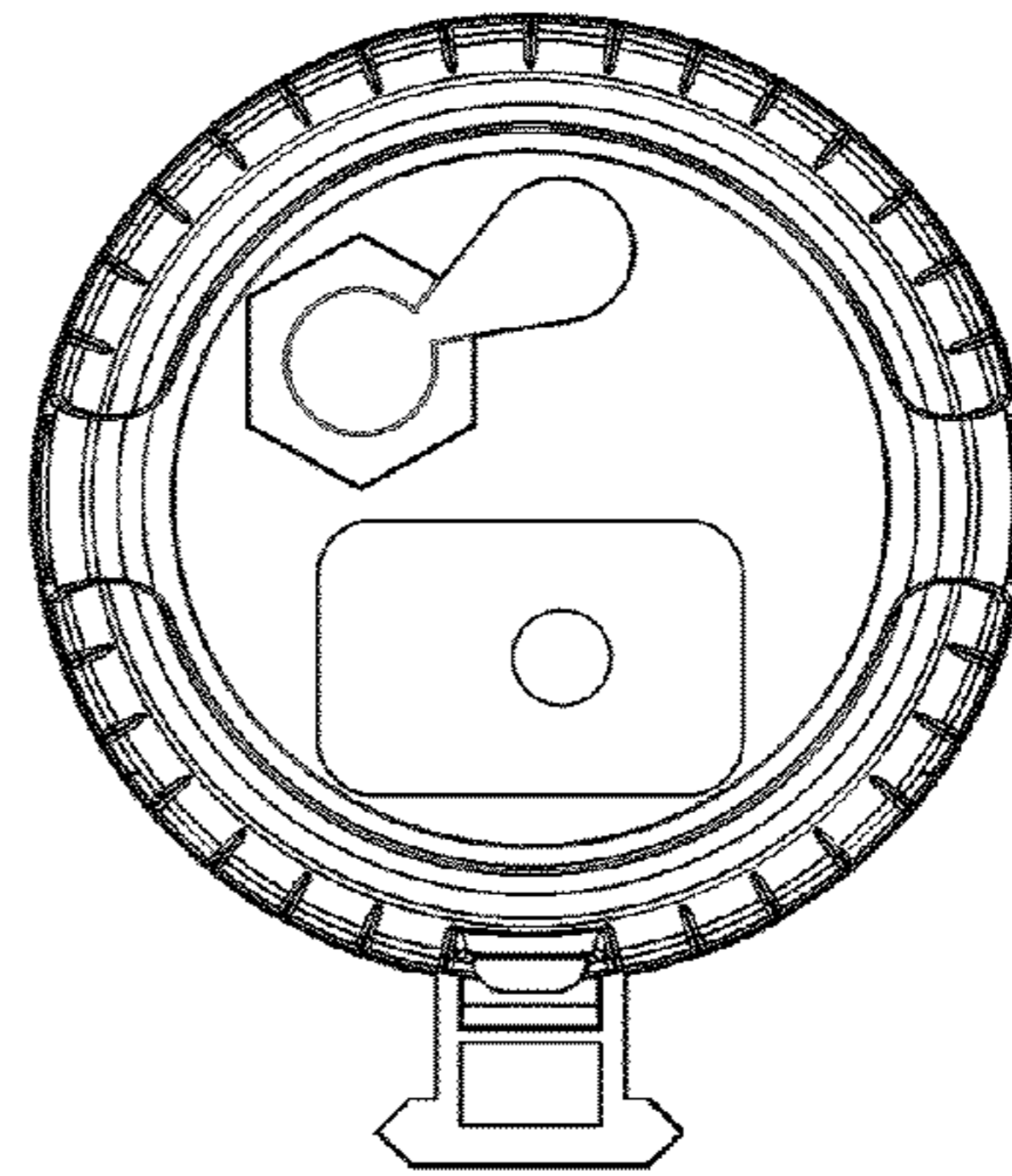


Fig.6

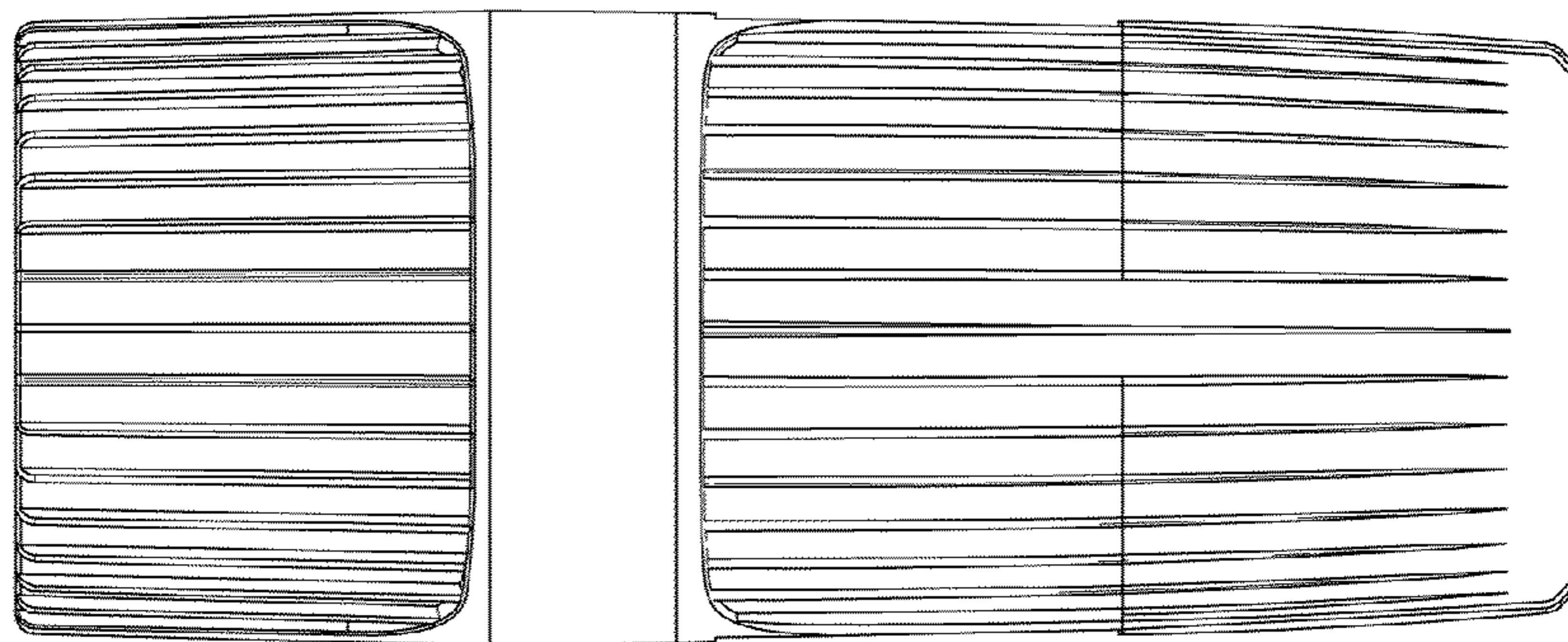


Fig.7

