



US00D707783S

(12) **United States Design Patent**
Kielsmeier et al.

(10) **Patent No.:** **US D707,783 S**
(45) **Date of Patent:** **** Jun. 24, 2014**

(54) **FIREARM MAGAZINE**

(71) Applicant: **Magpul Industries Corporation**, Erie, CO (US)

(72) Inventors: **Nick Kielsmeier**, Thornton, CO (US); **Thomas Ward, Jr.**, Thornton, CO (US); **Richard Fitzpatrick**, Longmont, CO (US); **Michael T. Mayberry**, Denver, CO (US); **Brad Bennett**, Lafayette, CO (US); **Brian Nakayama**, Arvada, CO (US)

(73) Assignee: **Magpul Industries Corporation**, Erie, CO (US)

(**) Term: **14 Years**

(21) Appl. No.: **29/440,889**

(22) Filed: **Dec. 28, 2012**

(51) **LOC (10) Cl.** **22-01**

(52) **U.S. Cl.**
USPC **D22/108**

(58) **Field of Classification Search**
USPC D22/108; 89/33.1, 40.06, 37.04, 33.04, 89/191.01; 124/45, 66, 67, 74; 42/6, 7, 42/49.01–49.02, 50, 49.1
See application file for complete search history.

(56) **References Cited**

U.S. PATENT DOCUMENTS

4,100,694	A	7/1978	Musgrave	
4,139,959	A	2/1979	Howard	
4,484,404	A	11/1984	Johnson	
4,586,281	A *	5/1986	Chesnut	42/50
4,617,749	A	10/1986	Jurek	
4,628,627	A	12/1986	Johnson	
D297,854	S	9/1988	Vyprachticky	
5,099,595	A *	3/1992	Chesnut et al.	42/50
D362,044	S	9/1995	Snieszak	
D593,635	S	6/2009	Fitzpatrick	

7,562,482	B1	7/2009	Johnson
D600,303	S	9/2009	Fitzpatrick
D614,719	S	4/2010	Fitzpatrick
D614,720	S	4/2010	Fitzpatrick
D614,721	S	4/2010	Fitzpatrick

(Continued)

OTHER PUBLICATIONS

Design U.S. Appl. No. 29/410,910, filed Jan. 13, 2012, "PMAG 30M3 Firearm Magazine" by Fitzpatrick.

(Continued)

Primary Examiner — Michael A Pratt

(74) *Attorney, Agent, or Firm* — Swanson & Bratschun, L.L.C.

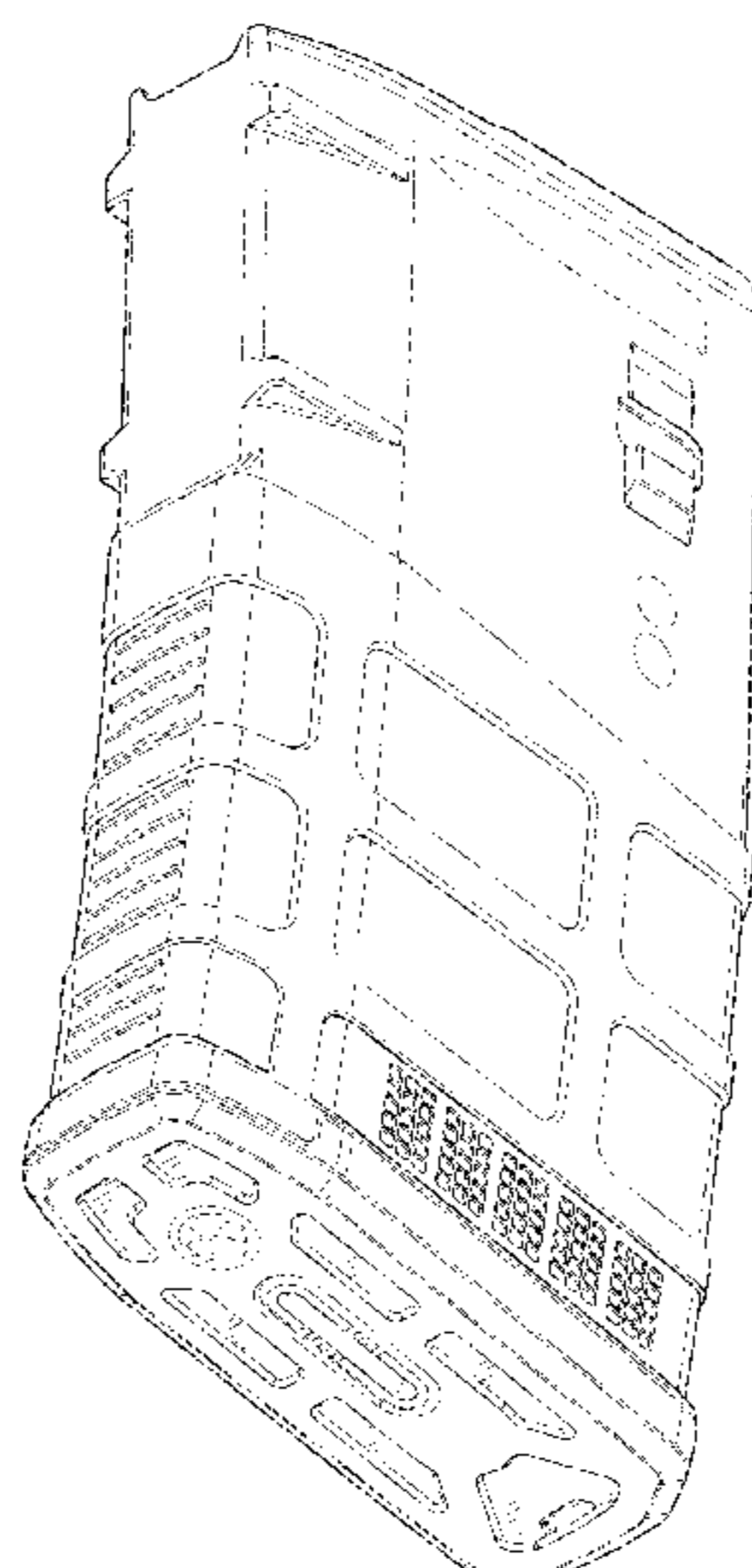
(57) **CLAIM**

The ornamental design for a firearm magazine, as shown and described.

DESCRIPTION

FIG. 1 is a left, bottom, front perspective view of a firearm magazine showing our new design; FIG. 2 is a right side elevation view of the firearm magazine of FIG. 1; FIG. 3 is a left side elevation view of the firearm magazine of FIG. 1; FIG. 4 is a top plan view of the firearm magazine of FIG. 1; FIG. 5 is a bottom plan view of the firearm magazine of FIG. 1; FIG. 6 is a front elevation view of the firearm magazine of FIG. 1; FIG. 7 is a rear elevation view of the firearm magazine of FIG. 1; and, FIG. 8 is a bottom, right, rear perspective view of the firearm magazine of FIG. 1. The broken lines showing portions of the design in all figures is included for the purpose of illustrating environment and unclaimed features and forms not part of the claimed design.

1 Claim, 6 Drawing Sheets



(56)

References Cited

U.S. PATENT DOCUMENTS

D616,057	S	5/2010	Fitzpatrick
D620,544	S	7/2010	Fitzpatrick
D620,545	S	7/2010	Fitzpatrick
7,798,045	B1	9/2010	Fitzpatrick
D632,752	S	2/2011	Fitzpatrick et al.
D633,164	S	2/2011	Fitzpatrick
D633,589	S	3/2011	Fitzpatrick
D633,590	S	3/2011	Fitzpatrick
7,958,660	B2	6/2011	Fitzpatrick et al.
D642,234	S	7/2011	Marfione
D642,647	S	8/2011	Fitzpatrick et al.
8,061,255	B1	11/2011	Boberg
D678,455	S	3/2013	Hatfield
D680,613	S	4/2013	Fitzpatrick
D681,151	S	4/2013	Fitzpatrick
D695,378	S	12/2013	Fitzpatrick
2010/0251590	A1	10/2010	Fitzpatrick
2012/0066950	A1	3/2012	Davidson
2012/0317857	A1	12/2012	Fitzpatrick et al.
2013/0086834	A1	4/2013	Battaglia

OTHER PUBLICATIONS

Design U.S. Appl. No. 29/420,155, filed May 4, 2012, "Translucent Magazine for a Firearm" by Fitzpatrick.

Design U.S. Appl. No. 29/423,116, filed May 29, 2012, "M3 10 Magazine" by Bennett.

Design U.S. Appl. No. 29/423,117, filed May 29, 2012, "M3 20 Magazine" by Bennett.

Design U.S. Appl. No. 29/440,787, filed Dec. 27, 2012, "Firearm Magazine" by Mayberry.

Design U.S. Appl. No. 29/440,792, filed Dec. 27, 2012, "Firearm Magazine with Window" by Kielsmeier.

Design U.S. Appl. No. 29/450,963, filed Mar. 26, 2013, "Magazine for a Firearm" by Nakayama.

Design U.S. Appl. No. 29/450,964, filed Mar. 26, 2013, "Magazine for a Firearm" by Nakayama.

Brownells 2012 AR15-M16 20-30-Round Magazines
Brownells (2012) AR-15/M16 20- & 30-Round Magazines; Website [Online] Available Web Site: <http://www.brownells.com/asp/pid=21225/Product/AR-15-M16-20-30-ROUND-MAGAZINES>; Last Update: unknown; Accessed on May 4, 2012.

Brownells AR-15/M16 Tactical Magazine Brownells (Apr. 20, 2010) AR-15/M16 Tactical Magazine; Website [Online] Available Web Site: http://www.brownells.com/asp/pid=24307/Product/AR_15_M16_TACTICAL_MAGAZINE; Last Update: Unknown; Accessed on: Apr. 20, 2010.

Cheaperthandirt.com 2010 Mag AR-15 223 Orlite
Cheaperthandirt.com (Apr. 20, 2010) Mag AR-15.223 Orlite 30 Round Israeli Shows Field Use; Website [Online] Available Web Site: <http://www.cheaperthandirt.com/MAG105-1.html>; Last Update: Unknown; Accessed on: Apr. 20, 2010.

EMA Tactical CDMAG Countdown Magazine EMA Tactical (Apr. 20, 2010) CDMAG Countdown Magazine; Website [Online] Available Web Site: <http://www.ematactical.com/viewProduct.asp?ID=278&catID=8>; Last Update: Unknown, Accessed on: Apr. 20, 2010.

Foltz (Feb. 21, 2007) 5.56mm 30 Round Magazine Improvement Programs; PDF [Online] Available Web Site: <http://www.dtic.mil/ndia/2006smallarms/foltz.pdf> Last Update: Feb. 21, 2007; Accessed on: Apr. 20, 2010.

Gunbroker.com 2010 Eagle International 223 Polymer Magazine Gunbroker.com (Apr. 20, 2010) Eagle International 223 Polymer Magazine 223; Website [Online] Available Web Site: <http://www.gunbroker.com/Auction/ViewItem.aspx?Item=164602069#PIC>; Last Update: Unknown; Accessed on: Apr. 20, 2010.

HKParts.net 2010 HK G36 30 Round Magazine HKParts.net (Apr. 20, 2010) HK G36 30 Round Magazine; Website [Online] Available Web Site: <http://www.hkparts.net/shop/pc/HK-G36-30-Round-Mag-Fits-G36-G36K-G36C-Converted-SL8-s-182p624.htm>; Last Update: Unknown; Accessed on: Apr. 20, 2010.

HKParts.net 2010 30 Round HK 416 KCI Steel 556 Magazine HKParts.net (Apr. 20, 2010) 30 Round HK 416 KCI Steel .556 Magazine; Website [Online] Available Web Site: <http://www.hkparts.net/shop/pc/30-Round-HK-416-KCI-Steel-556-Magazine-64p982.htm>; Last Update: Unknown; Accessed on: Apr. 20, 2010.

HKParts.net 2010 SL8 20 Round Single Stack Magazine HK Parts.net (May 7, 2010) SL8 20 Round Single Stack Magazine; Website [Online] Available Web Site: <http://www.hkparts.net/shop/pc/SL8-20-Round-Single-Stack-Magazine-182p805.htm>; Last Update: Jul. 6, 2010; Accessed on May 4, 2012.

Lancer Systems 2012 AWM Magazine Lancer Systems (2012) L5 AWM Magazine; Website [Online] Available Web Site: http://www.lancer-systems.com/L5_AWM.html; Last Update: Unknown; Accessed on: May 4, 2012.

Lancer Systems 2010 L5 Translucent Magazine Lancer Systems (Apr. 20, 2010) L5 Translucent Magazine; Website [Online] Available Web Site: http://www.lancer-systems.com/L5_2010_30.html; Last Update: Unknown; Accessed on: Apr. 20, 2010.

Lancer Systems 2010 L5 Translucent Magazine 20-30 Round Lancer Systems (Apr. 16, 2010) L5 Translucent Magazine 2- & 30 Round Magazines; Website [Online] Available Web Site: http://www.lancer-systems.com/L5_2010_30.html; Last Update: Nov. 14, 2010; Accessed on: May 4, 2012.

Magpul 2010 PMAG Magazines Magpul (Jan. 3, 2010) PMAG Magazines; Website [Online] Available Web Site: http://store.magpul.com/prod_detail_list/2 Last Update: Dec. 2, 2010 Accessed on: May 4, 2012.

Remtek.com 1999 Steyr AUG Magazine Group Remtek.com (Oct. 4, 1999) Steyr AUG Magazine Group; Website [Online] Available Web Site: <http://www.remtek.com/arms/steyr/aug/specs/magazine/magazine.htm> Last Update: Apr. 7, 2009; Accessed on: May 4, 2012.

Tangodown 2010 ARC-L Magazine TangoDown (Apr. 20, 2010) ARC-L Magazine; Website [Online] Available Web Site: http://tangodown.com/shop/product_info.php?products_id=126; Last Update: Unknown, Accessed on: Apr. 20, 2010.

ThermoldMagazines.com 2010 Magazines Thermoldmagazines.com (Apr. 20, 2010) Magazines; Website [Online] Available Web Site: <http://www.thermoldmagazines.com/magazines.html>; Last Update: Unknown; Accessed on: Apr. 20, 2010.

ThermoldMagazines.com 2012 M-16AR-M15-30-Magazines Thermoldmagazines.com (2012) M-16/AR-15/30-Magazine; Website [Online] Available Web Site: <http://www.thermoldmagazines.com/collections/magazines-accessories/products/m-16-ar-15-30-magazine>; Last Update: Unknown; Accessed on: May 4, 2012.

Troyind.com 2010 Troy BattleMag Troyind.com (Apr. 20, 2010) Troy BattleMag; Website [Online] Available Web Site: http://store.troyind.com/Troy_BattleMag_p/smag-sin-00bt-00.htm; Last Update: Unknown; Accessed on: Apr. 20, 2010.

Design U.S. Appl. No. 29/354,001, filed Jan. 18, 2010, "Firearm Magazine".

Design U.S. Appl. No. 29/354,005, filed Jan. 18, 2010, "Large Capacity Firearm Magazine".

Design U.S. Appl. No. 29/354,007, filed Jan. 18, 2010, "Small Capacity Firearm Magazine".

Design U.S. Appl. No. 29/354,008, filed Jan. 18, 2010, "Medium Capacity Firearm Magazine".

* cited by examiner

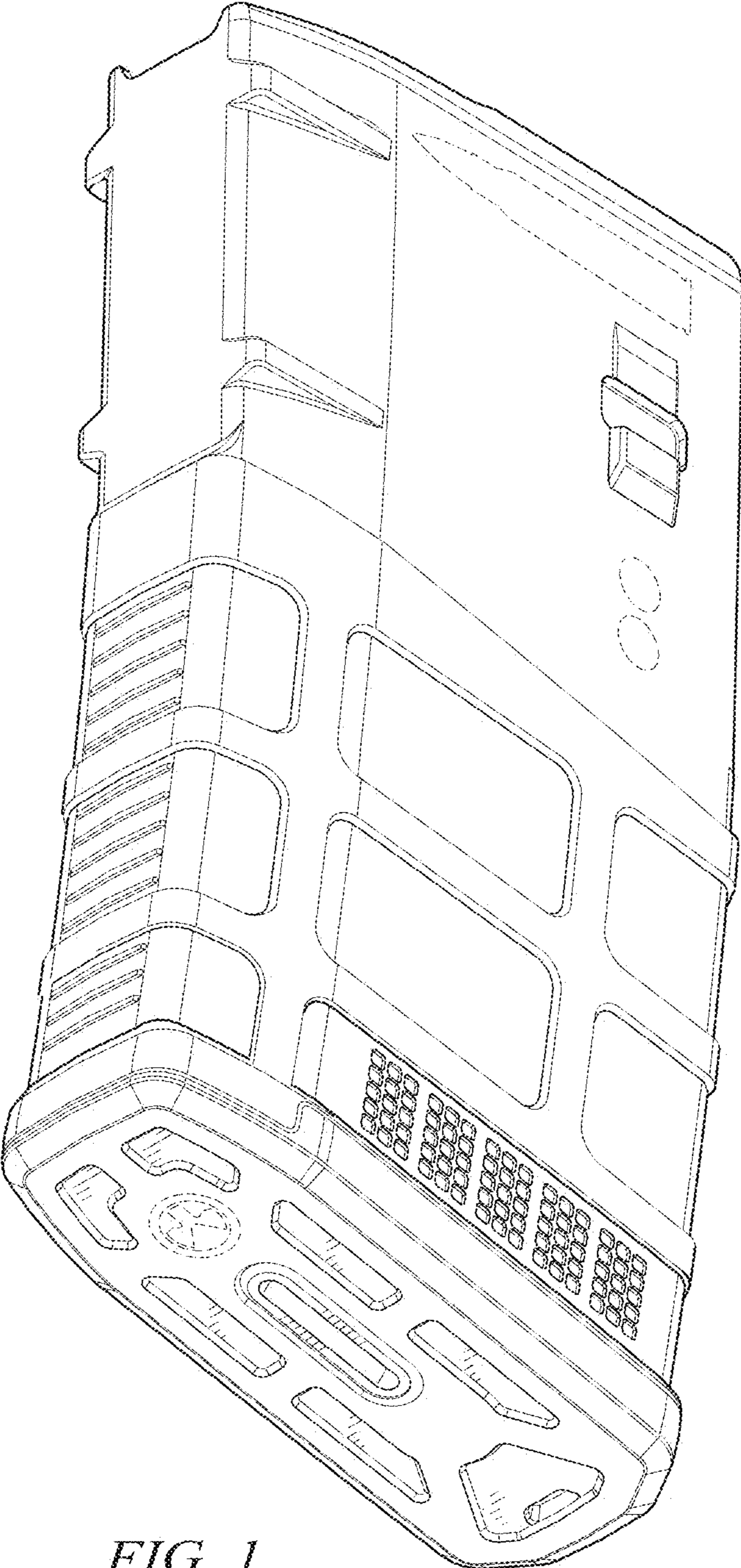


FIG. 1

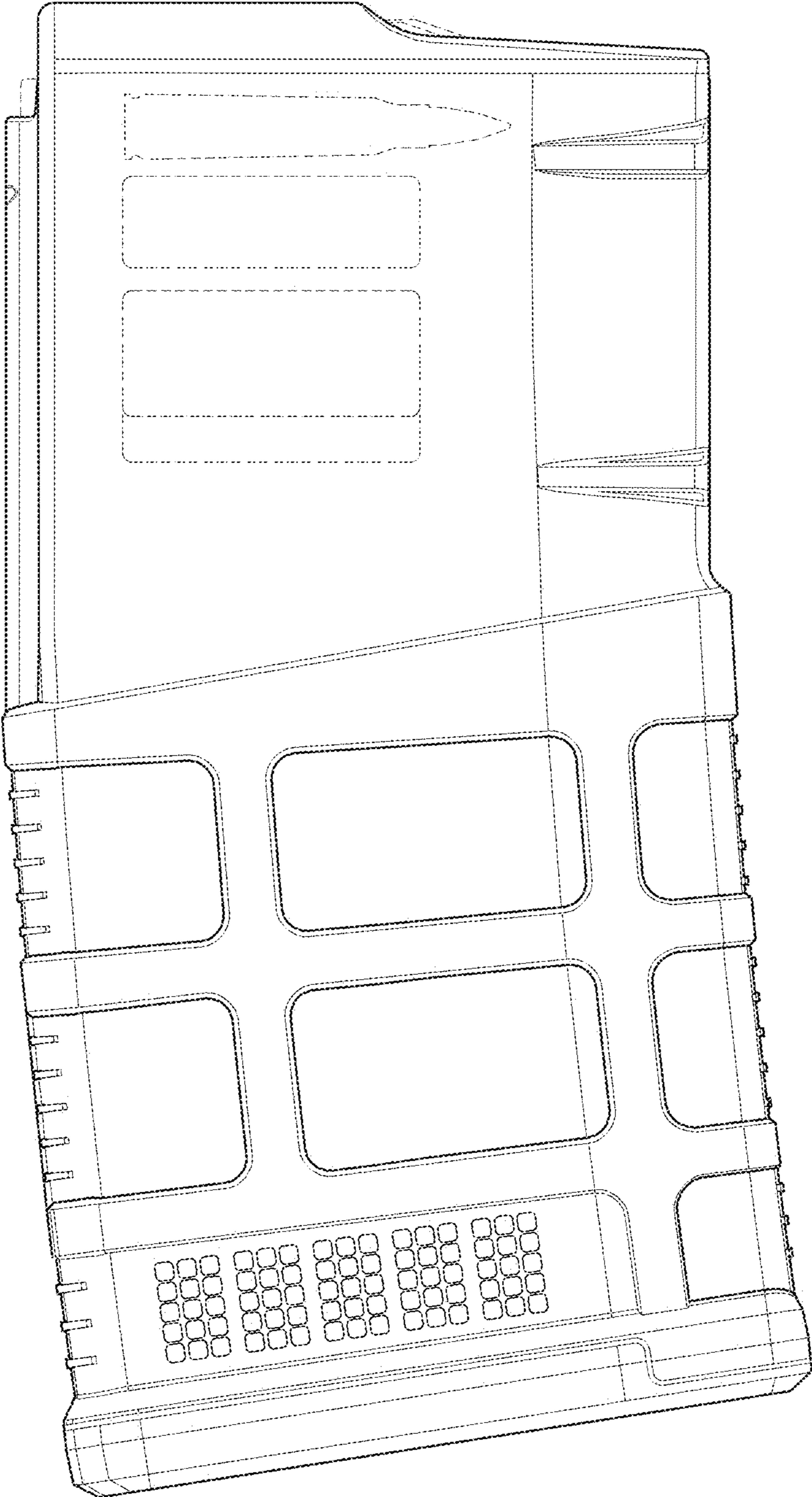


FIG. 2

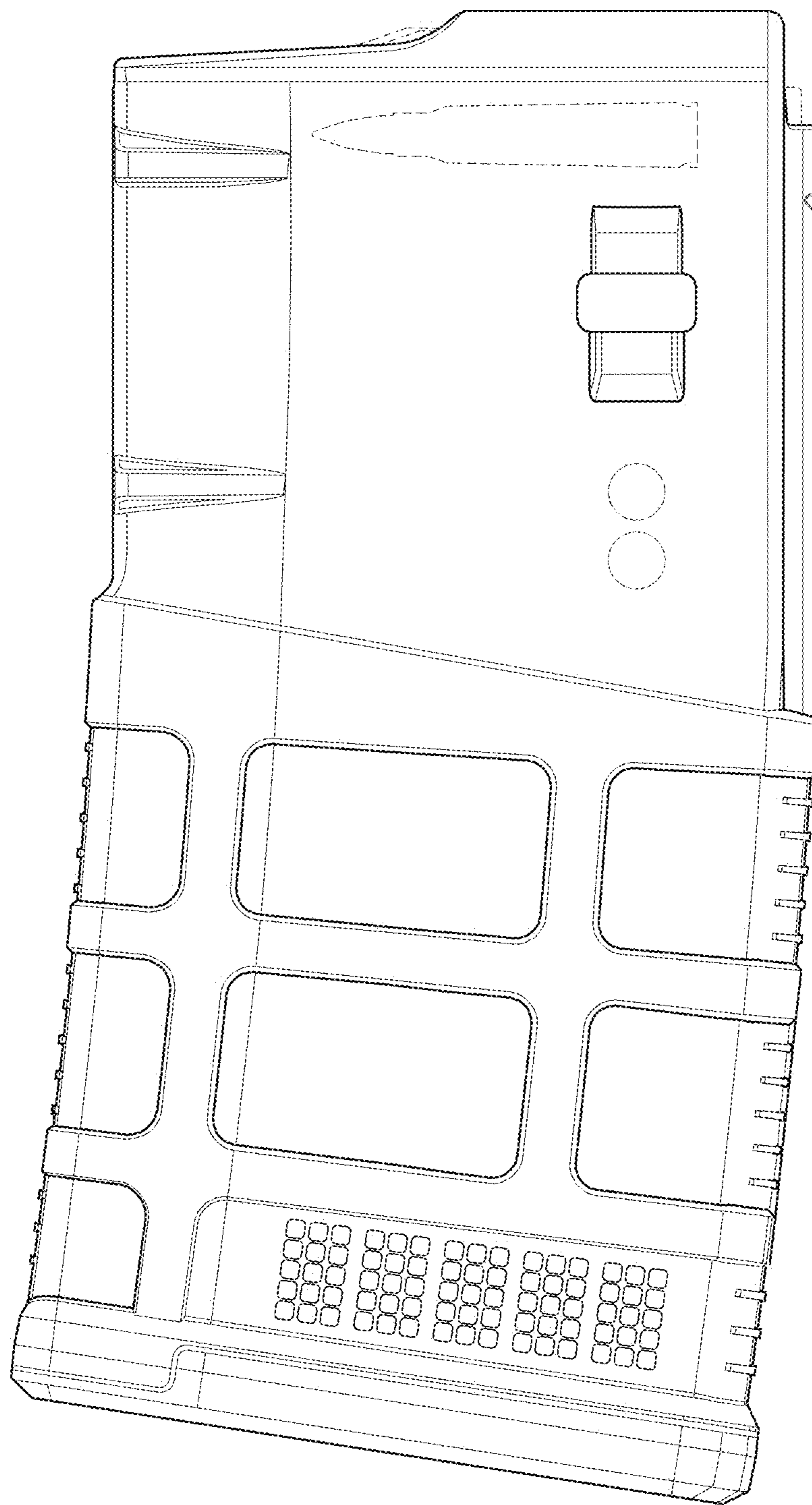


FIG. 3

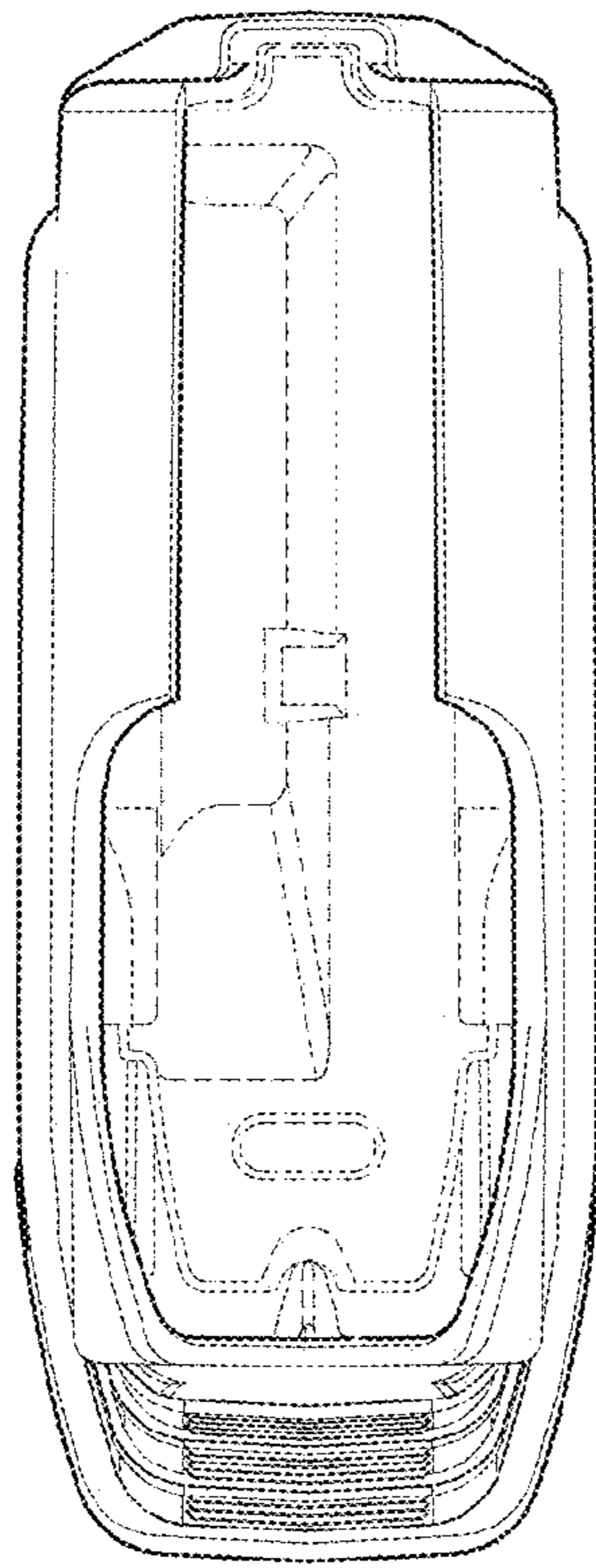


FIG. 4

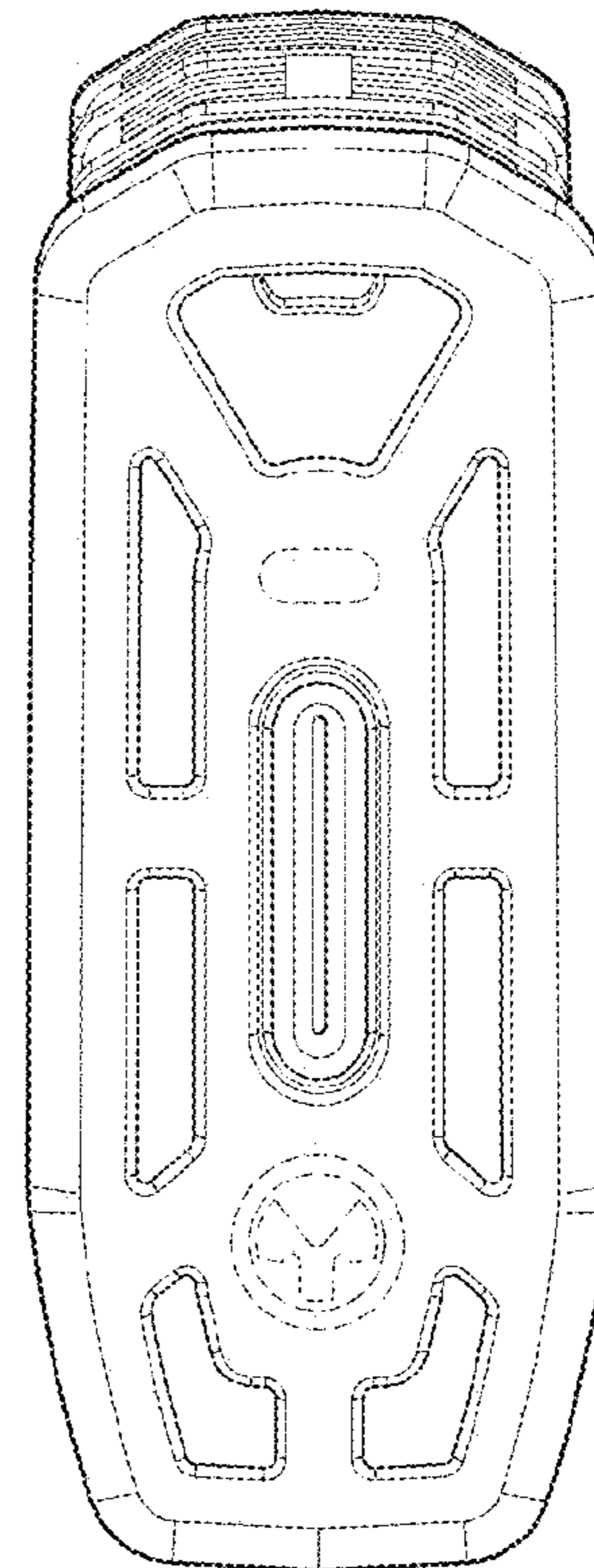


FIG. 5

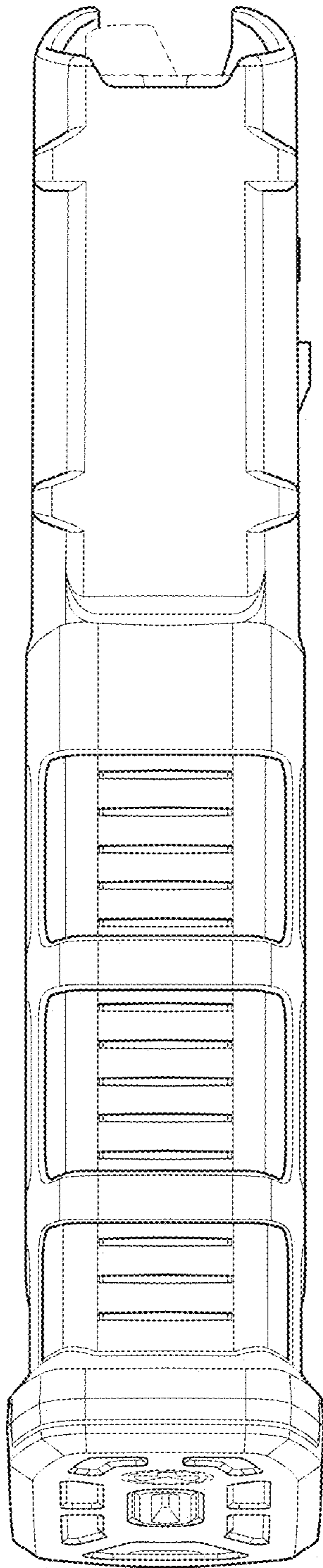


FIG. 6

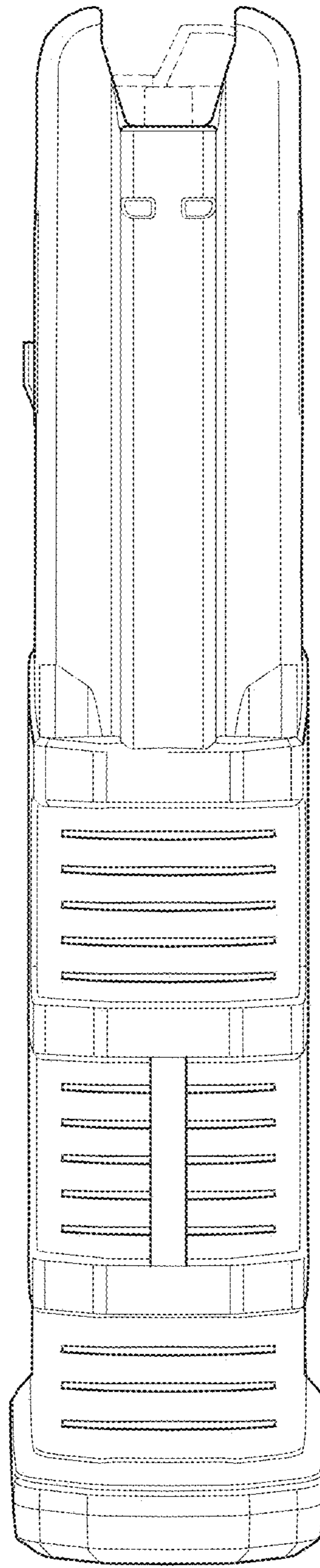


FIG. 7

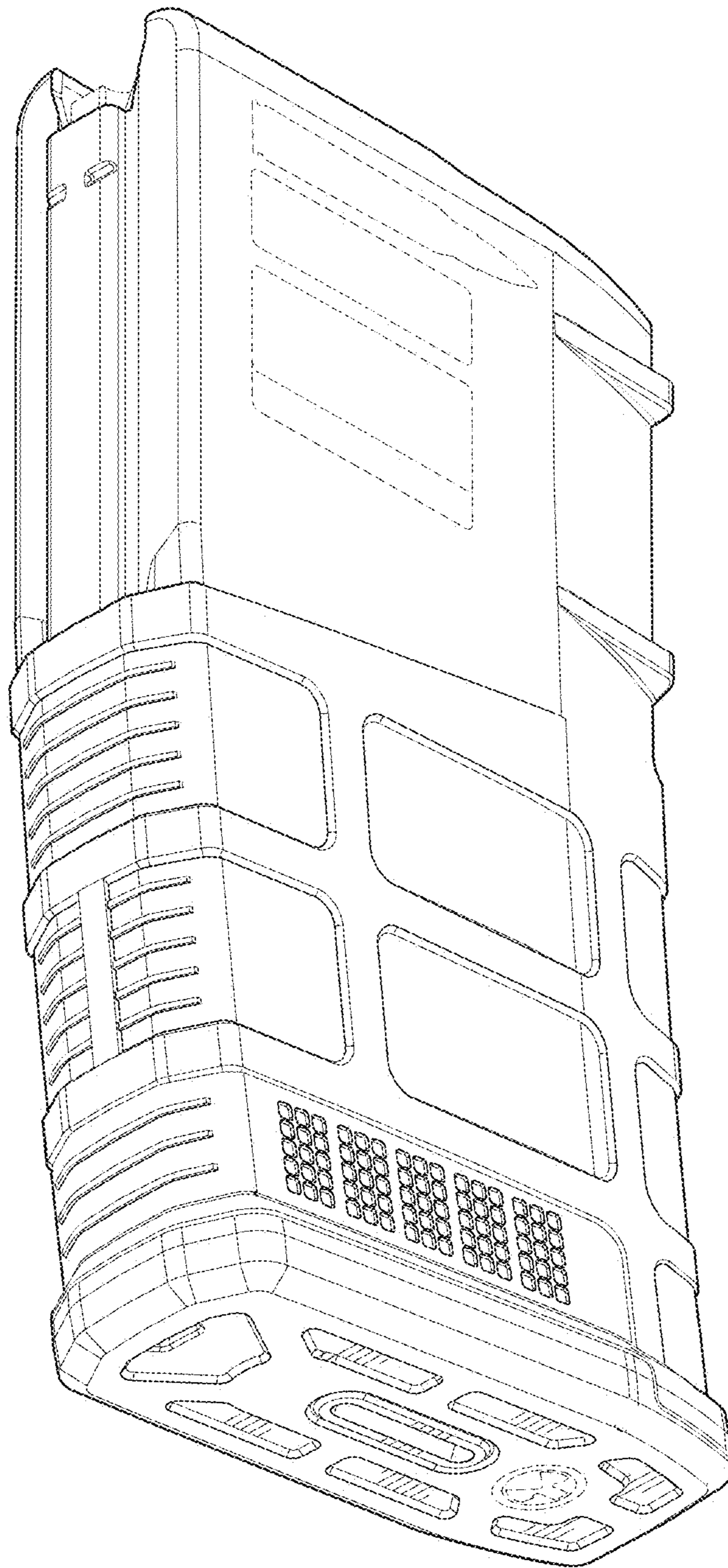


FIG. 8