



US00D707780S

(12) **United States Design Patent**
Heizer et al.

(10) **Patent No.:** **US D707,780 S**
(45) **Date of Patent:** **** Jun. 24, 2014**

(54) **PISTOL**

(75) Inventors: **Charles K. Heizer**, St. Louis, MO (US);
Thomas C. Heizer, St. Louis, MO (US);
Hedy H. Gahn, St. Louis, MO (US);
Jacob Wayne Mahn, Bloomsdale, MO (US)

(73) Assignee: **Heizer Defense, LLC**, Pevely, MO (US)

(**) Term: **14 Years**

(21) Appl. No.: **29/432,479**

(22) Filed: **Sep. 14, 2012**

(51) **LOC (10) Cl.** **22-01**

(52) **U.S. Cl.**
USPC **D22/104**

(58) **Field of Classification Search**
USPC D22/104; D21/572-575; 89/40.06,
89/41.19, 37.04, 33.04, 191.01, 200-204;
124/67, 66, 72, 74

See application file for complete search history.

(56) **References Cited**

U.S. PATENT DOCUMENTS

D234,459 S 3/1975 Lichtman
D251,913 S * 5/1979 Romano D22/104
D263,413 S 3/1982 Hillberg
D269,896 S 7/1983 Seecamp

D274,639 S * 7/1984 Seminiano D22/104
4,489,515 A * 12/1984 Numbers 42/70.01
D292,112 S 9/1987 Ruger
D359,098 S 6/1995 Stevens
D363,107 S 10/1995 Sanford
D377,513 S 1/1997 Lenkarski
D387,842 S 12/1997 Kaminski
D400,633 S 11/1998 Chapman
D574,053 S 7/2008 McGarry
D650,880 S 12/2011 McGarry
D651,275 S 12/2011 Emde
D654,978 S 2/2012 Karanian
D678,454 S * 3/2013 Emde et al. D22/104
D686,685 S * 7/2013 Kohout D22/104

* cited by examiner

Primary Examiner — Michael A Pratt

(74) *Attorney, Agent, or Firm* — CreatiVenture Law, LLC;
Dennis JM Donahue, III

(57) **CLAIM**

The ornamental design for a pistol, as shown and described.

DESCRIPTION

FIG. 1 is a perspective view;

FIG. 2 is a top view;

FIG. 3 is a left side;

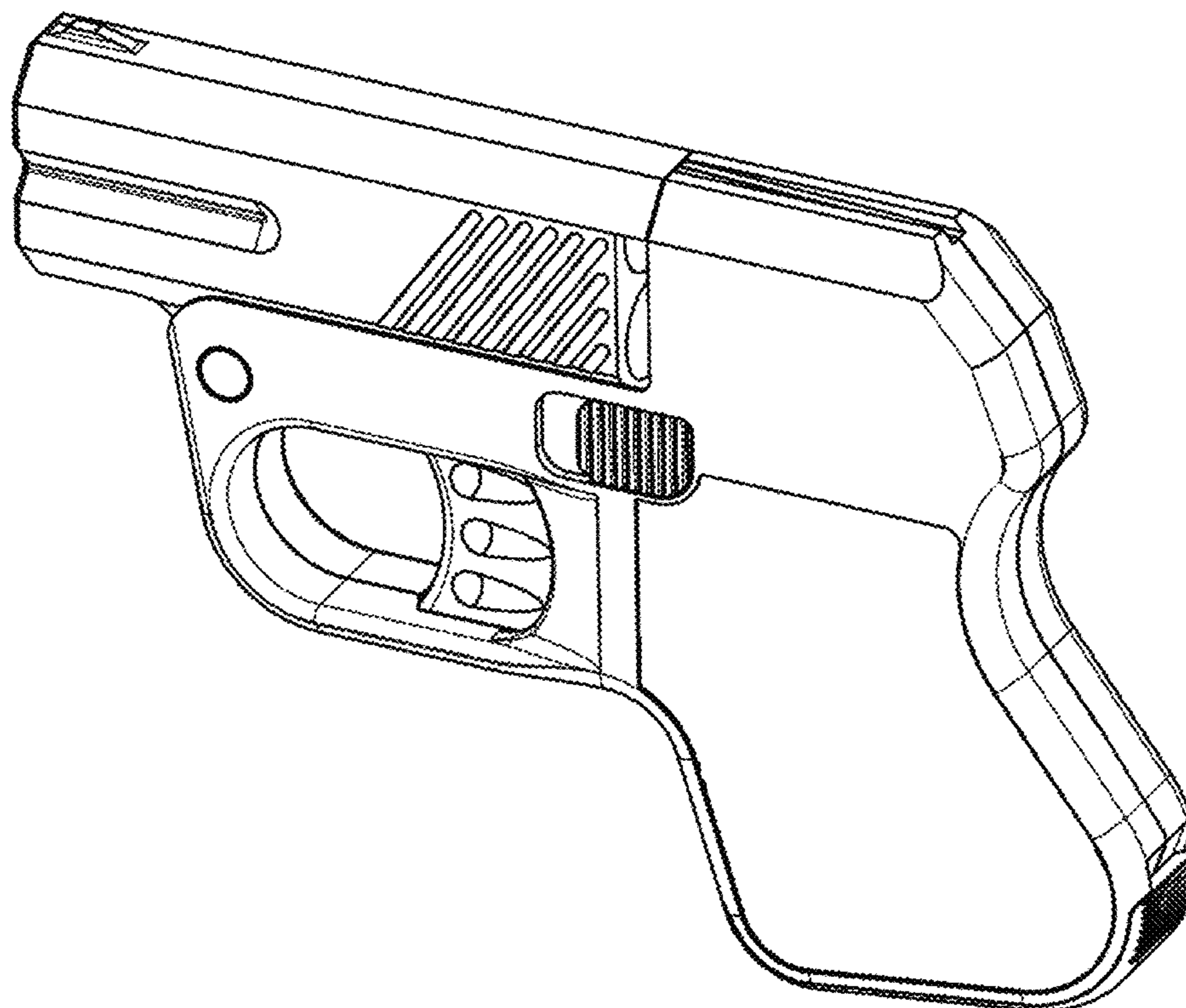
FIG. 4 is a rear view;

FIG. 5 is a front view; and,

FIG. 6 is a bottom view.

The right side view mirrors the respective left side view.

1 Claim, 3 Drawing Sheets



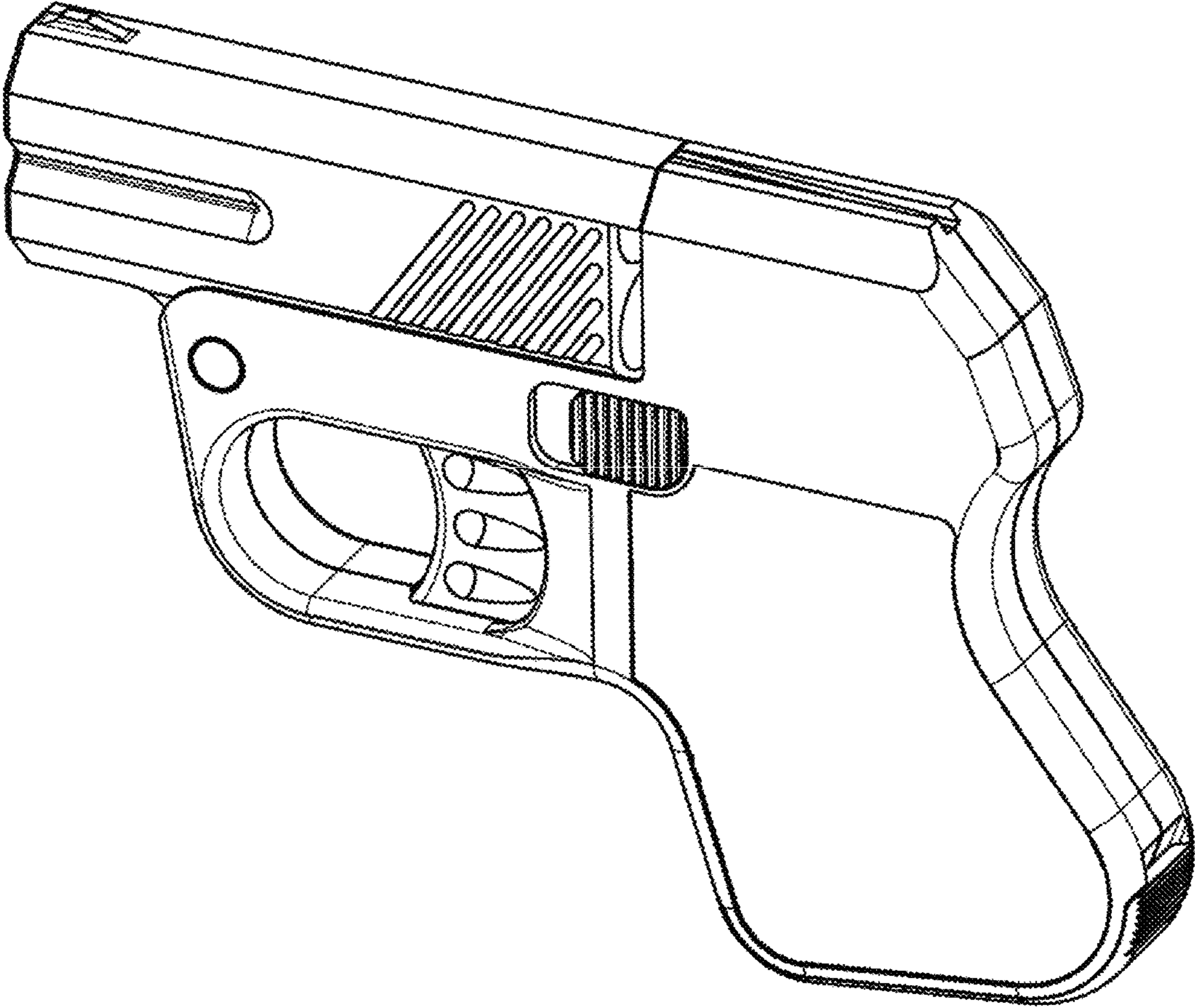


Figure 1



Figure 2

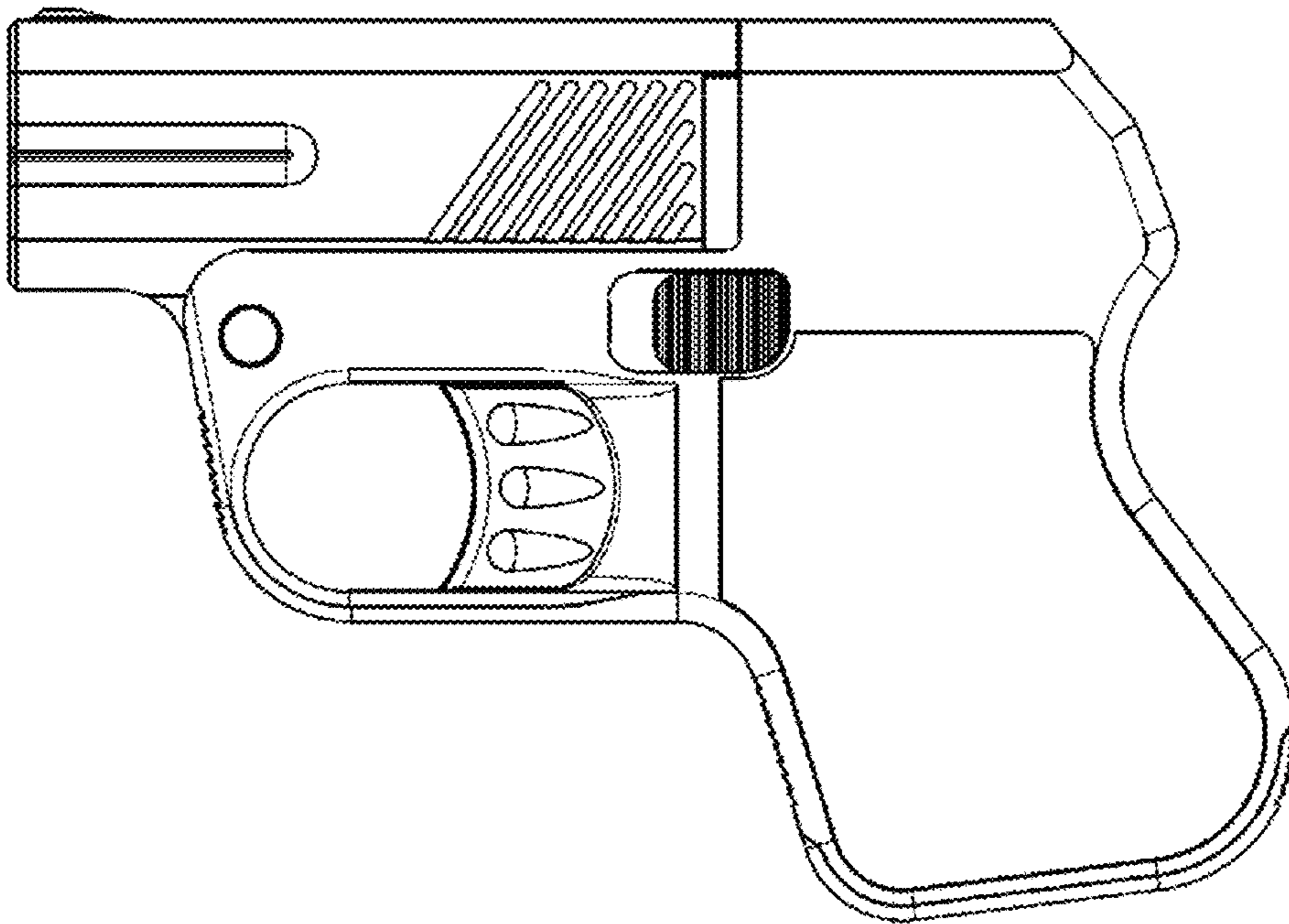


Figure 3

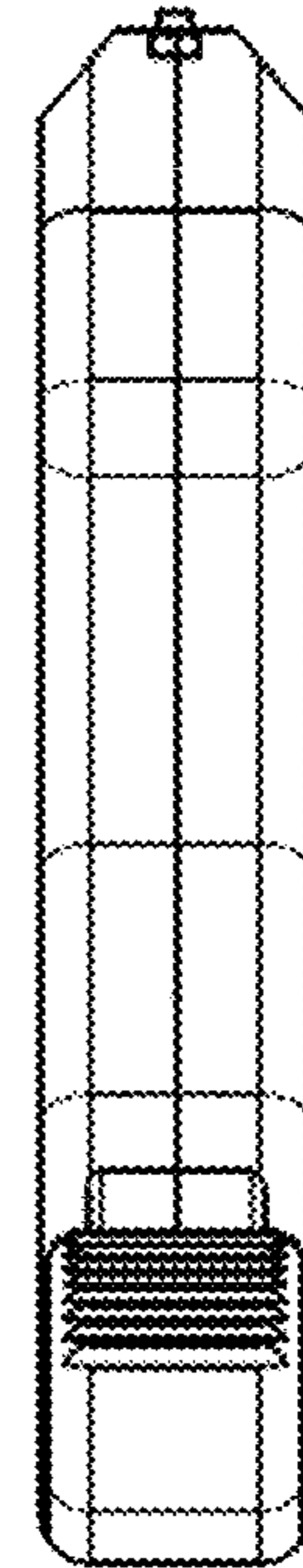


Figure 4

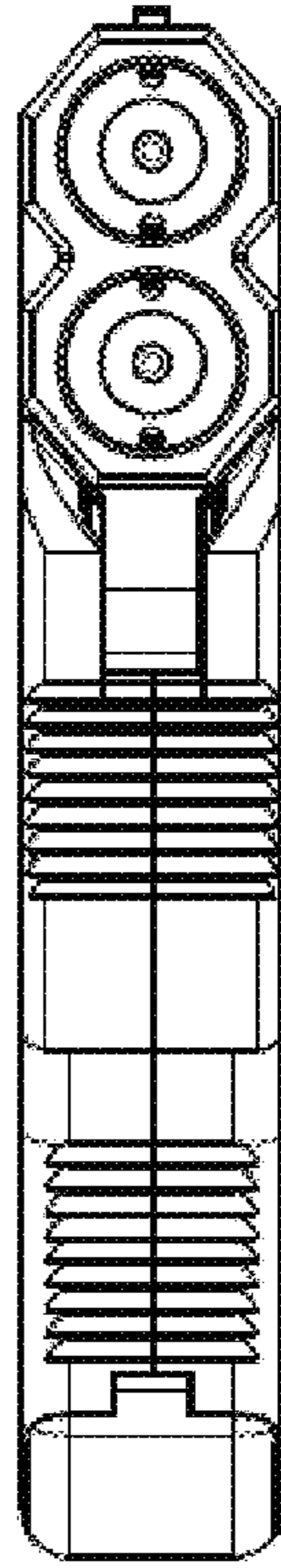


Figure 5

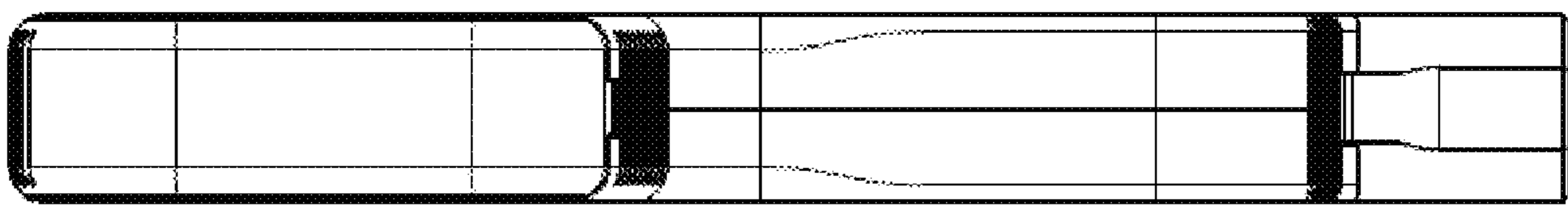


Figure 6