



US00D707779S

(12) **United States Design Patent**
Elson

(10) **Patent No.:** **US D707,779 S**
(45) **Date of Patent:** **** Jun. 24, 2014**

- (54) **CHILDREN'S PLAY GYM**
- (75) Inventor: **Brittany Elson**, Atlanta, GA (US)
- (73) Assignee: **Kids II, Inc.**, Atlanta, GA (US)
- (**) Term: **14 Years**
- (21) Appl. No.: **29/432,164**
- (22) Filed: **Sep. 13, 2012**
- (51) **LOC (10) Cl.** **21-03**
- (52) **U.S. Cl.**
USPC **D21/814**
- (58) **Field of Classification Search**
USPC D21/811, 814, 826-827, 835;
482/35-36
See application file for complete search history.

- D620,066 S * 7/2010 Kohler D21/826
- D628,668 S * 12/2010 Kilgriff D21/826
- D660,933 S * 5/2012 Mathiesen et al. D21/814

* cited by examiner

Primary Examiner — Mitchell Siegel

(74) *Attorney, Agent, or Firm* — Joseph W. Staley; Katherine D. Buchanan

(57) **CLAIM**

The ornamental design for a children's play gym, as shown and described.

DESCRIPTION

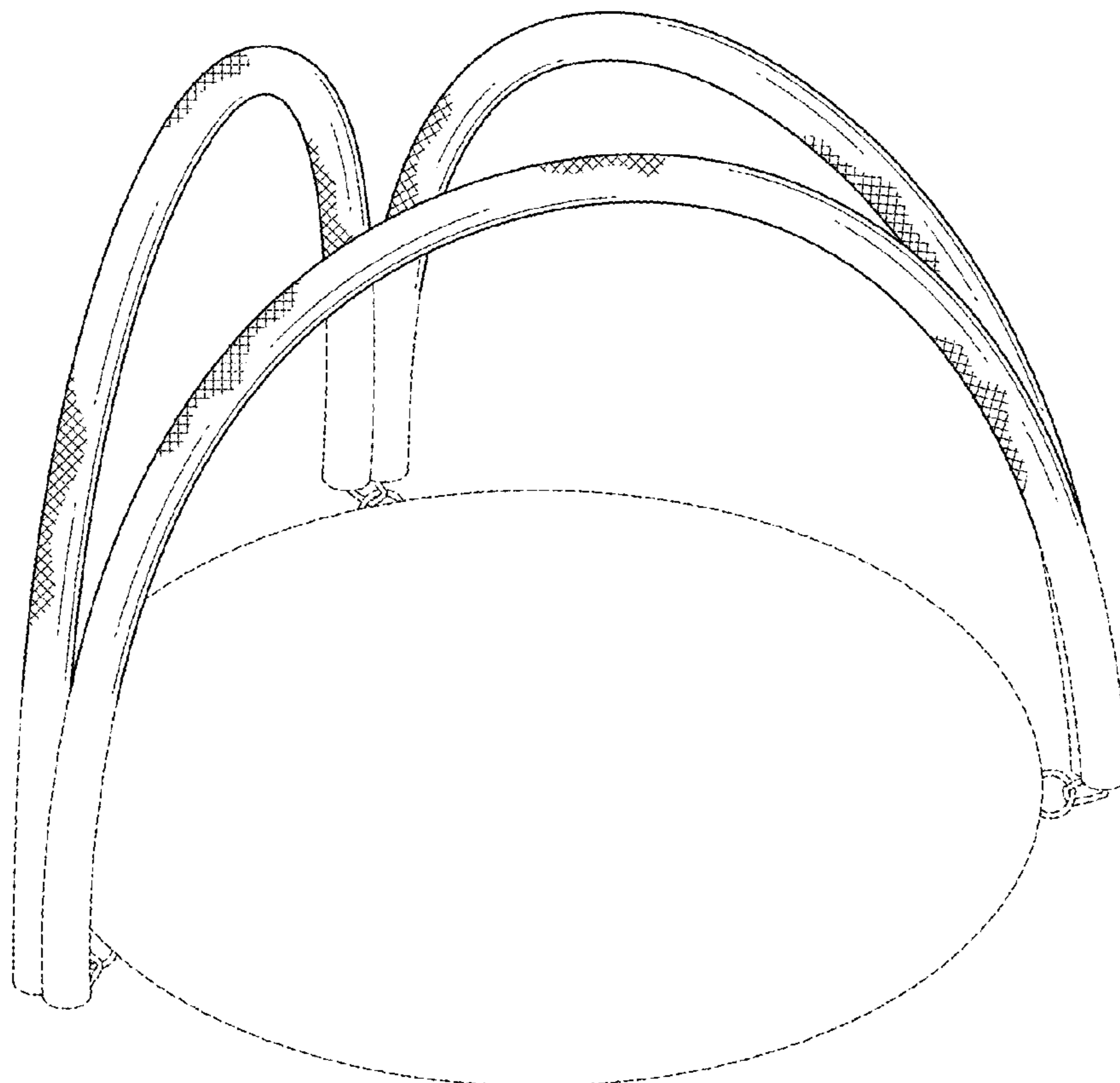
FIG. 1 is a perspective view of a children's play gym, according to an example embodiment of the design.
 FIG. 2 is a front view of the play gym of FIG. 1.
 FIG. 3 is a first side view of the play gym of FIG. 1, the opposite side being a mirror image thereof;
 FIG. 4 is a back view of the play gym of FIG. 1;
 FIG. 5 is a top view of the play gym of FIG. 1; and,
 FIG. 6 is a bottom view of the play gym of FIG. 1.
 Portions shown in broken lines are for illustrative purposes only and form no part of the claimed design.

1 Claim, 3 Drawing Sheets

(56) **References Cited**

U.S. PATENT DOCUMENTS

- D426,609 S * 6/2000 Manus D21/826
- D472,954 S * 4/2003 Kohler D21/826
- D554,227 S * 10/2007 Yates et al. D21/826
- D570,438 S * 6/2008 Adams D21/814
- D587,775 S * 3/2009 Adams D21/814
- D595,800 S * 7/2009 VanElverdinghe D21/814
- D615,607 S * 5/2010 Hwang D21/826



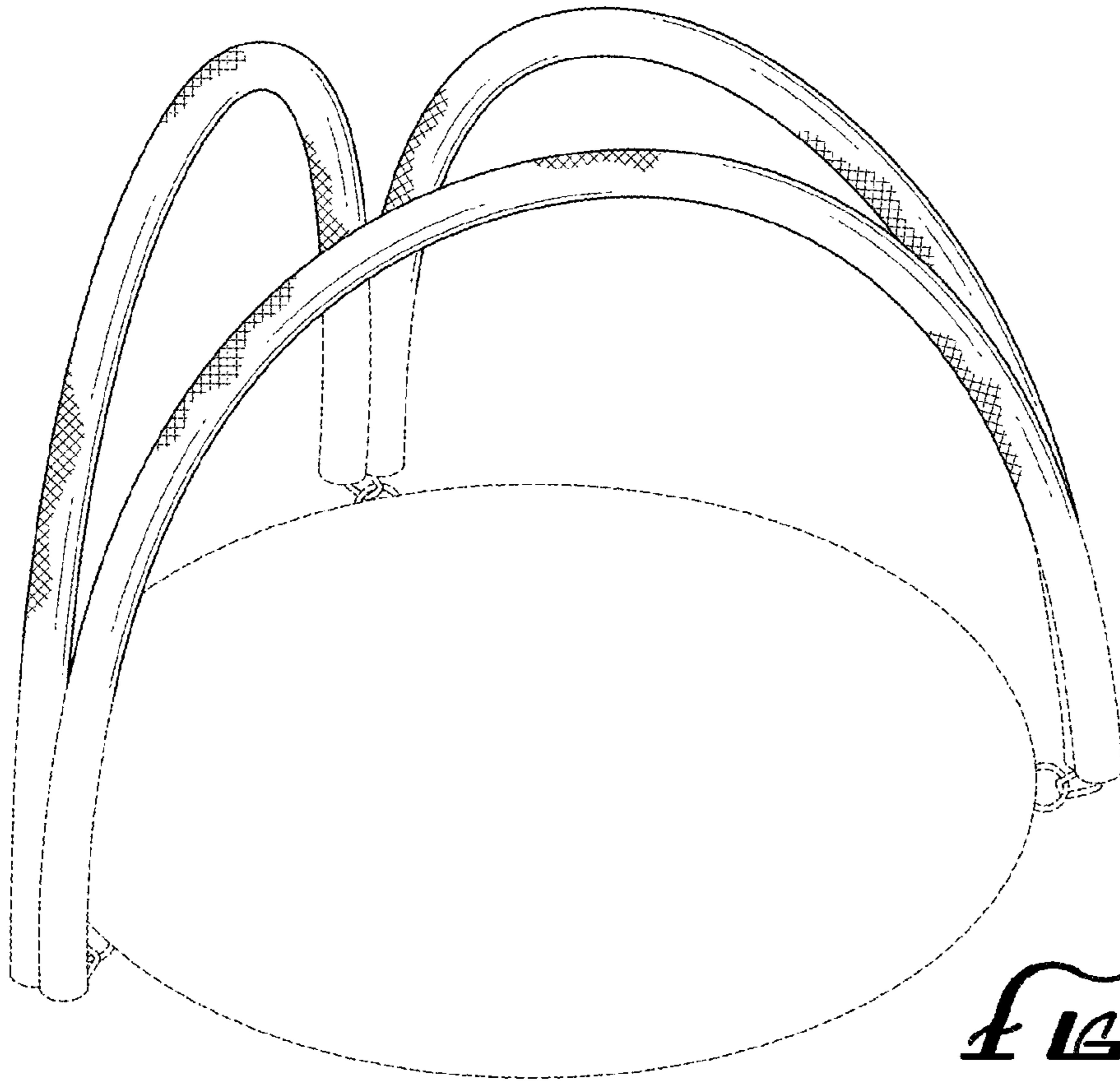


FIG. 1

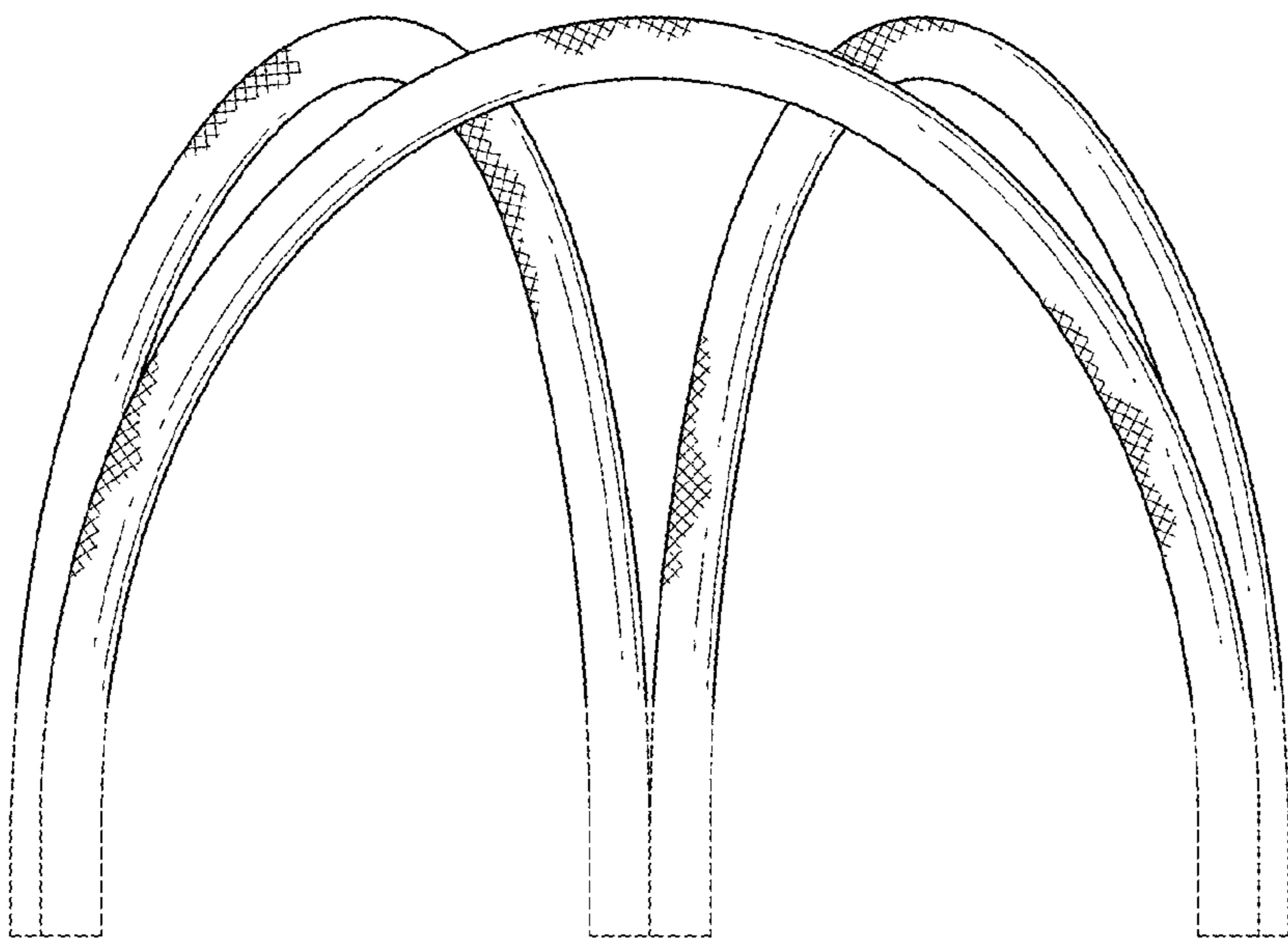


FIG. 2

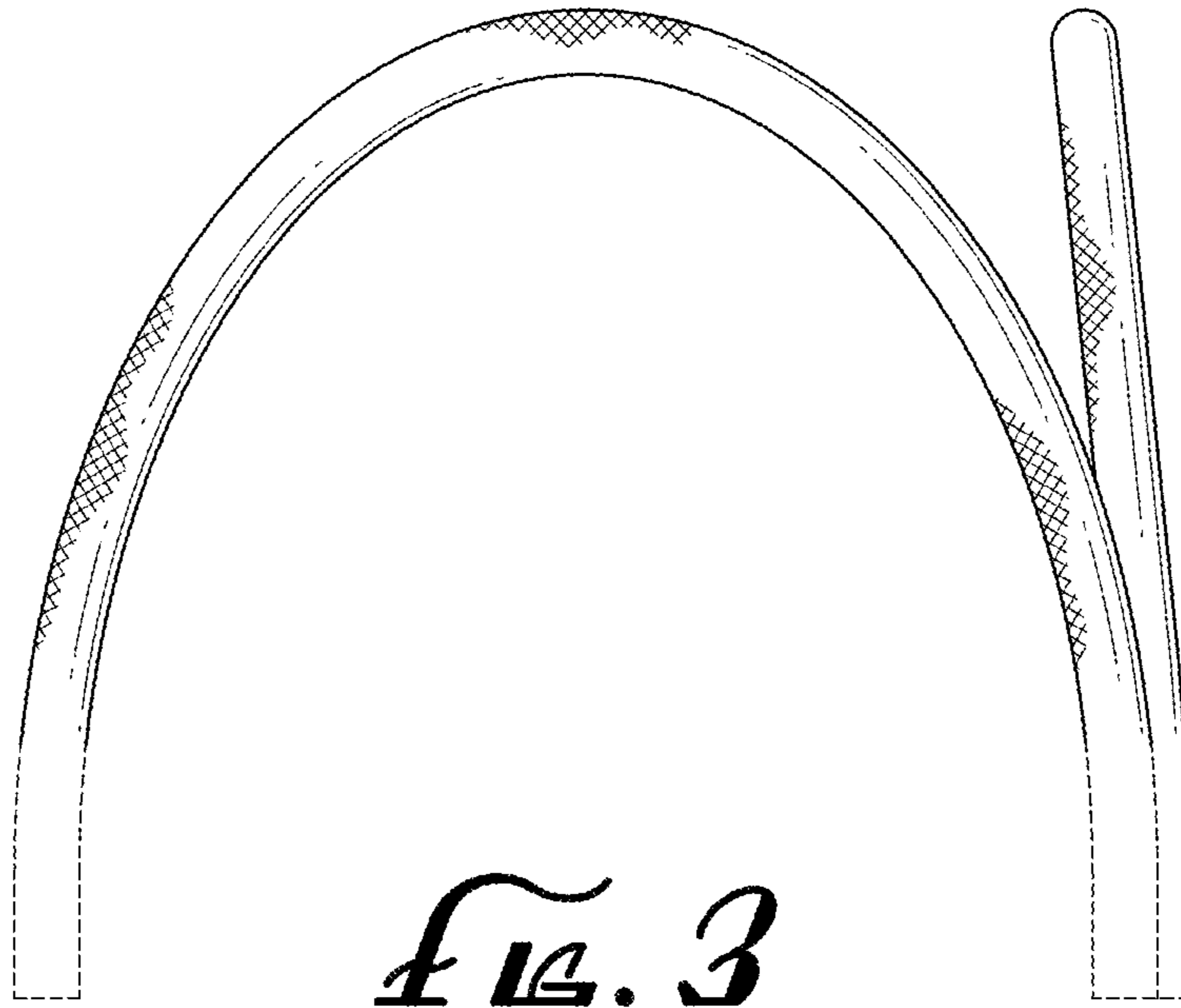


FIG. 3

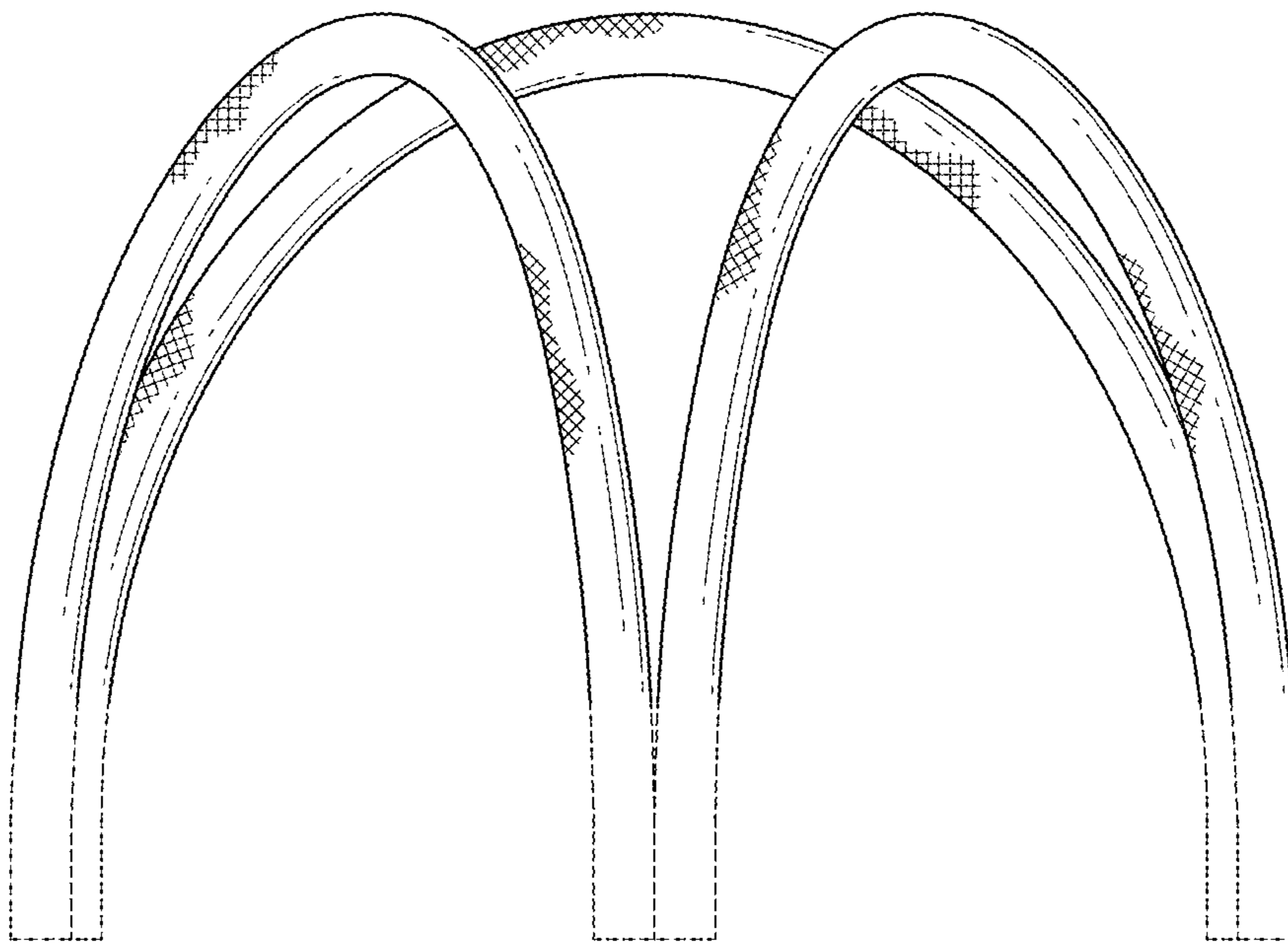


FIG. 4

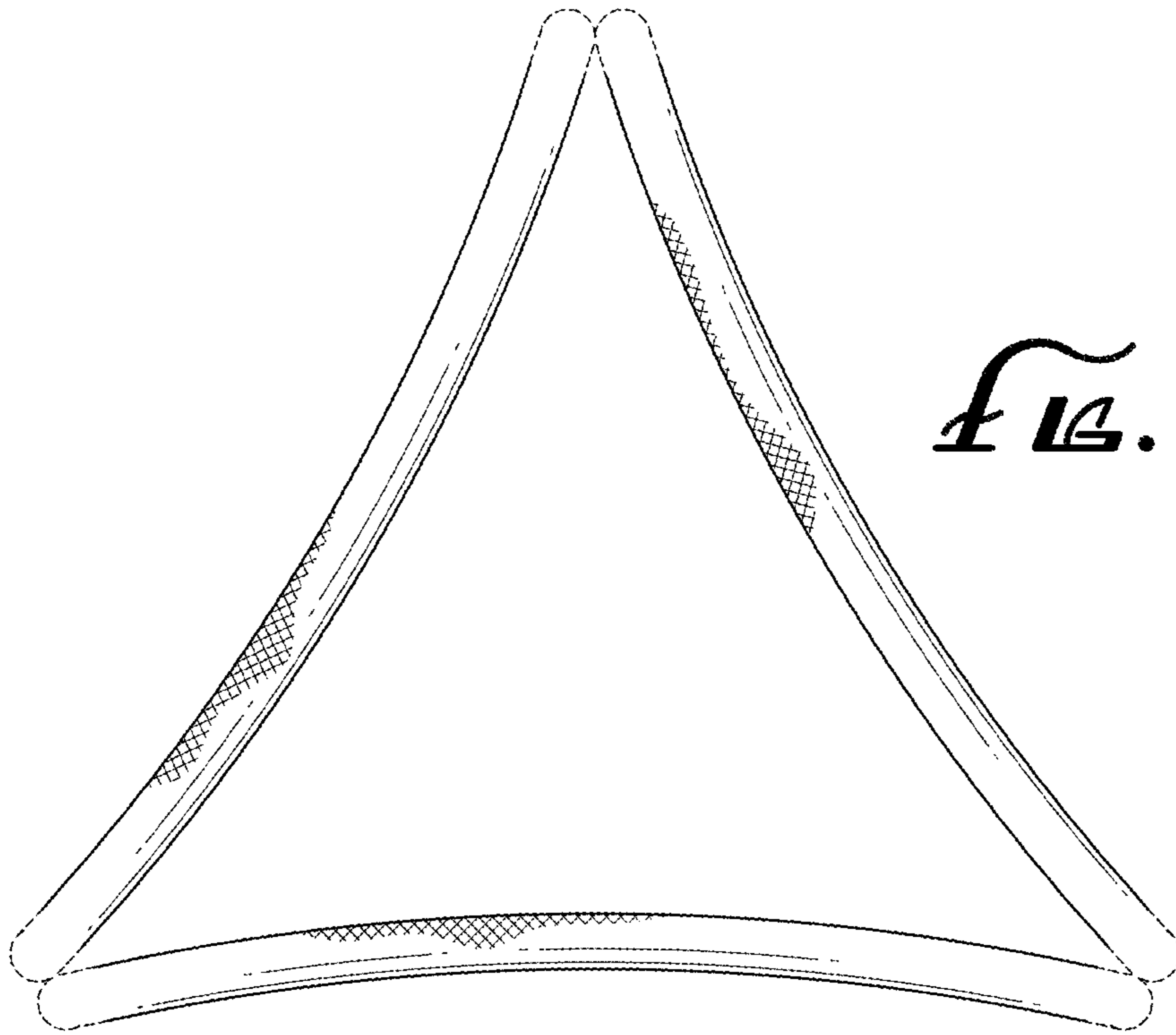


FIG. 5

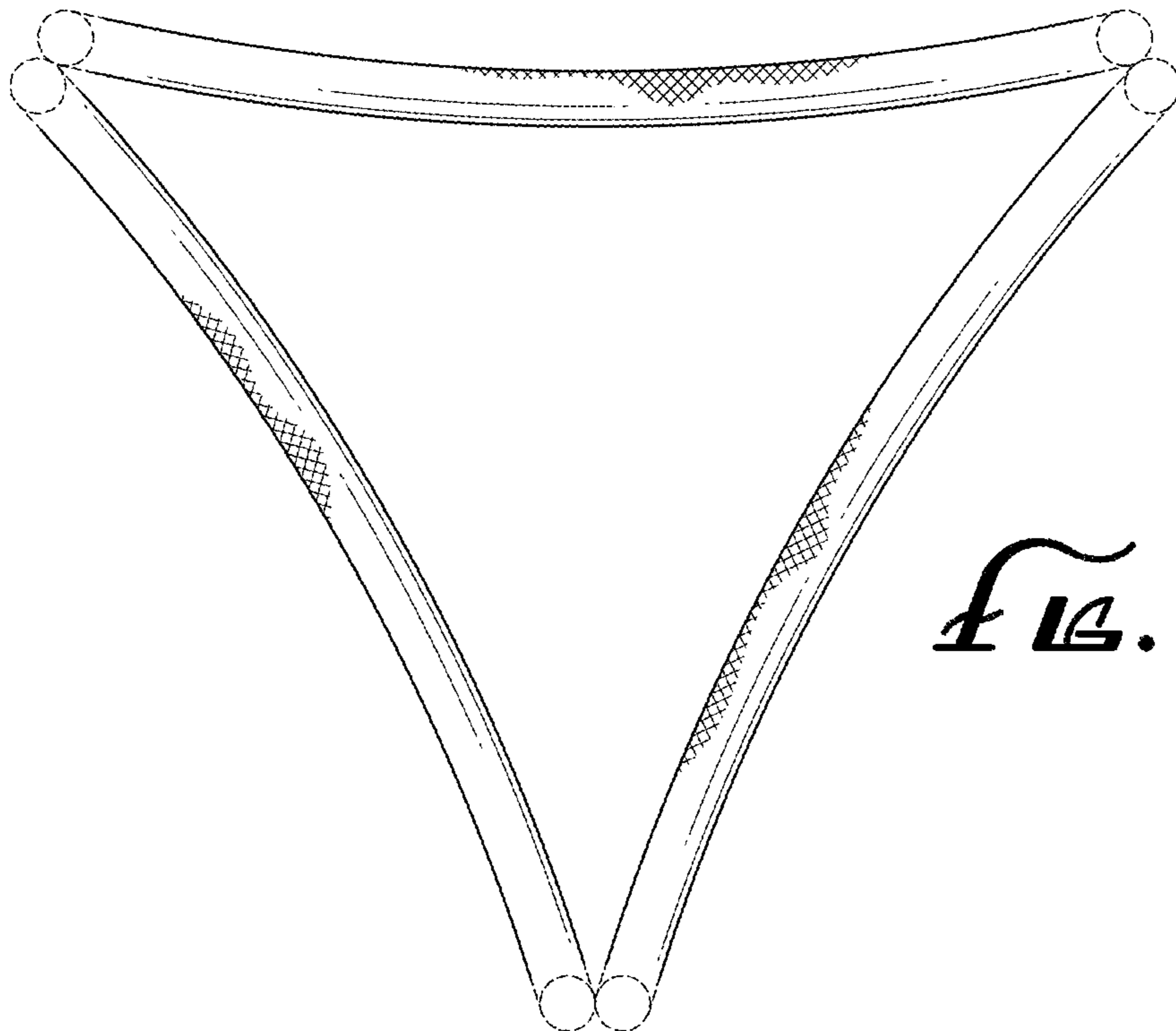


FIG. 6