



US00D707777S

(12) **United States Design Patent**
Lee

(10) **Patent No.:** **US D707,777 S**
(45) **Date of Patent:** **** Jun. 24, 2014**

(54) **JERSEY LIFE JACKET**

(71) Applicant: **David Thornton Lee**, Memphis, TN
(US)

(72) Inventor: **David Thornton Lee**, Memphis, TN
(US)

(**) Term: **14 Years**

(21) Appl. No.: **29/471,295**

(22) Filed: **Oct. 30, 2013**

(51) **LOC (10) Cl.** **29-02**

(52) **U.S. Cl.**
USPC **D21/805**

(58) **Field of Classification Search**
USPC D21/804, 805; D29/100, 101.1, 101, 4;
2/456, 458, 467, 463; 441/88, 89, 106,
441/108, 111, 114-117
See application file for complete search history.

(56) **References Cited**

U.S. PATENT DOCUMENTS

D361,115 S * 8/1995 Lucius D21/805
D410,987 S * 6/1999 Lucius D21/805
D422,666 S * 4/2000 Wagner D21/805

D497,966 S * 11/2004 Beerwald D21/812
7,014,520 B2 * 3/2006 Johnson 441/112
7,028,341 B2 * 4/2006 Ikenaga et al. 2/102
7,331,836 B1 * 2/2008 Harris 441/88
D638,900 S * 5/2011 Wahnnon D21/805

* cited by examiner

Primary Examiner — Zenia Bennett

(74) *Attorney, Agent, or Firm* — Butler Snow, LLP

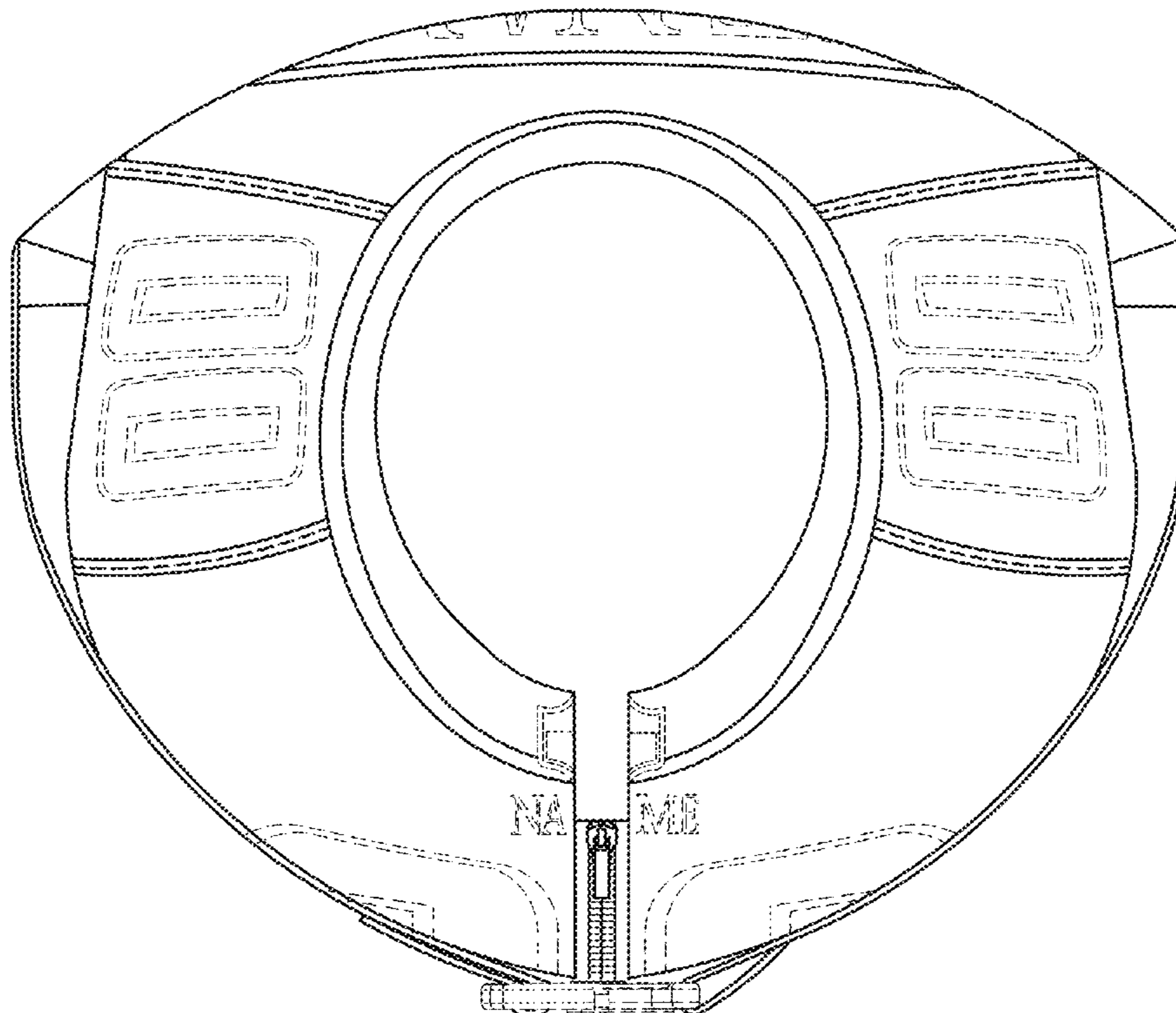
(57) **CLAIM**

I claim the ornamental design for a jersey life jacket, as shown and described.

DESCRIPTION

FIG. 1 is a perspective view of the jersey life jacket from above.
FIG. 2 is the front elevational view thereof.
FIG. 3 is the right side elevational view thereof.
FIG. 4 is the rear elevational view.
FIG. 5 is the left side elevational view.
FIG. 6 is a top plan view; and,
FIG. 7 is a bottom plan view.
FIGS. 1-7 illustrate an embodiment of the jersey life jacket. The broken lines in the drawing are for illustrative purposes only and form no part of the claimed design,

1 Claim, 7 Drawing Sheets



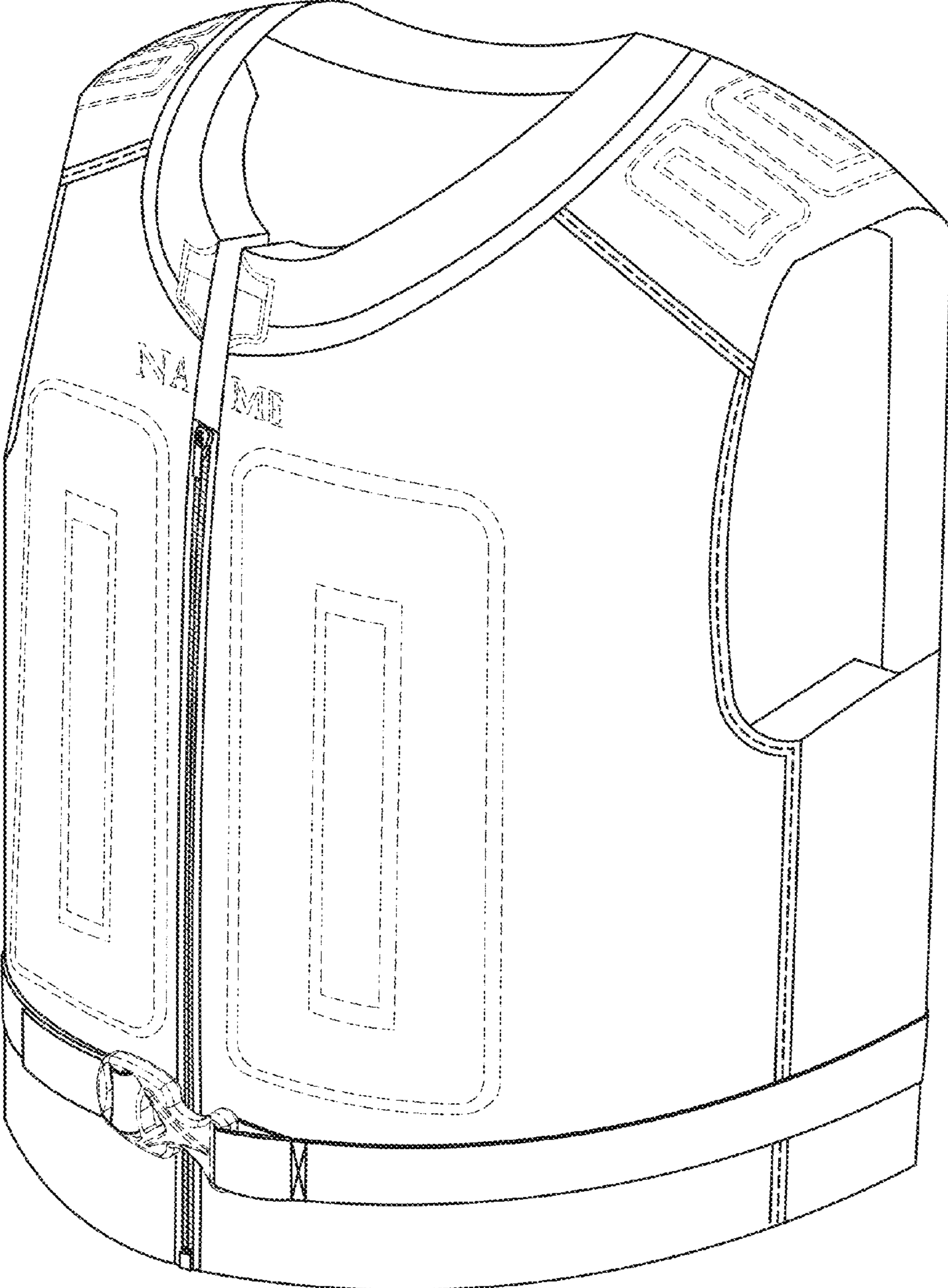


FIG. 1

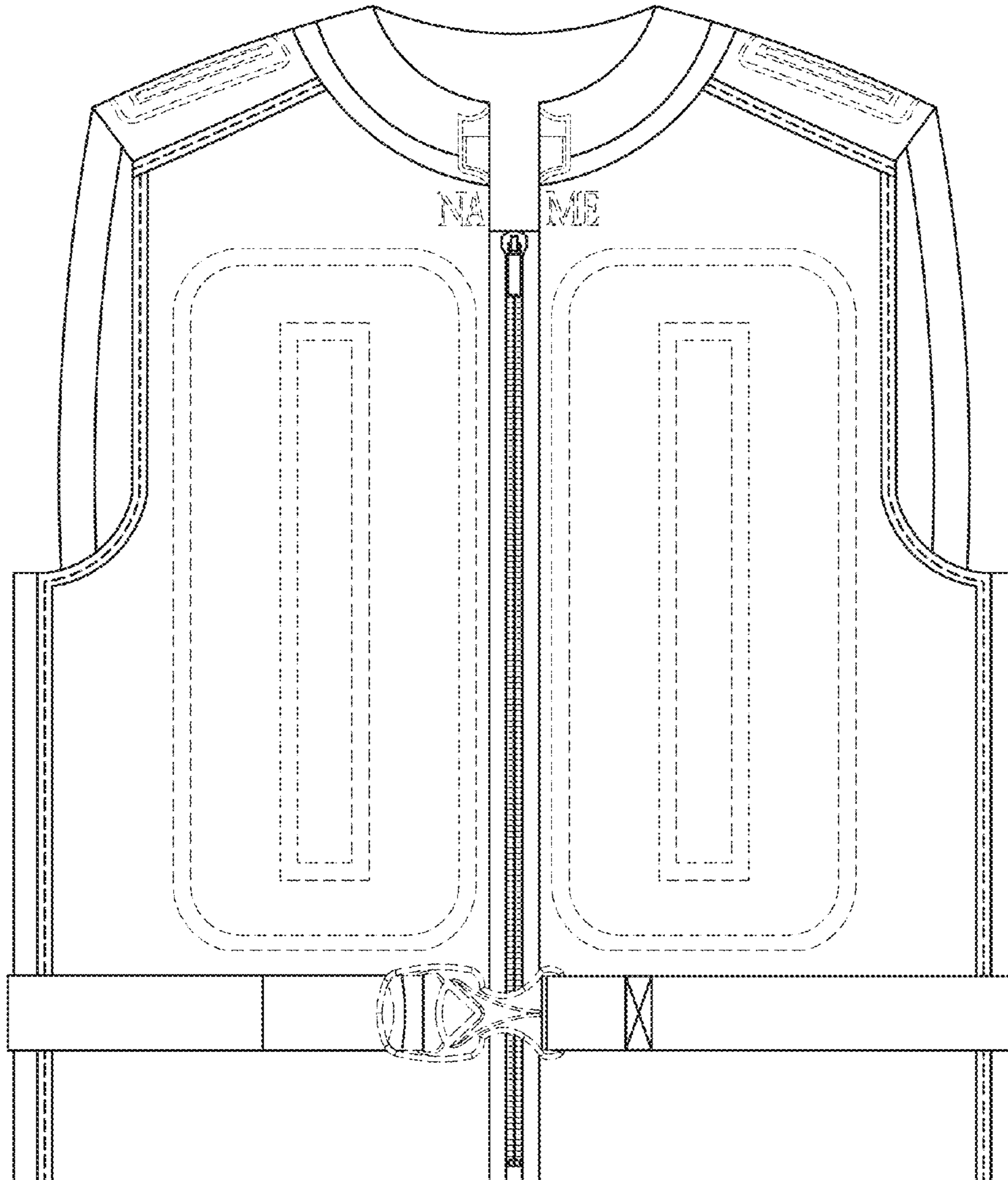


FIG. 2

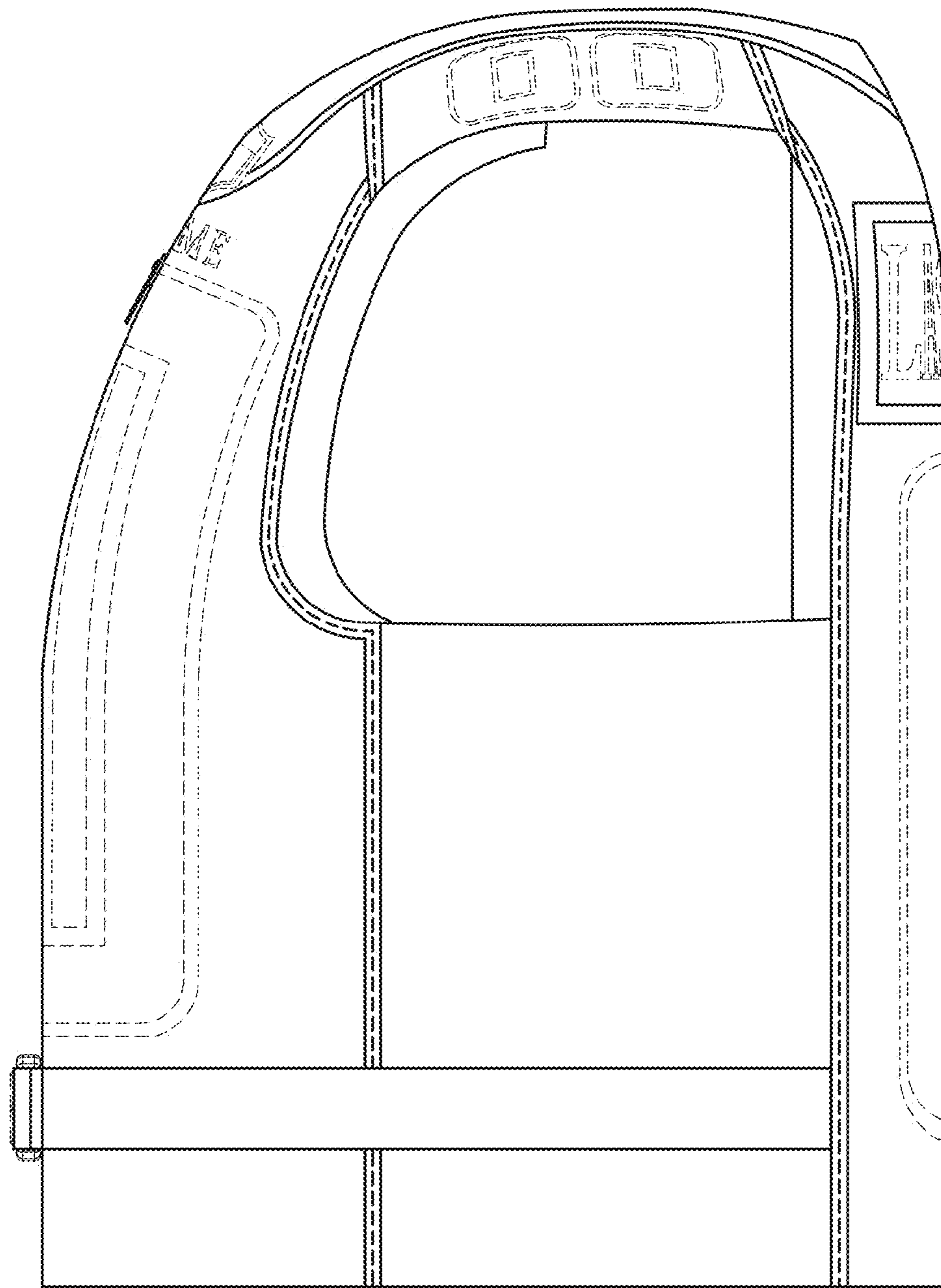


FIG. 3

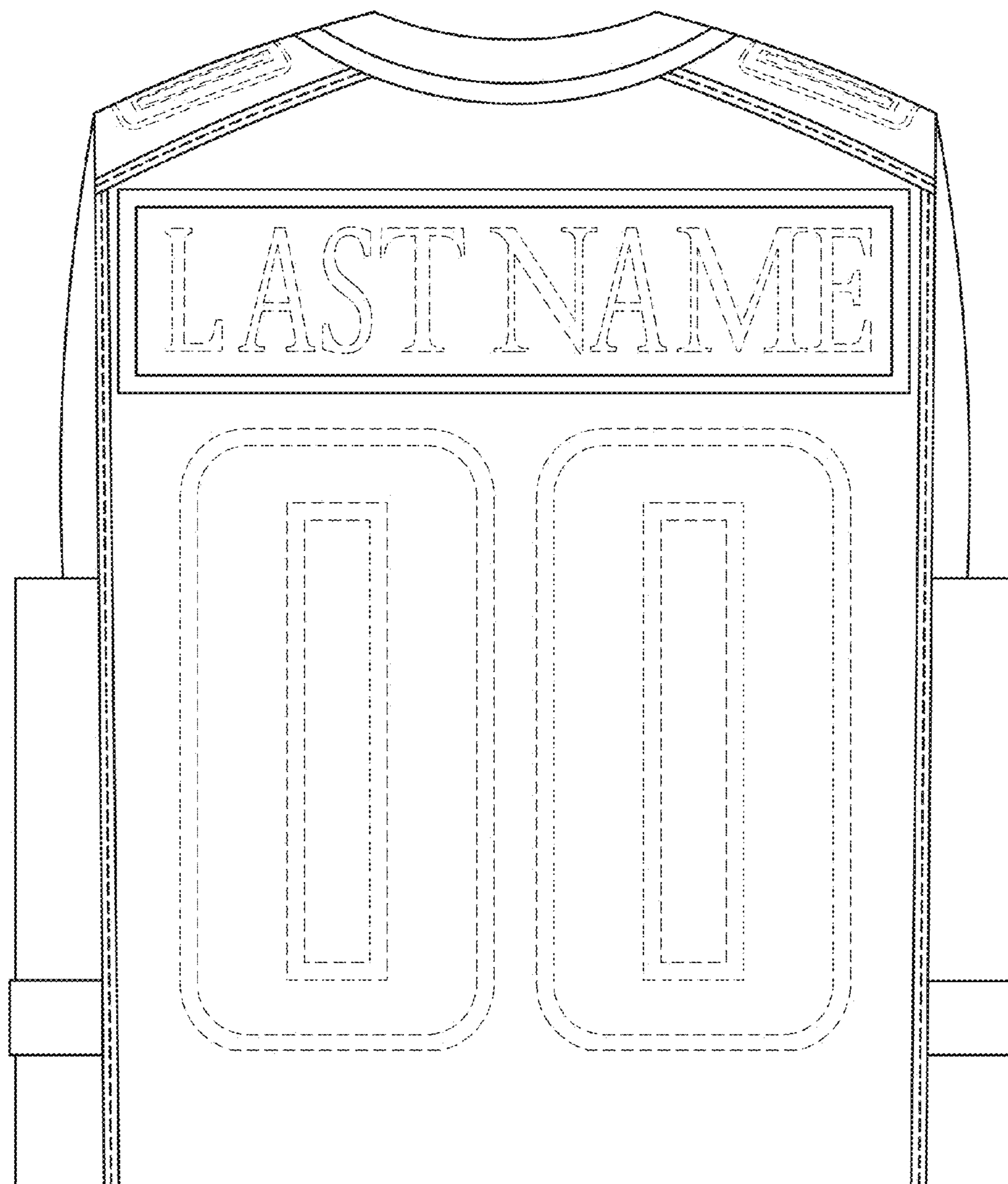


FIG. 4

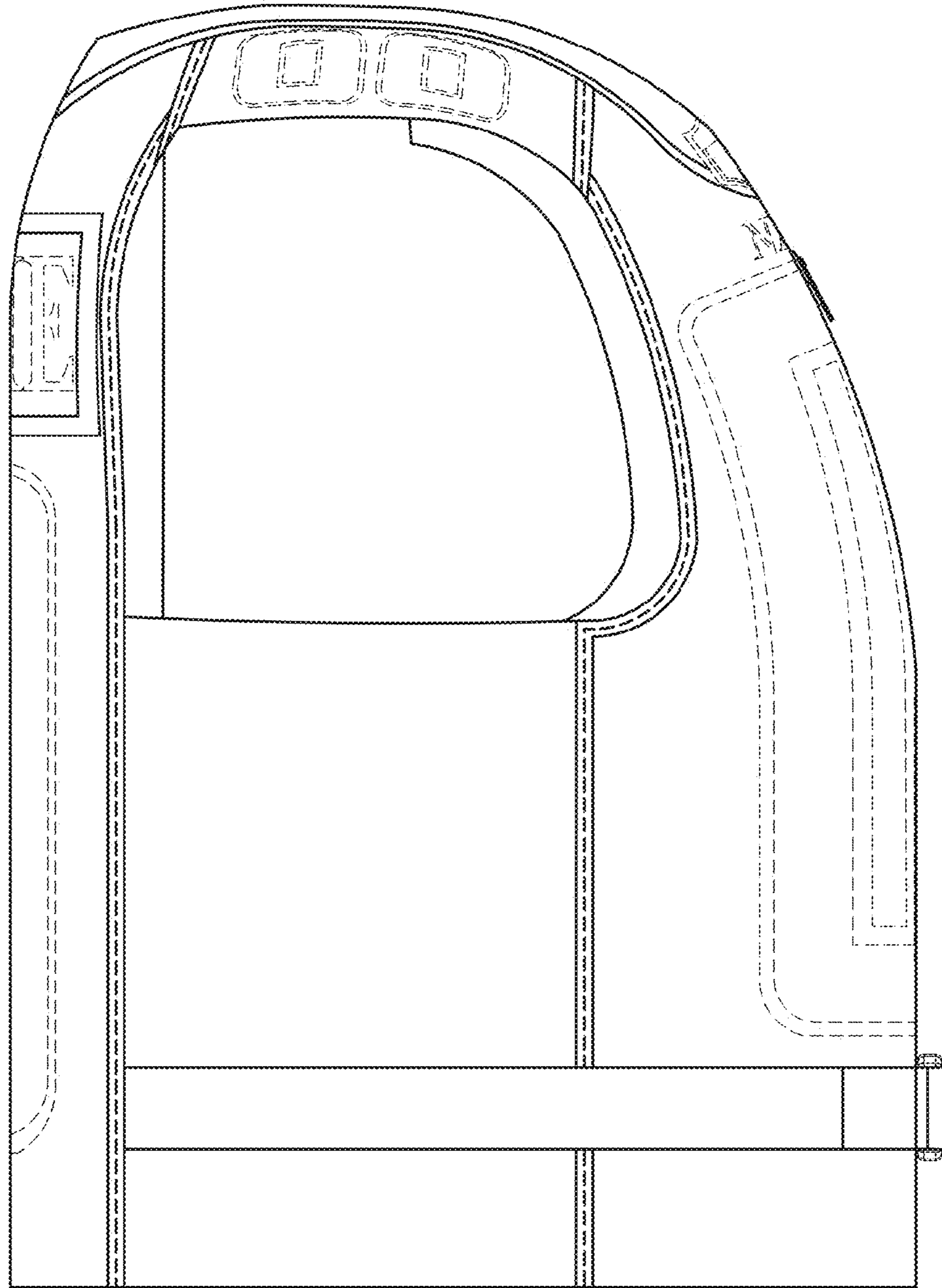


FIG. 5

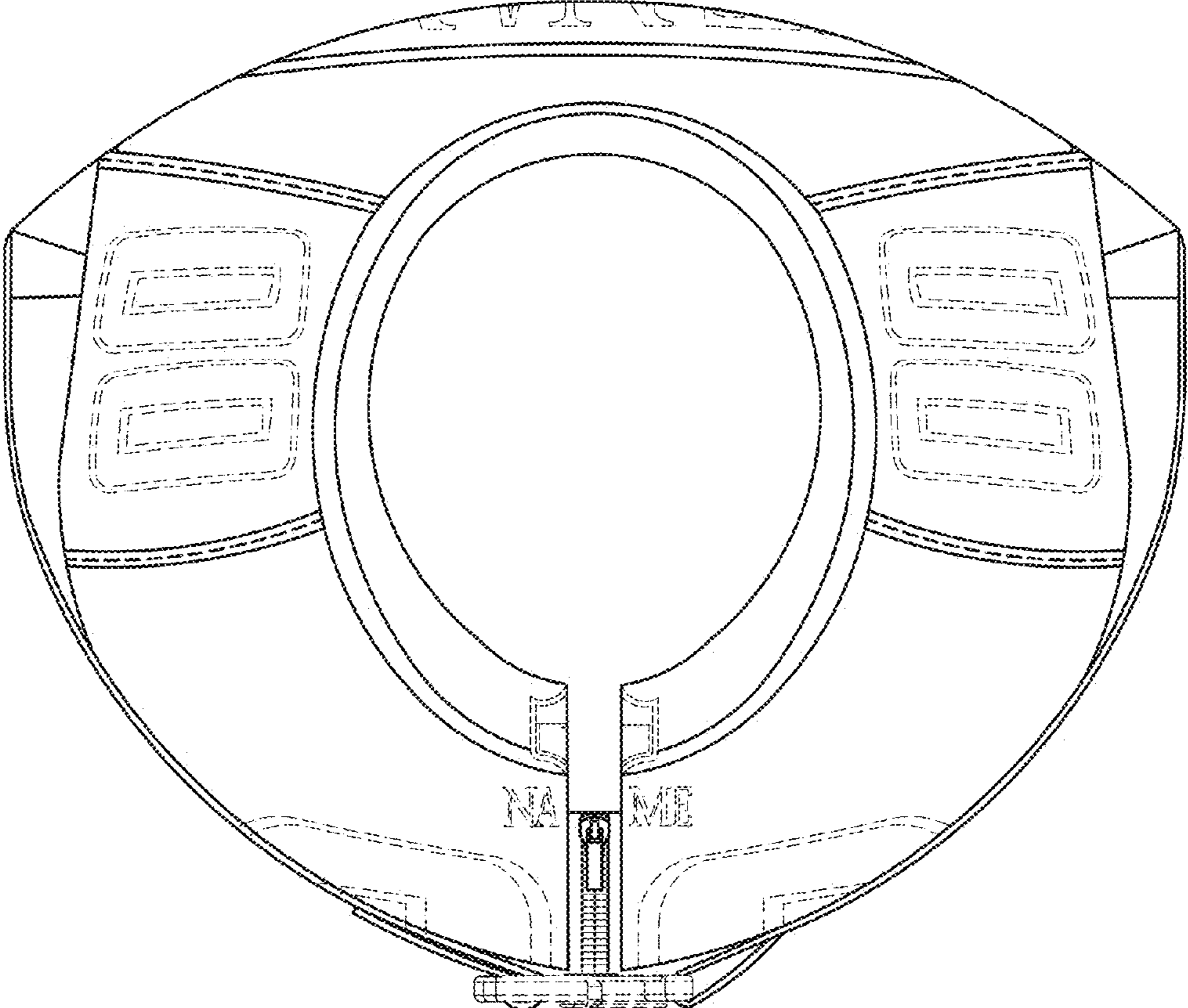


FIG. 6

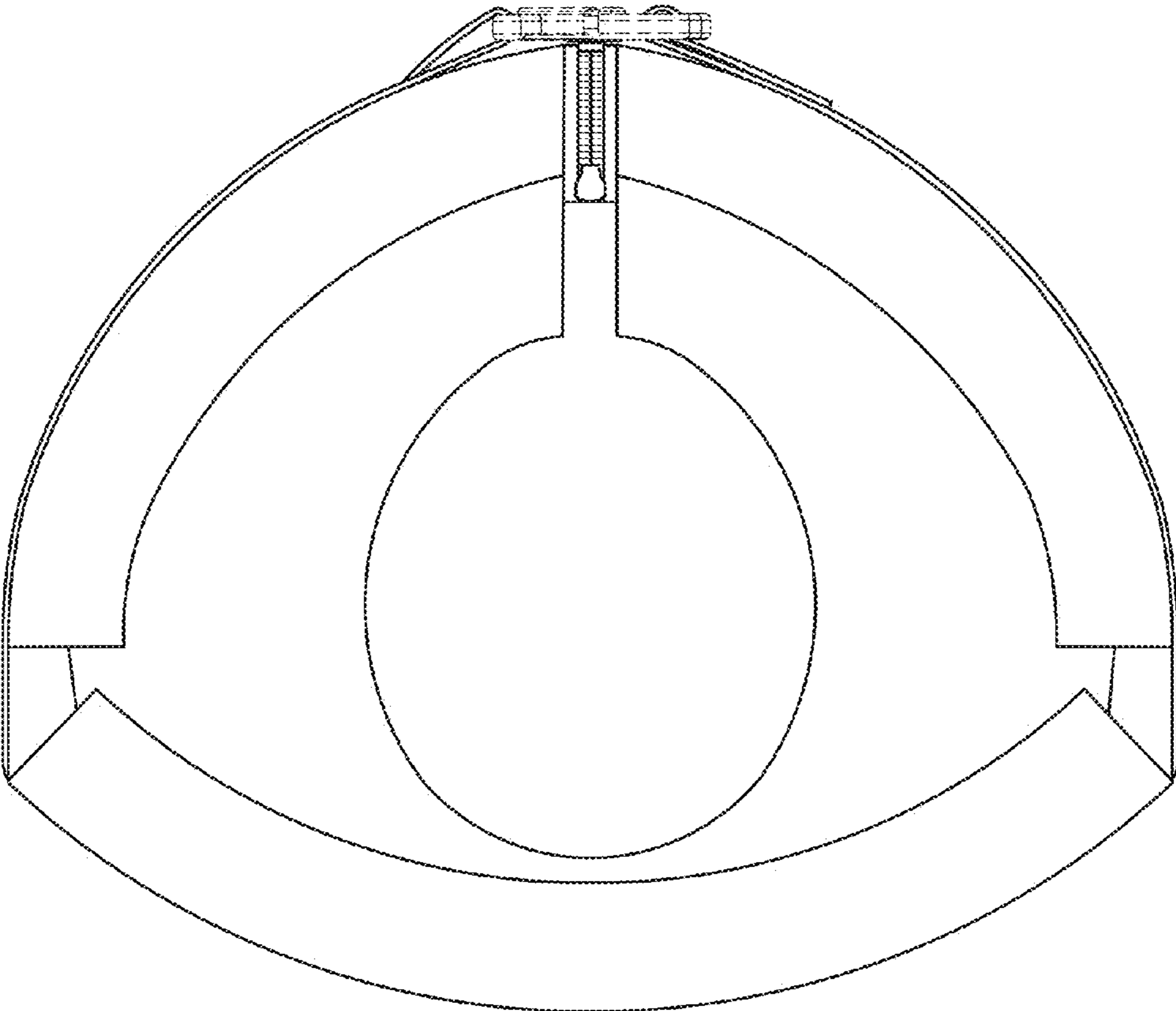


FIG. 7