



US00D707776S

(12) **United States Design Patent**
Rubey

(10) **Patent No.:** **US D707,776 S**
(45) **Date of Patent:** **** Jun. 24, 2014**

(54) **BUOYANCY DEVICE**

(71) Applicant: **TRC Recreation, LP**, Wichita Falls, TX (US)

(72) Inventor: **Ulyss Ray Rubey**, Graham, TX (US)

(73) Assignee: **TRC Recreation, LP**, Wichita Falls, TX (US)

(**) Term: **14 Years**

(21) Appl. No.: **29/459,312**

(22) Filed: **Jun. 28, 2013**

(51) **LOC (10) Cl.** **21-06**

(52) **U.S. Cl.**
USPC **D21/801**

(58) **Field of Classification Search**
USPC D21/707, 713, 769-770, 801, 803, 809;
114/253, 345-346; 441/35, 66, 74,
441/40-42, 129-132; 472/128-129; D12/5,
D12/6, 316; D9/453, 454; D30/160
See application file for complete search history.

(56) **References Cited**

U.S. PATENT DOCUMENTS

3,427,022 A 2/1969 Ward
D219,284 S * 11/1970 Hunt D21/707
3,633,587 A * 1/1972 Hunt 606/235
3,675,259 A * 7/1972 Gilchrist 441/78

4,458,895 A * 7/1984 Turcotte 482/78
D341,866 S 11/1993 Ross
5,320,568 A 6/1994 Koerkel, Jr.
5,480,143 A * 1/1996 McMurry 473/571
D372,750 S * 8/1996 Schloss D21/707
D408,482 S * 4/1999 Morrison D21/708
D433,726 S * 11/2000 Peterson D21/801
D468,378 S * 1/2003 Routzong D21/707
D477,441 S * 7/2003 Willinger et al. D30/160
D494,652 S 8/2004 Otto
7,044,820 B2 5/2006 Ladisa
D541,365 S * 4/2007 Peterson D21/803
D610,215 S * 2/2010 Wechsler D21/707
D623,714 S 9/2010 Steger
D662,804 S * 7/2012 Larson D8/354

* cited by examiner

Primary Examiner — Zenia Bennett

(74) *Attorney, Agent, or Firm* — Scott T. Griggs; Griggs Bergen LLP

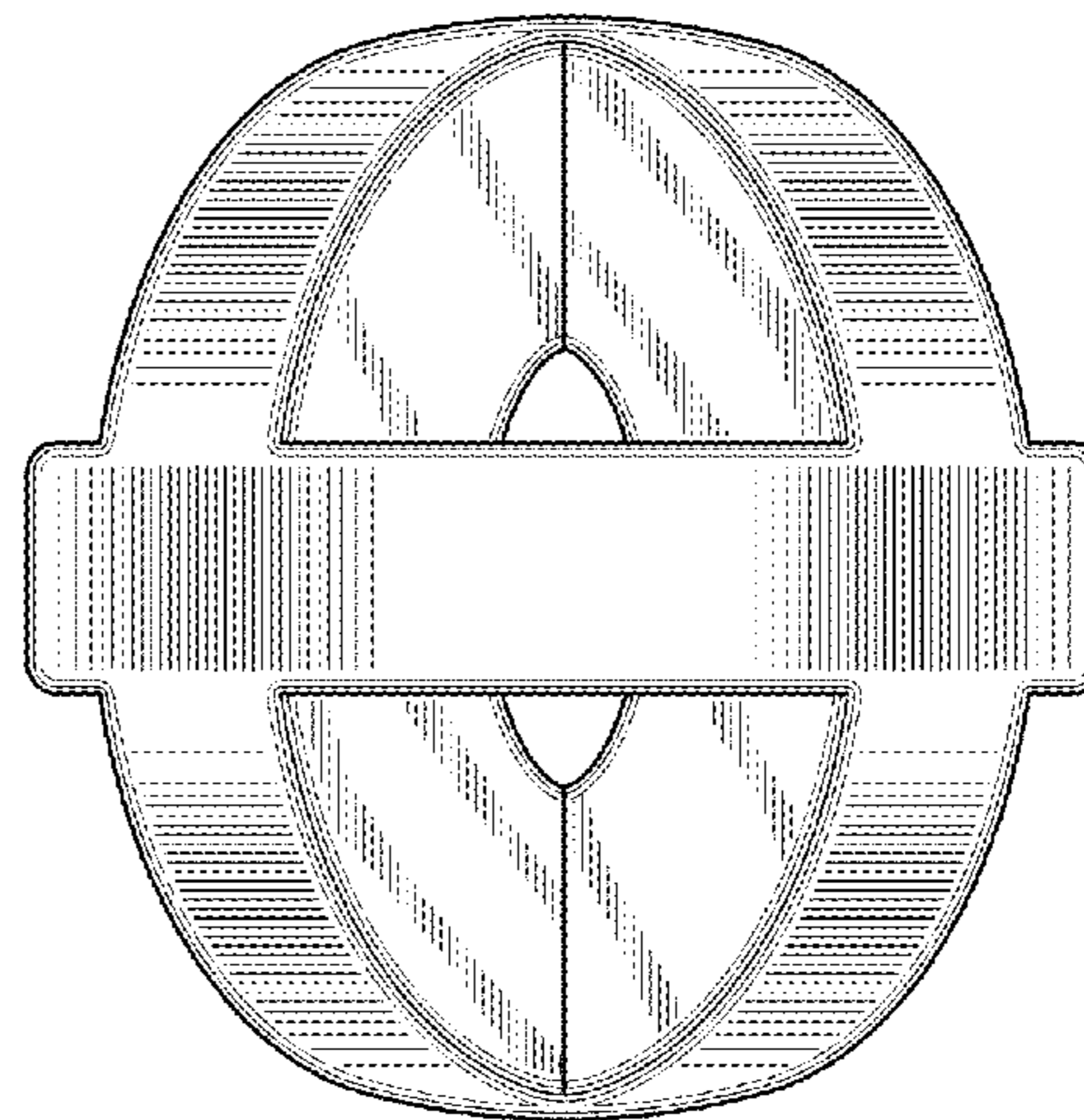
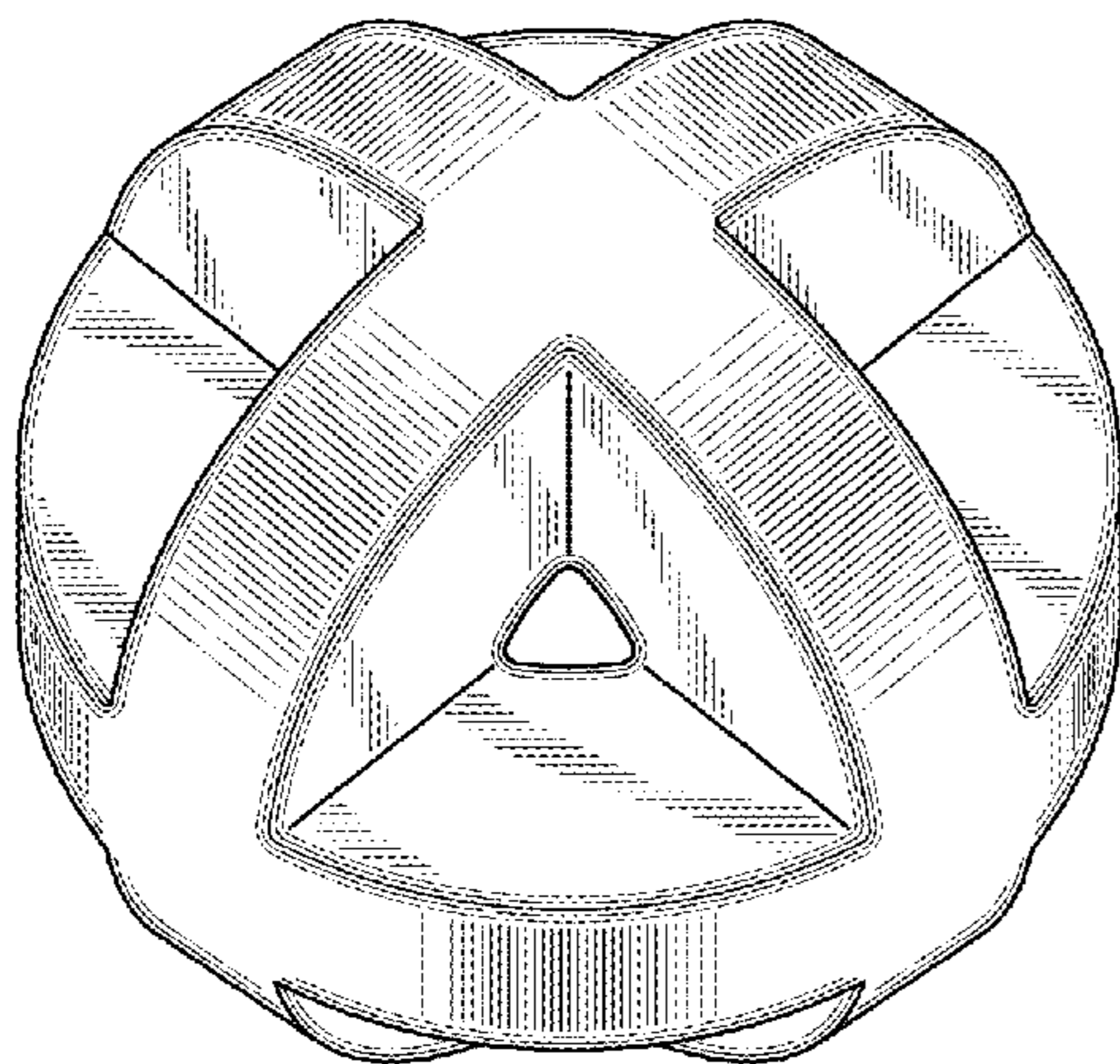
(57) **CLAIM**

The ornamental design for a buoyancy device, as shown and described.

DESCRIPTION

FIG. 1 is a front perspective view of a buoyancy device having left-right, top-bottom, and front-rear symmetry; FIG. 2 is a top plan view of the buoyancy device of FIG. 1; and, FIG. 3 is a front elevation view of the buoyancy device of FIG. 1.

1 Claim, 1 Drawing Sheet



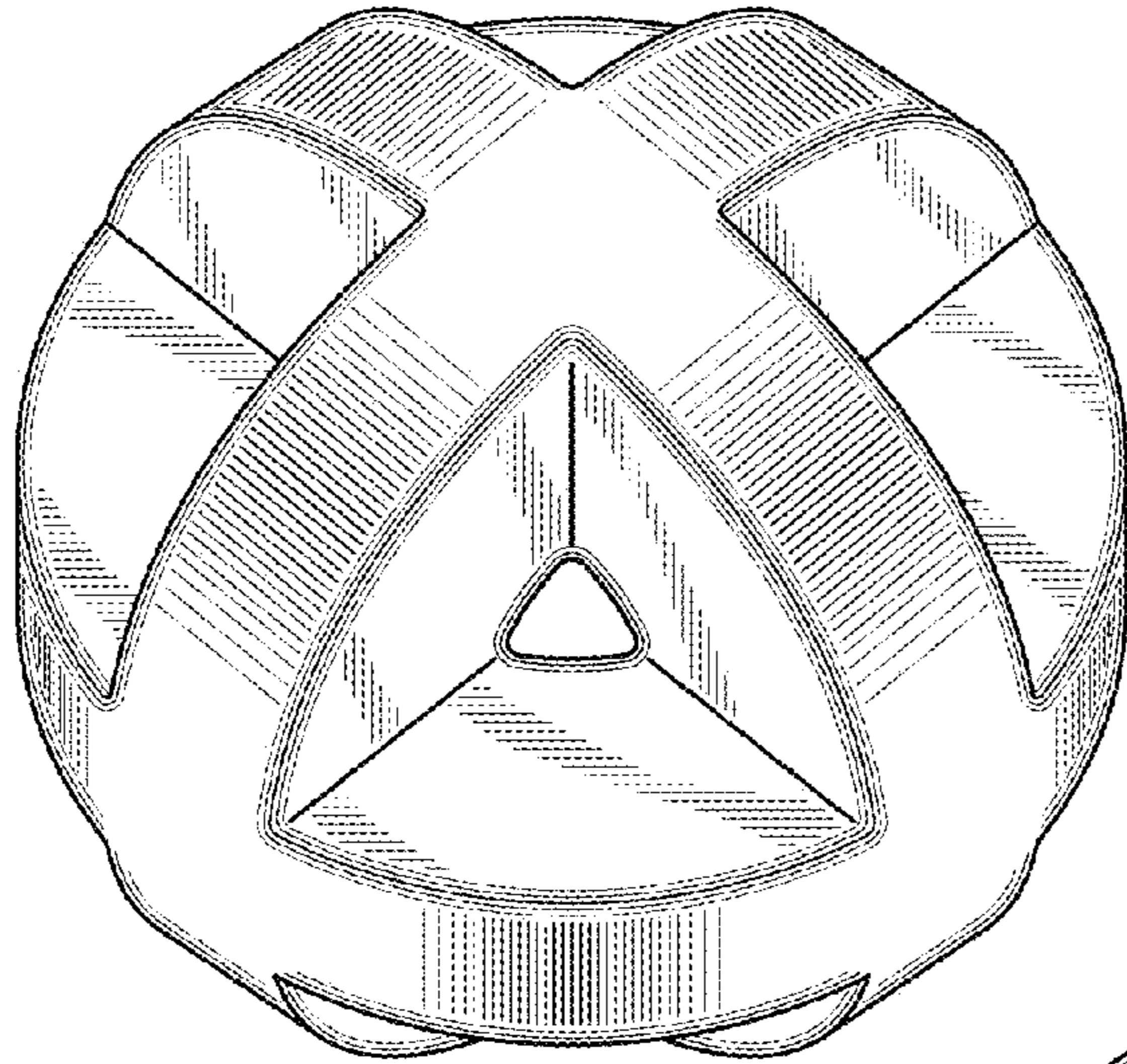


Fig.1

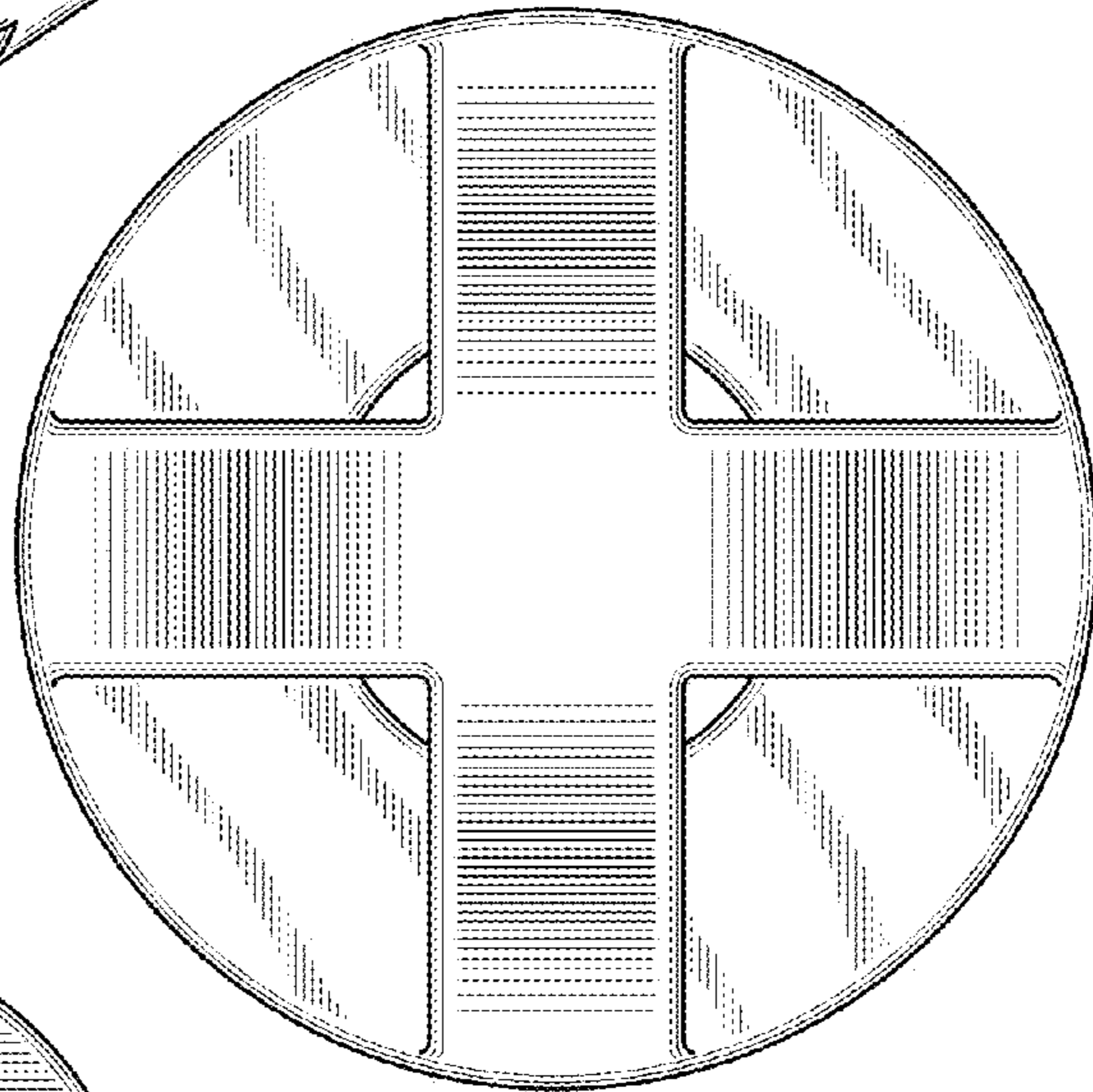


Fig.2

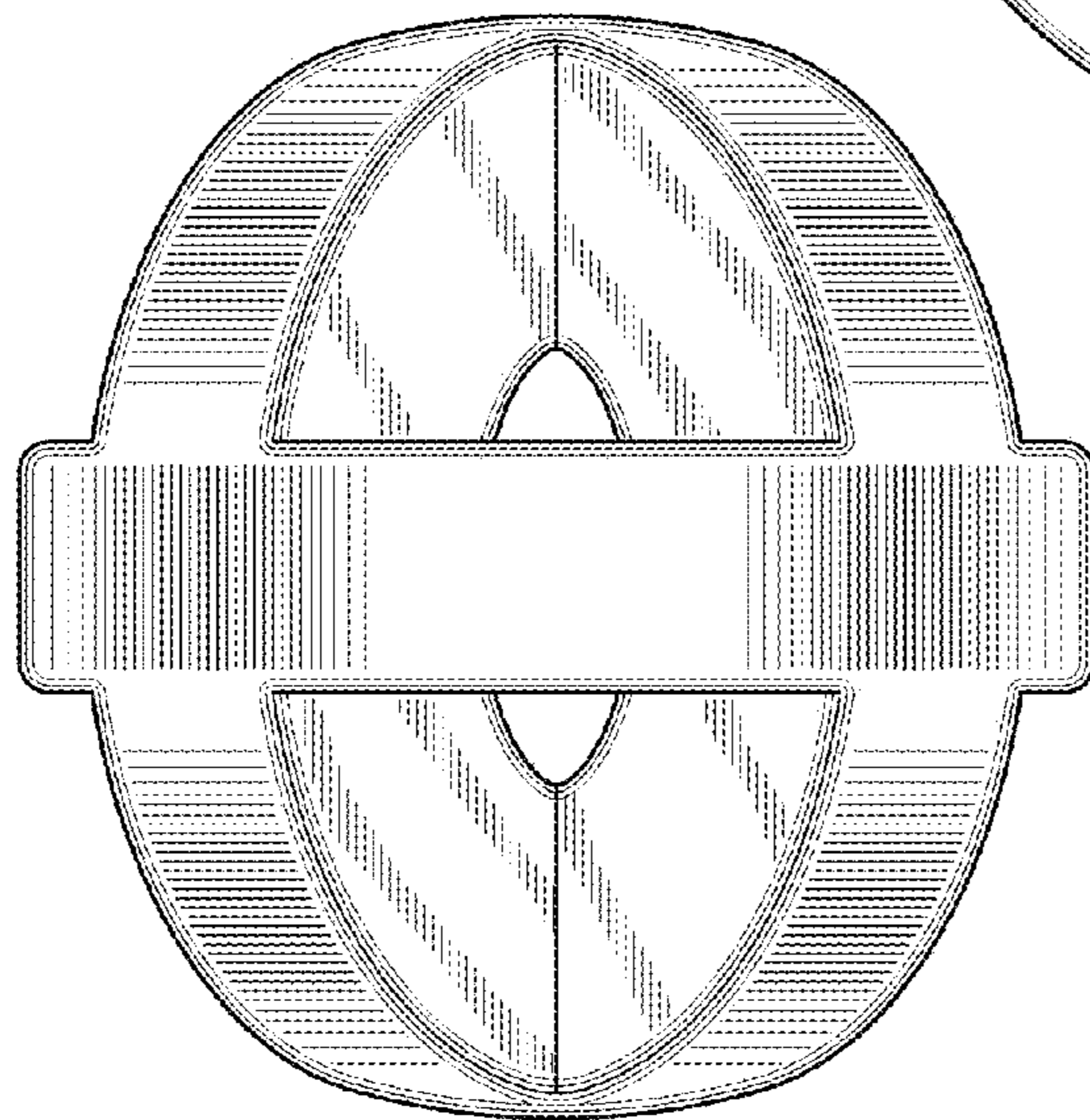


Fig.3