



US00D707775S

(12) **United States Design Patent**
May

(10) **Patent No.:** **US D707,775 S**
(45) **Date of Patent:** **** Jun. 24, 2014**

(54) **JUMP TRAINING TOY**

(76) Inventor: **John H. May**, Roseville, CA (US)

(**) Term: **14 Years**

(21) Appl. No.: **29/415,132**

(22) Filed: **Mar. 7, 2012**

(51) **LOC (10) Cl.** **21-02**

(52) **U.S. Cl.**
USPC **D21/800; D21/398**

(58) **Field of Classification Search**
USPC D21/300, 483, 506, 507, 530, 662, 672,
D21/679, 686, 691, 698, 699, 700, 706, 797,
D21/798, 799.1, 799.2, 800, 811, 814;
D30/160, 199; D10/46.1, 62, 70, 71;
D19/59, 64; 482/8, 15-17, 35, 36, 38,
482/148; 273/440, 444, 449, DIG. 30;
446/487, 489, 491, 901; 119/705;
248/205.2, 214, 218.4, 251, 274.1,
248/316.8; 211/85.7, 60.4, 123, 124, 190,
211/204; 256/1, 65.02; 116/222, 225;
434/247, 248, 251, 255; 473/415-504
See application file for complete search history.

(56) **References Cited**

U.S. PATENT DOCUMENTS

1,146,843 A * 7/1915 Brown 482/17
D192,865 S * 5/1962 Piper D21/800
3,107,091 A * 10/1963 Jenkins 482/17
3,294,400 A * 12/1966 Goldstein 273/449
3,795,396 A * 3/1974 Kropelnitski 482/8

3,801,096 A * 4/1974 Miller 273/449
D242,733 S * 12/1976 Takahashi D21/797
4,215,857 A * 8/1980 Gordon 482/15
4,323,034 A * 4/1982 Carlson 119/705
5,005,828 A * 4/1991 Sauerbrey 482/17
5,873,798 A * 2/1999 Bostick 473/426
7,731,610 B2 * 6/2010 Im 473/476
D675,275 S * 1/2013 Hunter D21/811

* cited by examiner

Primary Examiner — Catherine Tuttle

(74) *Attorney, Agent, or Firm* — GSS Law Group

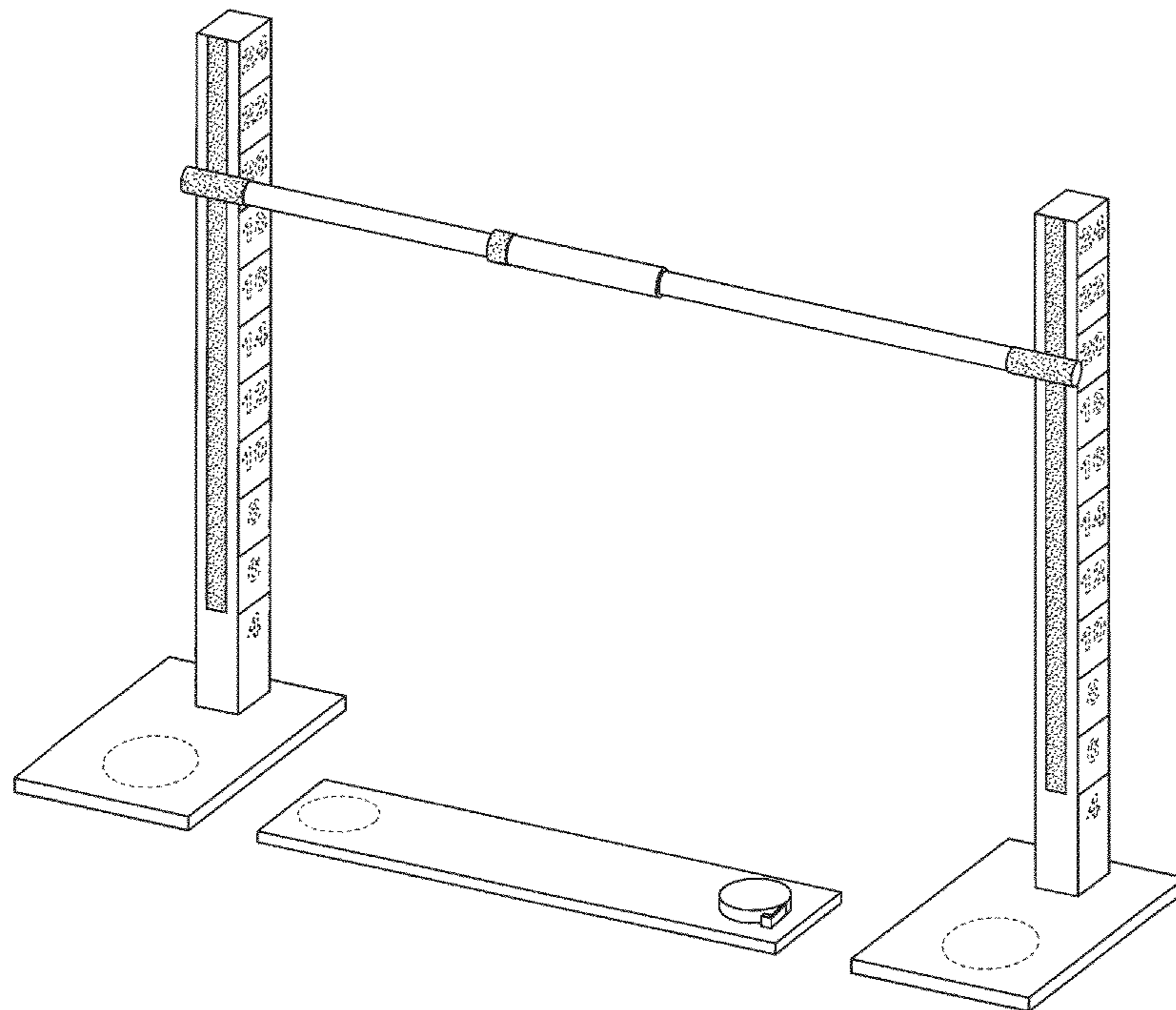
(57) **CLAIM**

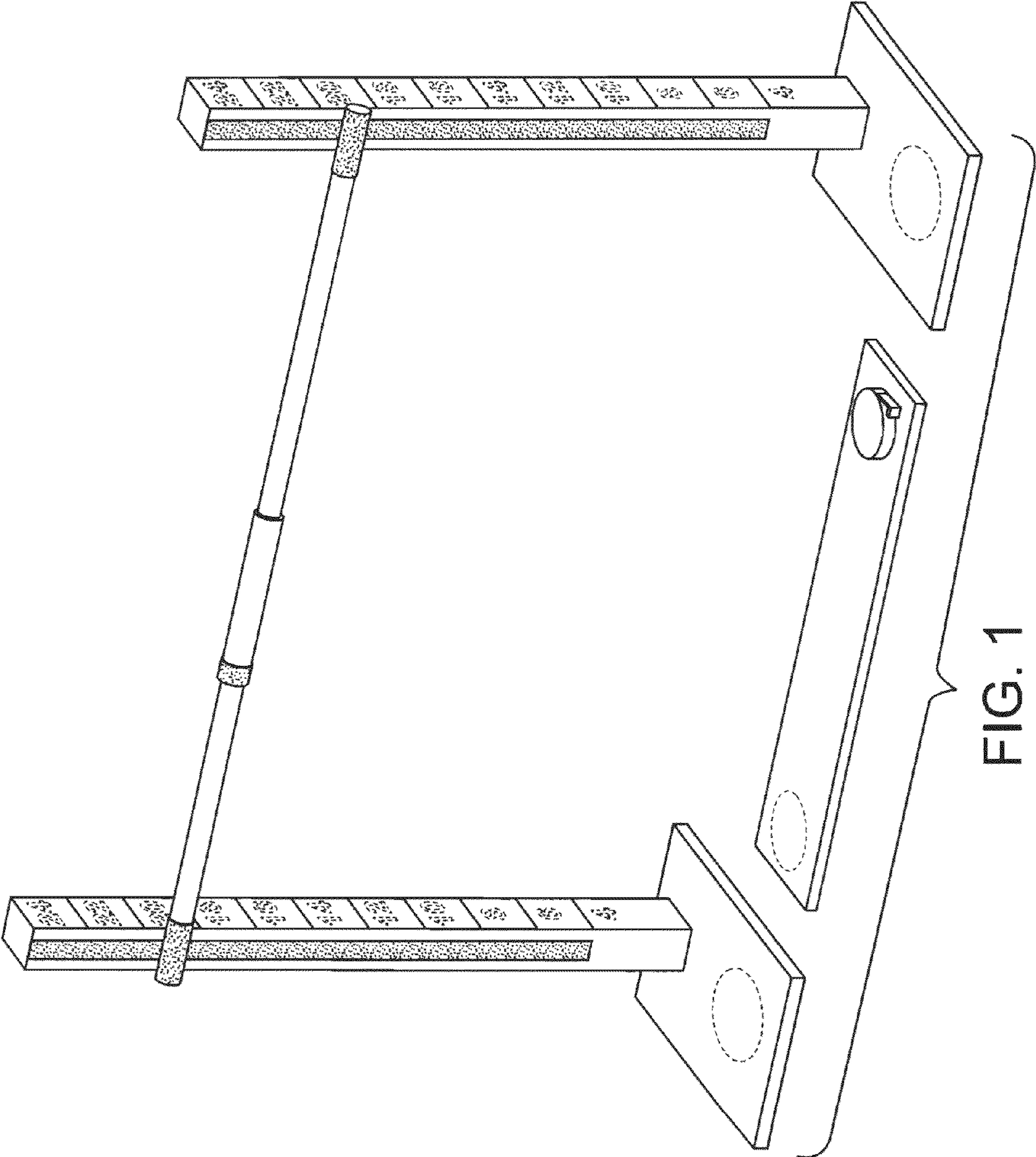
The ornamental design for a jump training toy, as shown and described.

DESCRIPTION

FIG. 1 is a front perspective view of the jump training toy showing my new design;
FIG. 2 is a left side view thereof;
FIG. 3 is a right side view thereof;
FIG. 4 is a top view thereof;
FIG. 5 is a bottom view thereof;
FIG. 6 is a front view thereof;
FIG. 7 is a back view thereof;
FIG. 8 is a front perspective view showing the design with its components in a separated state; and,
FIG. 9 is a front perspective view showing the design with its components in a storage configuration.
The broken lines shown in FIGS. 1-4, 8 and 9 are included for the purpose of illustrating features of the jump training toy that form no part of the claimed design.

1 Claim, 7 Drawing Sheets





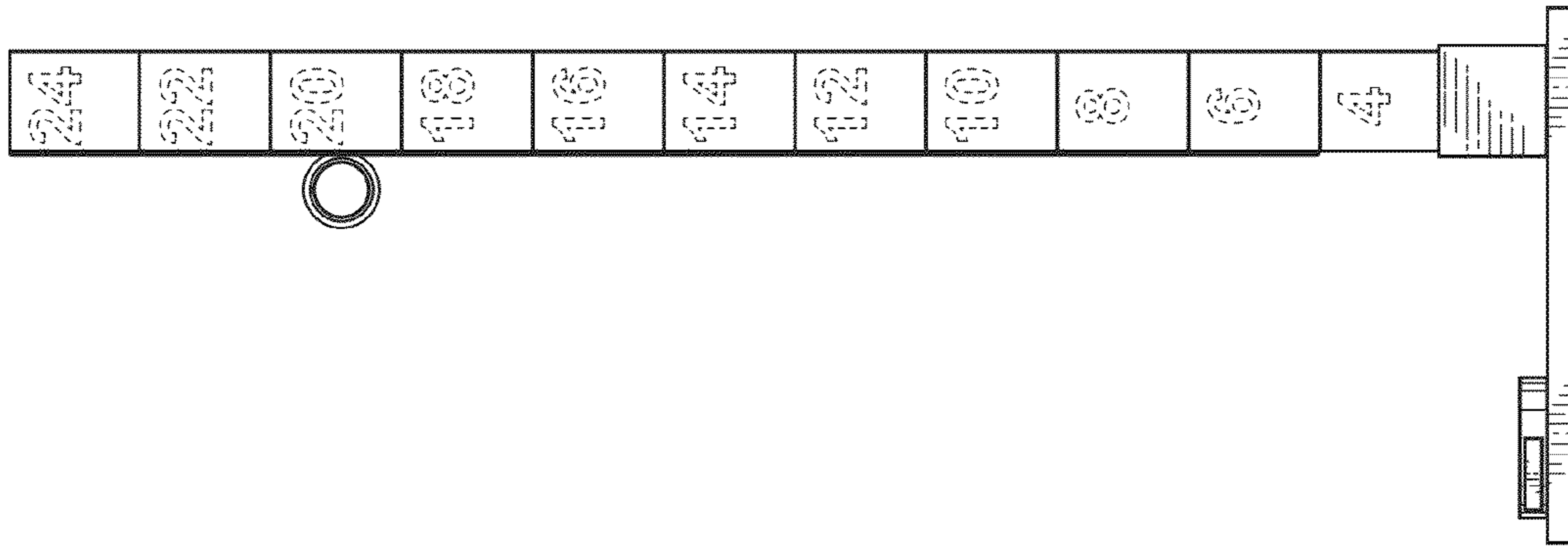


FIG. 2

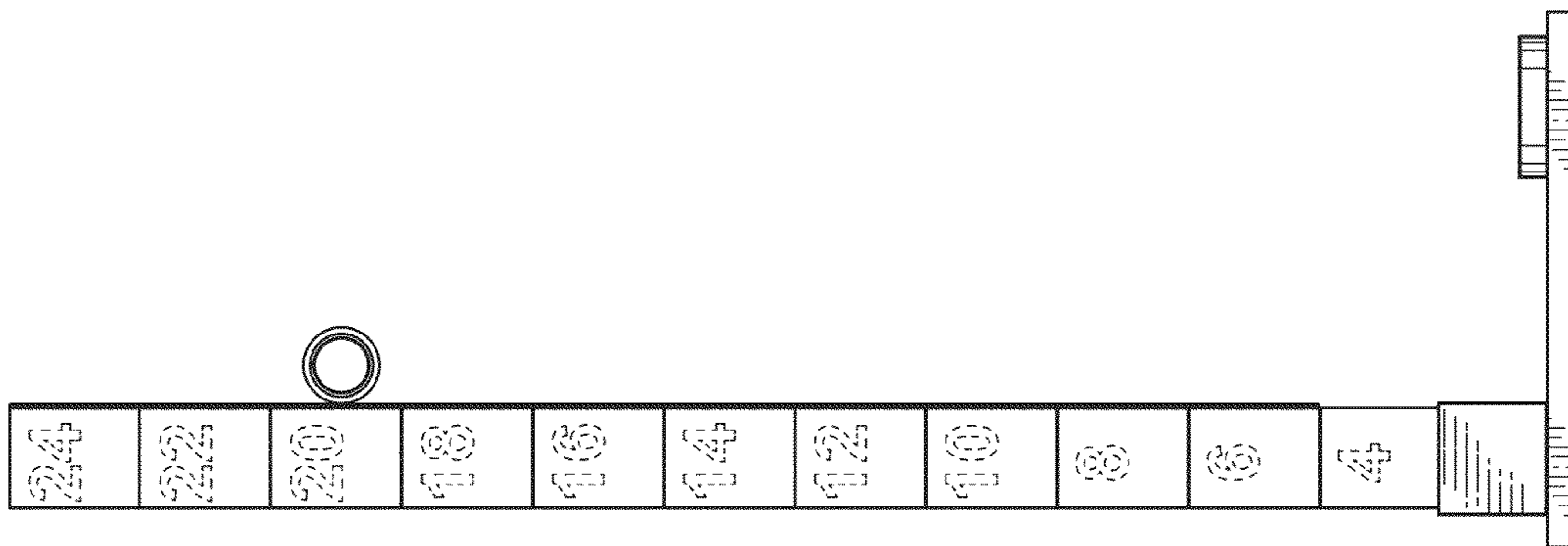


FIG. 3

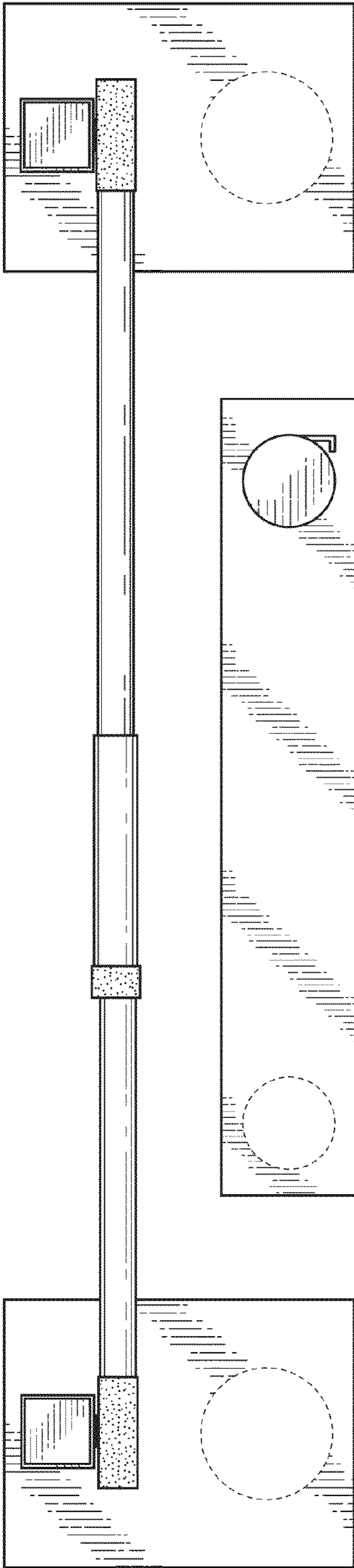


FIG. 4

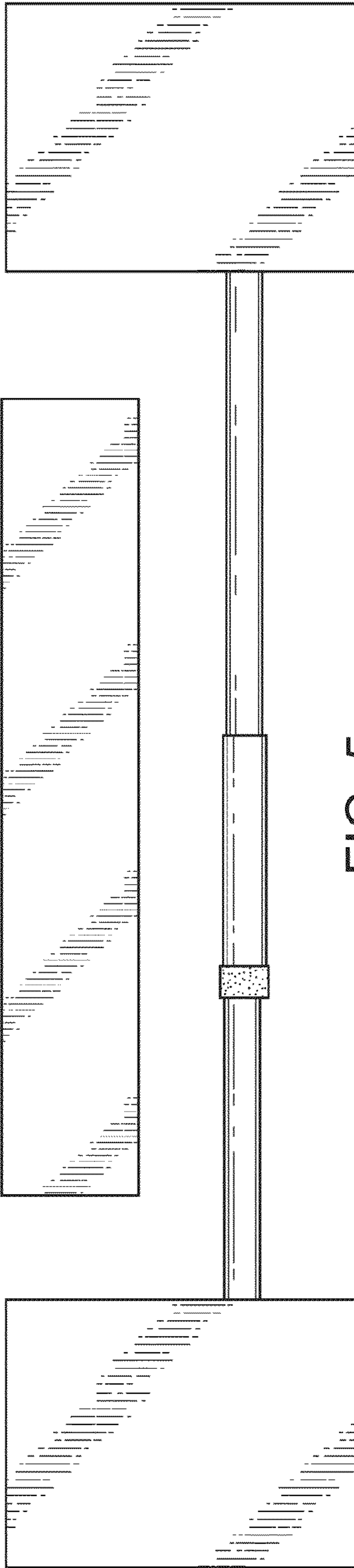


FIG. 5

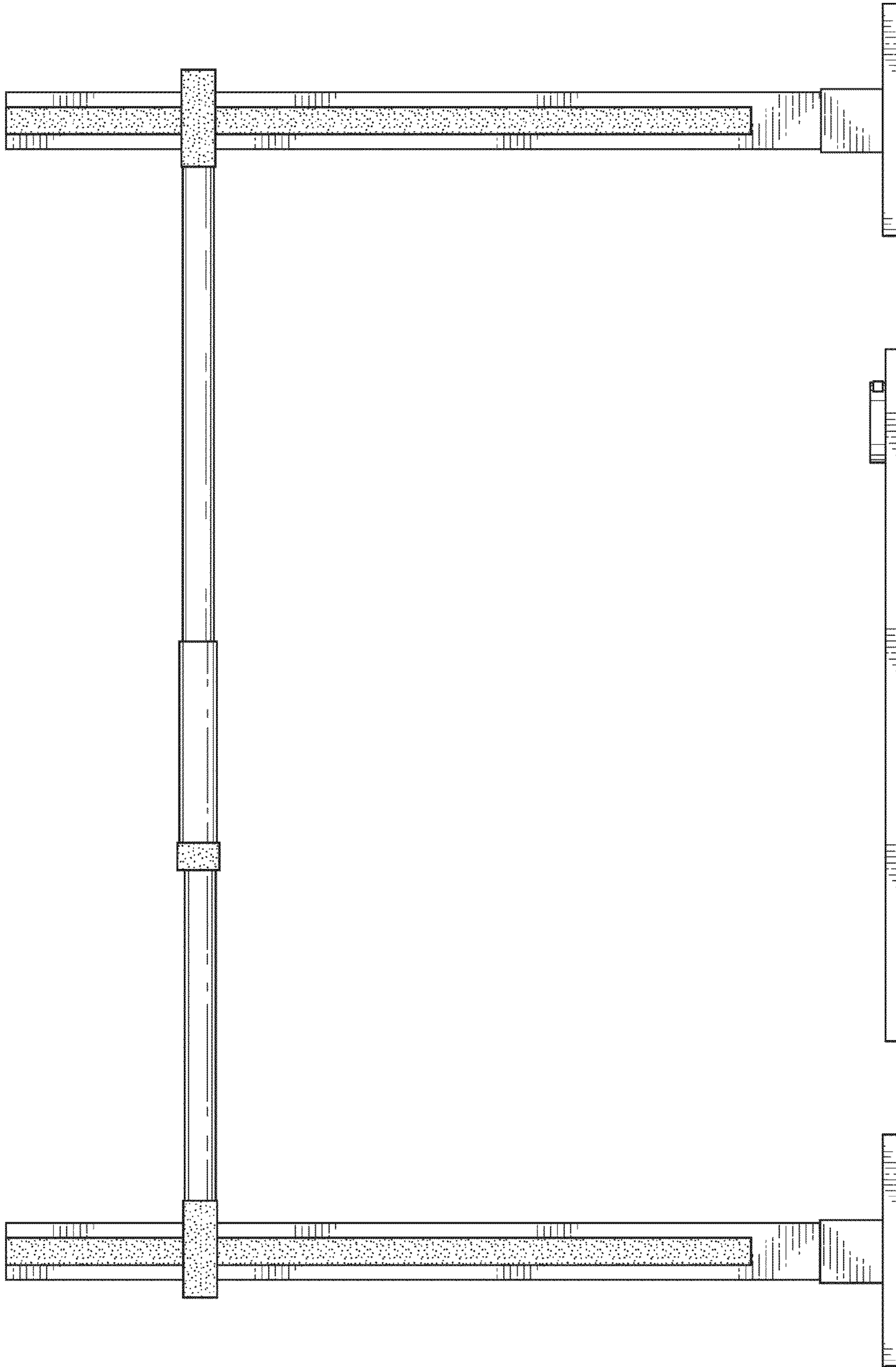


FIG. 6

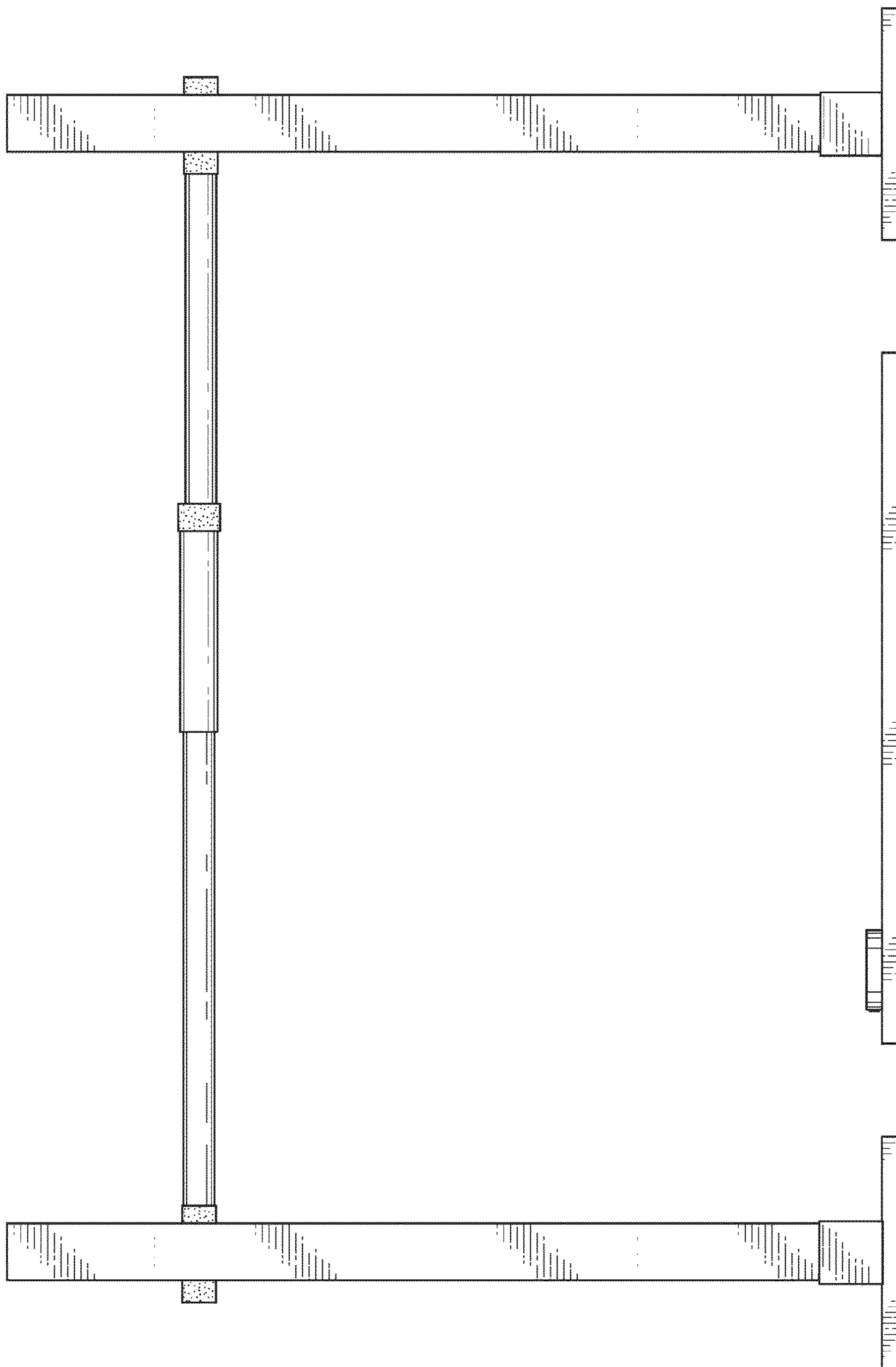


FIG. 7

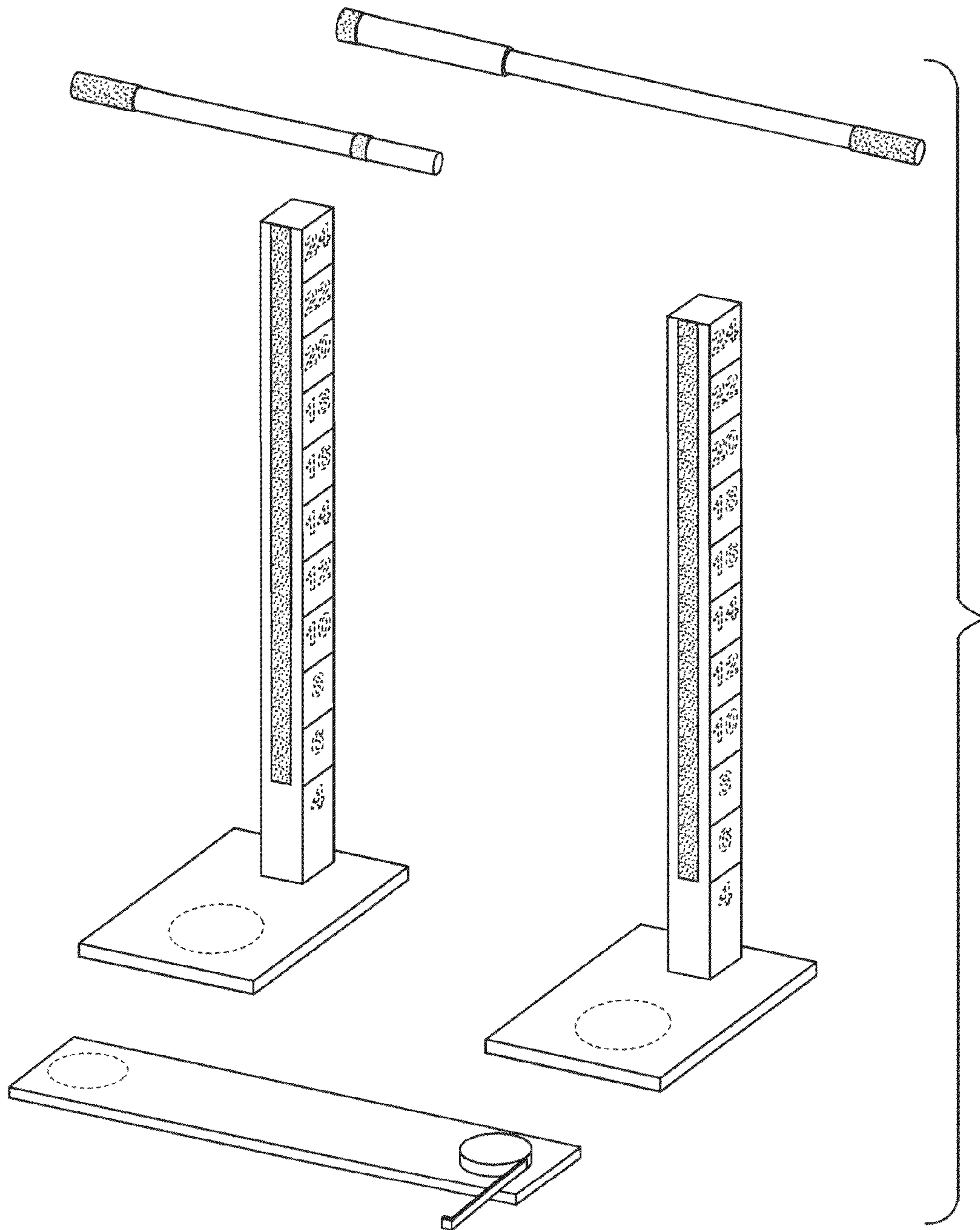


FIG. 8

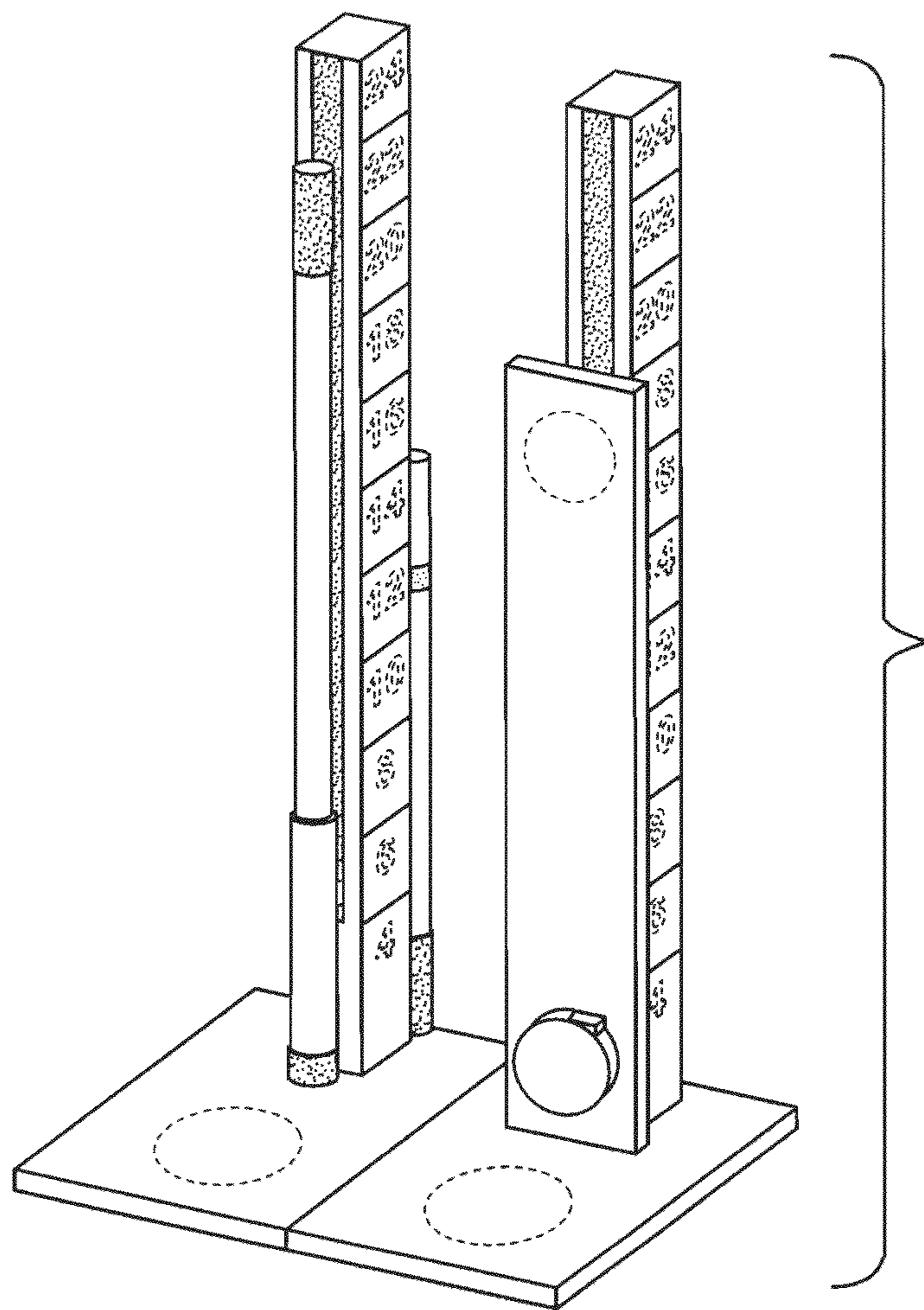


FIG. 9