



US00D707772S

(12) **United States Design Patent**
Oldknow

(10) **Patent No.:** **US D707,772 S**
(45) **Date of Patent:** **** Jun. 24, 2014**

(54) **GOLF CLUB HEAD**
(71) Applicant: **NIKE, Inc.**, Beaverton, OR (US)
(72) Inventor: **Andrew Oldknow**, Beaverton, OR (US)
(73) Assignee: **NIKE, Inc.**, Beaverton, OR (US)
(**) Term: **14 Years**

D639,880 S 6/2011 Roach et al.
D652,093 S * 1/2012 Foster D21/747
D663,369 S * 7/2012 Foster D21/749
D670,775 S 11/2012 Jertson et al.
D674,852 S * 1/2013 Hettinger et al. D21/748
D682,961 S 5/2013 Llewellyn et al.
D685,044 S 6/2013 Oldknow et al.
D685,045 S 6/2013 Oldknow et al.
D685,046 S 6/2013 Oldknow et al.

(21) Appl. No.: **29/465,778**
(22) Filed: **Aug. 30, 2013**
(51) **LOC (10) Cl.** **21-02**
(52) **U.S. Cl.**
USPC **D21/759**
(58) **Field of Classification Search**
CPC A63B 53/00; A63B 53/04; A63B 53/047;
A63B 53/0475
USPC D21/747-751, 759; 473/324-331, 350
See application file for complete search history.

OTHER PUBLICATIONS

Nike Golf Catalog, Golfsmith Clubmaking 2001, p. 49, published 2001.
Nike Golf Catalog, Edwin Watts Golf Summer 2002, p. 17, published 2002.
Nike Golf Catalog, Edwin Watts Golf Jan. 2003, p. 21, published 2002.
Nike Golf Catalog, Edwin Watts Golf Summer 2003, p. 51, published 2003.

(Continued)

Primary Examiner — Mitchell Siegel
(74) *Attorney, Agent, or Firm* — Banner & Witcoff, Ltd.

(56) **References Cited**

U.S. PATENT DOCUMENTS

D327,109 S * 6/1992 Hardman et al. D21/748
D362,885 S * 10/1995 Blough et al. D21/747
D364,435 S * 11/1995 Wood D21/750
D370,514 S * 6/1996 Blough et al. D21/750
D441,821 S * 5/2001 Turner D21/747
D456,056 S 4/2002 Bakke
D464,387 S 10/2002 Rollinson et al.
D544,059 S * 6/2007 Roberts et al. D21/759
D572,781 S 7/2008 Kim et al.
D588,667 S 3/2009 Oldknow
D593,627 S 6/2009 Kim et al.
D598,967 S * 8/2009 Kim et al. D21/747
D598,968 S * 8/2009 Wieland D21/747
D618,293 S * 6/2010 Foster et al. D21/747
D618,743 S 6/2010 Roach et al.
D629,059 S * 12/2010 Foster D21/747
D631,110 S 1/2011 Kim et al.

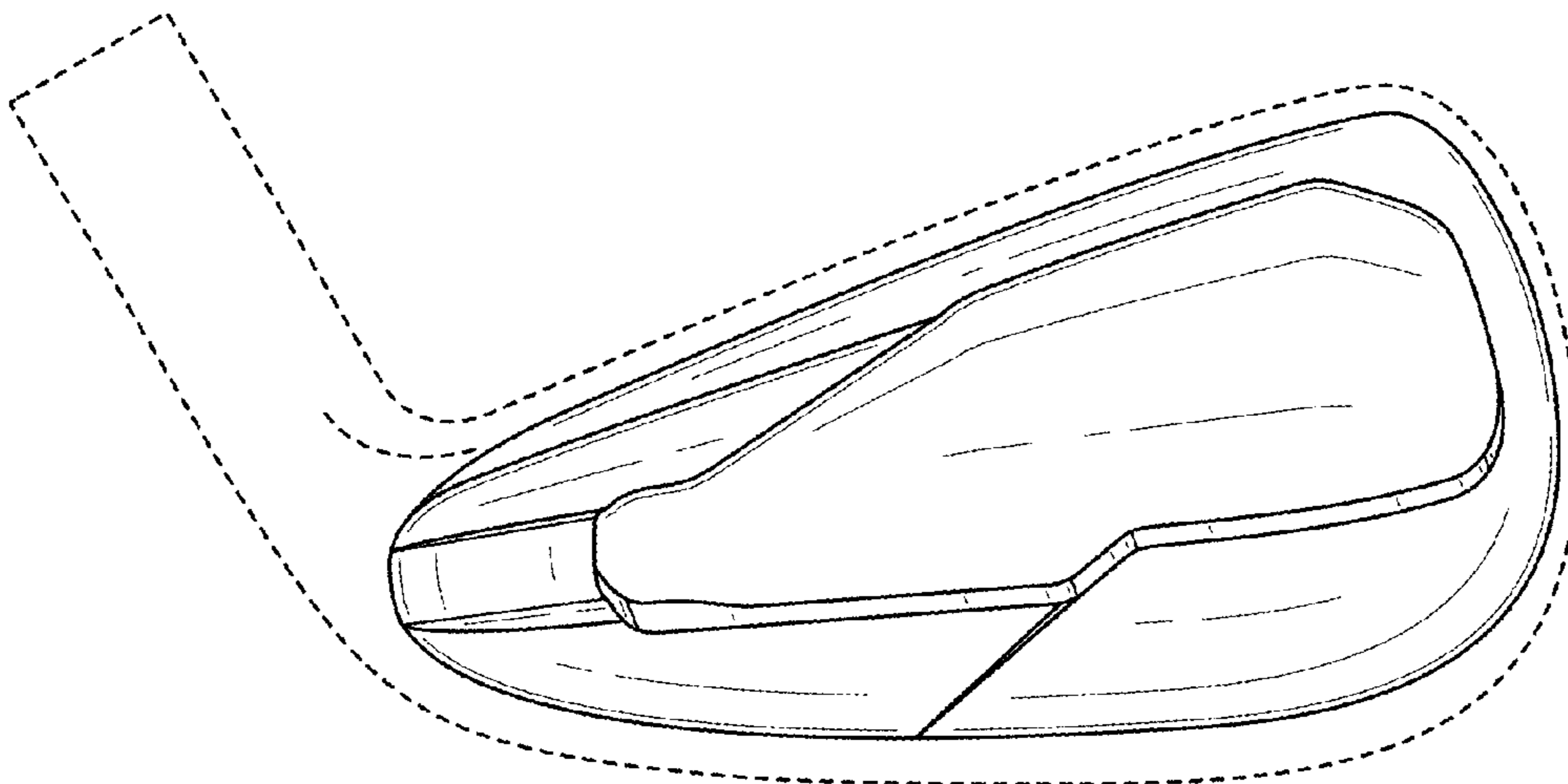
(57) **CLAIM**

The ornamental design for a golf club head, as shown and described.

DESCRIPTION

FIG. 1 is a toe-end perspective view of a golf club head showing my new design;
FIG. 2 is a rear view thereof; and,
FIG. 3 is a heel-end perspective view thereof.
The broken lines immediately adjacent to the shaded area represent unclaimed boundaries of the design. The unshaded regions form no part of the claimed design. The broken lines showing the remainder of the golf club head are for environmental purposes only and form no part of the claimed design.

1 Claim, 3 Drawing Sheets



(56)

References Cited

OTHER PUBLICATIONS

Nike Golf Catalog, Edwin Watts Golf Late Summer 2003, p. 26, published 2003.

Nike Golf Catalog, Edwin Watts Golf Late Summer 2003, p. 28, published 2003.

Nike Golf Catalog, Edwin Watts Golf Father's Day 2003, p. 19, published 2003.

Nike Golf Catalog, Edwin Watts Golf Jan. 2004, p. 57, published 2003.

Nike Golf Catalog, Edwin Watts Golf Holiday 2010, p. 2, published 2010.

Nike Golf Catalog, Edwin Watts Golf Holiday 2010, p. 10, published 2010.

* cited by examiner

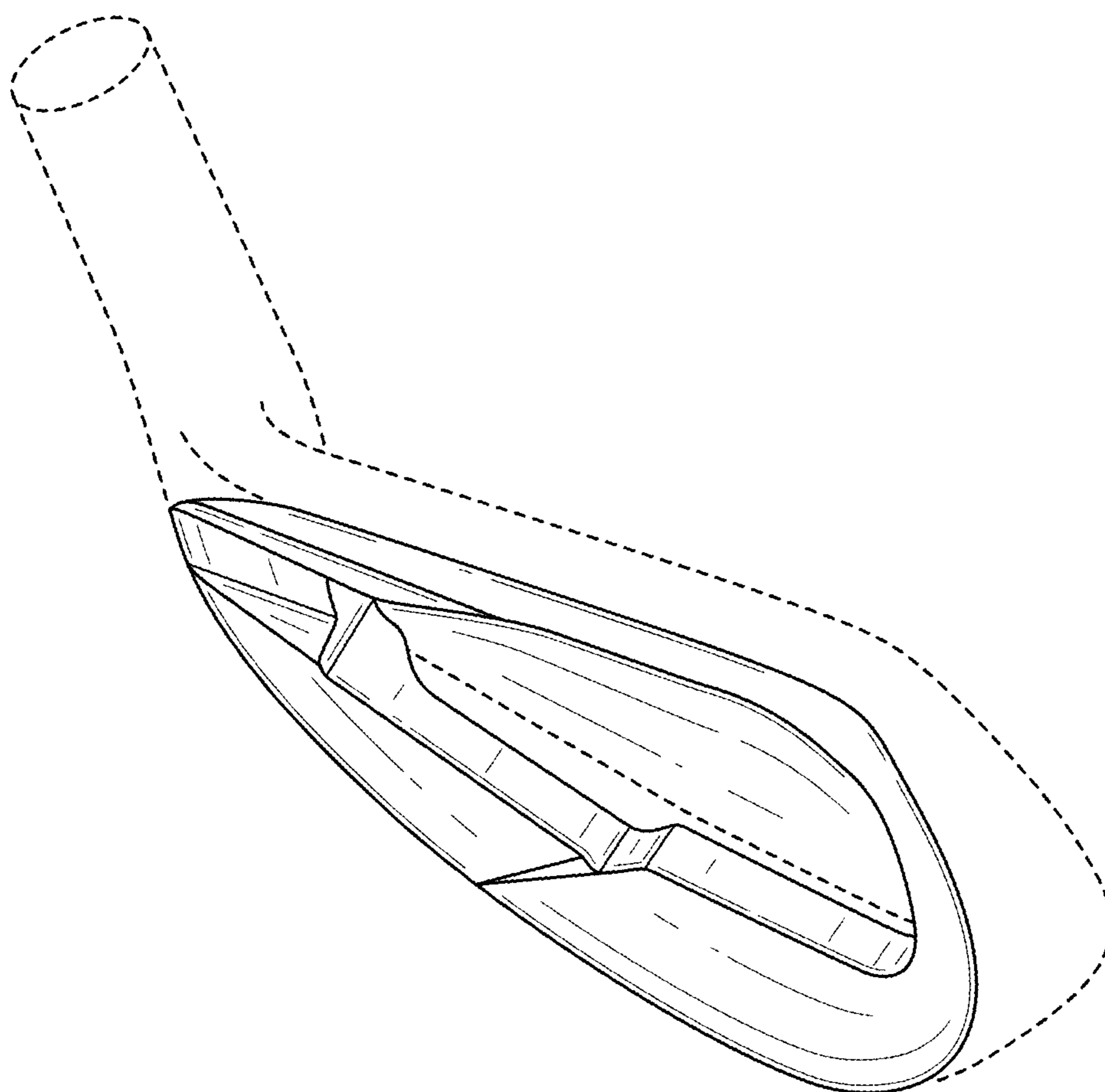


FIG. 1

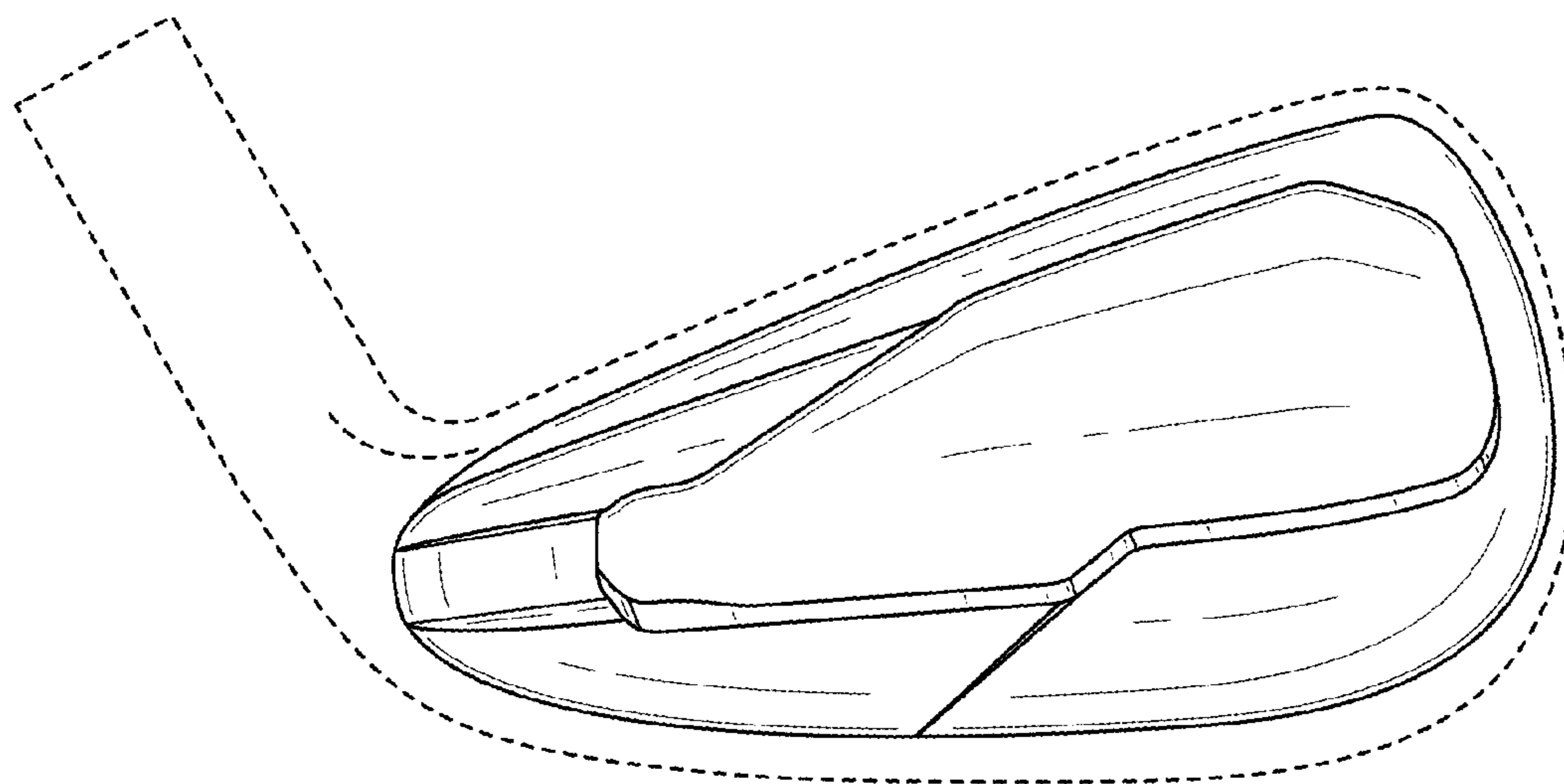


FIG. 2

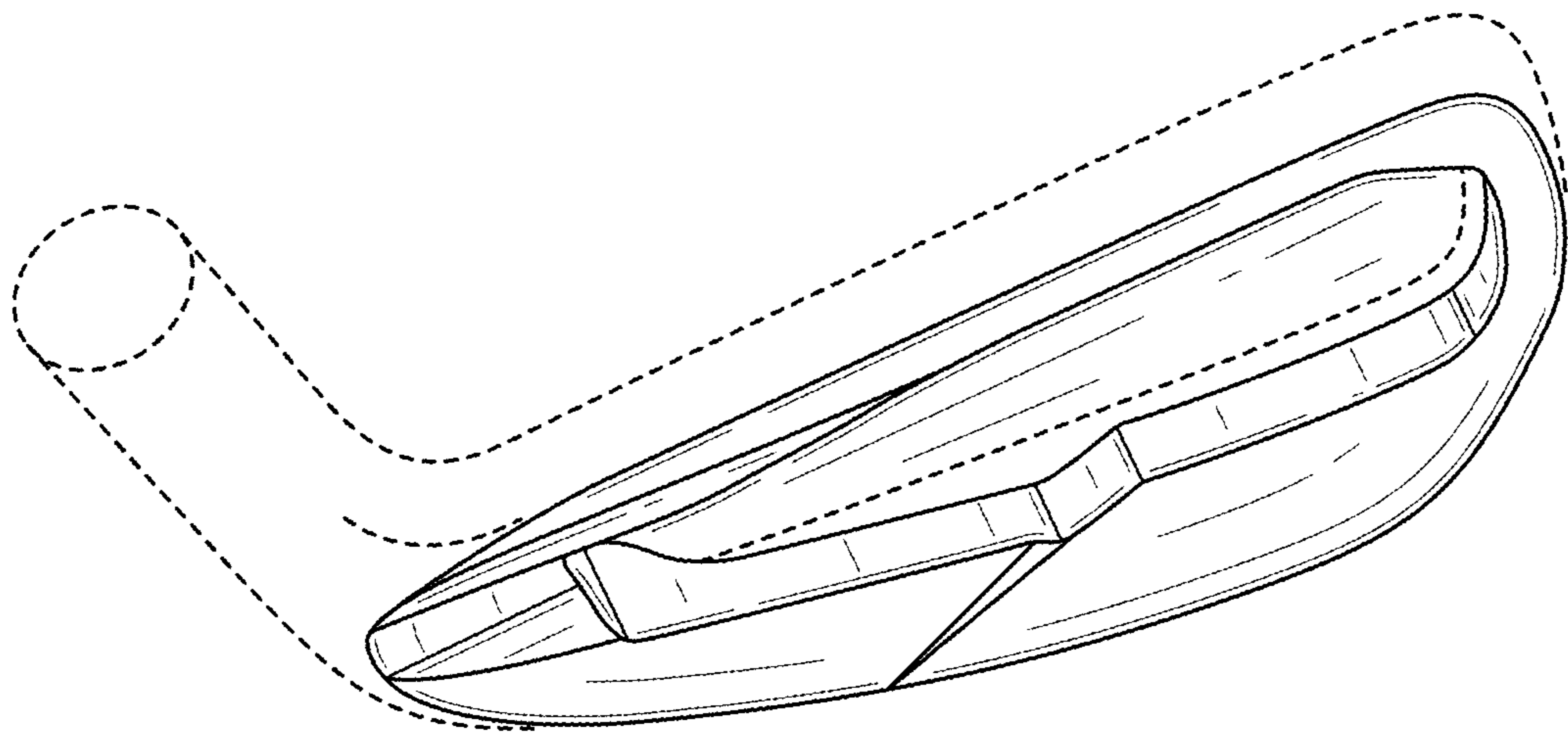


FIG. 3