



US00D707771S

(12) **United States Design Patent**
Cameron

(10) **Patent No.:** **US D707,771 S**
(45) **Date of Patent:** **** Jun. 24, 2014**

- (54) **SOLE OF A PUTTER HEAD**
- (71) Applicant: **Acushnet Company**, Fairhaven, MA (US)
- (72) Inventor: **Don T. Cameron**, Carlsbad, CA (US)
- (73) Assignee: **Acushnet Company**, Fairhaven, MA (US)
- (**) Term: **14 Years**
- (21) Appl. No.: **29/455,092**
- (22) Filed: **May 16, 2013**
- (51) **LOC (10) Cl.** **21-02**
- (52) **U.S. Cl.**
USPC **D21/759**
- (58) **Field of Classification Search**
USPC D21/736-746, 759; 473/324-331,
473/340-341, 251-256
See application file for complete search history.

D532,069 S *	11/2006	Tang et al.	D21/752
D544,933 S *	6/2007	Evans et al.	D21/752
D556,278 S *	11/2007	Mahaffey et al.	D21/747
D570,933 S *	6/2008	Kramski	D21/742
D574,050 S *	7/2008	Jones et al.	D21/759
D661,754 S *	6/2012	Cameron et al.	D21/759

* cited by examiner

Primary Examiner — Mitchell Siegel

(74) *Attorney, Agent, or Firm* — Randy K. Chang

(57) **CLAIM**

The ornamental design for a sole of a putter head, as shown and described.

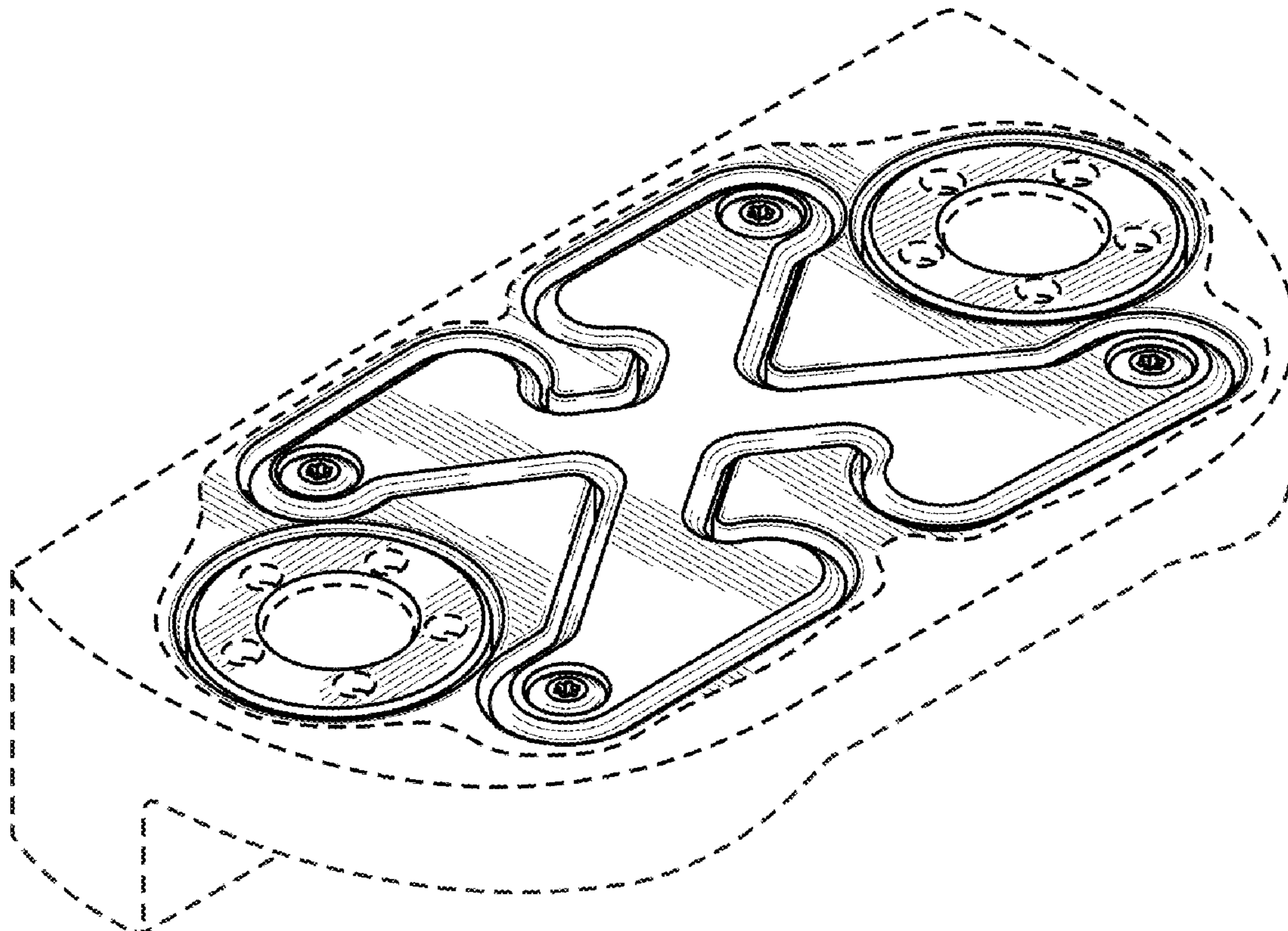
DESCRIPTION

FIG. 1 is a perspective view of a sole of a putter head showing my new design;
 FIG. 2 is a bottom view thereof;
 FIG. 3 is a front view thereof;
 FIG. 4 is a top view thereof;
 FIG. 5 is a back side view thereof;
 FIG. 6 is a toe side view thereof; and,
 FIG. 7 is a heel view thereof.

The portion of the club head shown in phantom are for illustrative purposes only and do not form any portion of the claimed design.

1 Claim, 2 Drawing Sheets

- (56) **References Cited**
U.S. PATENT DOCUMENTS
D510,395 S * 10/2005 Mirafior et al. D21/759
D510,396 S * 10/2005 Rollinson D21/759
D512,757 S * 12/2005 Cleveland et al. D21/747
D530,761 S * 10/2006 Evans et al. D21/752



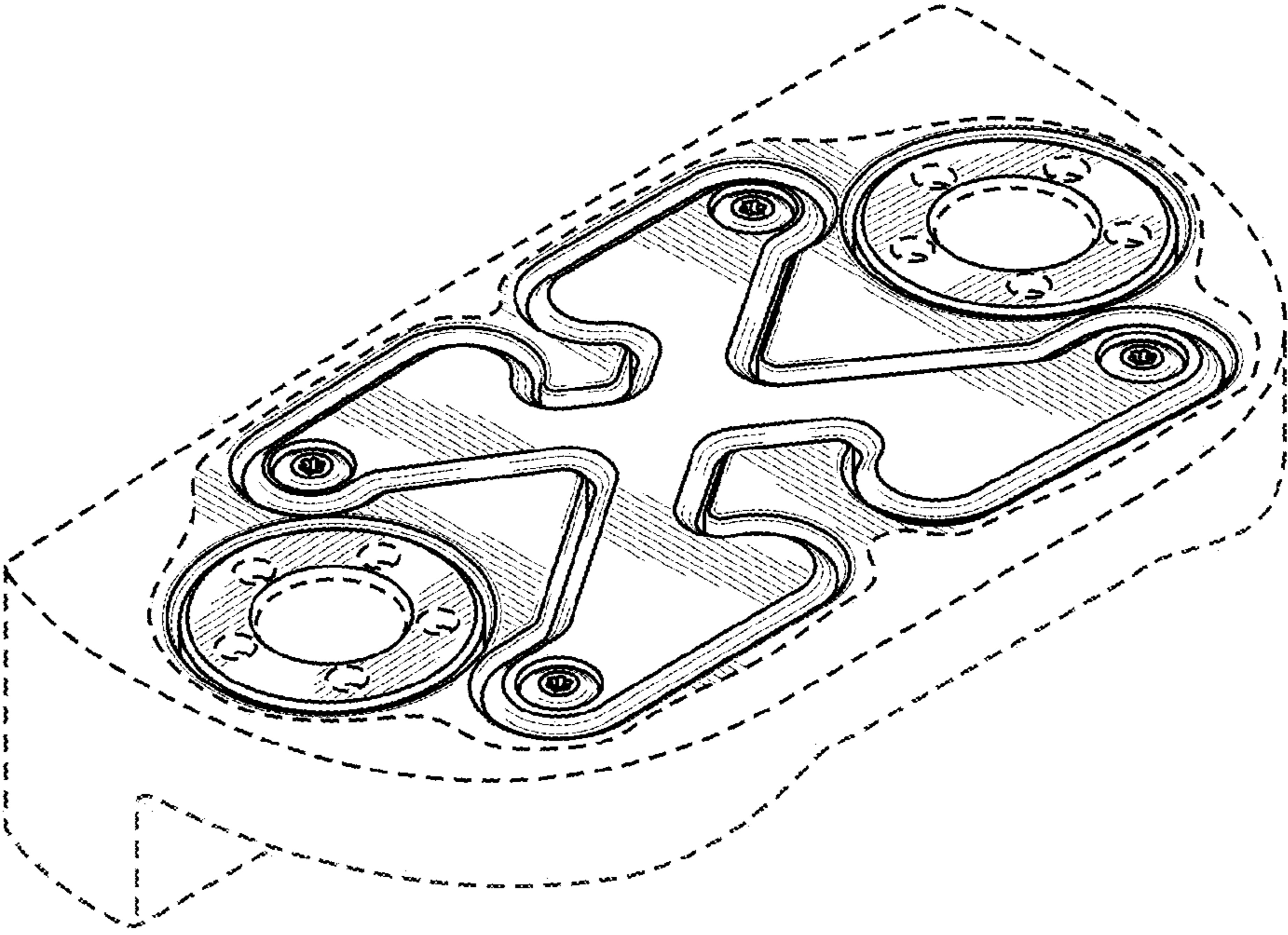


FIG. 1

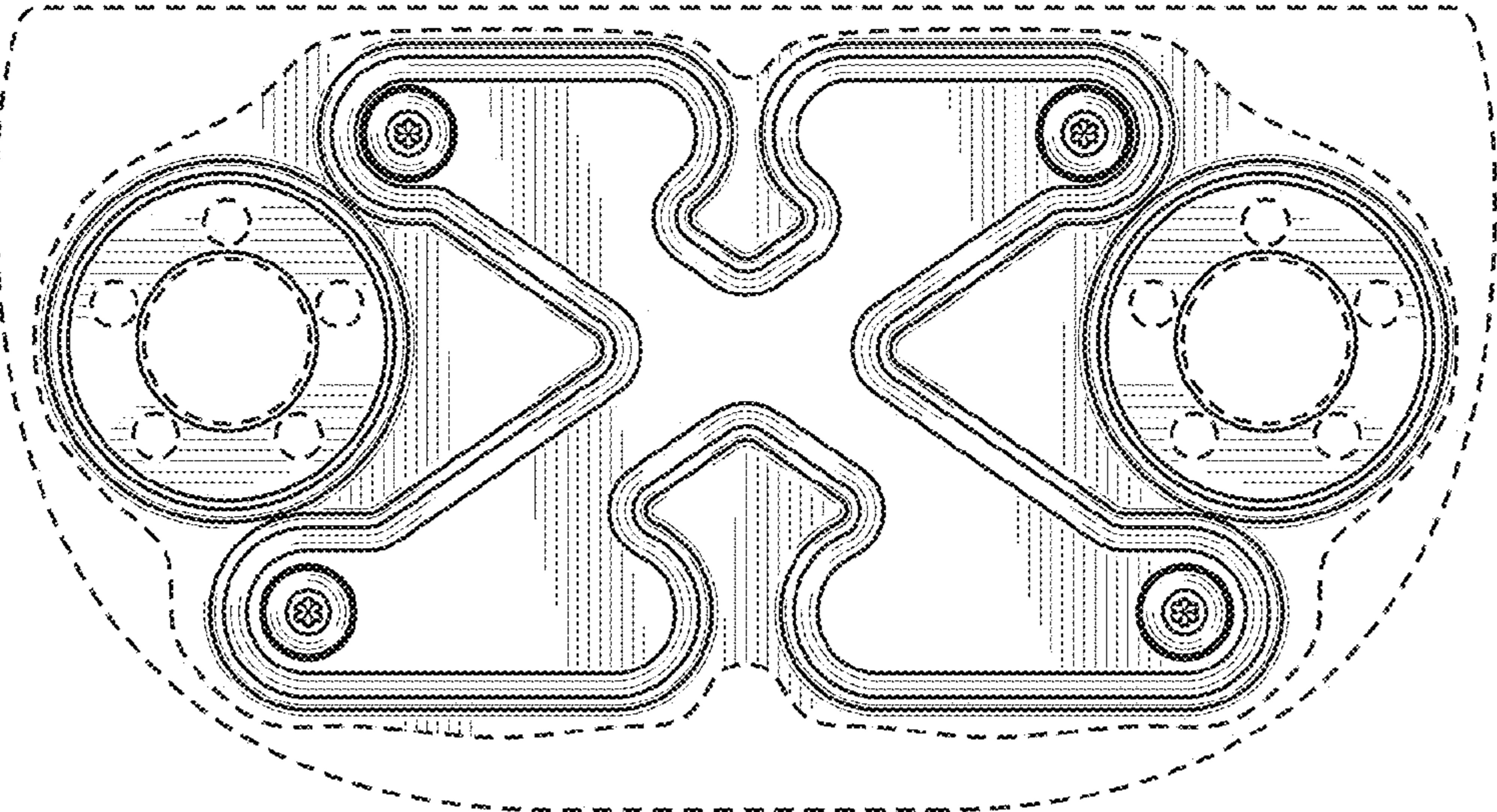


FIG. 2



FIG. 3

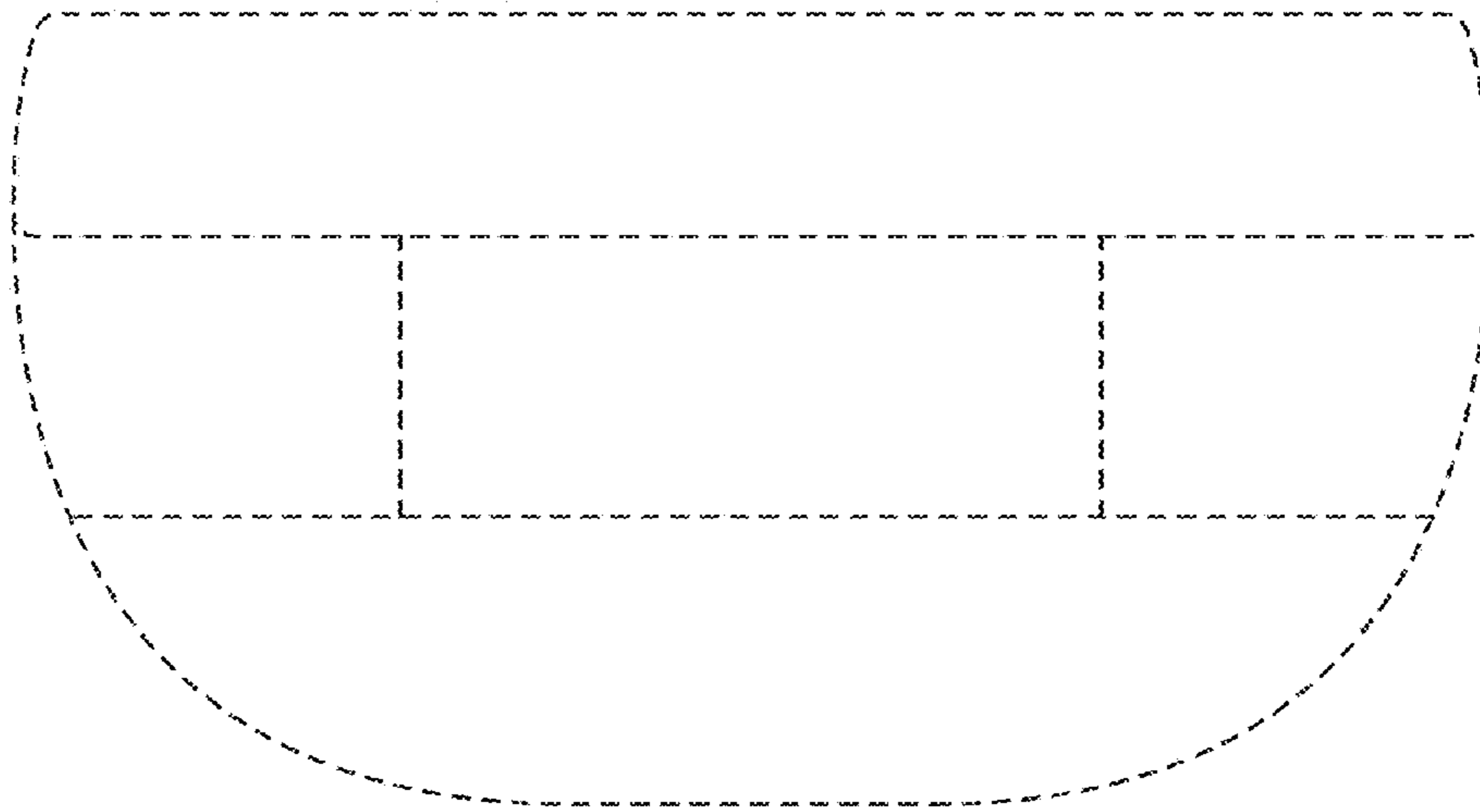


FIG. 4

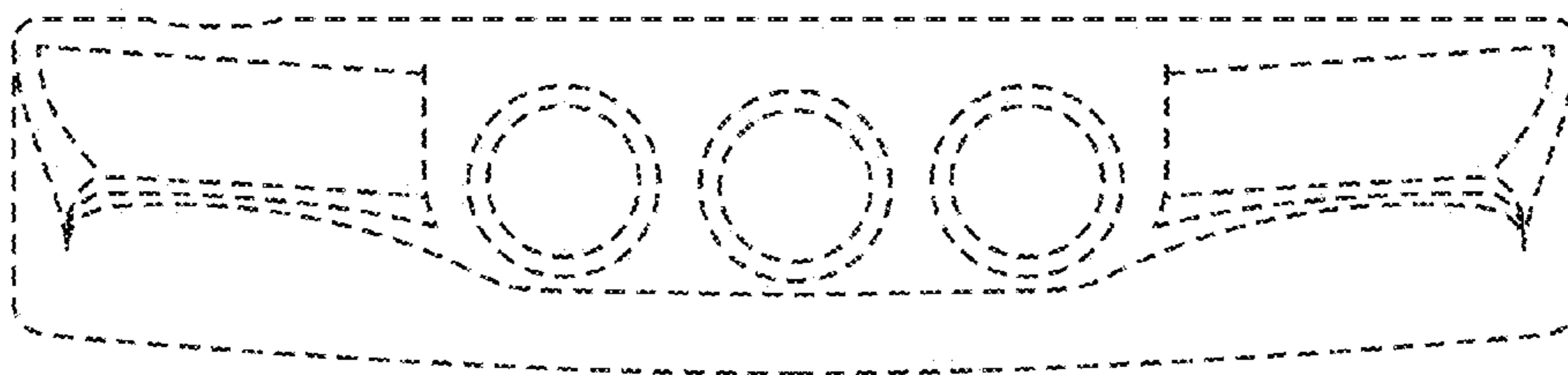


FIG. 5

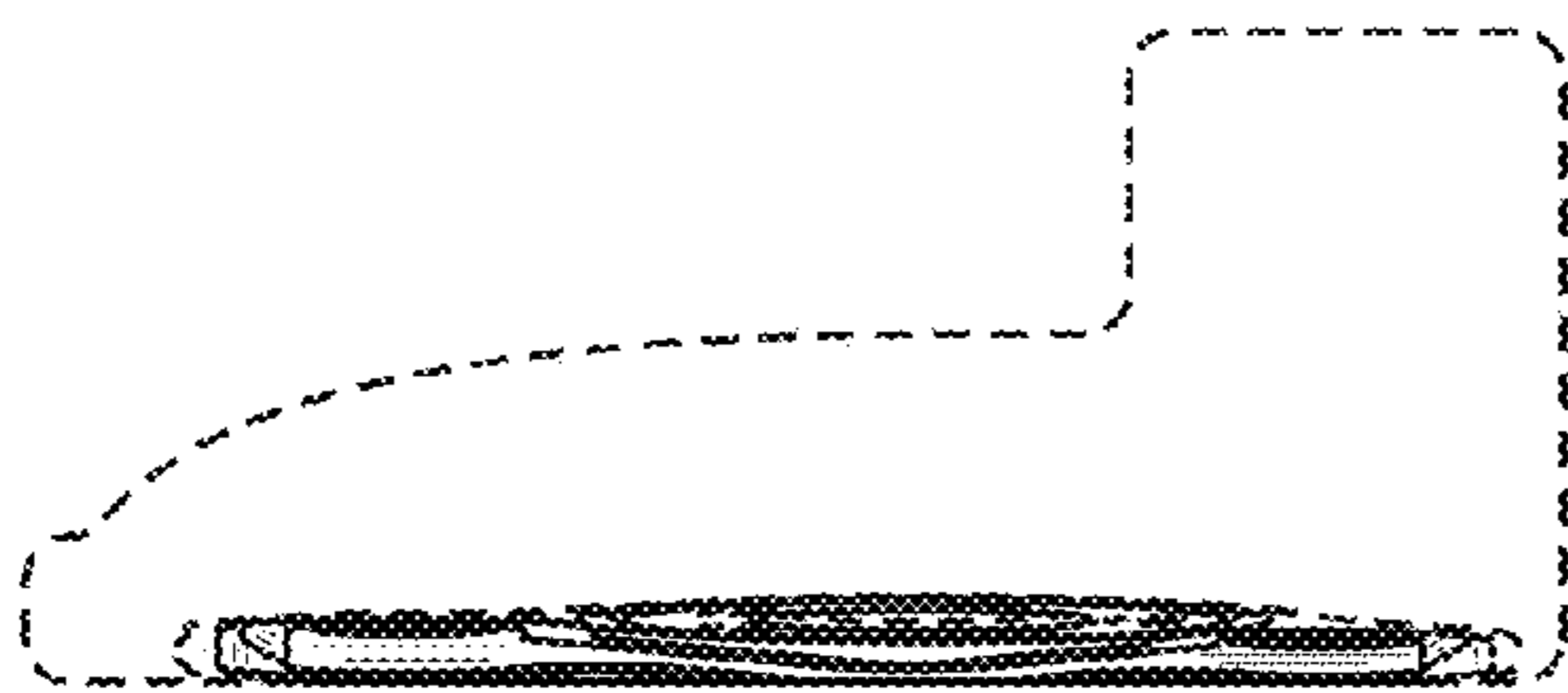


FIG. 6

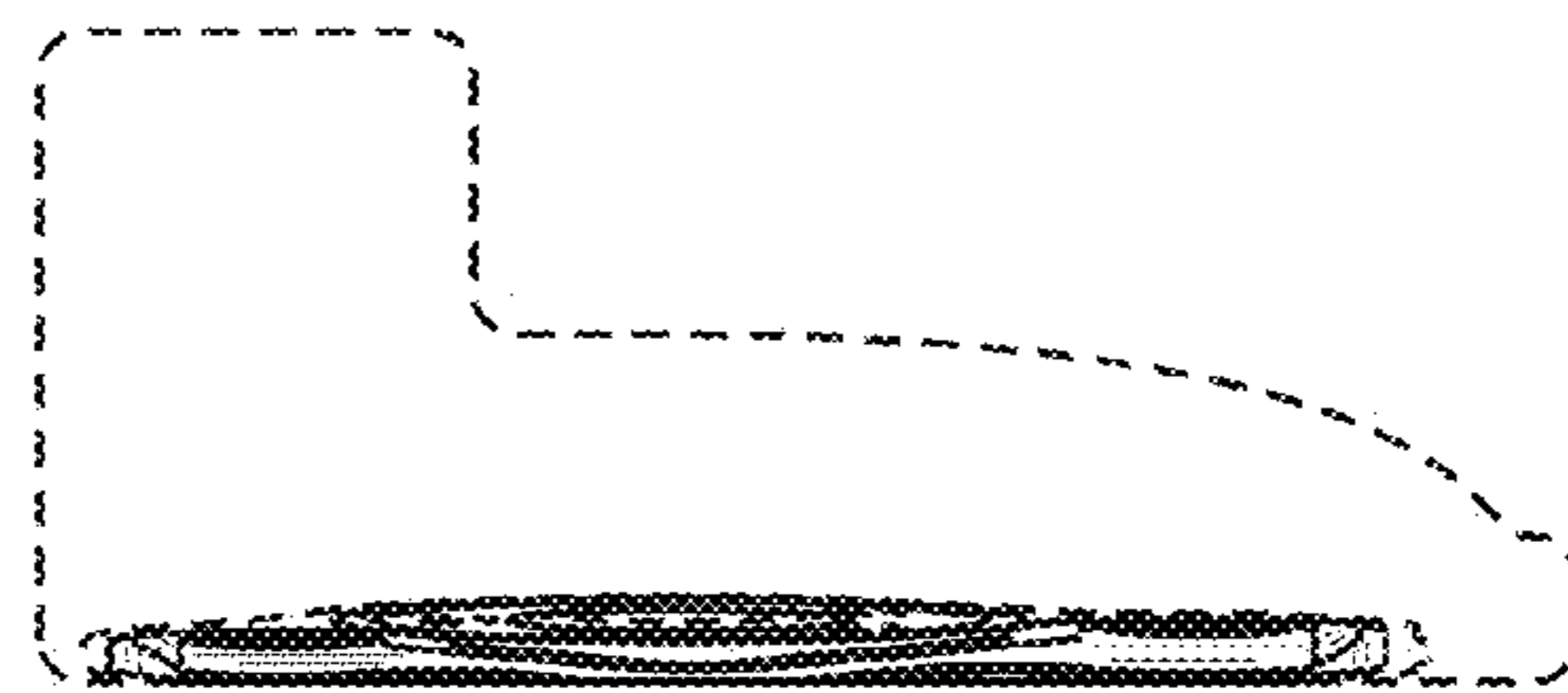


FIG. 7