



US00D707764S

(12) **United States Design Patent**
Deveaux

(10) **Patent No.:** **US D707,764 S**
(45) **Date of Patent:** **** Jun. 24, 2014**

- (54) **WPA REGULATION SIZE BALL**
 - (71) Applicant: **Pierre Deveaux**, Columbus, OH (US)
 - (72) Inventor: **Pierre Deveaux**, Columbus, OH (US)
 - (**) Term: **14 Years**
 - (21) Appl. No.: **29/447,890**
 - (22) Filed: **Mar. 7, 2013**
 - (51) **LOC (10) Cl.** **21-02**
 - (52) **U.S. Cl.**
USPC **D21/713**
 - (58) **Field of Classification Search**
USPC D21/707-714; D30/160; D11/43, 44,
D11/48, 70, 76, 79, 81, 89, 90, 121, 124,
D11/125; 473/52, 53, 125-130, 280, 281,
473/351-385, 413, 569-615,
473/FOR. 134-FOR. 167; 40/327; 446/400,
446/431, 437, 438, 439, 475, 484, 486, 487,
446/490
- See application file for complete search history.

- (56) **References Cited**
- U.S. PATENT DOCUMENTS
- D5,556 S * 2/1872 Pettengill D21/728
- 984,463 A * 2/1911 Beltran 473/52
- 1,118,727 A * 11/1914 Bibeault 473/52
- 3,759,513 A * 9/1973 Gillett 482/22
- 3,829,348 A * 8/1974 Spiegel et al. 428/11
- 4,438,924 A * 3/1984 Carr 473/613
- 5,116,048 A * 5/1992 Bilocerkowycz
et al. 273/108.21

(Continued)

- FOREIGN PATENT DOCUMENTS
- CN 3573770 * 10/2006
- CN 300788288 * 6/2008

(Continued)

OTHER PUBLICATIONS

Balls depicted on webpage: http://web.archive.org/web/20121110192947im_/http://widescreen-wallpaper.eu/thumbs/striped_balls-t2.jpg Web Archive display date: Nov. 10, 2012.*

Horas de diversion con balones—Hours of fun with play-balls by KICO (product brochure) received in PTO Feb. 23, 1995: Ref. 2201 & Ref. 2904.*

(Continued)

Primary Examiner — Catherine Tuttle
(74) *Attorney, Agent, or Firm* — Weitzman Law Offices, LLC

(57) **CLAIM**
I claim the ornamental design for a WPA regulation size ball, as shown and described.

DESCRIPTION

FIG. 1 is a perspective view showing my design for the WPA regulation size ball of WPA standard diameter, in which the stipple shading indicates ball regions having the look of a polished-metal mirror finish, the broken-line disclosure being for illustrative purposes only and forming no part of the claimed design;

FIG. 2 is a top plan view thereof, the broken-line disclosure being for illustrative purposes only and forming no part of the claimed design;

FIG. 3 is a front elevational view thereof, the broken-line disclosure being for illustrative purposes only and forming no part of the claimed design;

FIG. 4 is right side elevational view thereof, the broken-line disclosure being for illustrative purposes only and forming no part of the claimed design;

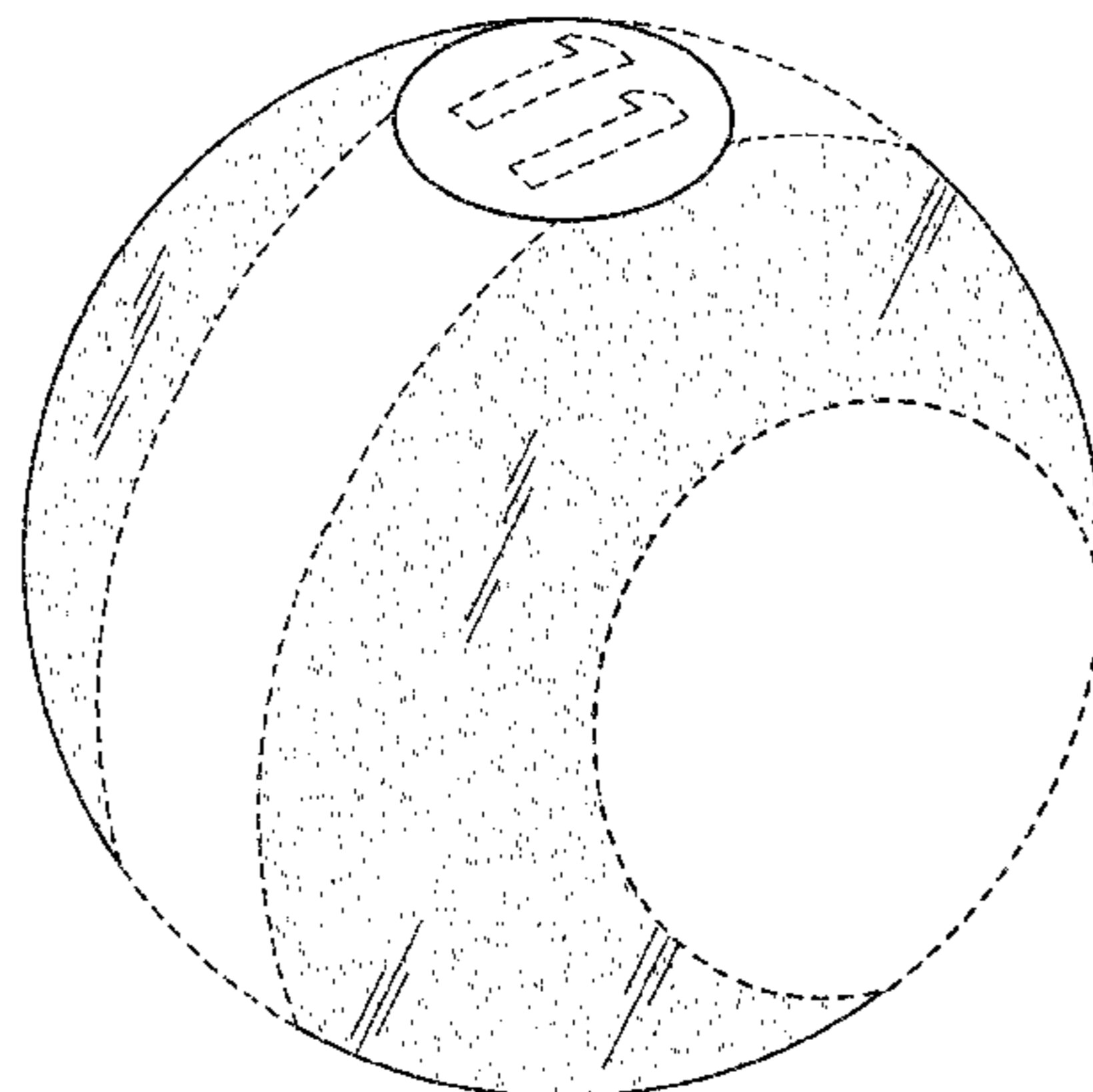
FIG. 5 is a left side elevational view thereof, the broken-line disclosure being for illustrative purposes only and forming no part of the claimed design;

FIG. 6 is a rear elevational view thereof, the broken-line disclosure being for illustrative purposes only and forming no part of the claimed design; and,

FIG. 7 is a bottom plan view thereof, the broken-line disclosure being for illustrative purposes only and forming no part of the claimed design.

A characteristic feature of my design resides in the polished-metal mirror surface appearance within the shaded ball regions.

1 Claim, 4 Drawing Sheets



(56)

References Cited

U.S. PATENT DOCUMENTS

D333,499 S * 2/1993 Perrone D21/713
 5,542,680 A * 8/1996 Proudfit et al. 473/378
 5,716,283 A * 2/1998 Simpson et al. 473/2
 5,871,405 A * 2/1999 Sardo 473/40
 5,941,778 A * 8/1999 Vasalech 473/1
 D440,963 S * 4/2001 Mueth D14/232
 6,319,141 B1 * 11/2001 Cartee 473/20
 D487,911 S * 3/2004 Cheney D21/713
 D505,464 S * 5/2005 Shih D21/713
 D521,681 S * 5/2006 Xu D27/148
 7,037,206 B2 * 5/2006 Fliedner et al. 473/40
 D544,930 S * 6/2007 Farrell D21/713
 D655,358 S * 3/2012 Barrett D21/708
 2004/0093781 A1 * 5/2004 Sievers 40/745
 2006/0270481 A1 * 11/2006 Schmall 473/52
 2009/0054168 A1 * 2/2009 Bilgen et al. 473/1
 2011/0269559 A1 * 11/2011 Burnett 473/1

FOREIGN PATENT DOCUMENTS

CN 301014029 * 9/2009
 CN 301968362 * 6/2012
 EM 000950399-0003 * 7/2008

OTHER PUBLICATIONS

New Colorful 1965 Barr Pla-Balls are Fun (product brochure): balls indicated by arrows A, B & C on p. 13.*
 Ball indicated by arrow on p. 3 of webpage: <http://www.newhorizonssoccer.com/soccer-equipment-level.html/icOid/548>.*
 Pool Balls shown on webpage: <http://web.archive.org/web/20110429190413/http://www.abcbilliardplus.com/Pages/LunarBalls.htm> Web Archive display date: Apr. 29, 2011.*
 World Pool-Billiard Association, WPA Tournament Table & Equipment Specifications (effective Nov. 2001).

* cited by examiner

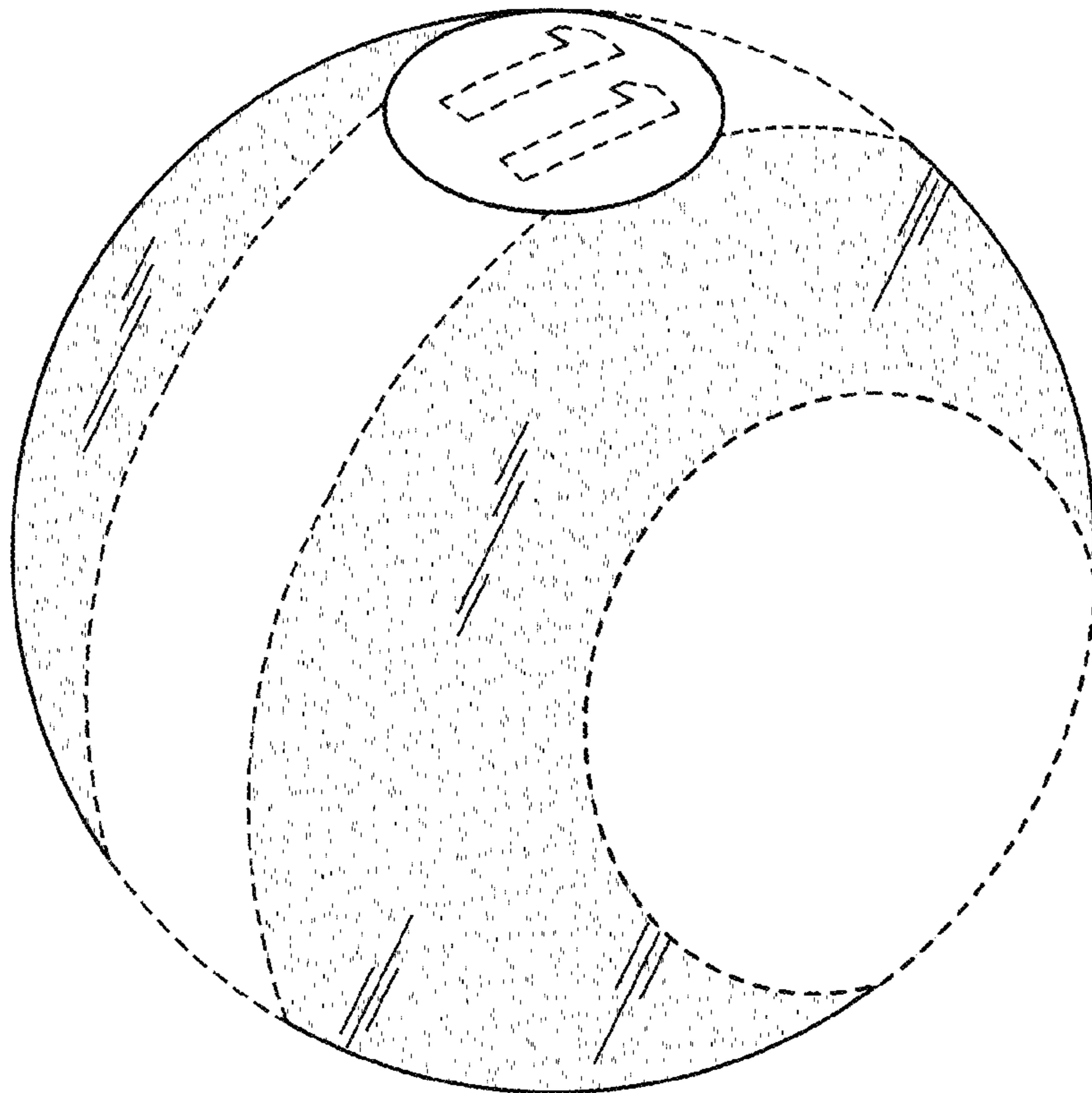


FIG. 1

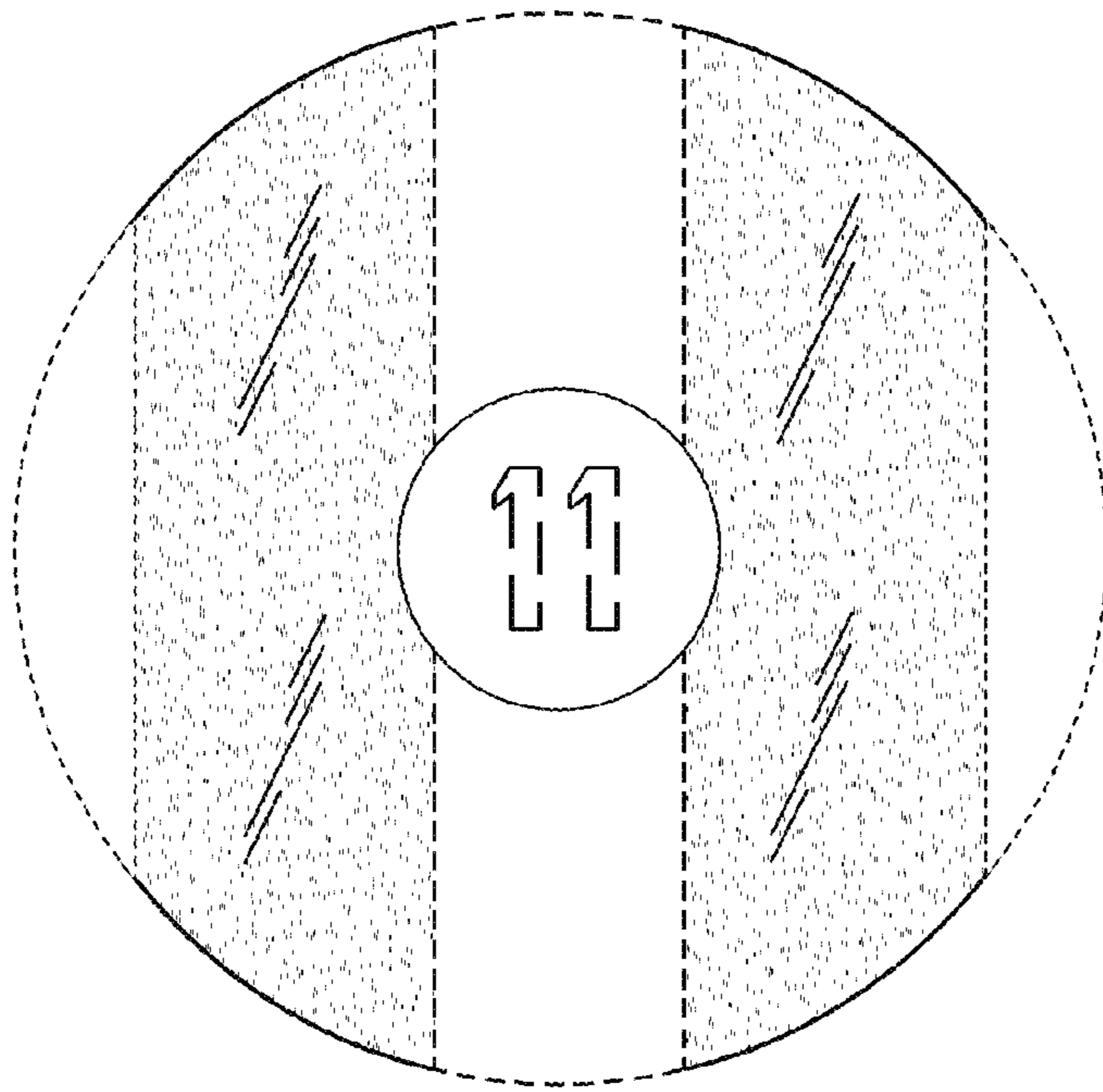


FIG. 2

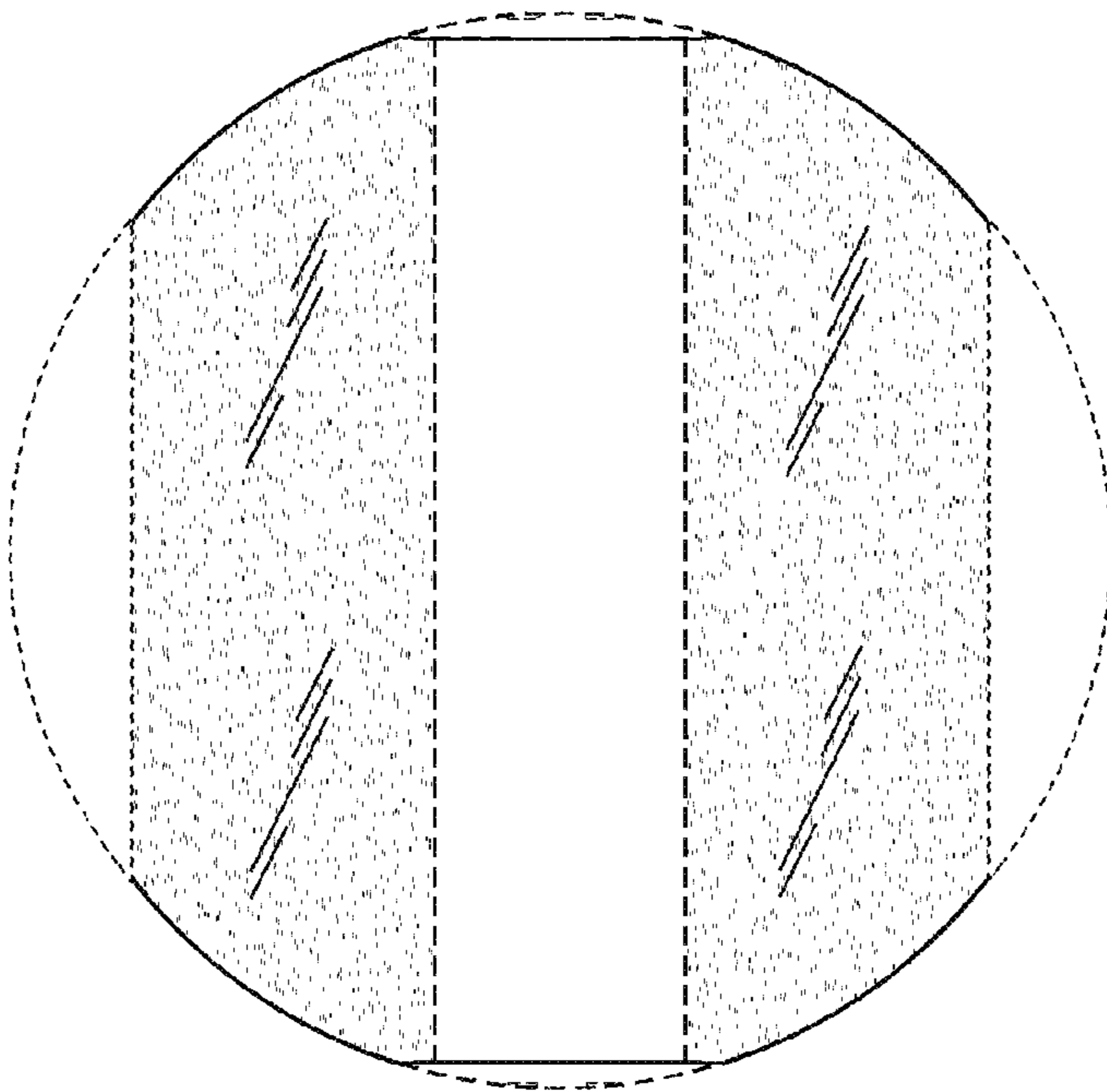


FIG. 3

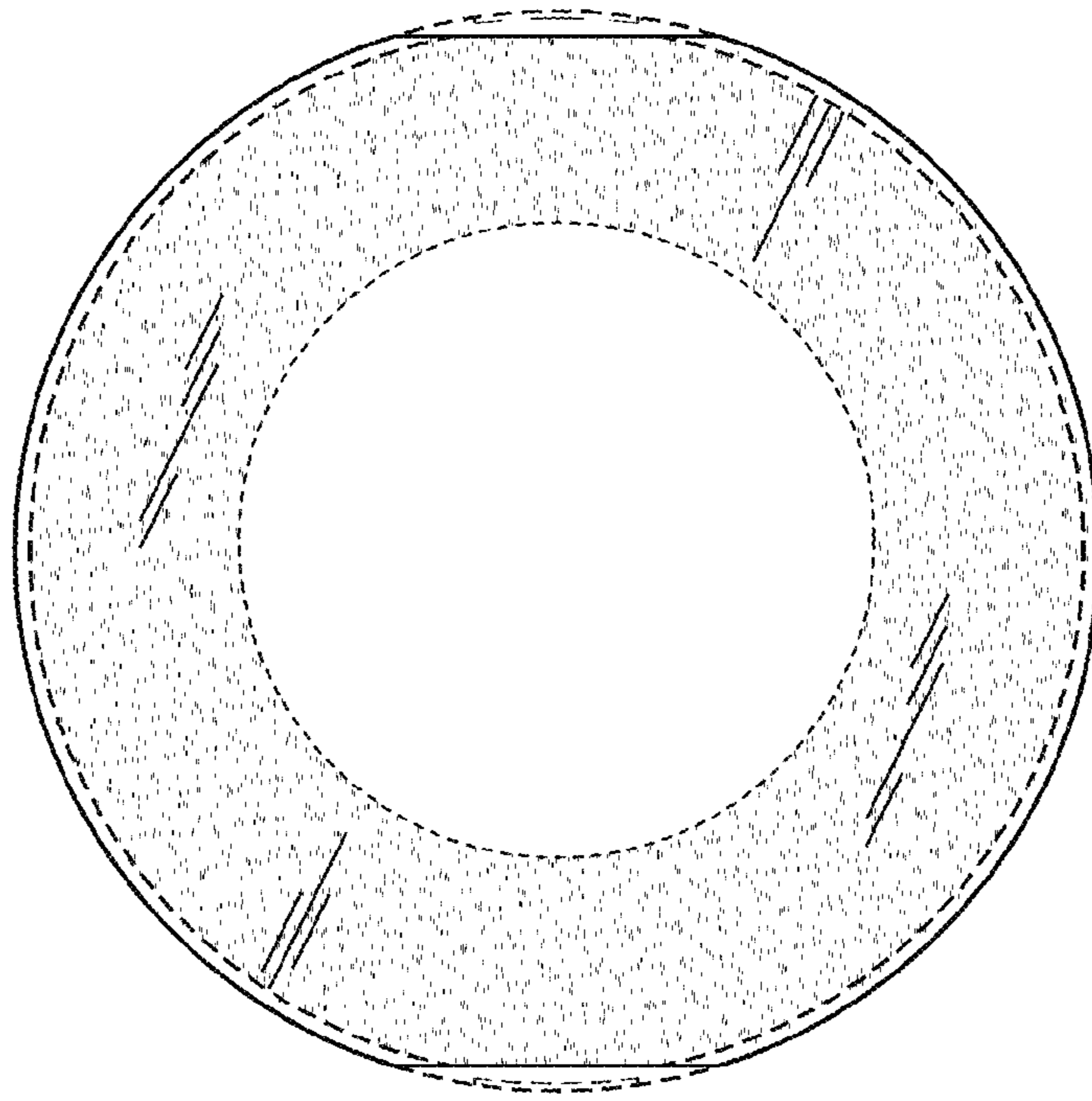


FIG. 4

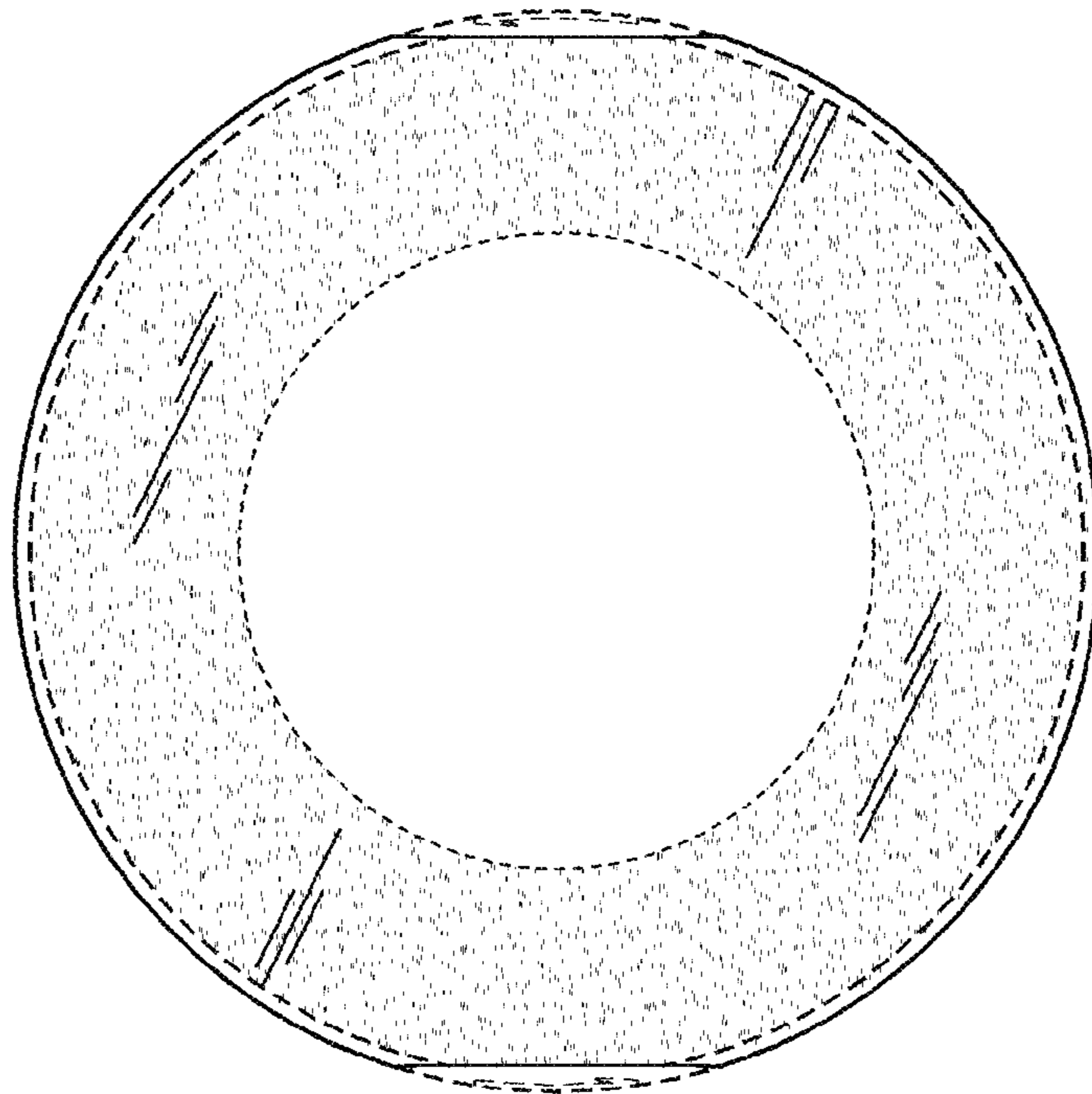


FIG. 5

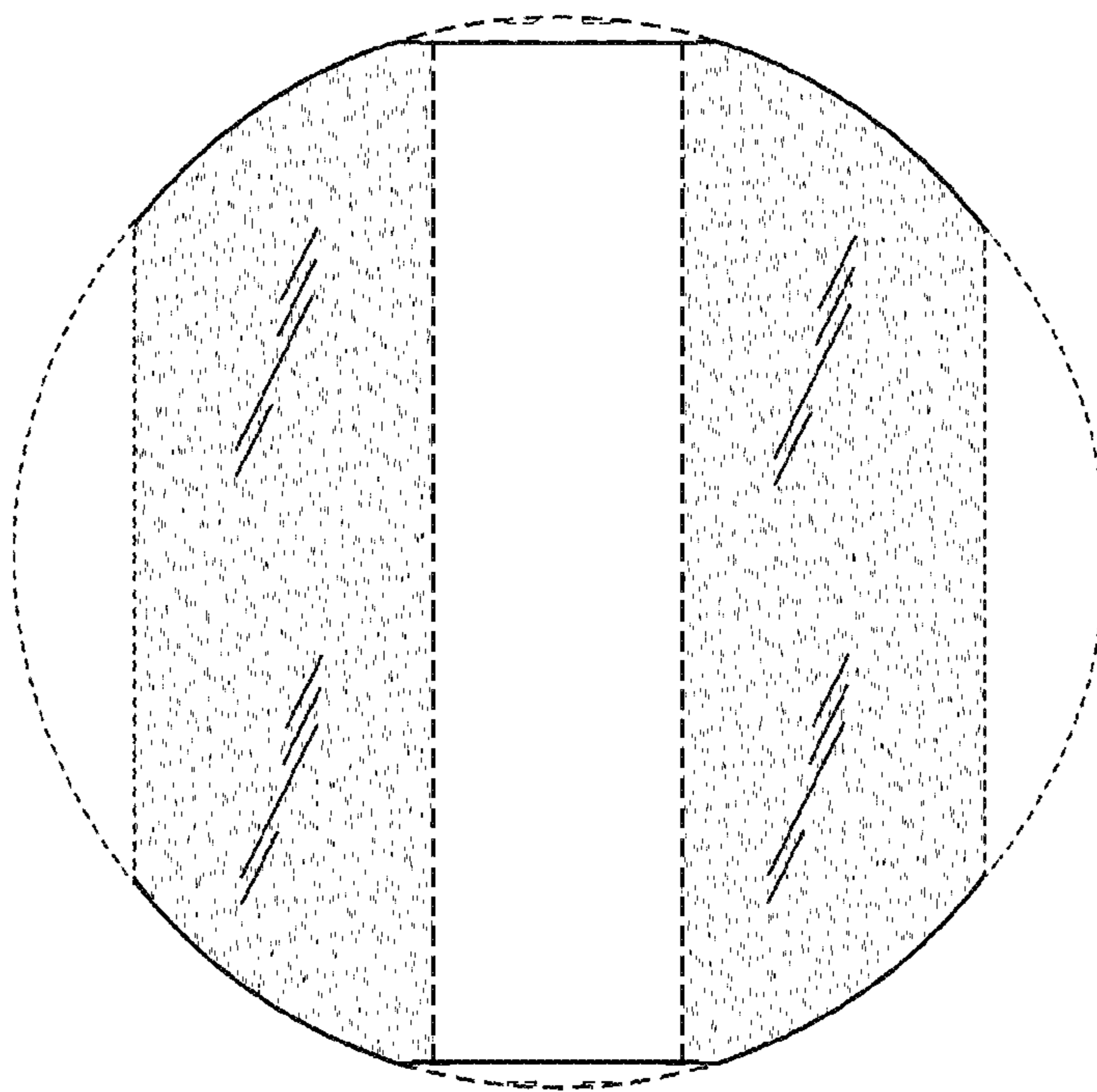


FIG. 6

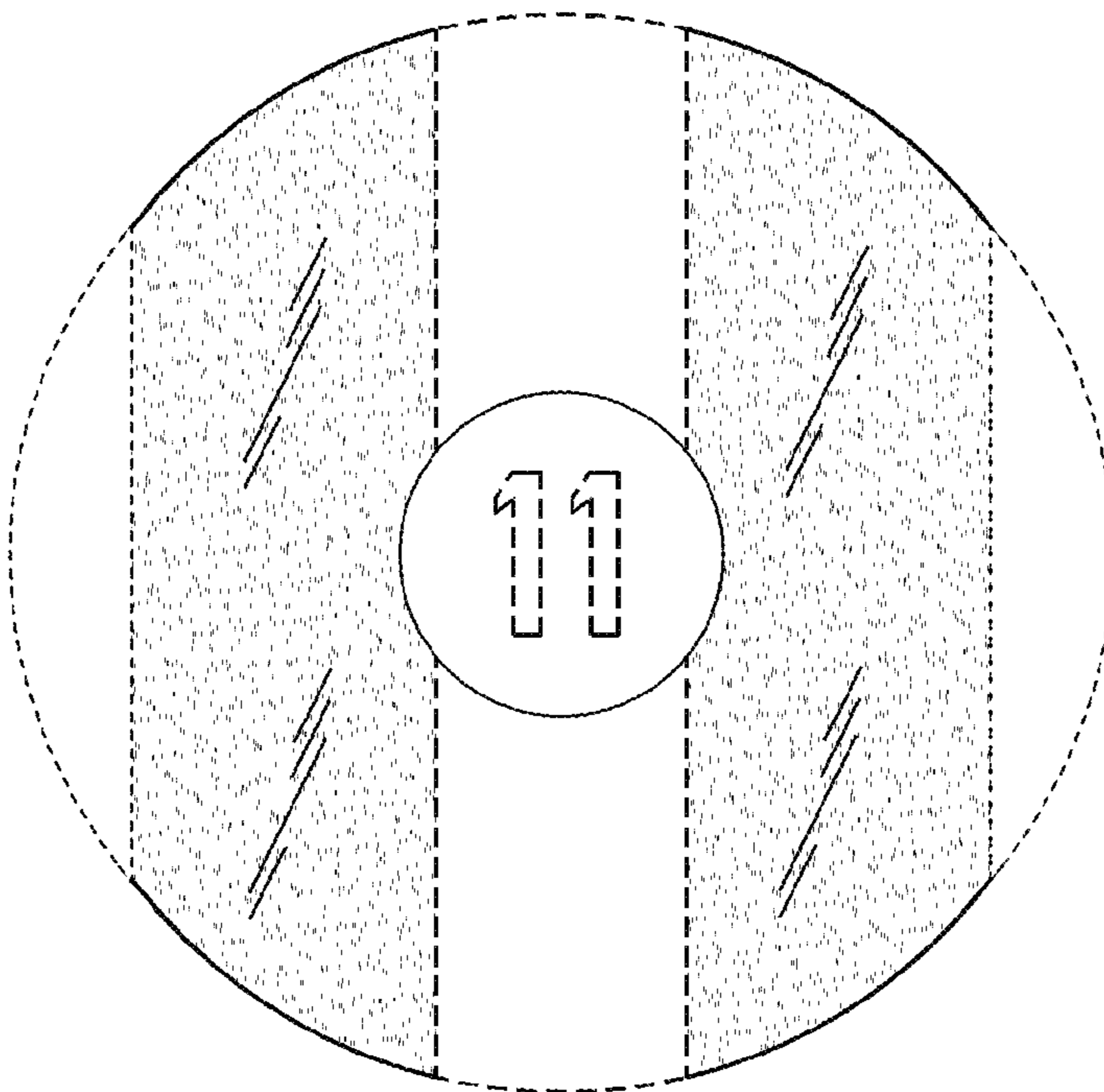


FIG. 7