



US00D707763S

(12) **United States Design Patent**
Cutler

(10) **Patent No.:** **US D707,763 S**
(45) **Date of Patent:** **** Jun. 24, 2014**

- (54) **TREADMILL**
- (75) Inventor: **Gordon Cutler**, Providence, UT (US)
- (73) Assignee: **ICON IP, Inc.**, Logan, UT (US)
- (**) Term: **14 Years**
- (21) Appl. No.: **29/418,051**
- (22) Filed: **Apr. 11, 2012**
- (51) **LOC (10) Cl.** **21-02**
- (52) **U.S. Cl.**
USPC **D21/669**
- (58) **Field of Classification Search**
USPC D21/662, 668, 669, 670, 694; 482/4, 8,
482/9, 51, 54, 70; 119/700
See application file for complete search history.

6,761,668	B1 *	7/2004	Chang	482/54
6,761,669	B1 *	7/2004	Pan et al.	482/54
6,974,404	B1 *	12/2005	Watterson et al.	482/54
D521,577	S *	5/2006	Wu	D21/669
7,060,008	B2 *	6/2006	Watterson et al.	482/54
7,153,241	B2 *	12/2006	Wang	482/54
7,862,475	B2 *	1/2011	Watterson et al.	482/4
7,914,420	B2 *	3/2011	Daly et al.	482/9
D682,372	S *	5/2013	Alessandri et al.	D21/669

* cited by examiner

Primary Examiner — Phillip S Hyder
(74) *Attorney, Agent, or Firm* — Holland & Hart LLP

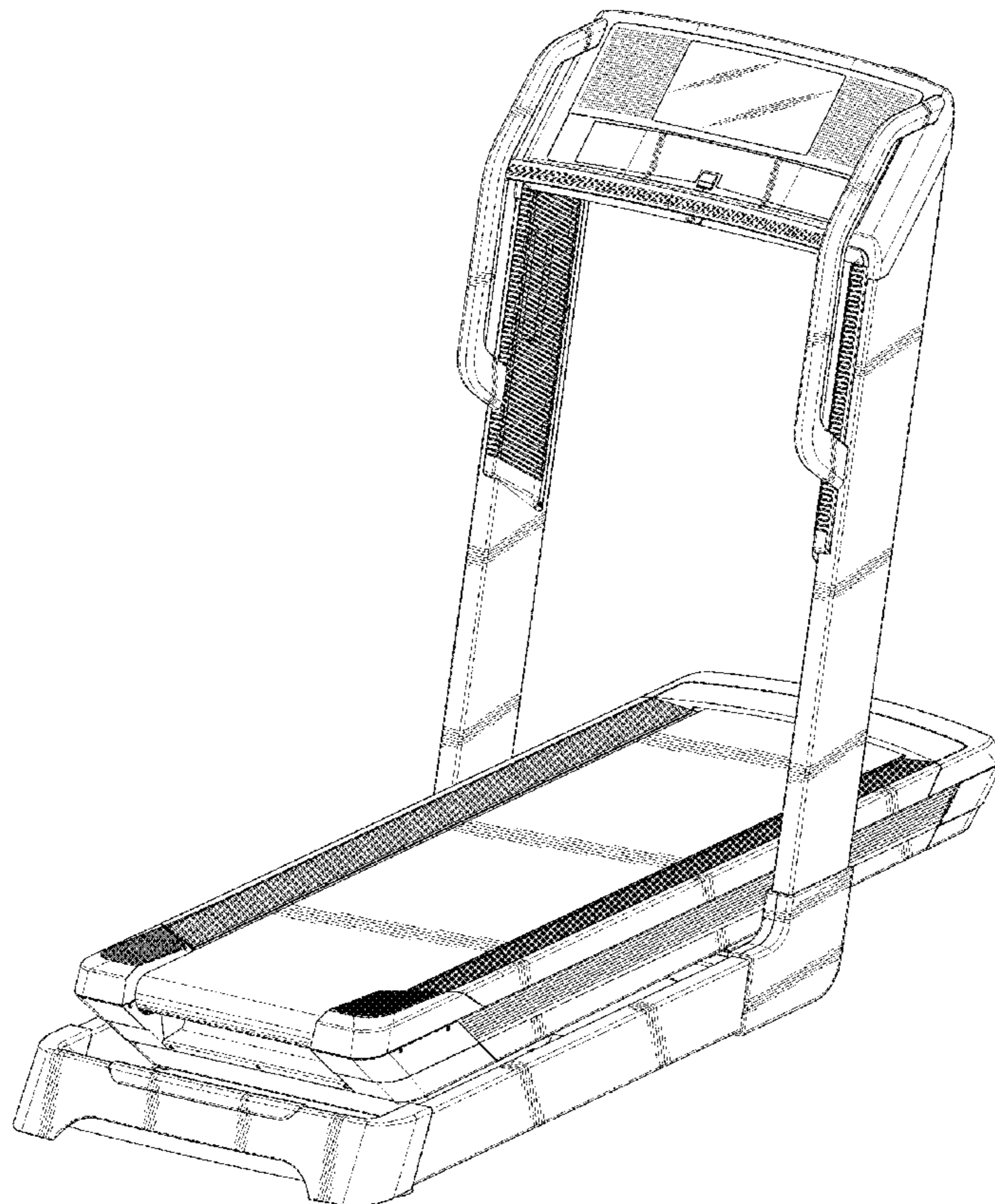
(57) **CLAIM**
The ornamental design for a treadmill, as shown and described.

DESCRIPTION

FIG. 1 is a perspective view of a treadmill of the present invention;
FIG. 2 is a left view of the treadmill of FIG. 1;
FIG. 3 is a right view of the treadmill of FIG. 1;
FIG. 4 is a front view of the treadmill of FIG. 1;
FIG. 5 is a back view of the treadmill of FIG. 1; and,
FIG. 6 is a top view of the treadmill.
The broken lines illustrate portions of the treadmill which form no part of the claimed design.

1 Claim, 6 Drawing Sheets

- (56) **References Cited**
U.S. PATENT DOCUMENTS
- | | | | | | |
|----------|-----|---------|----------------|-------|---------|
| D306,468 | S * | 3/1990 | Watterson | | D21/669 |
| D392,351 | S * | 3/1998 | Coody et al. | | D21/669 |
| D393,297 | S * | 4/1998 | McBride et al. | | D21/669 |
| D416,298 | S * | 11/1999 | Onuma et al. | | D21/669 |
| D424,137 | S * | 5/2000 | Barker et al. | | D21/669 |
| D445,152 | S * | 7/2001 | Wang et al. | | D21/669 |
| D447,780 | S * | 9/2001 | Arnold et al. | | D21/669 |
| D450,792 | S * | 11/2001 | Kuo | | D21/669 |



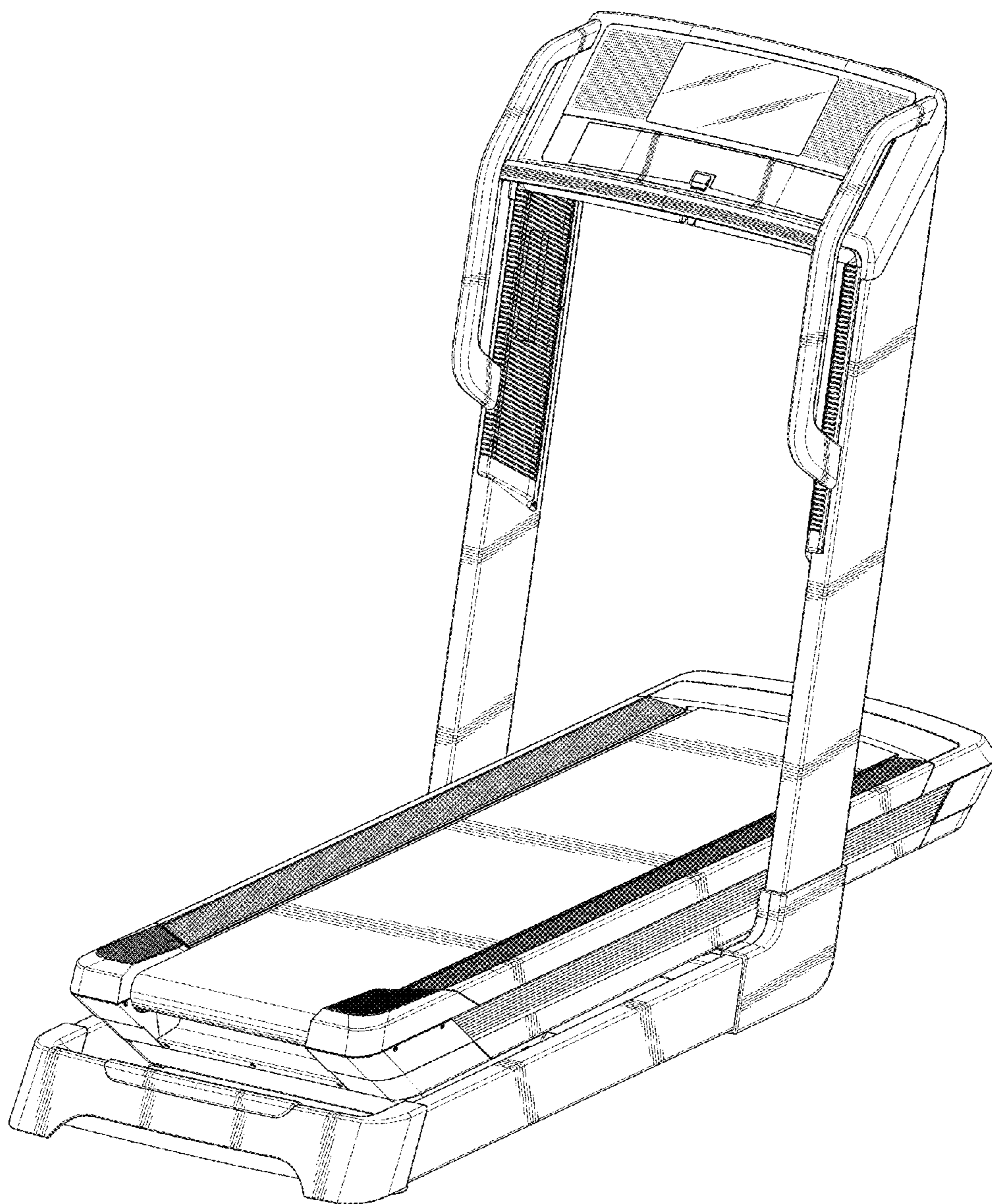


Fig. 1

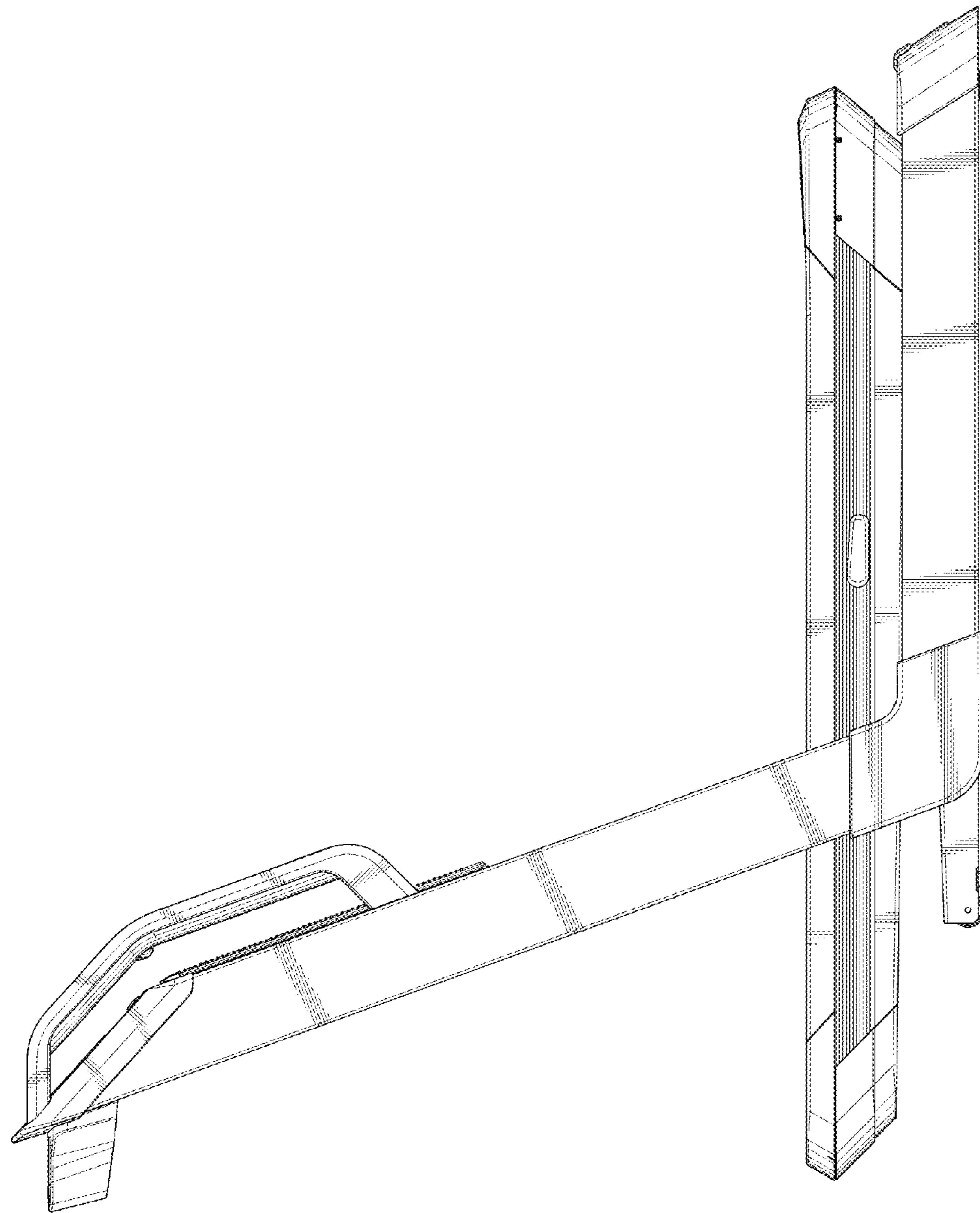


Fig. 2

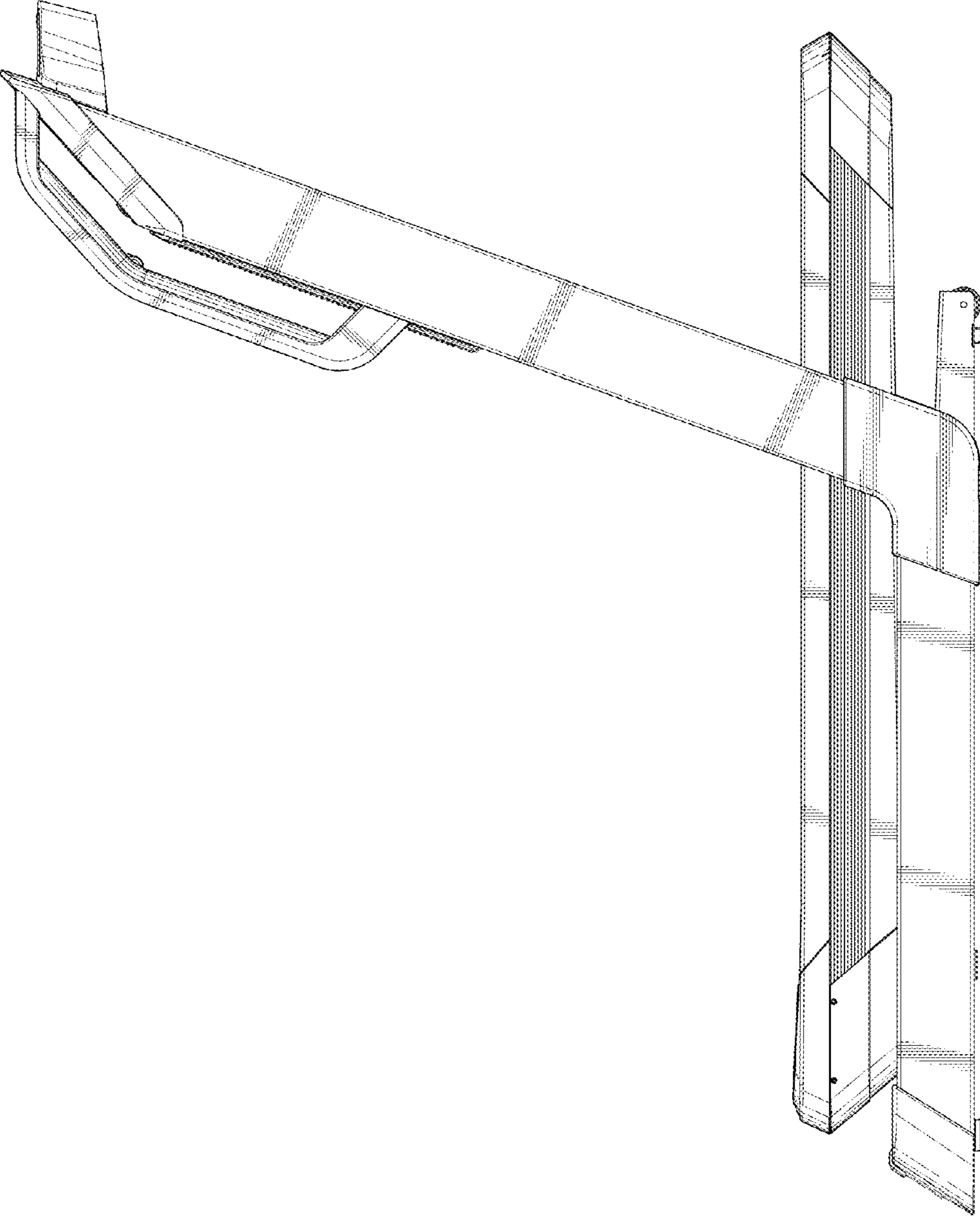


Fig. 3

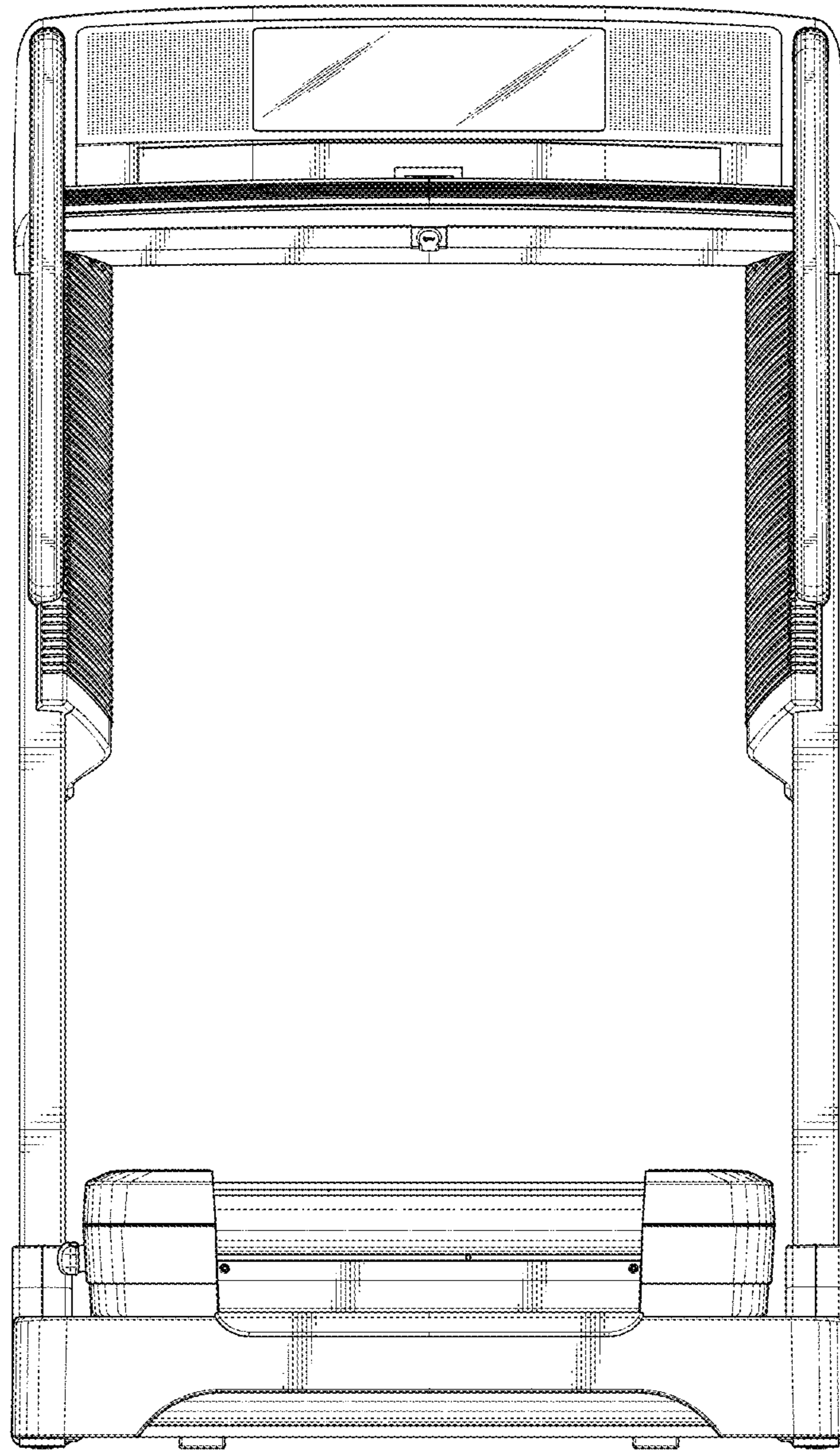


Fig. 4

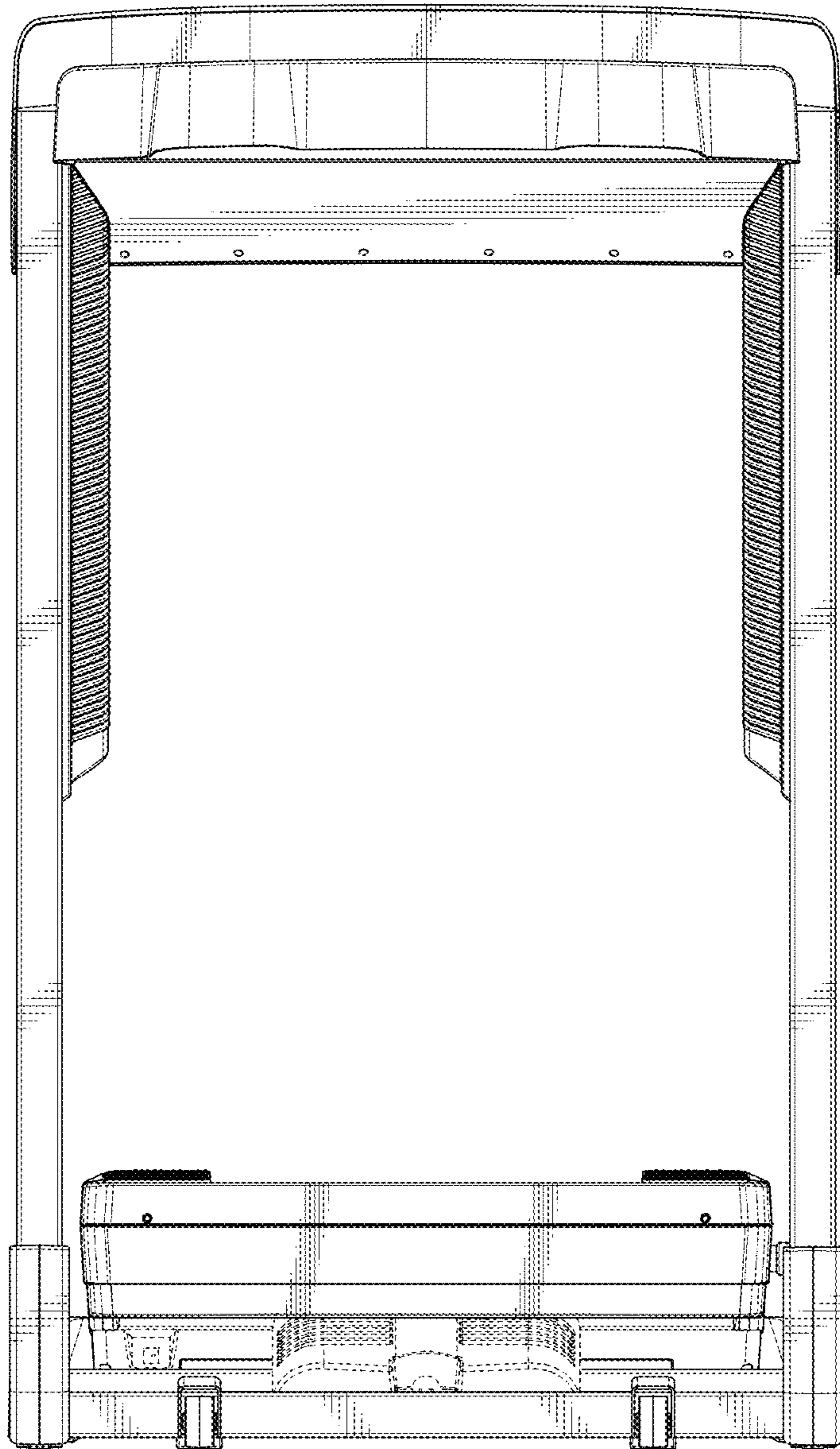


Fig. 5

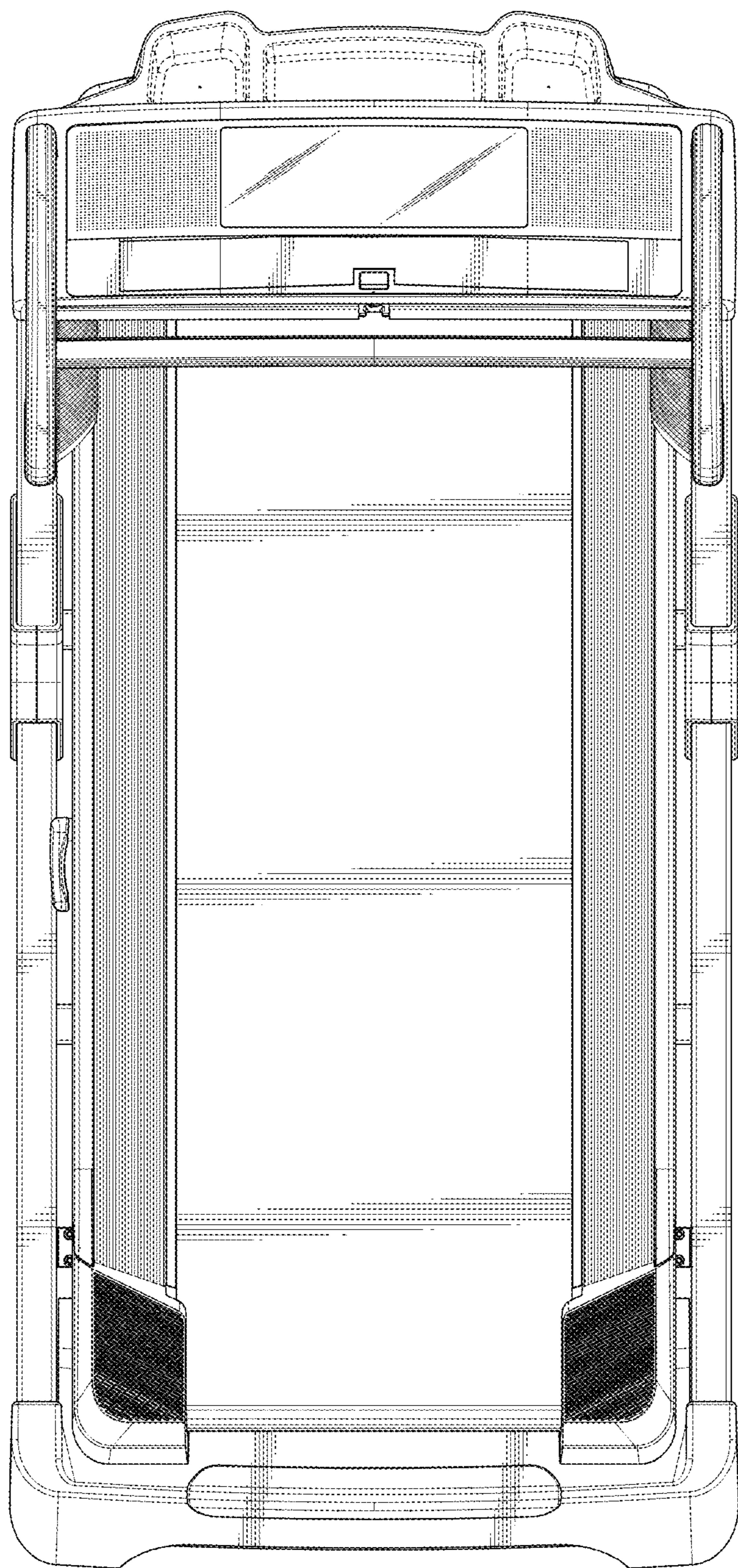


Fig. 6