

US00D707758S

(12) **United States Design Patent**  
**Norman et al.**

(10) **Patent No.:** **US D707,758 S**  
(45) **Date of Patent:** **\*\* Jun. 24, 2014**

(54) **REMOTE CONTROLLER**

(71) Applicant: **Innovation First, Inc.**, Greenville, TX (US)

(72) Inventors: **David Anthony Norman**, Greenville, TX (US); **Robert H. Mimplitch, III**, Rowlett, TX (US); **Paul David Copioli**, Rockwall, TX (US); **Gregory James Lavender**, Rockwall, TX (US); **Aren Calder Hill**, Rockford, IL (US); **Douglas Michael Galletti**, Allen, TX (US); **John Edward Vielkind-Neun**, Rockwall, TX (US); **Arthur Philip Dutra, IV**, Greenville, TX (US)

(73) Assignee: **Innovation First, Inc.**, Greenville, TX (US)

(\*\*) Term: **14 Years**

(21) Appl. No.: **29/451,413**

(22) Filed: **Apr. 2, 2013**

(51) **LOC (10) Cl.** ..... **21-01**

(52) **U.S. Cl.**  
USPC ..... **D21/566; D14/401**

(58) **Field of Classification Search**  
USPC ..... D21/324, 329, 333, 434, 513, 552, 559, D21/560, 566; D14/400, 401, 454, 217, D14/218, 358, 155; D13/158, 169; D12/98; 463/6, 7, 37, 38, 39, 46, 47; 345/156; 446/454-456; 300/315, 329, 332, 335, 300/339, 457, 533

See application file for complete search history.

(56) **References Cited**

U.S. PATENT DOCUMENTS

D453,932 S *	2/2002	Han et al. ....	D14/401
D459,727 S *	7/2002	Ashida .....	D14/401
D464,349 S *	10/2002	Loughnane et al. ....	D14/401
D467,923 S *	12/2002	Lim .....	D14/401
D469,767 S *	2/2003	Hussaini et al. ....	D14/401
D471,552 S *	3/2003	Loughnane et al. ....	D14/401
D478,589 S *	8/2003	Hussaini et al. ....	D14/401
D478,590 S *	8/2003	Hussaini et al. ....	D14/401
D491,183 S *	6/2004	Swan et al. ....	D14/401
D504,430 S *	4/2005	Takahashi et al. ....	D14/401
D546,904 S *	7/2007	Bowen et al. ....	D21/566
D610,144 S *	2/2010	Claussen .....	D14/401
D693,345 S *	11/2013	Ibuki et al. ....	D14/401

\* cited by examiner

*Primary Examiner* — Cynthia M Chin

(74) *Attorney, Agent, or Firm* — Adam K. Sacharoff; Much Shelist

(57) **CLAIM**

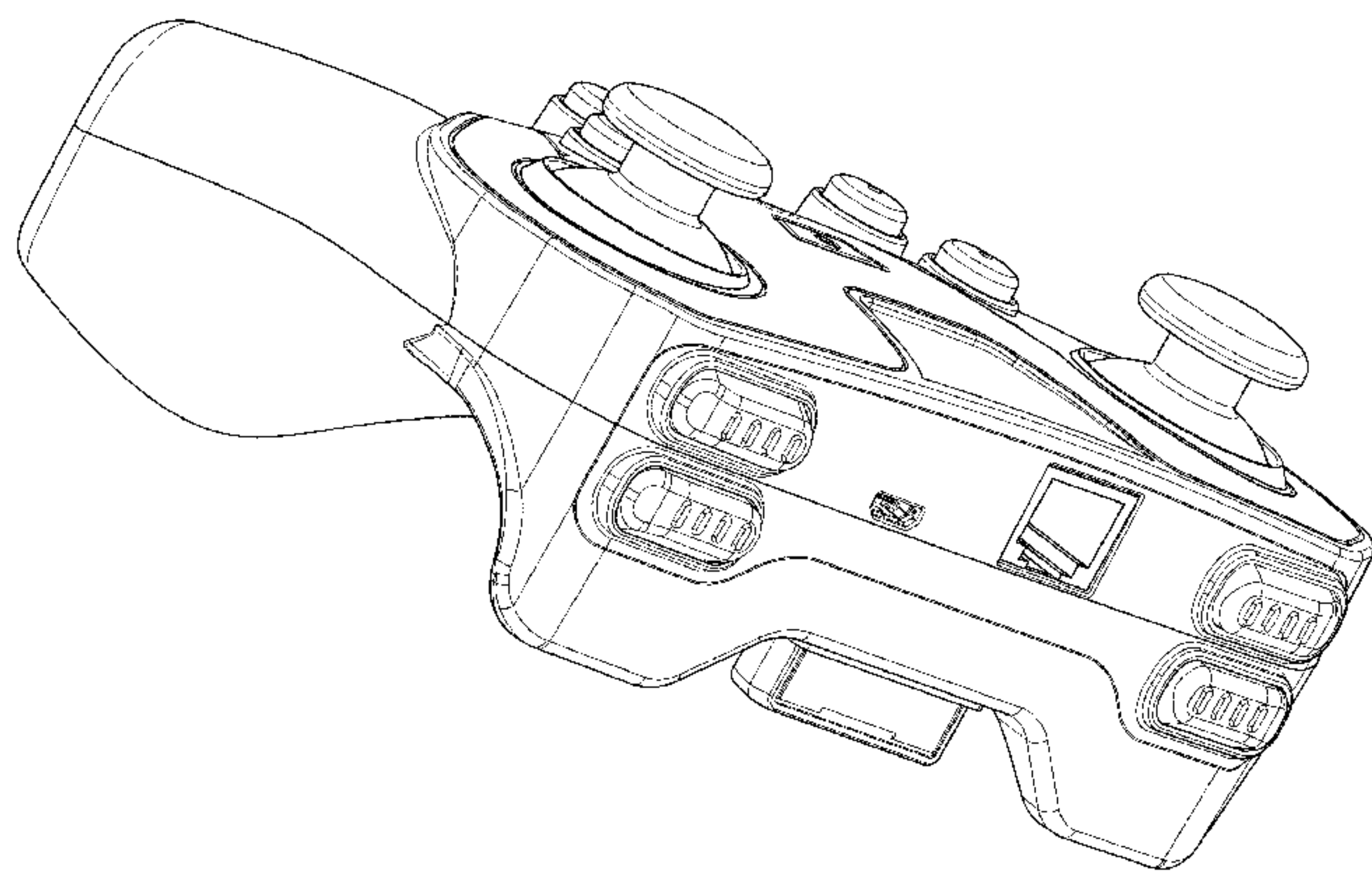
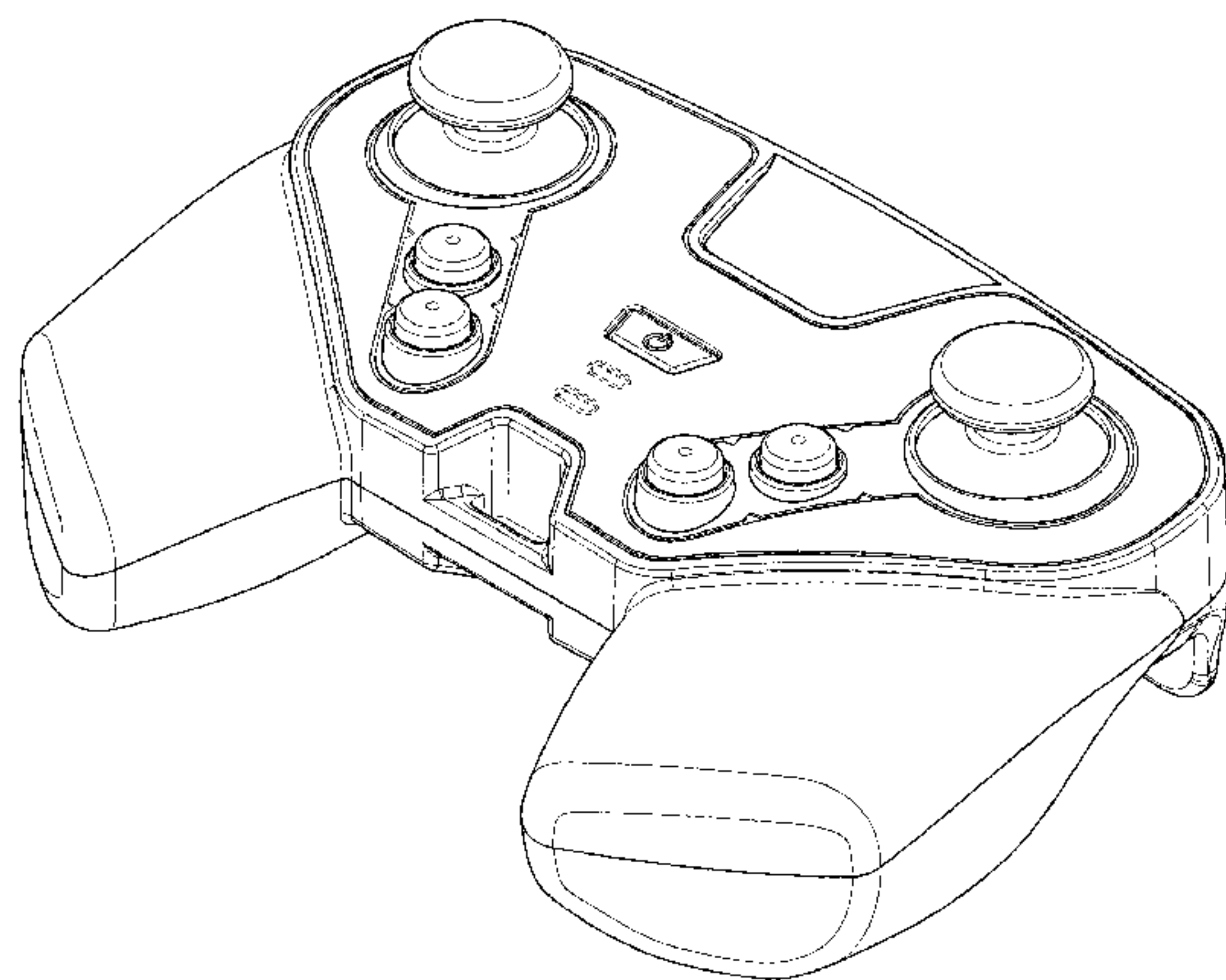
The ornamental design for a remote controller, as shown and described.

**DESCRIPTION**

FIG. 1 is a front-top perspective view of a remote controller; FIG. 2 is a rear-side perspective view of FIG. 1; FIG. 3 is a front-bottom perspective view of FIG. 1; FIG. 4 is a top side view of FIG. 1; FIG. 5 is a bottom side view of FIG. 1; FIG. 6 is a right side view of FIG. 1; FIG. 7 is a left side view of FIG. 1; FIG. 8 is a front side view of FIG. 1; and, FIG. 9 is a rear side view of FIG. 1.

The broken lines represent are for environmental purposes only and form no part of the claimed design.

**1 Claim, 7 Drawing Sheets**



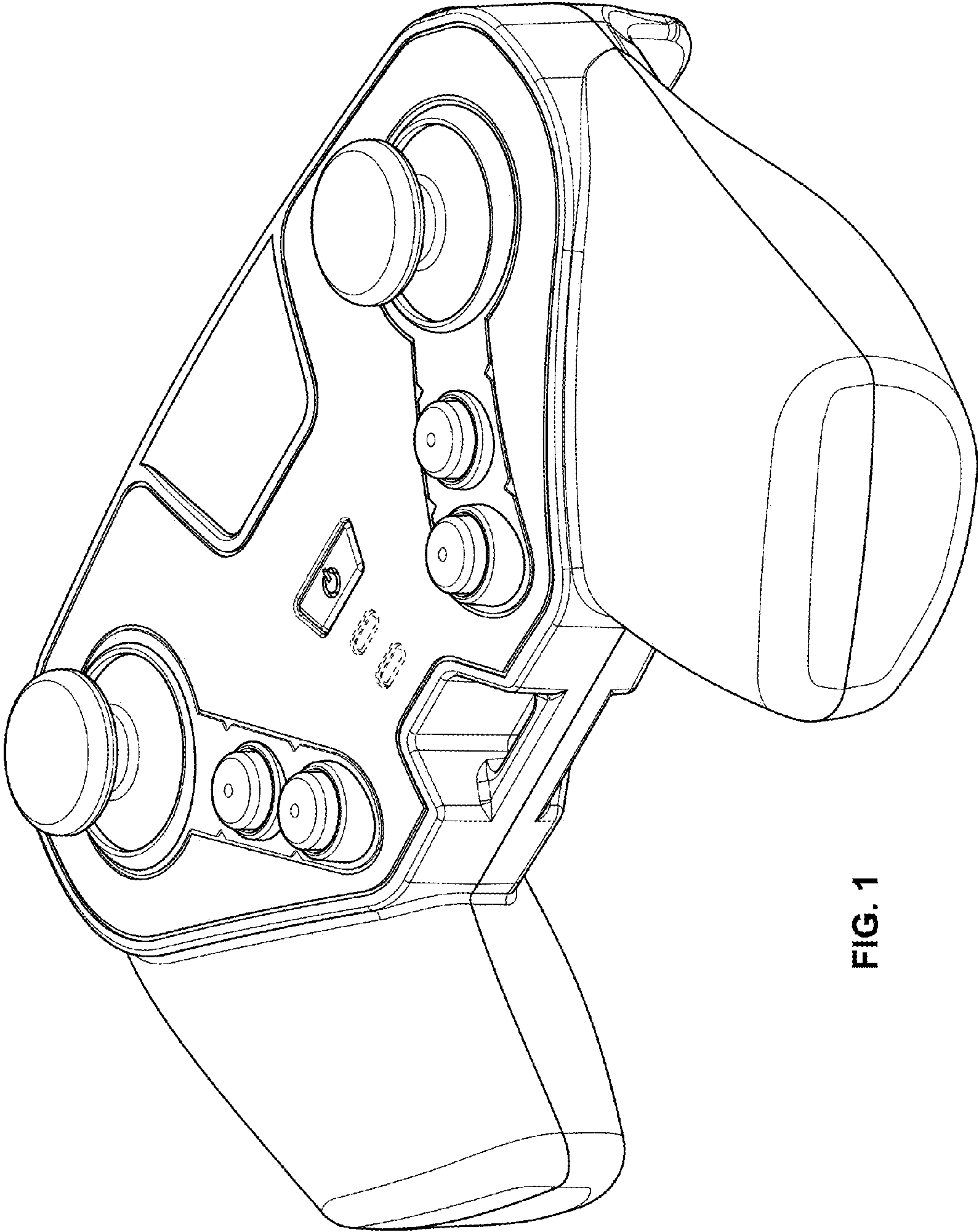


FIG. 1



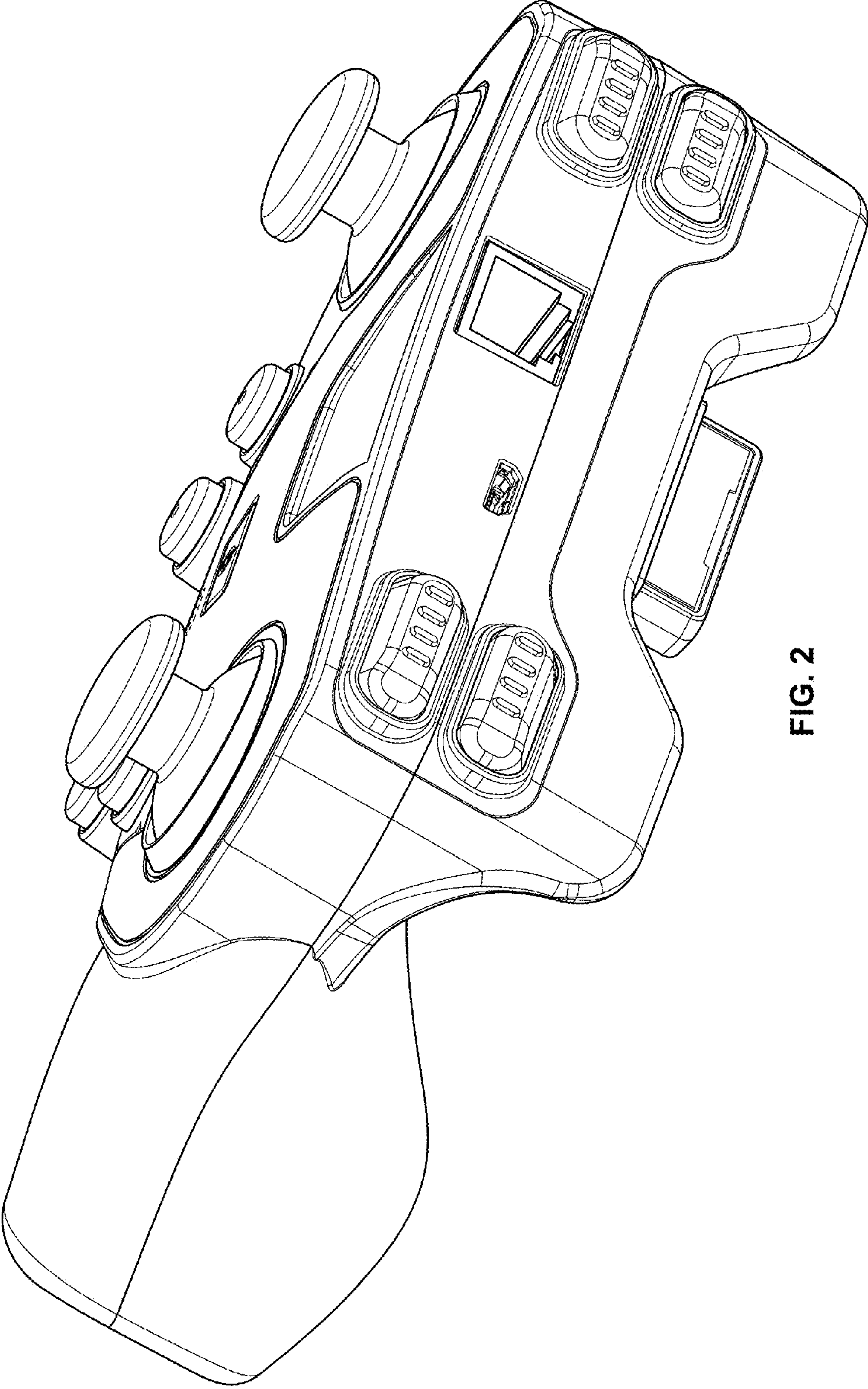


FIG. 2

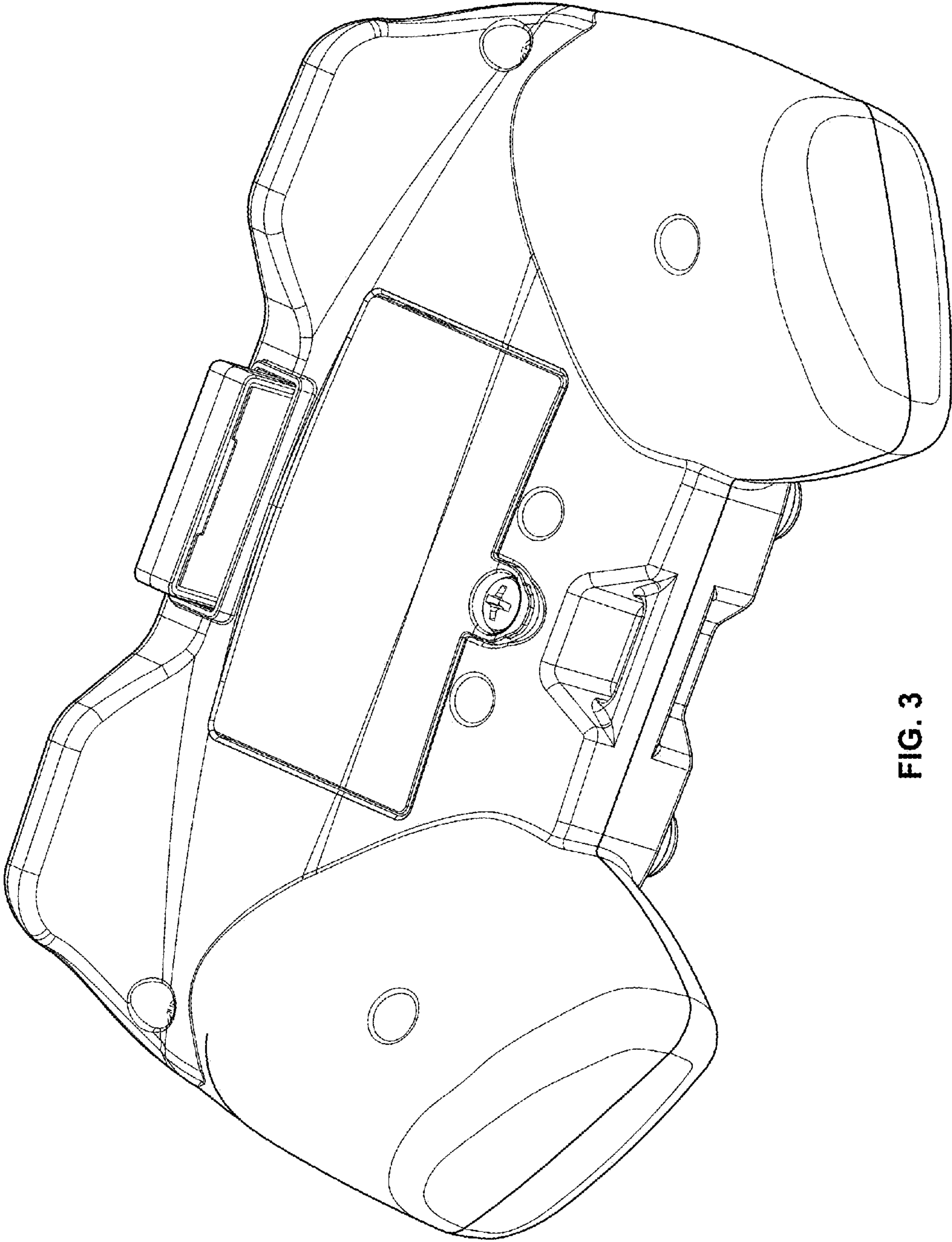


FIG. 3

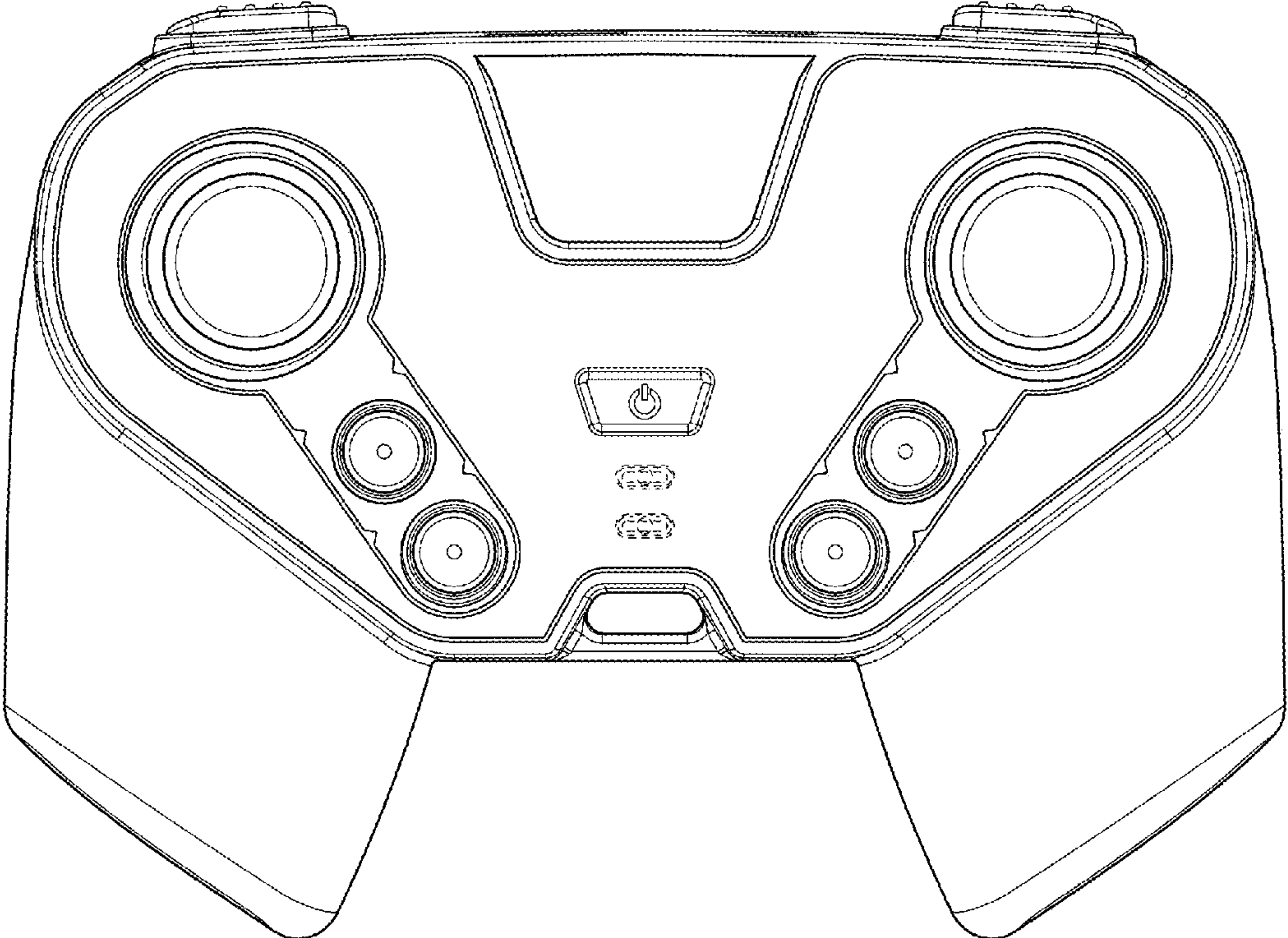


FIG. 4

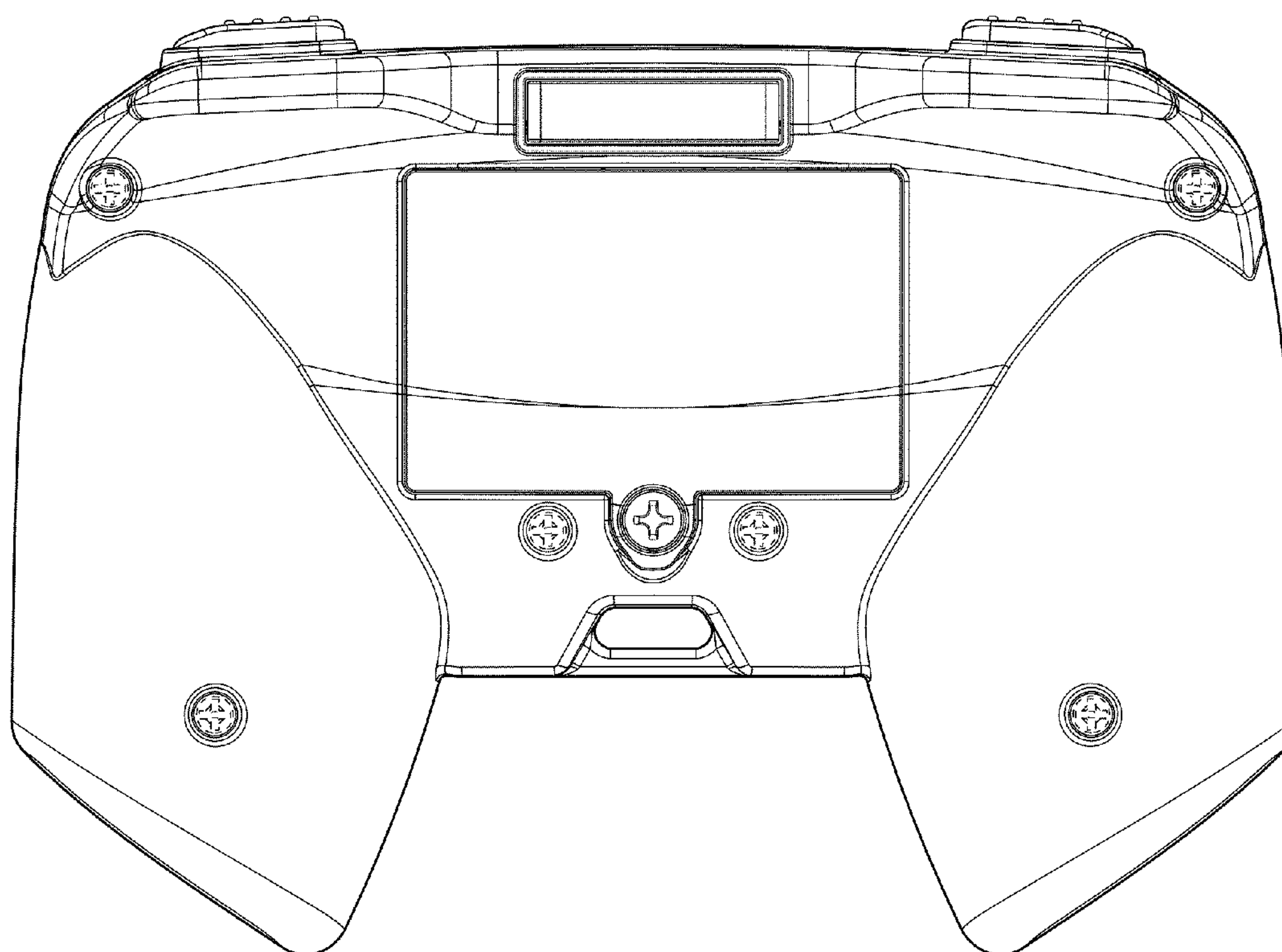


FIG. 5



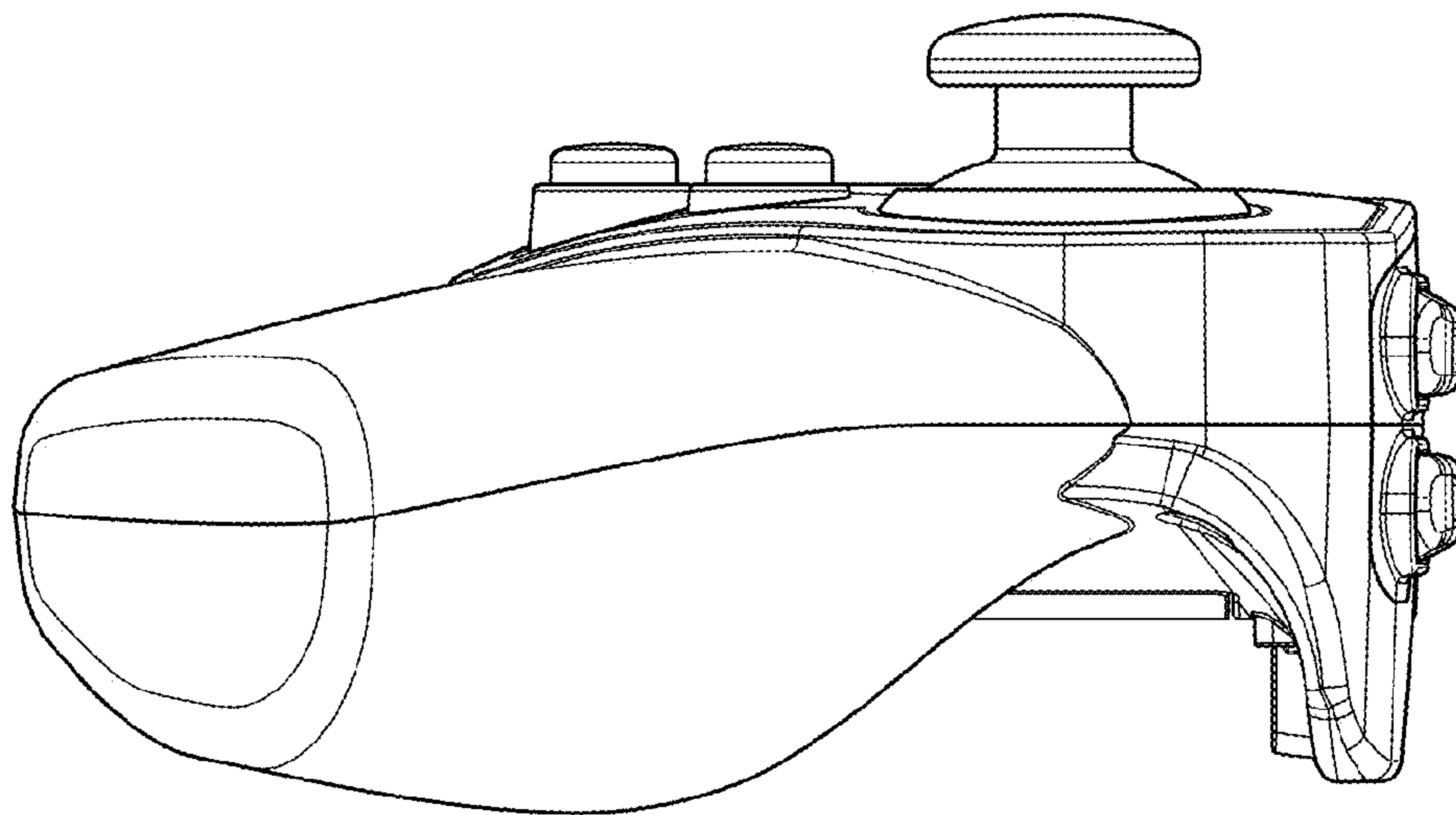


FIG. 6

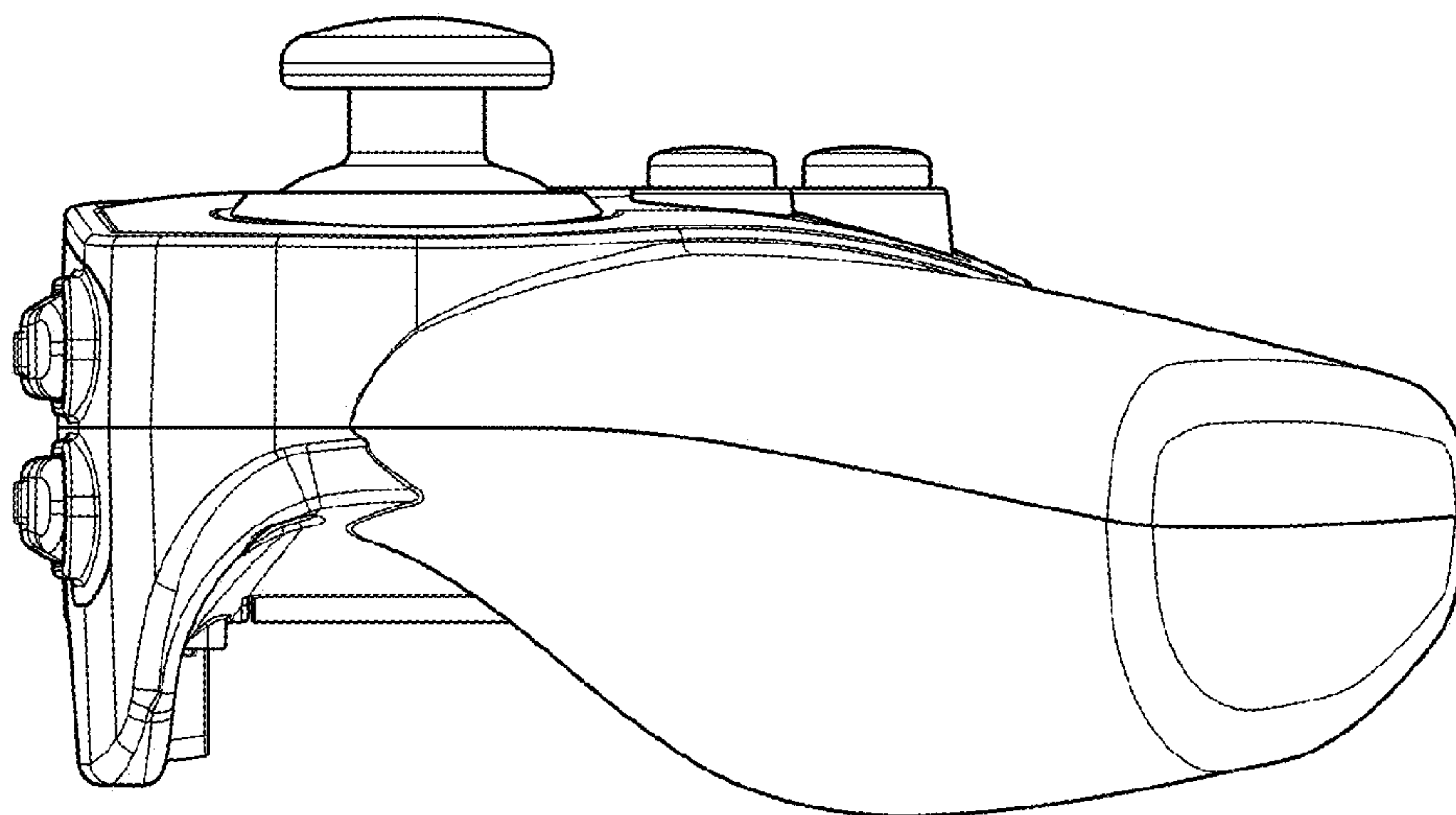


FIG. 7

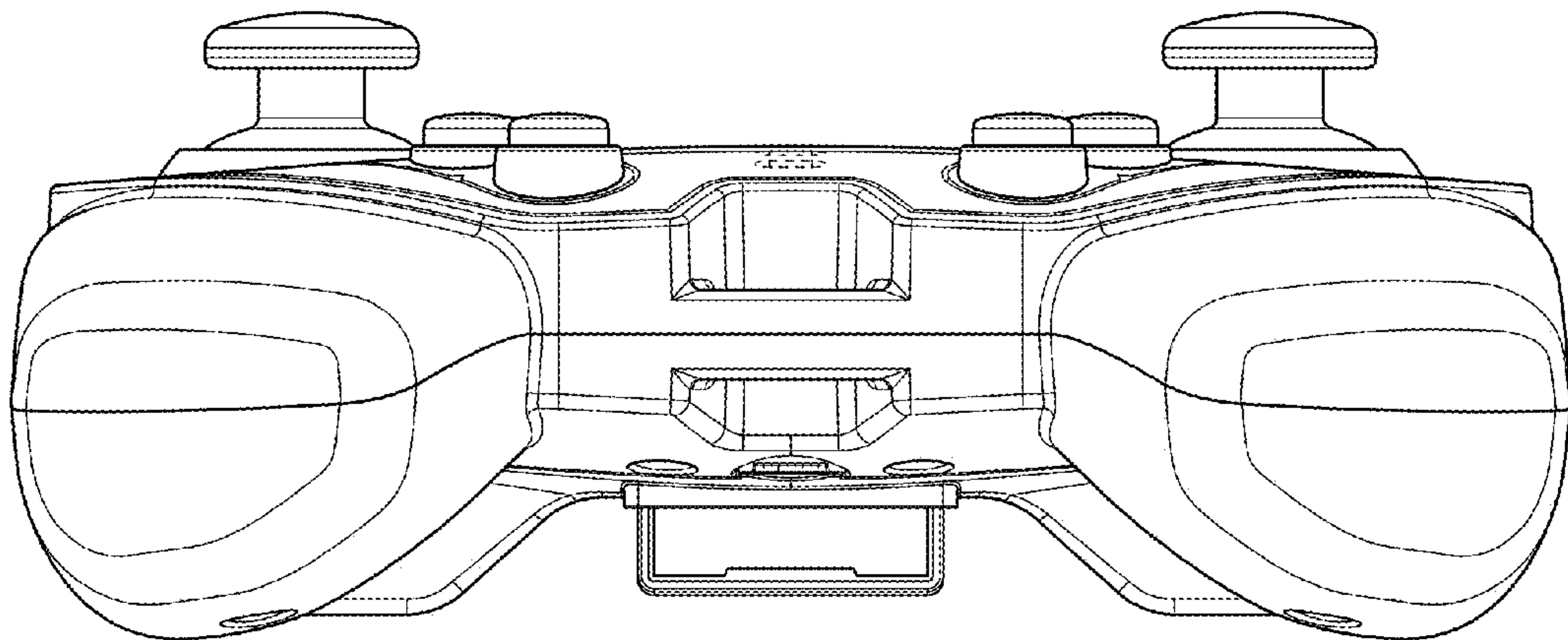


FIG. 8

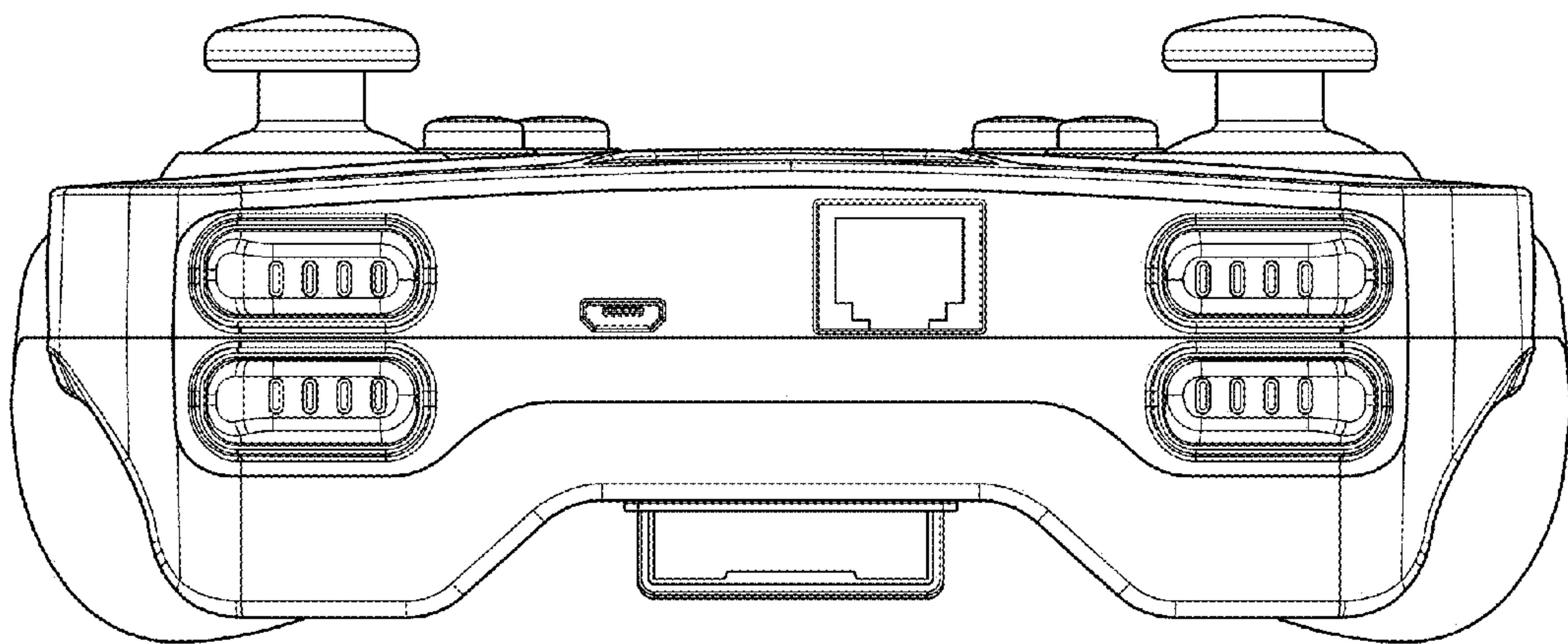


FIG. 9