



US00D707755S

(12) **United States Design Patent**  
**Bonnano**

(10) **Patent No.:** **US D707,755 S**  
(45) **Date of Patent:** **\*\* Jun. 24, 2014**

(54) **VIDEO-GAME CONTROLLER**

(71) Applicant: **Voyetra Turtle Beach, Inc.**, Campbell, CA (US)

(72) Inventor: **Carmine Bonnano**, White Plains, NY (US)

(73) Assignee: **Voyetra Turtle Beach, Inc.**, Campbell, CA (US)

(\*\*) Term: **14 Years**

(21) Appl. No.: **29/434,660**

(22) Filed: **Oct. 16, 2012**

(51) **LOC (10) Cl.** ..... **21-01**

(52) **U.S. Cl.**  
USPC ..... **D21/333**

(58) **Field of Classification Search**  
USPC ..... D21/324, 328, 333, 385, 477, 566;  
D14/399-402, 412, 414, 416, 432;  
273/148 B, 449, 441, 442; 463/1,  
463/29-35, 46, 47; 345/156, 161; 434/45,  
434/46

See application file for complete search history.

(56) **References Cited**

**U.S. PATENT DOCUMENTS**

5,451,053 A \* 9/1995 Garrido ..... 463/38  
5,512,892 A \* 4/1996 Corballis et al. .... 341/22

5,643,087 A \* 7/1997 Marcus et al. .... 463/38  
6,068,554 A \* 5/2000 Tyler ..... 463/38  
6,809,722 B2 \* 10/2004 Mei et al. .... 345/163  
D557,749 S \* 12/2007 Sakai ..... D21/333  
D577,025 S \* 9/2008 Ashida et al. .... D14/400  
D587,713 S \* 3/2009 Sutton ..... D14/412  
7,532,199 B2 \* 5/2009 Kubo et al. .... 345/161  
D638,841 S \* 5/2011 Musick et al. .... D14/412  
D658,184 S \* 4/2012 Chang et al. .... D14/413  
D688,313 S \* 8/2013 Brunner et al. .... D21/333

\* cited by examiner

*Primary Examiner* — Prabhakar Deshmukh

(74) *Attorney, Agent, or Firm* — McAndrews, Held & Malloy Ltd.

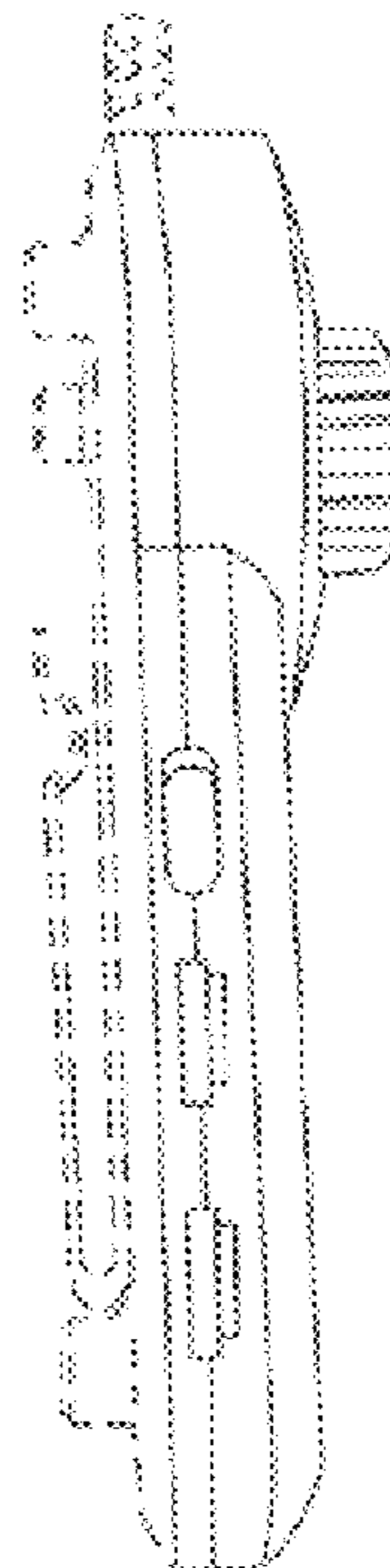
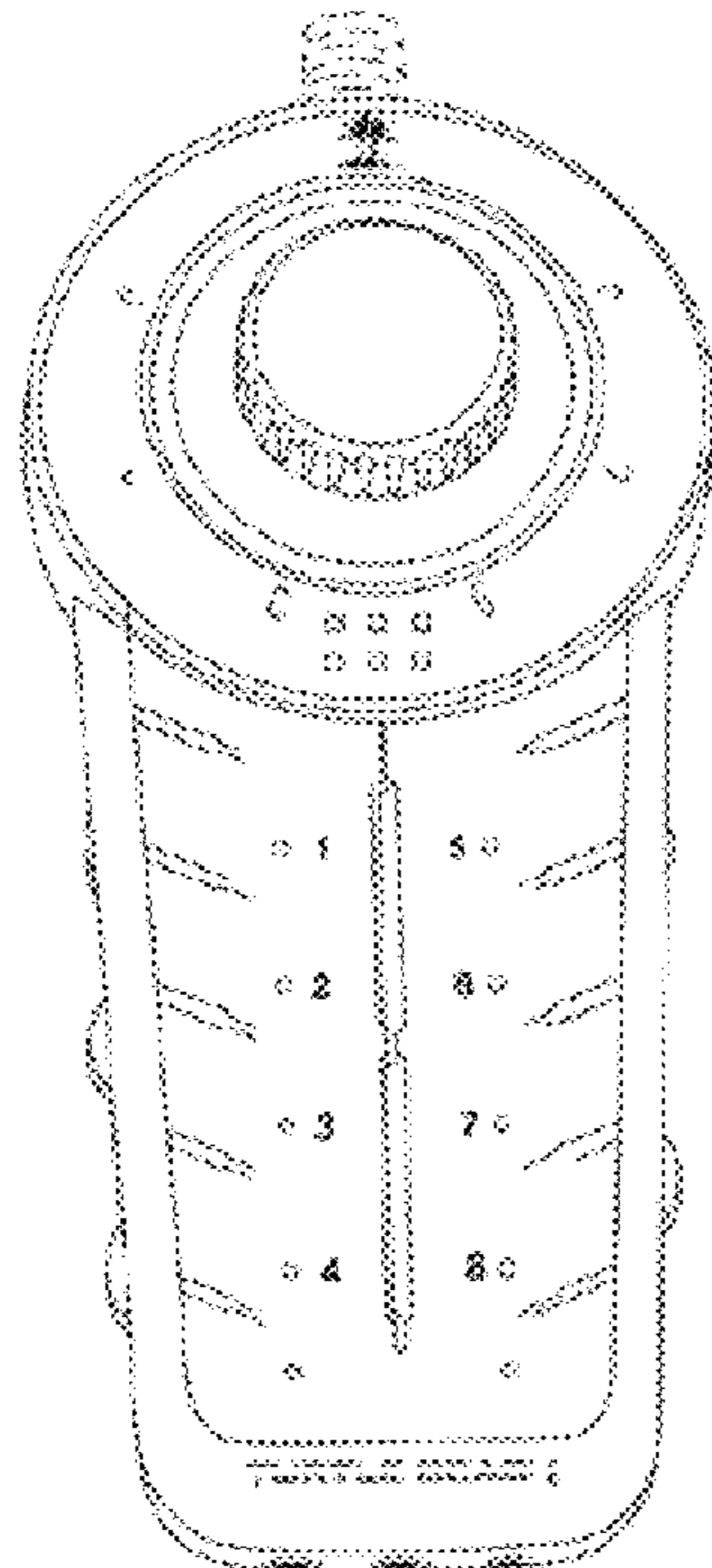
(57) **CLAIM**

The ornamental design for a video-game controller, as shown and described.

**DESCRIPTION**

FIG. 1 is a front perspective view of the a video-game controller showing my new design;  
FIG. 2 is a left-side view thereof;  
FIG. 3 is a right-side view thereof; and,  
FIG. 4 is a top plan view thereof.  
The broken lines indicate unclaimed portions and form no part of the claimed design. The words Turtle Beach and the palm tree logo form no part of the claimed design.

**1 Claim, 2 Drawing Sheets**



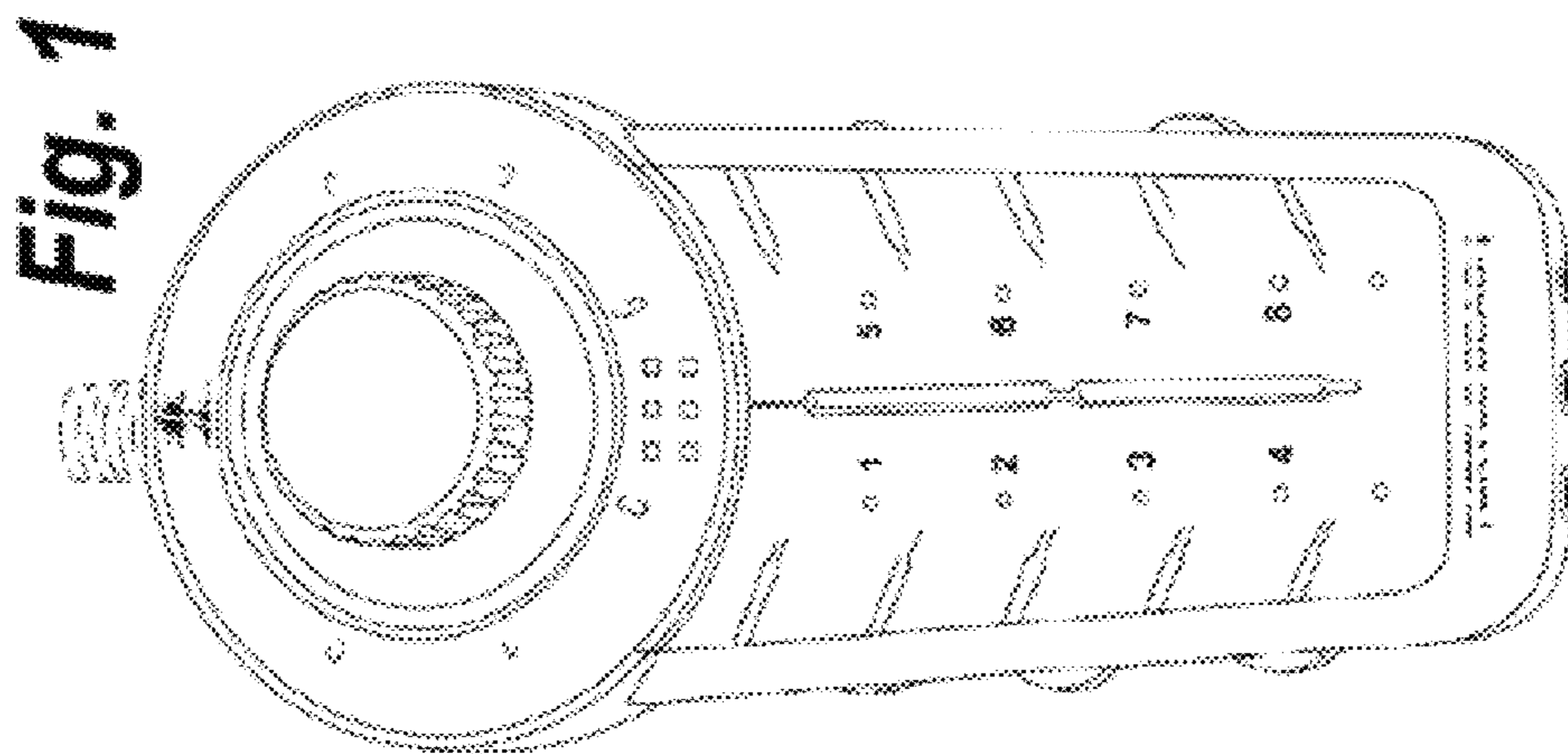


Fig. 1

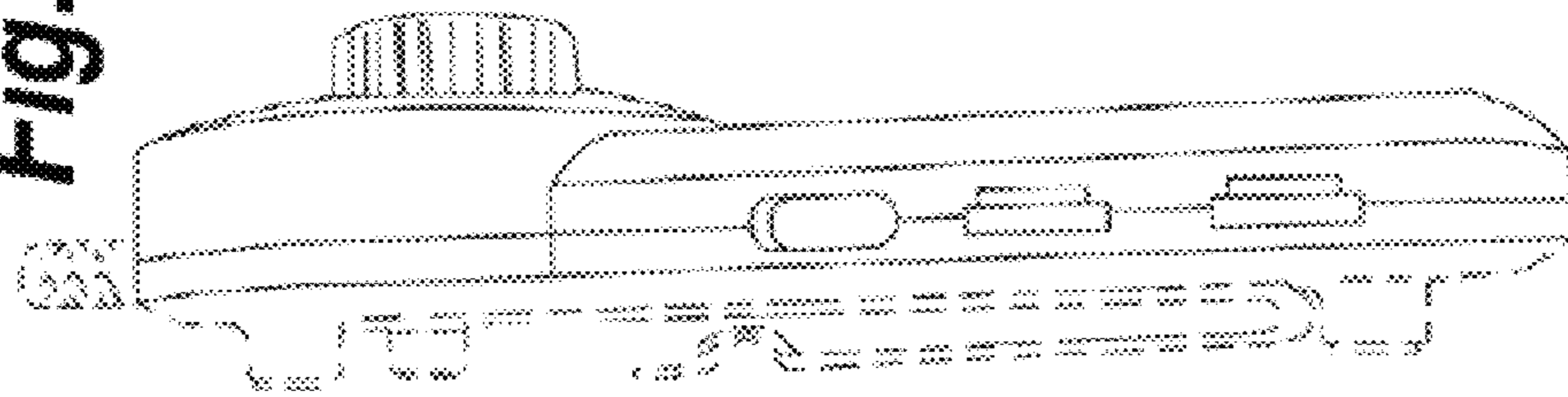


Fig. 2

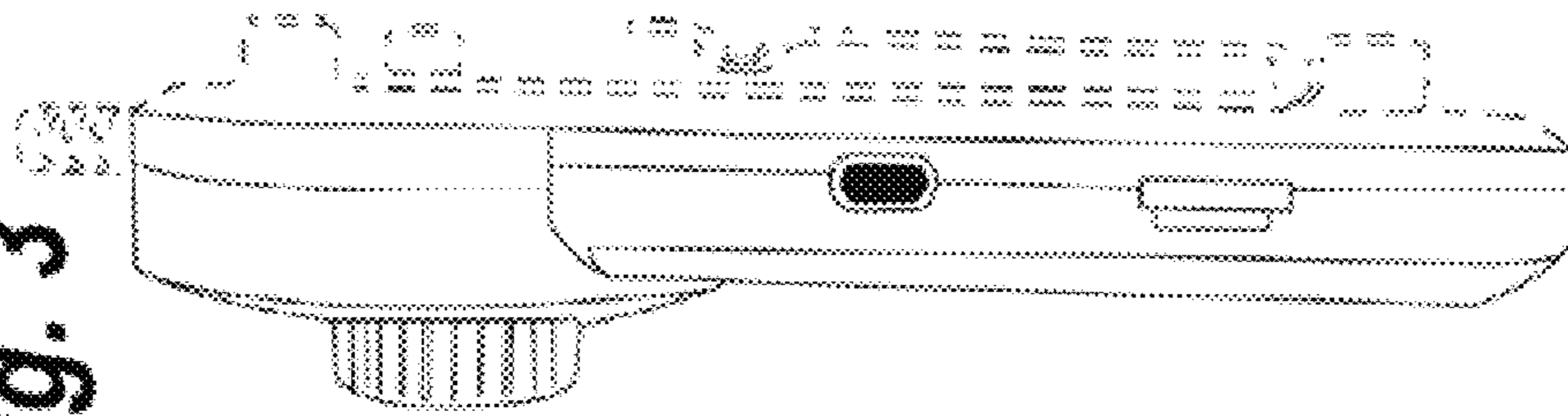
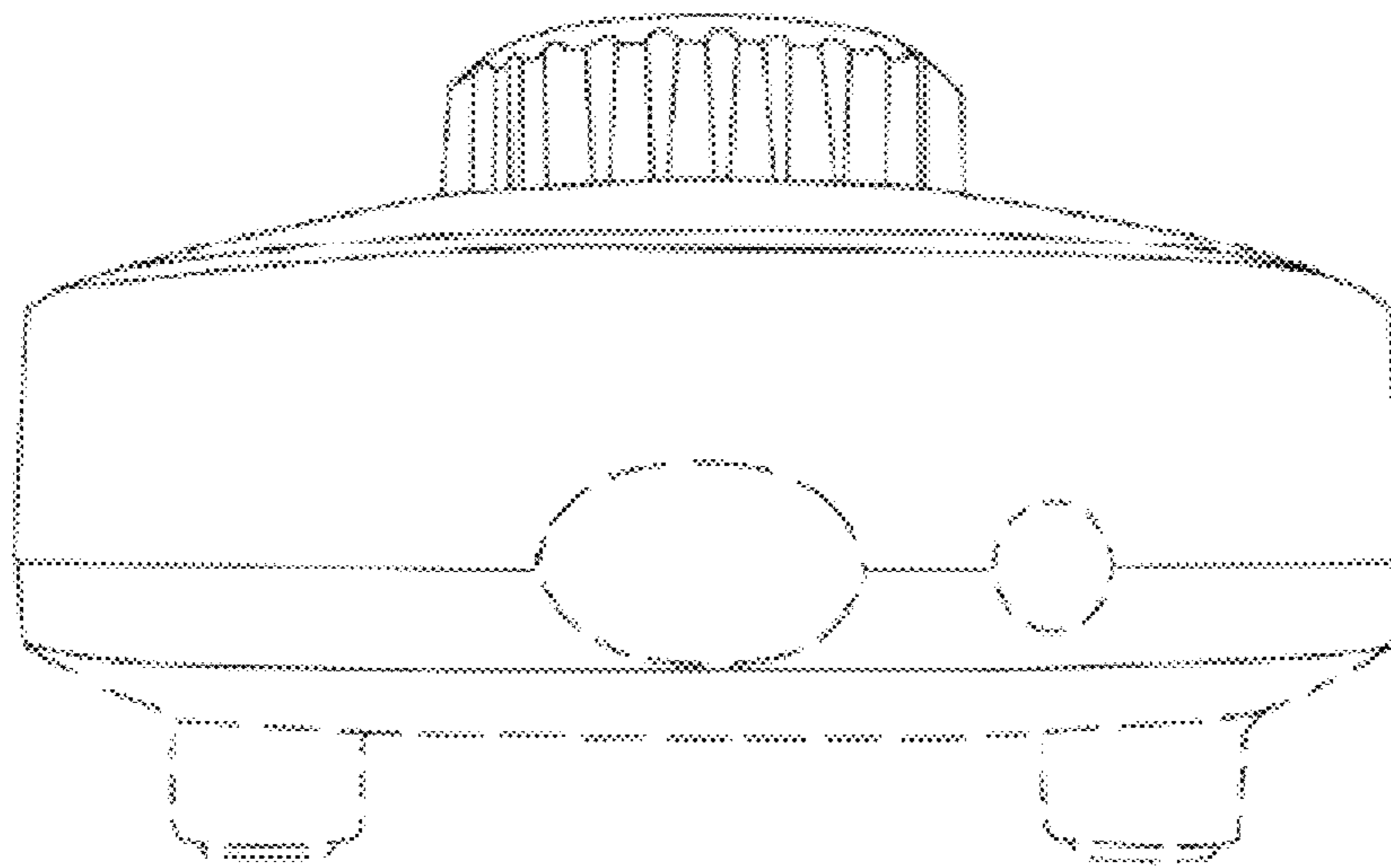


Fig. 3



***Fig. 4***