



US00D707751S

(12) **United States Design Patent**
Wakimoto

(10) **Patent No.:** **US D707,751 S**
(45) **Date of Patent:** **** Jun. 24, 2014**

(54) **TONER CARTRIDGE**

(71) Applicant: **KYOCERA Document Solutions Inc.,**
Osaka (JP)

(72) Inventor: **Atsuhiko Wakimoto,** Osaka (JP)

(73) Assignee: **KYOCERA Document Solutions Inc.,**
Osaka (JP)

(**) Term: **14 Years**

(21) Appl. No.: **29/459,237**

(22) Filed: **Jun. 27, 2013**

Related U.S. Application Data

(62) Division of application No. 29/432,115, filed on Sep. 13, 2012, now Pat. No. Des. 697,549.

(30) **Foreign Application Priority Data**

Mar. 30, 2012 (JP) 2012-007580
Mar. 30, 2012 (JP) 2012-007581
Mar. 30, 2012 (JP) 2012-007582

(51) **LOC (10) Cl.** **16-03**

(52) **U.S. Cl.**
USPC **D18/43**

(58) **Field of Classification Search**
USPC D18/12, 36, 40, 43, 44, 56; D14/471;
347/49, 50, 197, 222; 399/11, 106,
399/119, 120, 230, 258; 222/DIG. 1
See application file for complete search history.

(56) **References Cited**

U.S. PATENT DOCUMENTS

D379,829 S 6/1997 Hayashi
D401,618 S * 11/1998 Ikehata D18/43

D442,624 S * 5/2001 Maeshima D18/43
D447,168 S * 8/2001 Nishimura D18/43
D450,080 S * 11/2001 Ashikari D18/40
D451,538 S * 12/2001 Schwamkrug et al. D18/40
D502,730 S * 3/2005 Miyagawa D18/40
D524,848 S * 7/2006 Murata D18/43
D524,849 S 7/2006 Komai
D562,881 S 2/2008 Hatanaka
D562,882 S 2/2008 Hatanaka
7,515,839 B2 4/2009 Hatanaka
D621,870 S * 8/2010 Eto D18/43
D647,557 S 10/2011 Iketani
D650,415 S * 12/2011 Murata D18/43
D652,073 S * 1/2012 Murata D18/43
D653,283 S * 1/2012 Eto D18/43
D697,549 S * 1/2014 Wakimoto D18/43
2007/0025758 A1 2/2007 William et al.
2010/0092207 A1 4/2010 Ito et al.

* cited by examiner

Primary Examiner — Thomas Johannes

Assistant Examiner — Chelsea Sealey

(74) *Attorney, Agent, or Firm* — Young & Thompson

(57) **CLAIM**

The ornamental design for a toner cartridge, as shown and described.

DESCRIPTION

FIG. 1 is a front, left and top perspective view of a toner cartridge showing my new design;
FIG. 2 is a front, right and bottom perspective view thereof;
FIG. 3 is a front view thereof;
FIG. 4 is a rear view thereof;
FIG. 5 is a left side view thereof;
FIG. 6 is a right side view thereof;
FIG. 7 is a top view thereof; and,
FIG. 8 is a bottom view thereof.

1 Claim, 7 Drawing Sheets

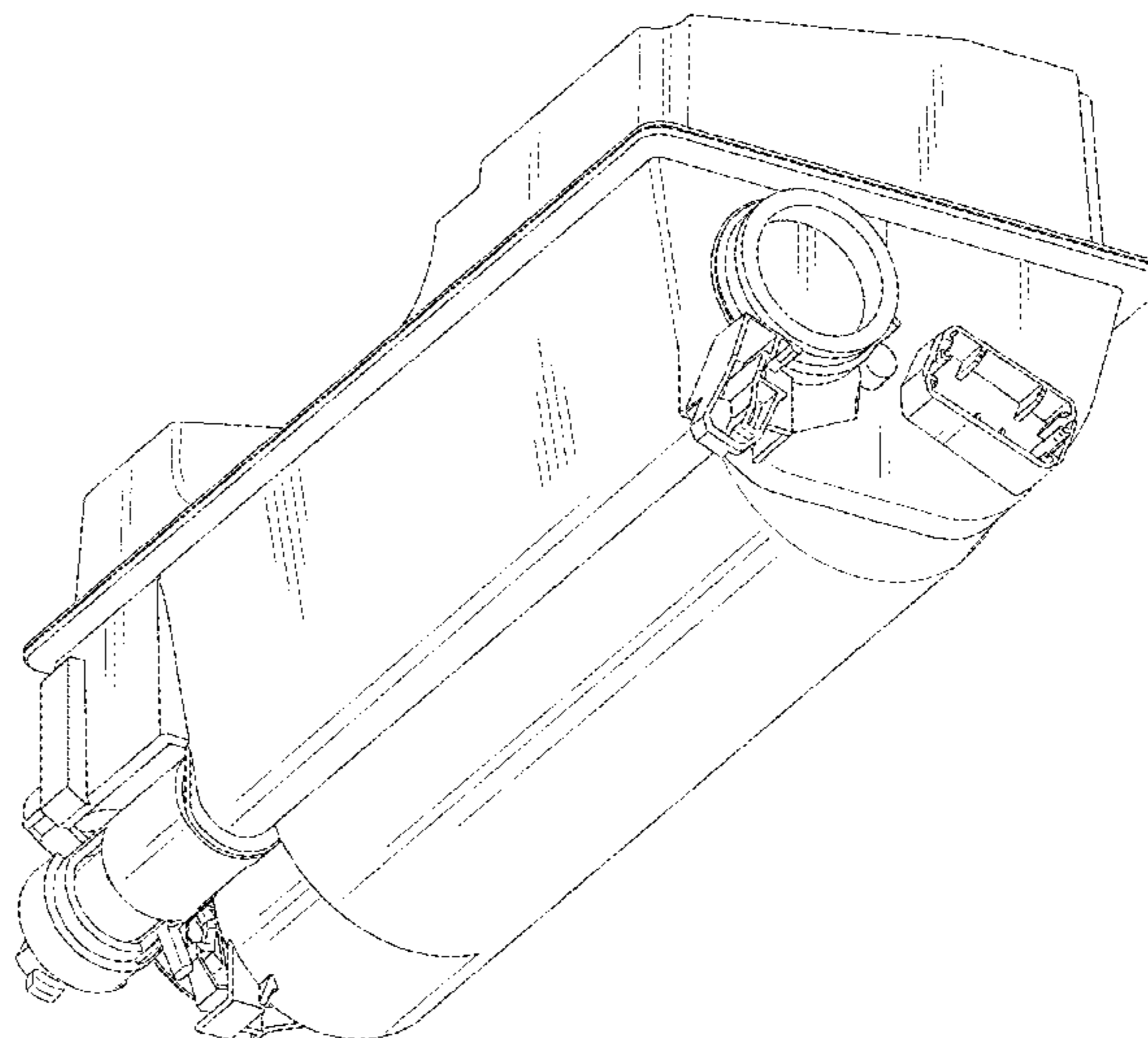
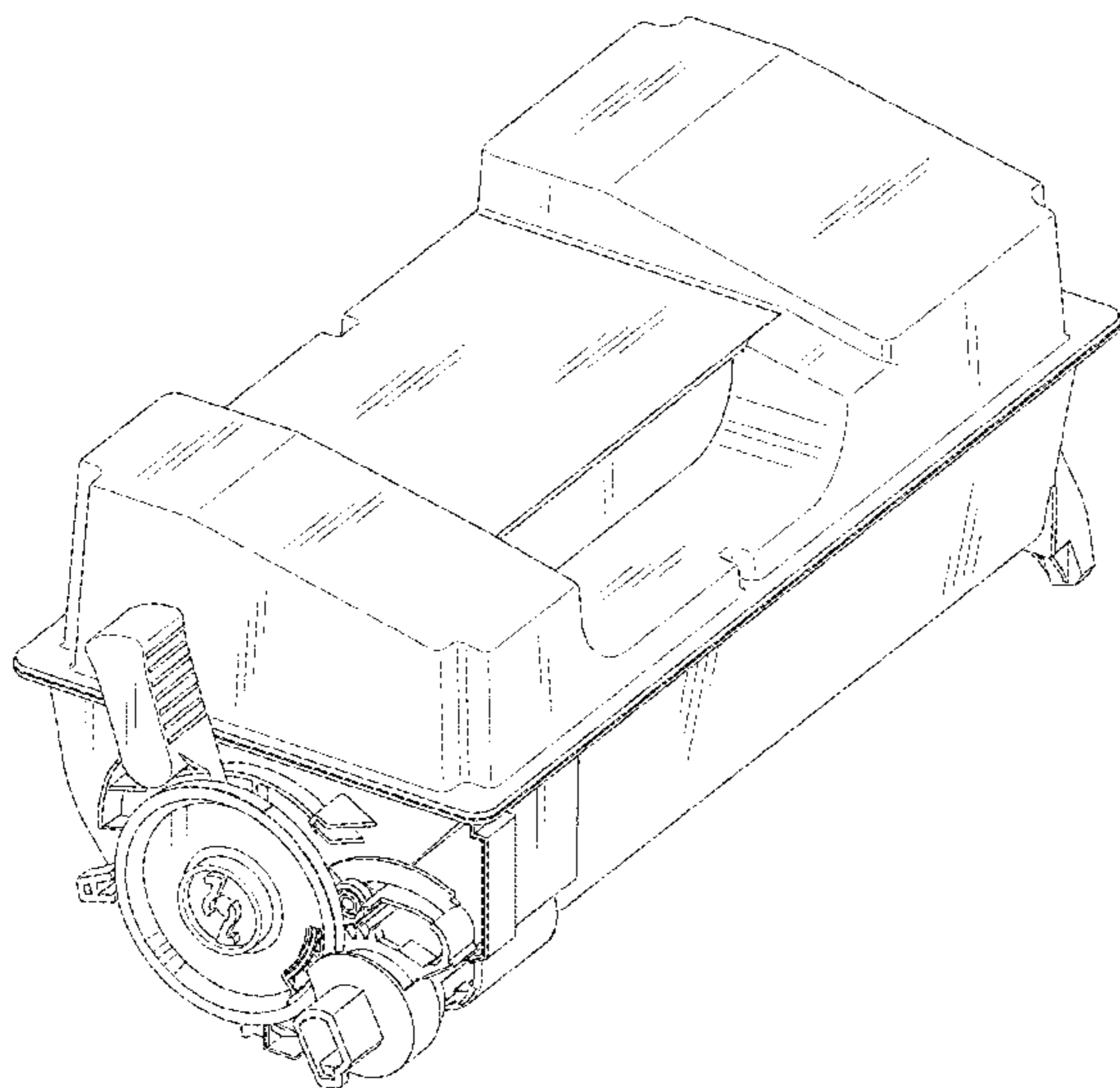


Fig. 1

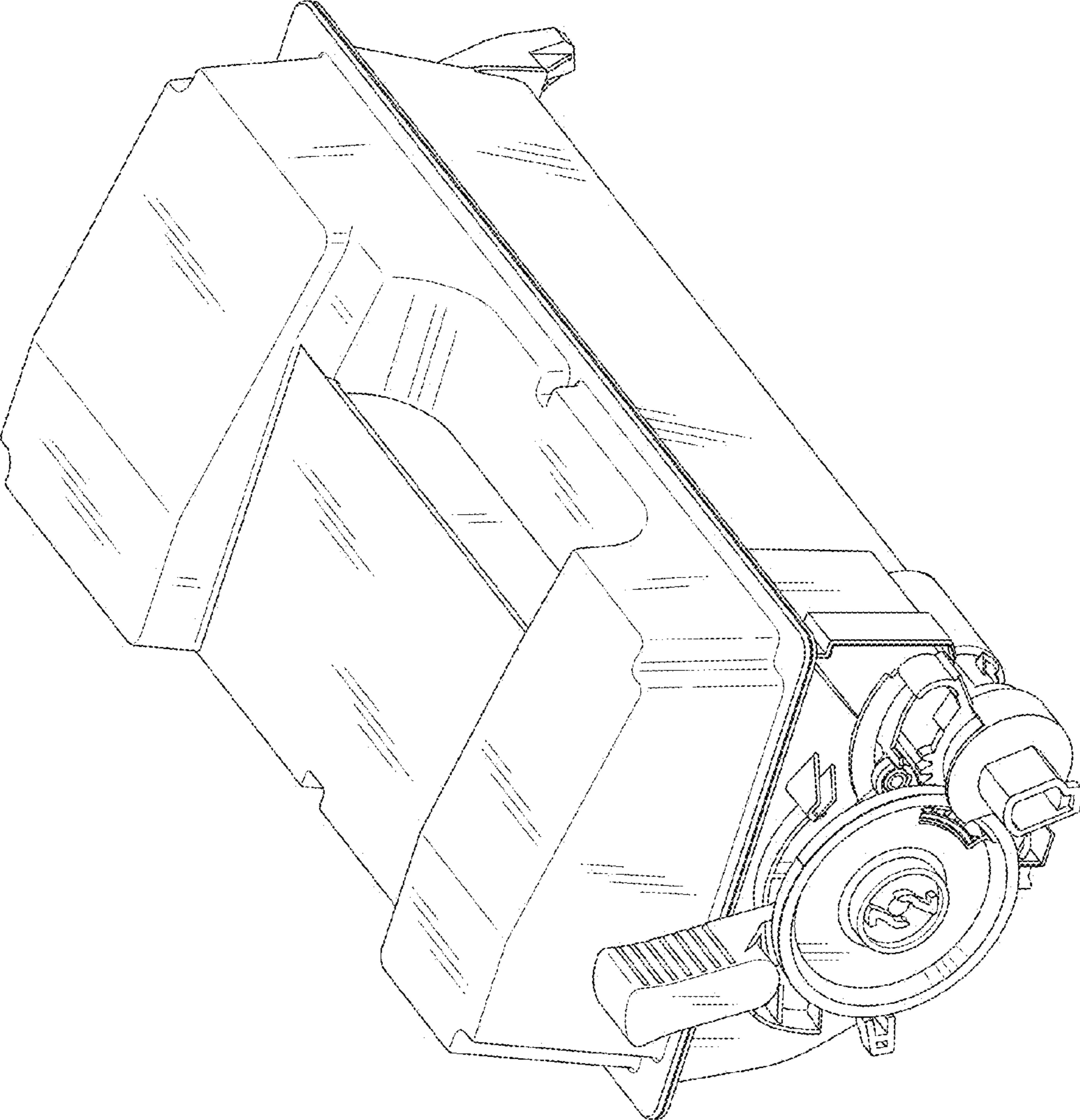


Fig. 2

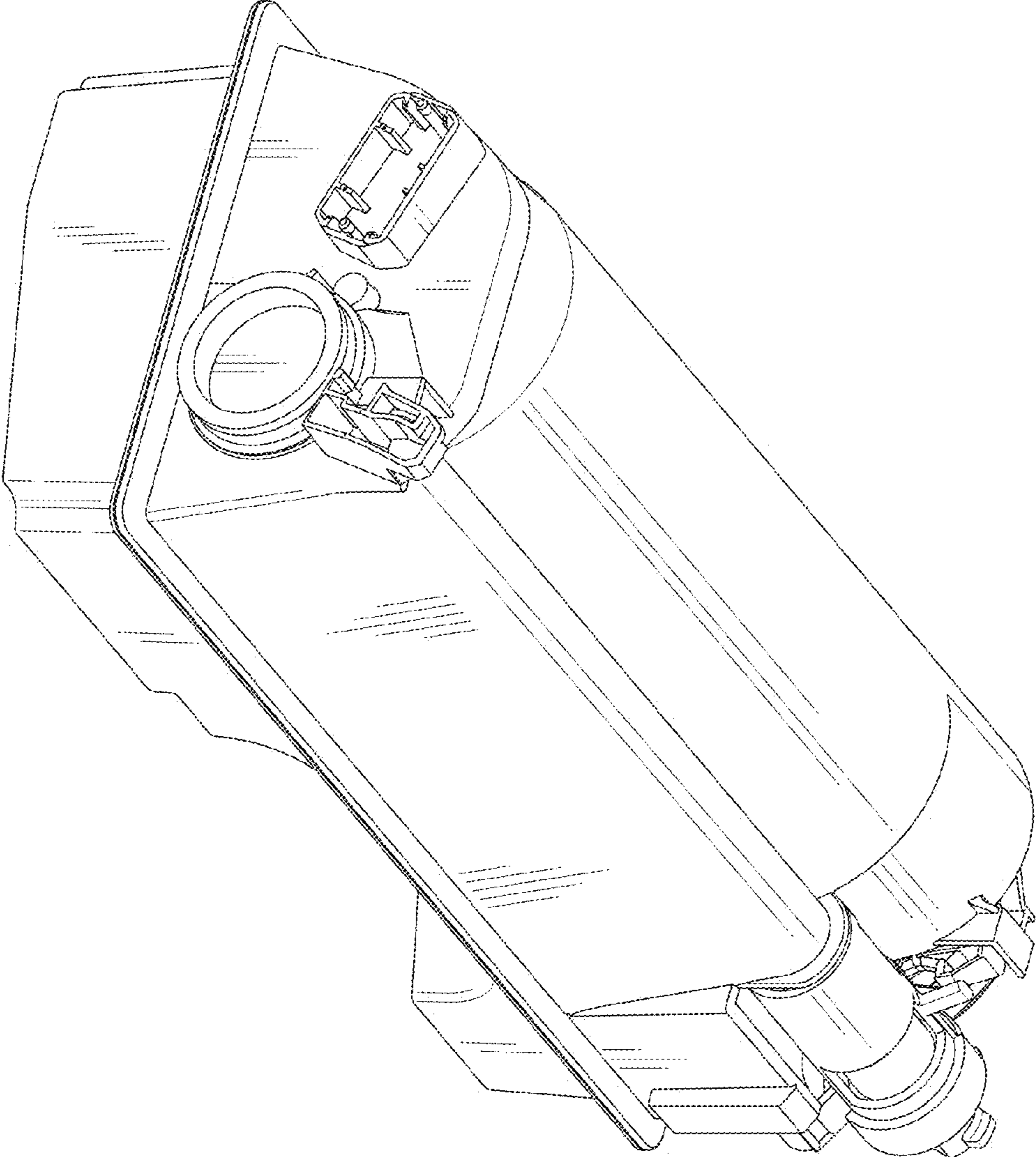


Fig. 3

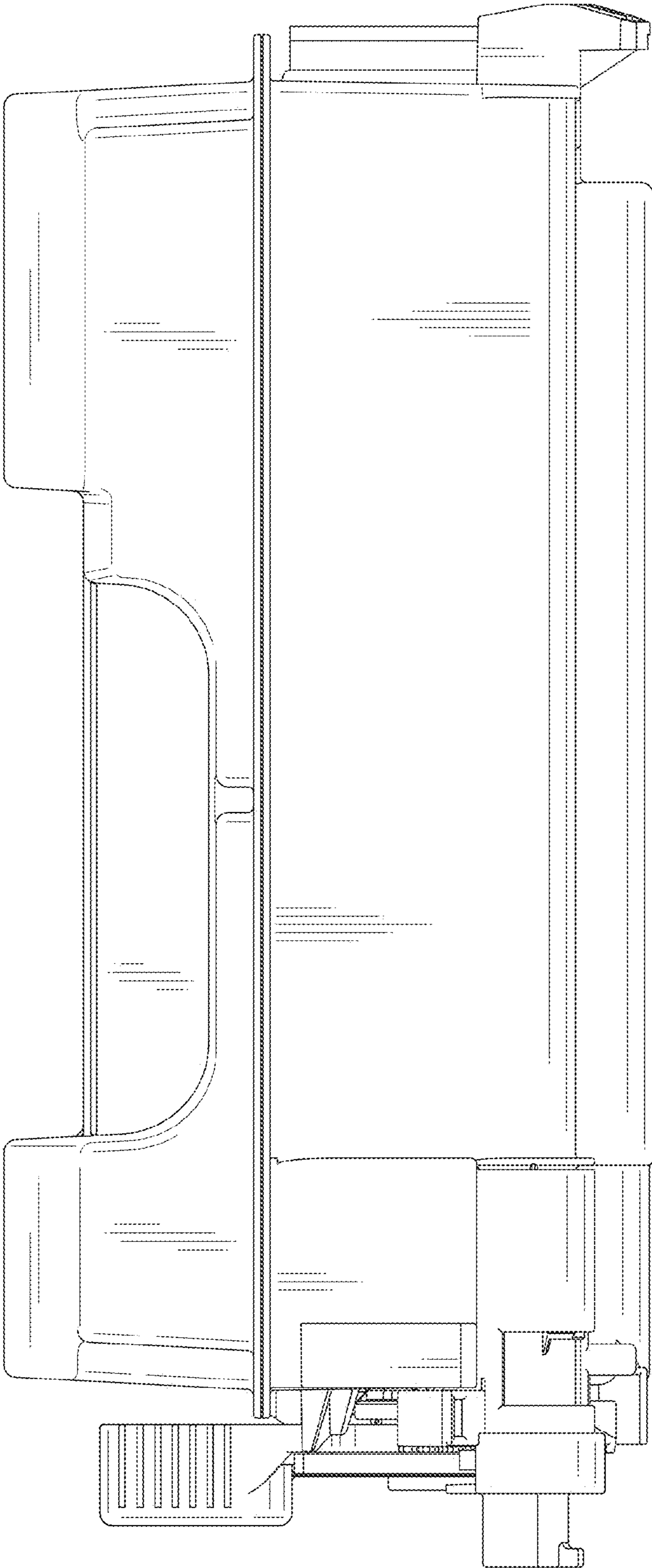


Fig. 4

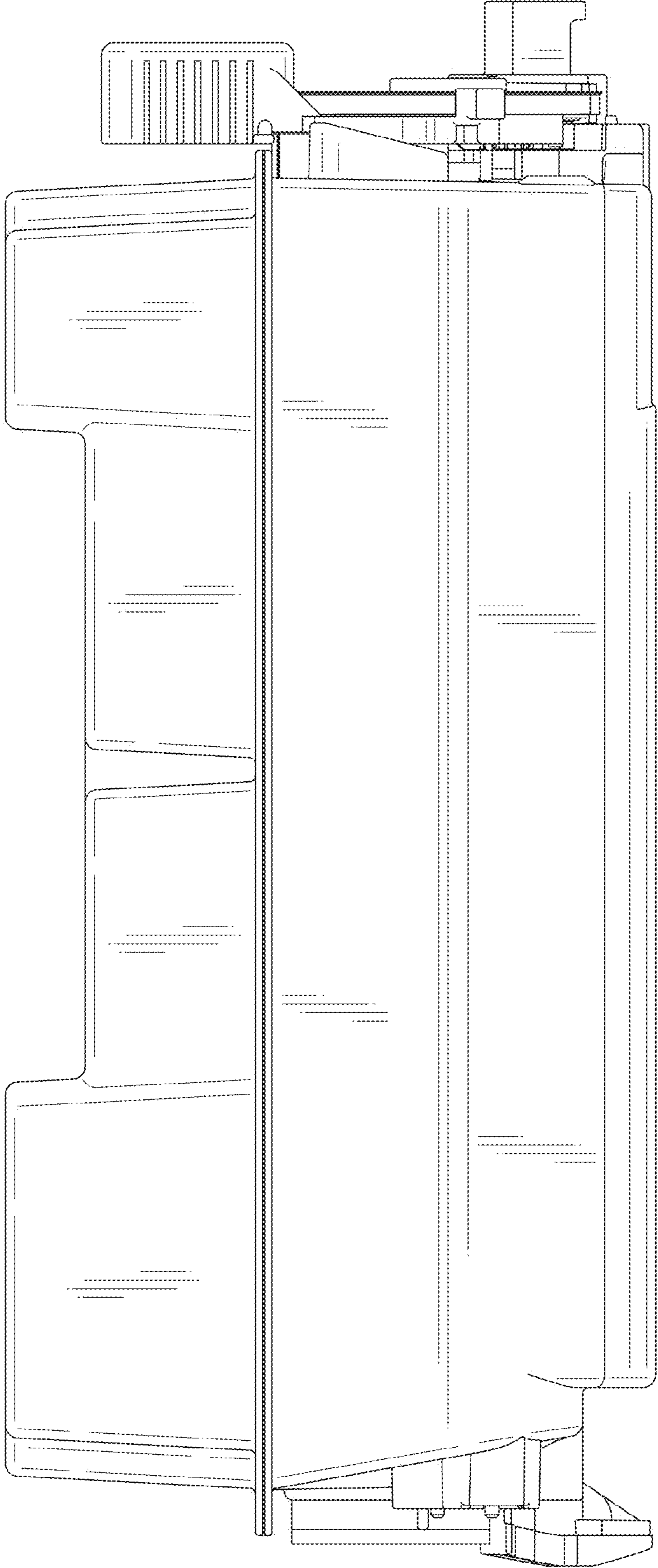


Fig. 6

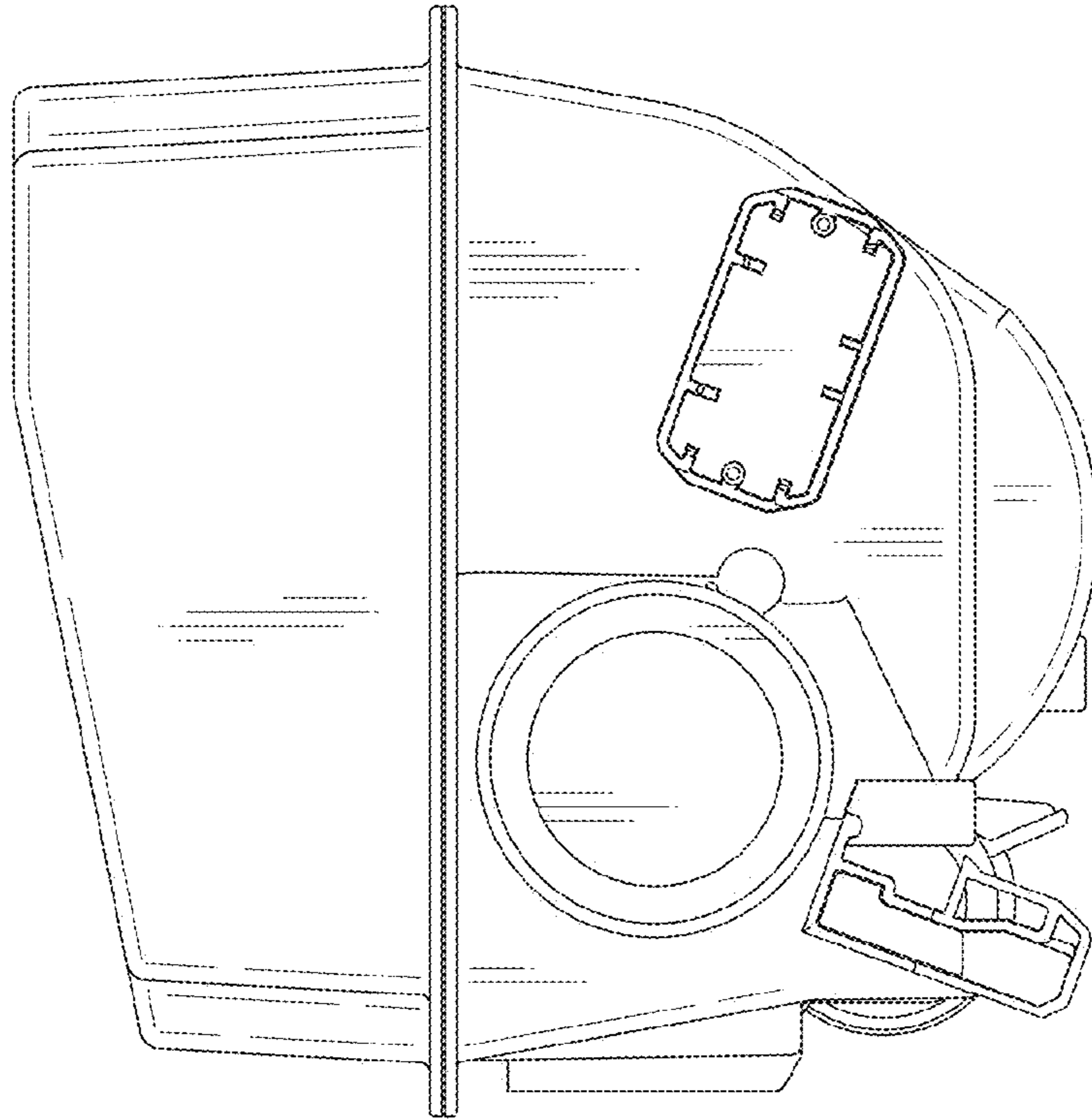


Fig. 5

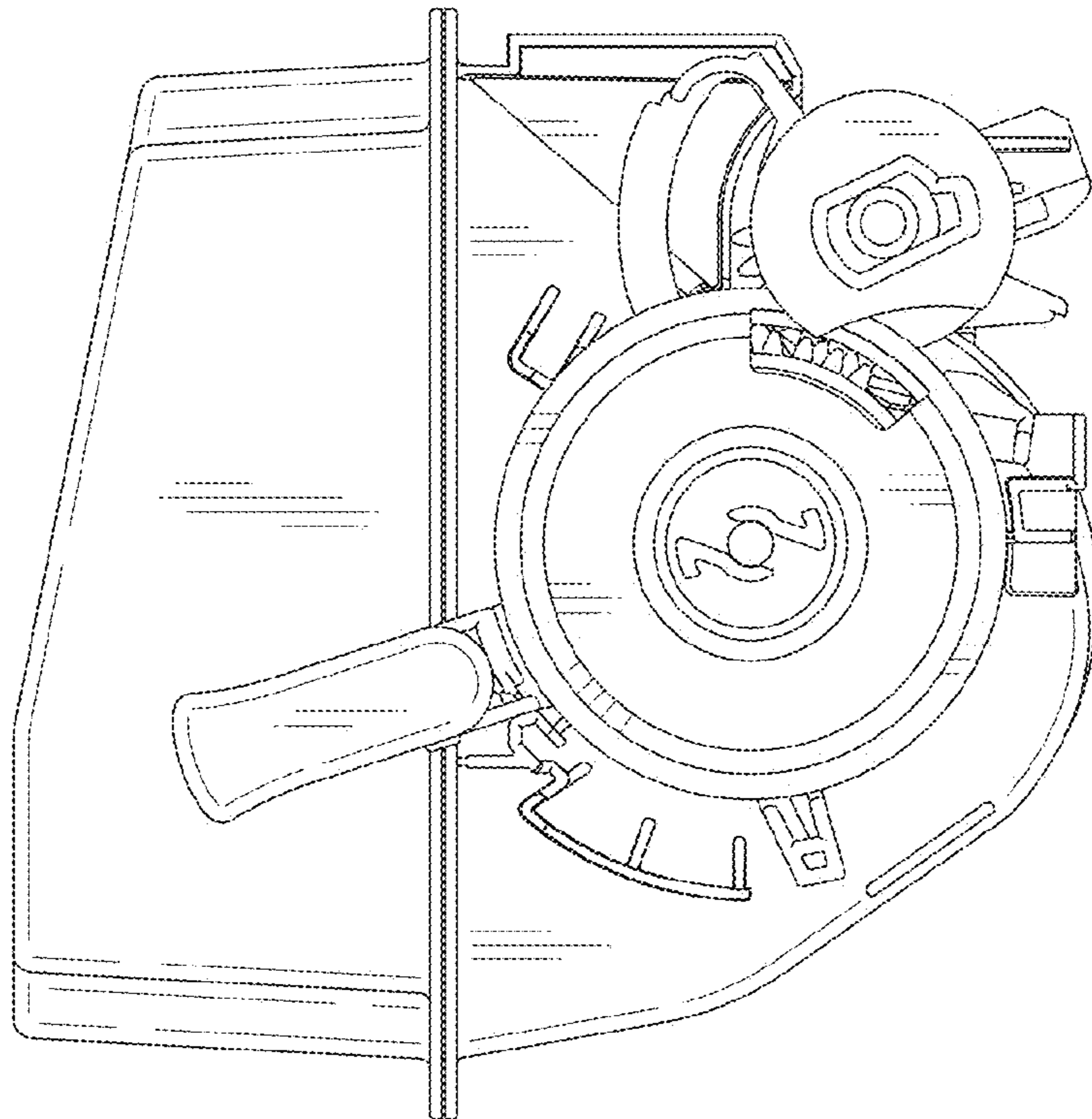


Fig. 7

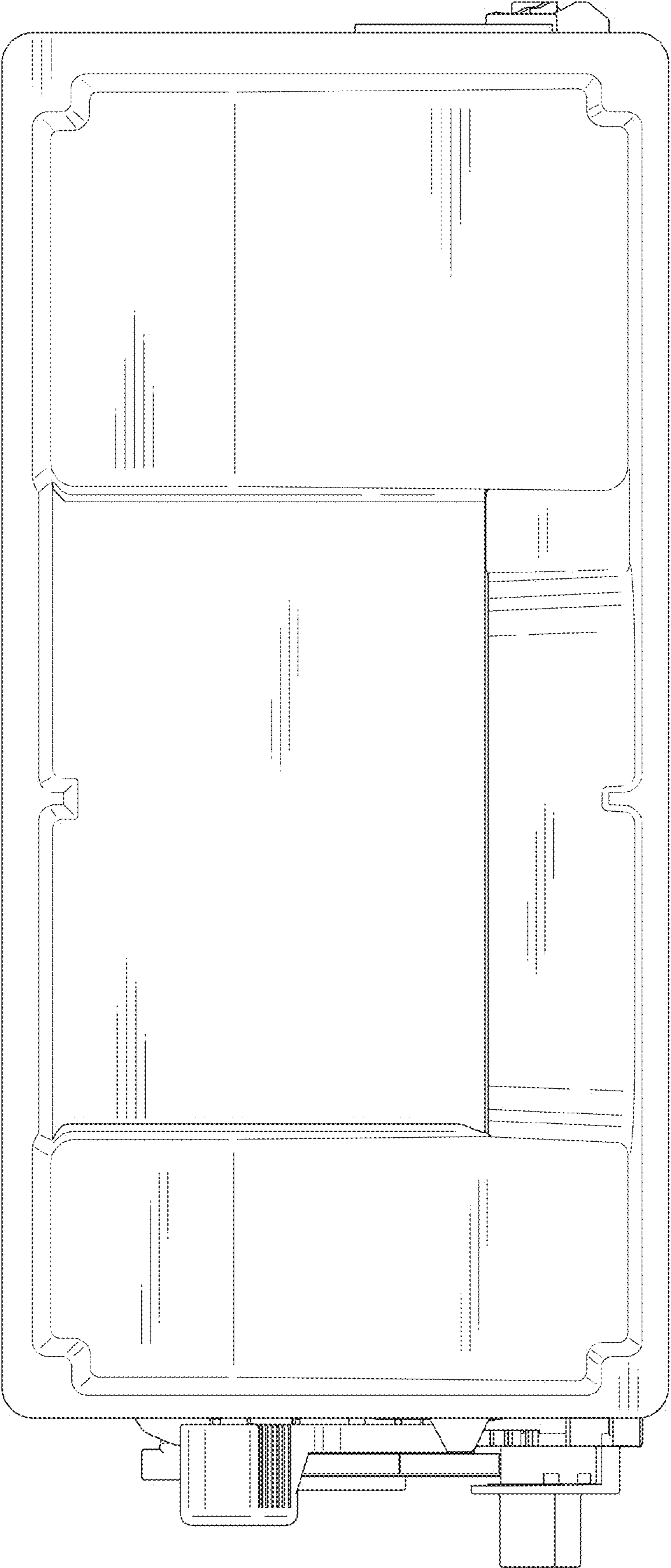


Fig. 8

