



US00D707748S

(12) **United States Design Patent**
Hernandez

(10) **Patent No.:** **US D707,748 S**
(45) **Date of Patent:** **** Jun. 24, 2014**

(54) **HANDLE ASSEMBLY FOR CAMERA**

(71) Applicant: **Charles Hernandez**, Rosemead, CA
(US)

(72) Inventor: **Charles Hernandez**, Rosemead, CA
(US)

(**) Term: **14 Years**

(21) Appl. No.: **29/444,515**

(22) Filed: **Jan. 31, 2013**

(51) **LOC (10) Cl.** **16-05**

(52) **U.S. Cl.**
USPC **D16/243**

(58) **Field of Classification Search**
USPC D16/237, 239, 242, 243, 244, 245, 250;
248/121, 176.1, 177.1, 187.1, 535;
352/242, 243; 396/419, 421, 422, 425,
396/428, 535

See application file for complete search history.

(56) **References Cited**

U.S. PATENT DOCUMENTS

D146,258 S	1/1947	Gans	
4,831,455 A	5/1989	Ishikawa et al.	
D382,288 S *	8/1997	Usui	D16/245
6,425,697 B1	7/2002	Potts et al.	
6,969,033 B2	11/2005	van der Linden	
7,372,503 B2	5/2008	Maeda	
D570,396 S *	6/2008	Foddis	D16/242

D594,499 S *	6/2009	McKay	D16/245
D597,121 S *	7/2009	McKay	D16/245
D654,527 S *	2/2012	Hernandez	D16/242
2009/0321593 A1 *	12/2009	Foddis	248/187.1

* cited by examiner

Primary Examiner — Susan Bennett Hattan

Assistant Examiner — Leanne Was

(74) *Attorney, Agent, or Firm* — Tsircou Law, PC

(57) **CLAIM**

The ornamental design for a handle assembly for camera, as shown and described.

DESCRIPTION

FIG. 1 is a front and right side perspective view of a handle assembly for camera in accordance with my new design.

FIG. 2 is a left side perspective view of the handle assembly of FIG. 1.

FIG. 3 is a right side perspective view of the handle assembly of FIG. 1.

FIG. 4 is a front elevational view of the handle assembly of FIG. 1.

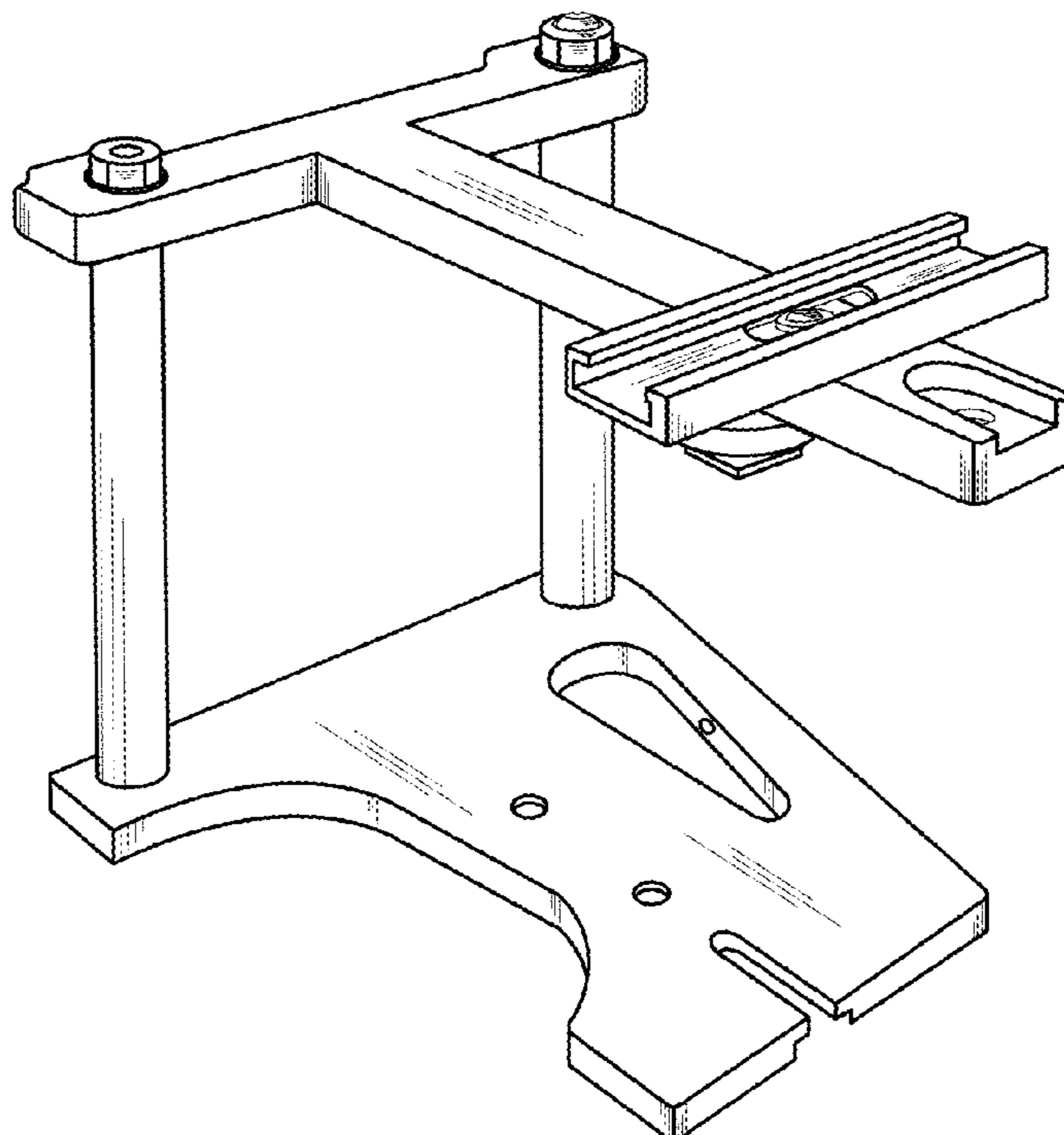
FIG. 5 is a back elevational view of the handle assembly of FIG. 1.

FIG. 6 is a top plan view of the handle assembly of FIG. 1; and,

FIG. 7 is a bottom plan view of the handle assembly of FIG. 1.

The dashed lines depict environmental aspects and form no part of the claimed design.

1 Claim, 4 Drawing Sheets



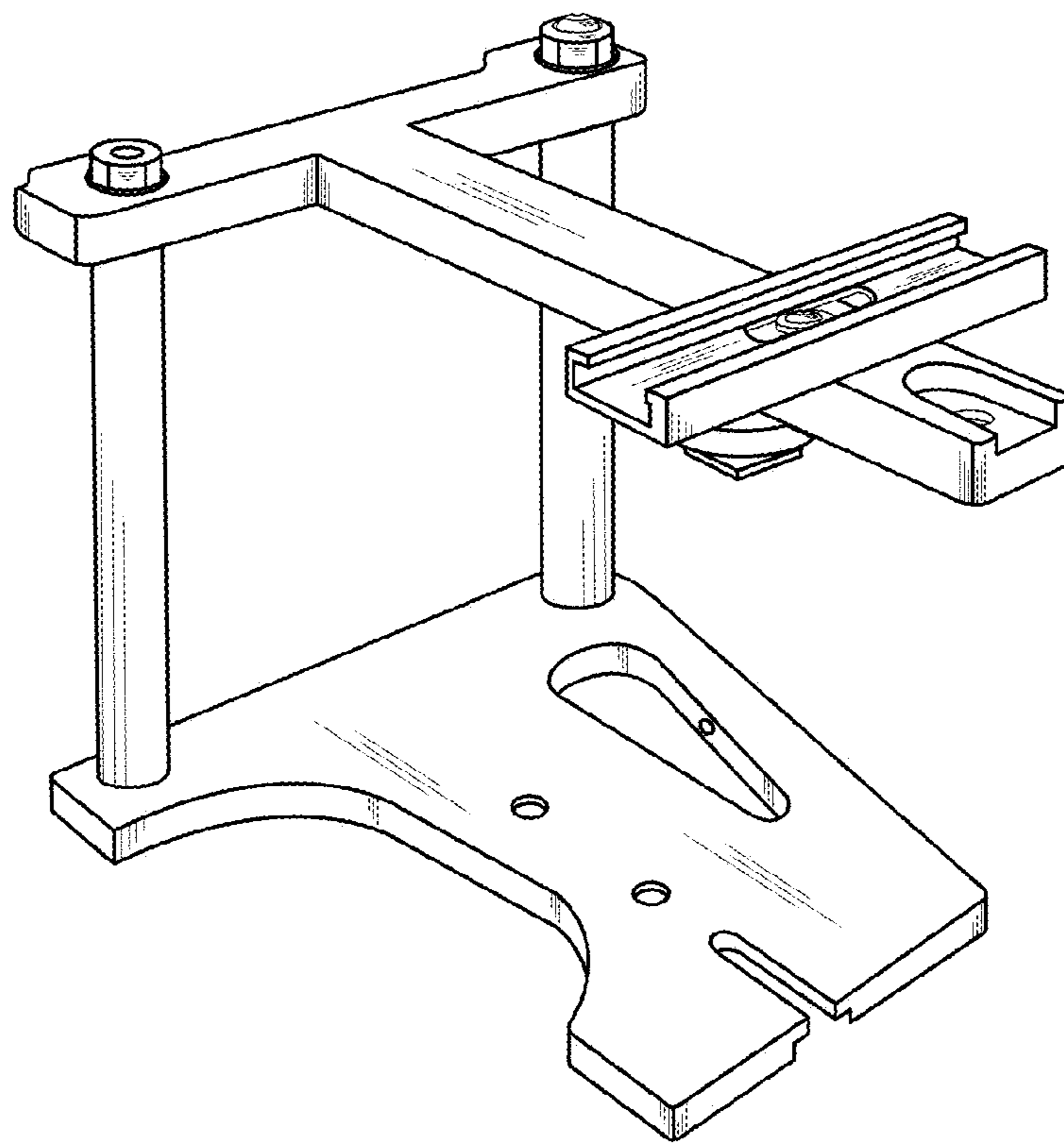


FIG. 1

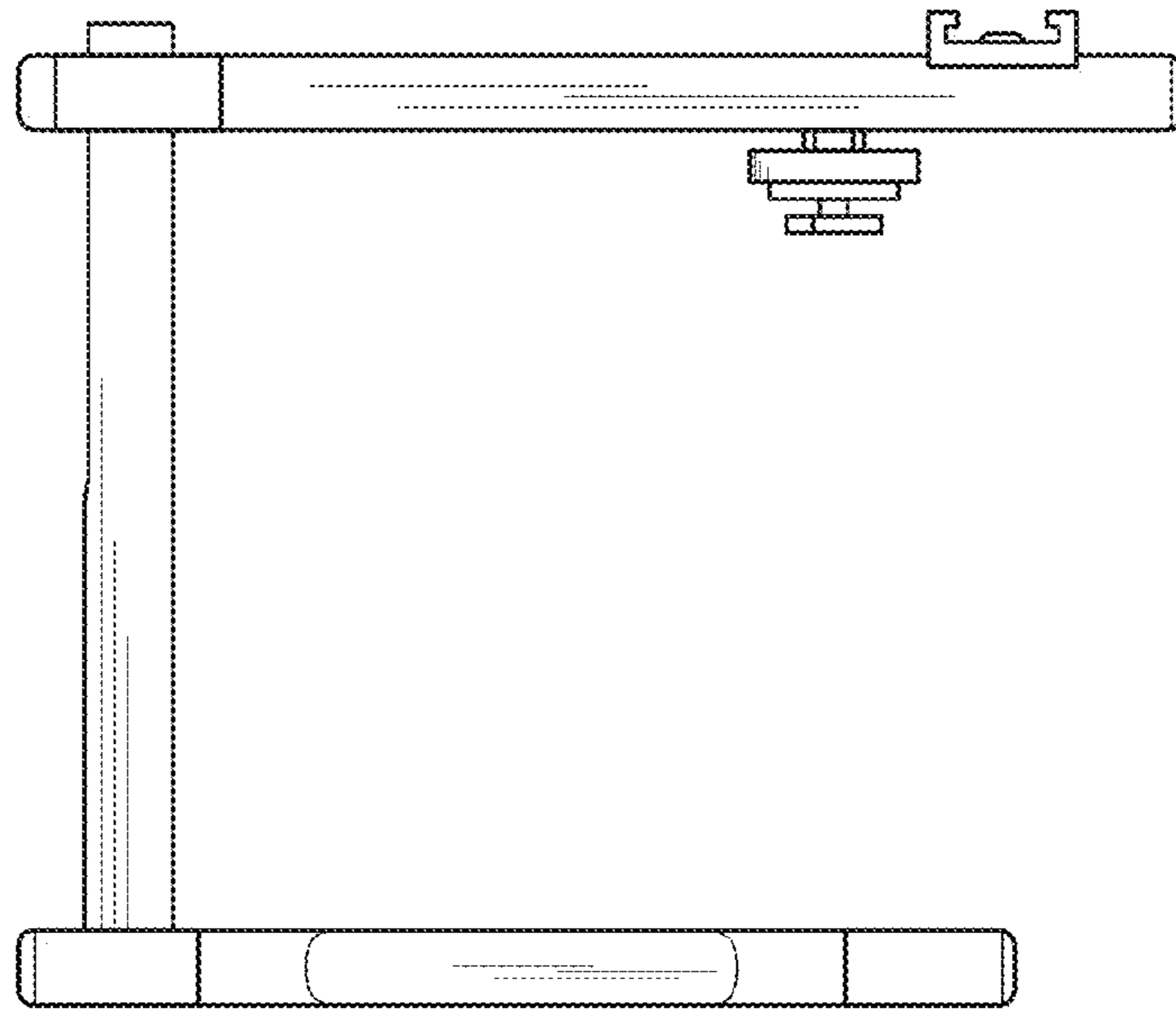


FIG. 2

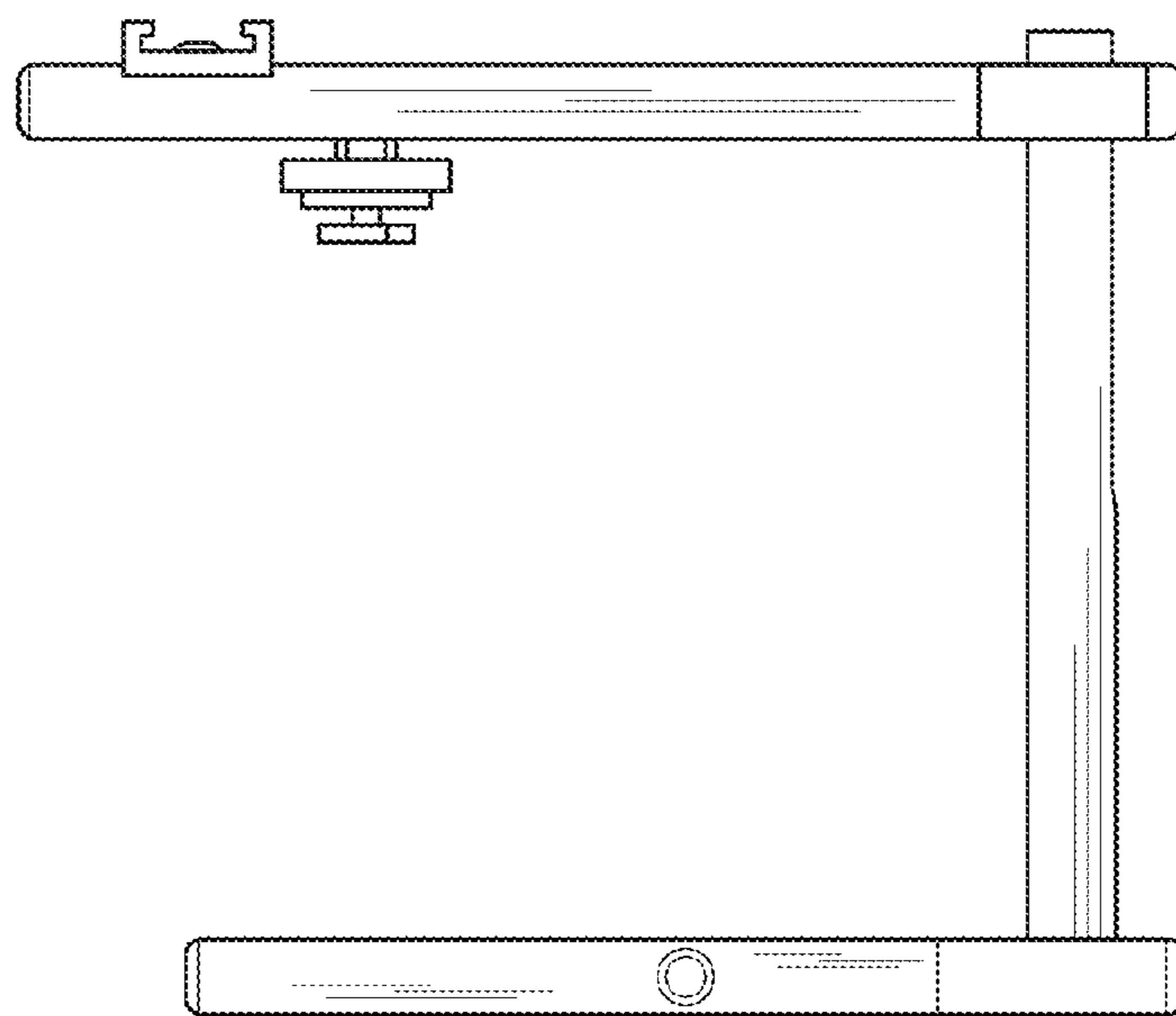


FIG. 3

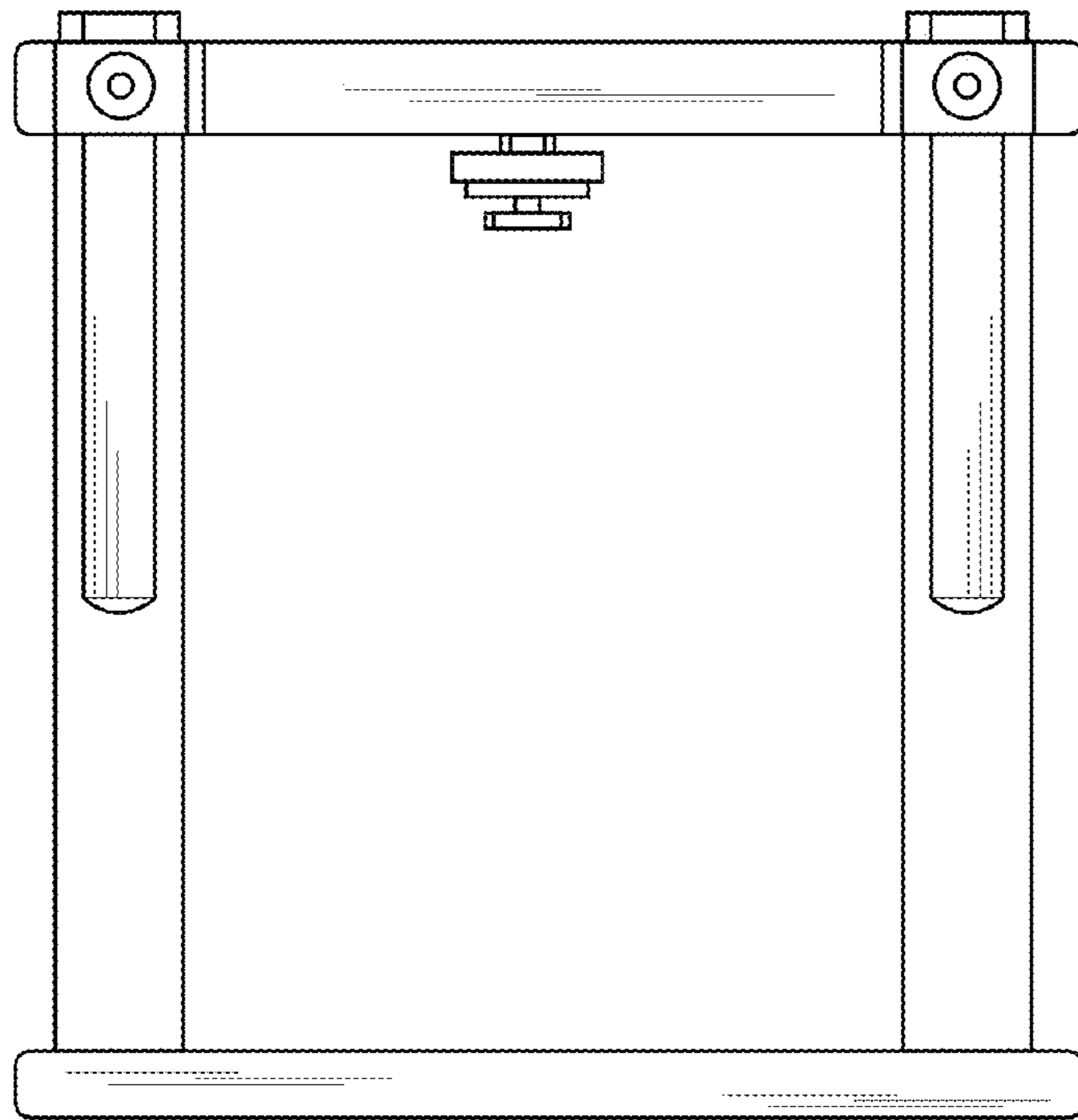


FIG. 4

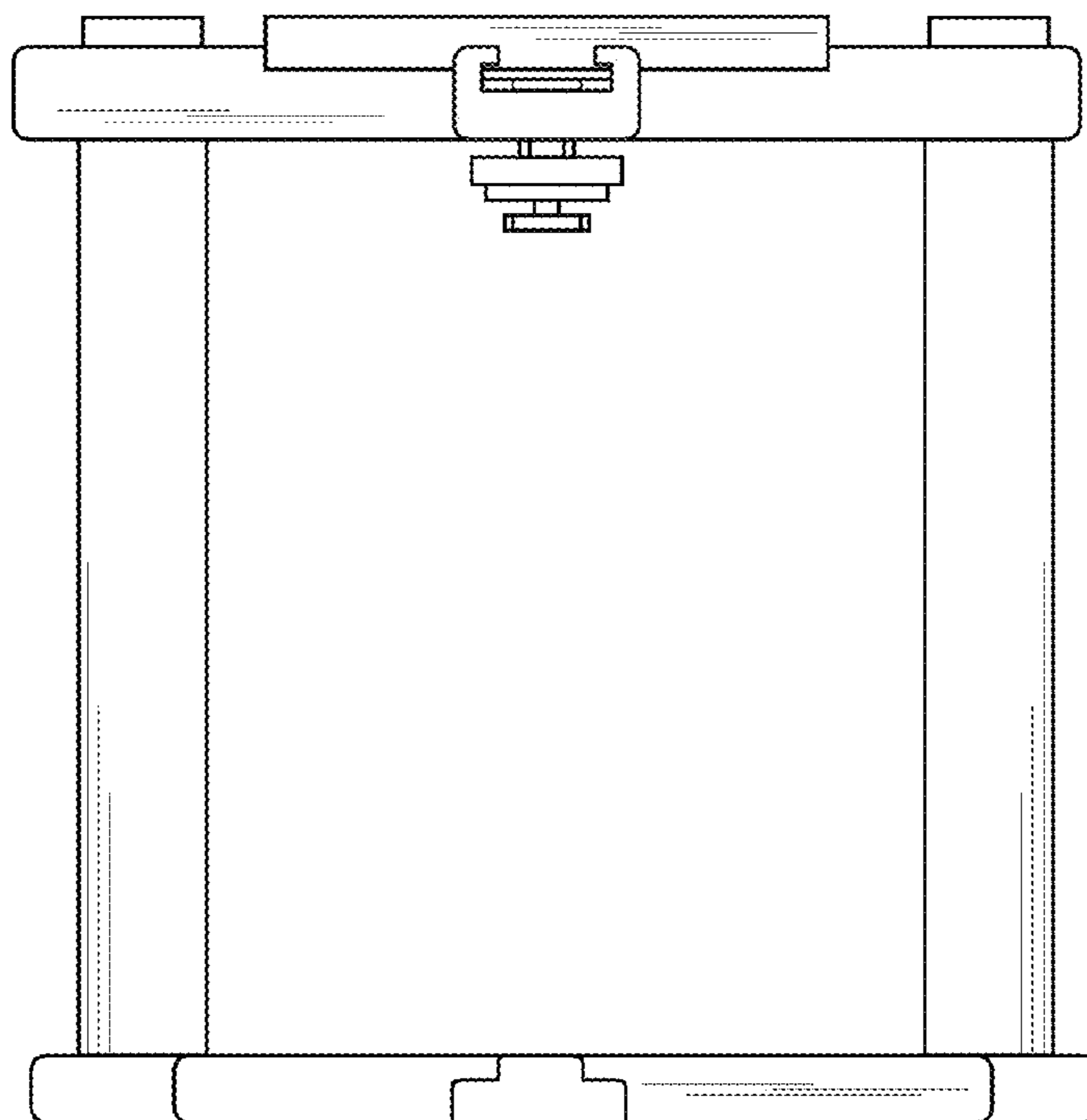


FIG. 5

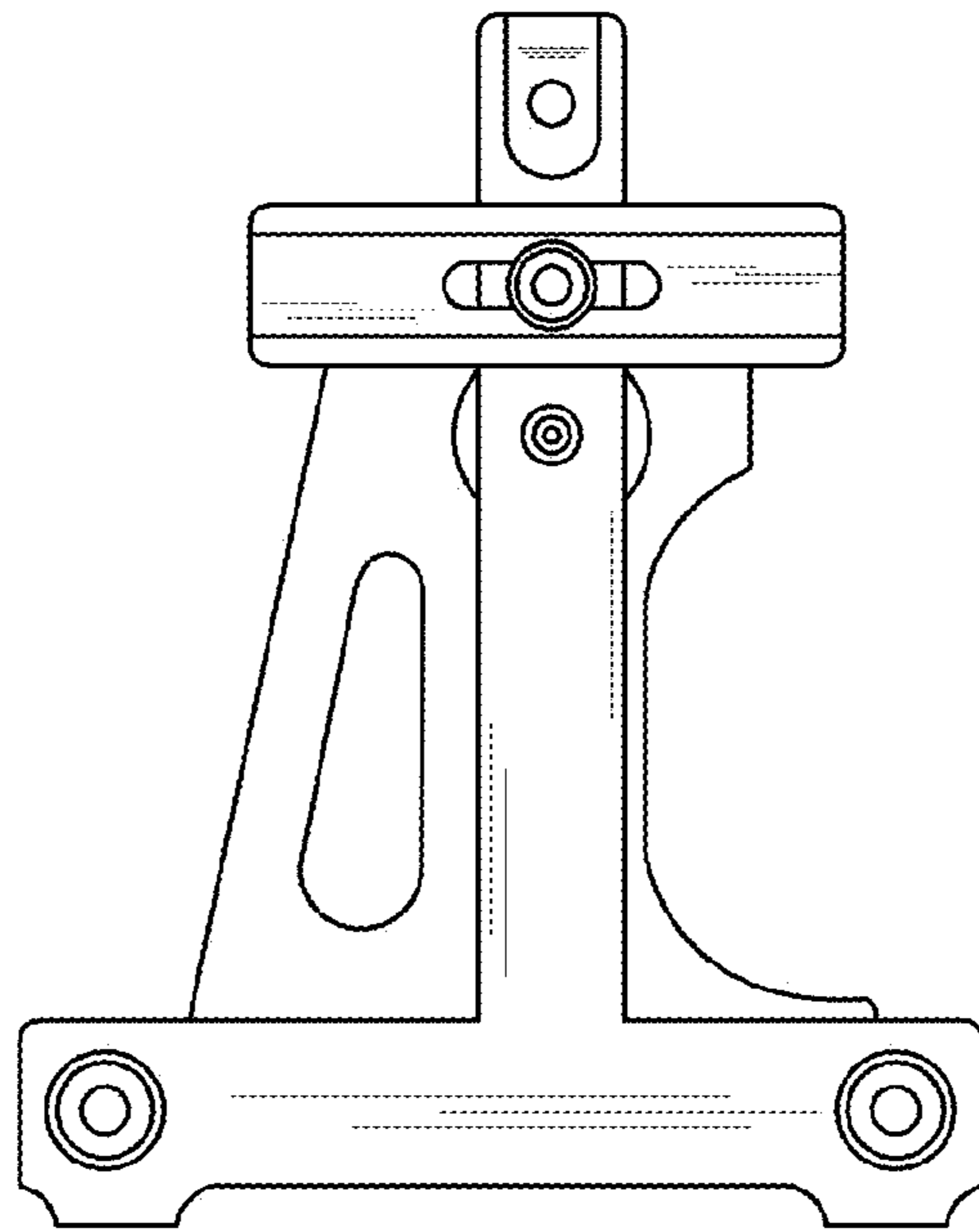


FIG. 6

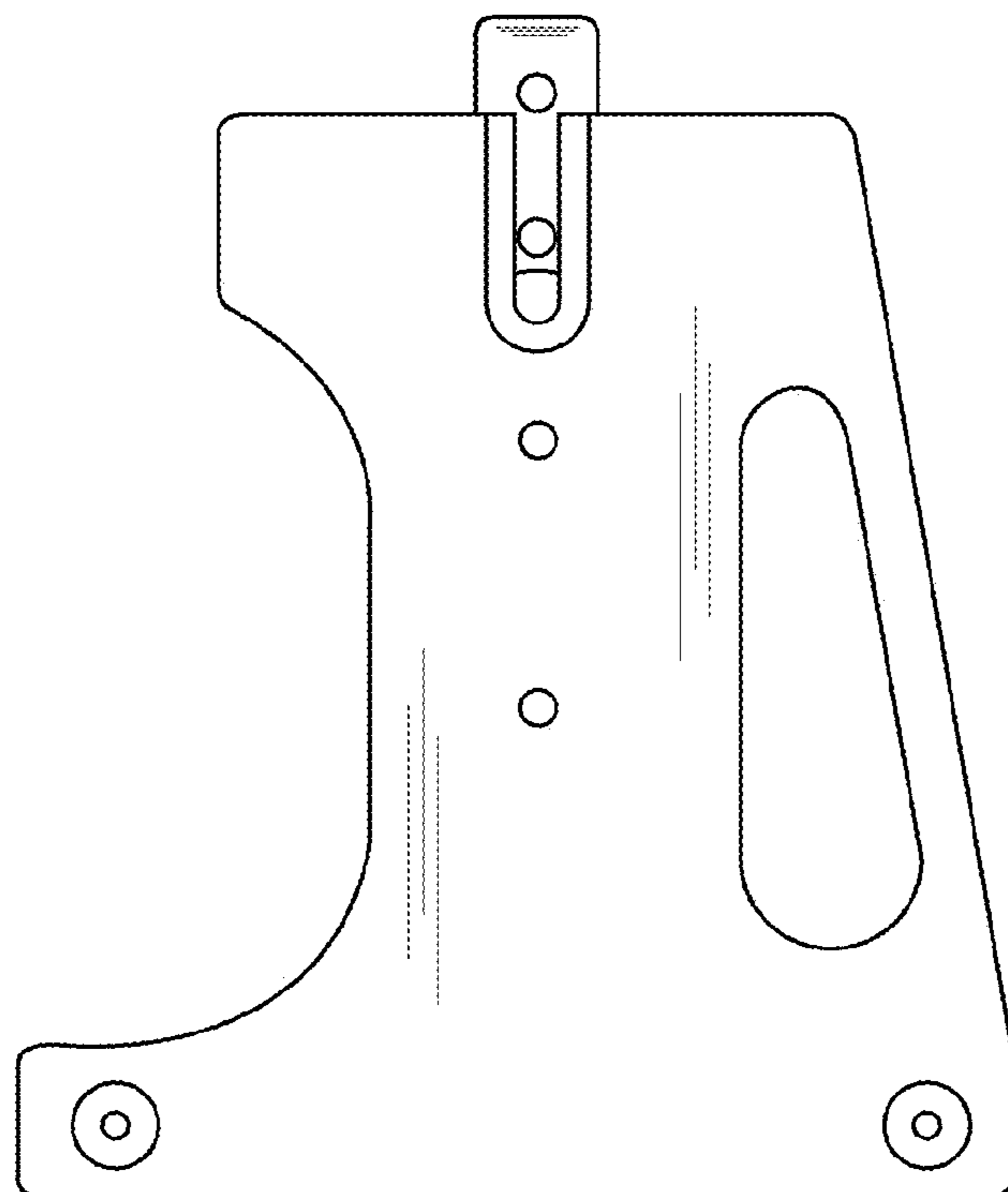


FIG. 7