



US00D707747S

(12) **United States Design Patent**
Pelini

(10) **Patent No.:** **US D707,747 S**

(45) **Date of Patent:** **** Jun. 24, 2014**

(54) **CAMERA MOUNT**

(76) **Inventor:** **Mark F. Pelini**, Valrico, FL (US)

(**) **Term:** **14 Years**

(21) **Appl. No.:** **29/428,022**

(22) **Filed:** **Jul. 25, 2012**

Related U.S. Application Data

(63) Continuation-in-part of application No. 13/547,589, filed on Jul. 12, 2012.

(51) **LOC (10) Cl.** **16-05**

(52) **U.S. Cl.**
USPC **D16/242**

(58) **Field of Classification Search**
USPC D16/237, 240, 242, 243, 244, 245, 250;
224/185, 189, 275, 550, 553, 554;
248/176.1, 176.3, 177.1, 178.1, 183.1,
248/183.2, 184.1, 185.1, 187.1, 291.1, 306,
248/689, 690, 691; 396/5, 12, 13, 419, 421,
396/425, 428

See application file for complete search history.

(56) **References Cited**

U.S. PATENT DOCUMENTS

5,806,734 A * 9/1998 Scott 224/265
6,000,859 A * 12/1999 Mulcahy et al. 396/422

6,042,277 A * 3/2000 Errington 396/419
2008/0240705 A1 * 10/2008 Nazarian 396/420
2009/0189047 A1 * 7/2009 Means 248/354.1
2011/0129210 A1 * 6/2011 McGucken 396/422

* cited by examiner

Primary Examiner — Susan Bennett Hattan

Assistant Examiner — Leanne Was

(74) *Attorney, Agent, or Firm* — Edward P. Dutkiewicz

(57) **CLAIM**

The ornamental design for a camera mount, as shown and described.

DESCRIPTION

FIG. 1 is a front elevational view of the camera mount showing my new design, the rear elevational view and the front elevational view being identical. The broken lines shown in the drawings represent commonly available camera mounts. The broken lines shown in the drawing are directed to environment, and are for informational purposes only and form no part of the claimed design.

FIG. 2 is a right side elevational view, the left side elevational view and the right side elevational view being identical;

FIG. 3 is top plan view; and,

FIG. 4 is a bottom plan view of the camera mount.

1 Claim, 2 Drawing Sheets

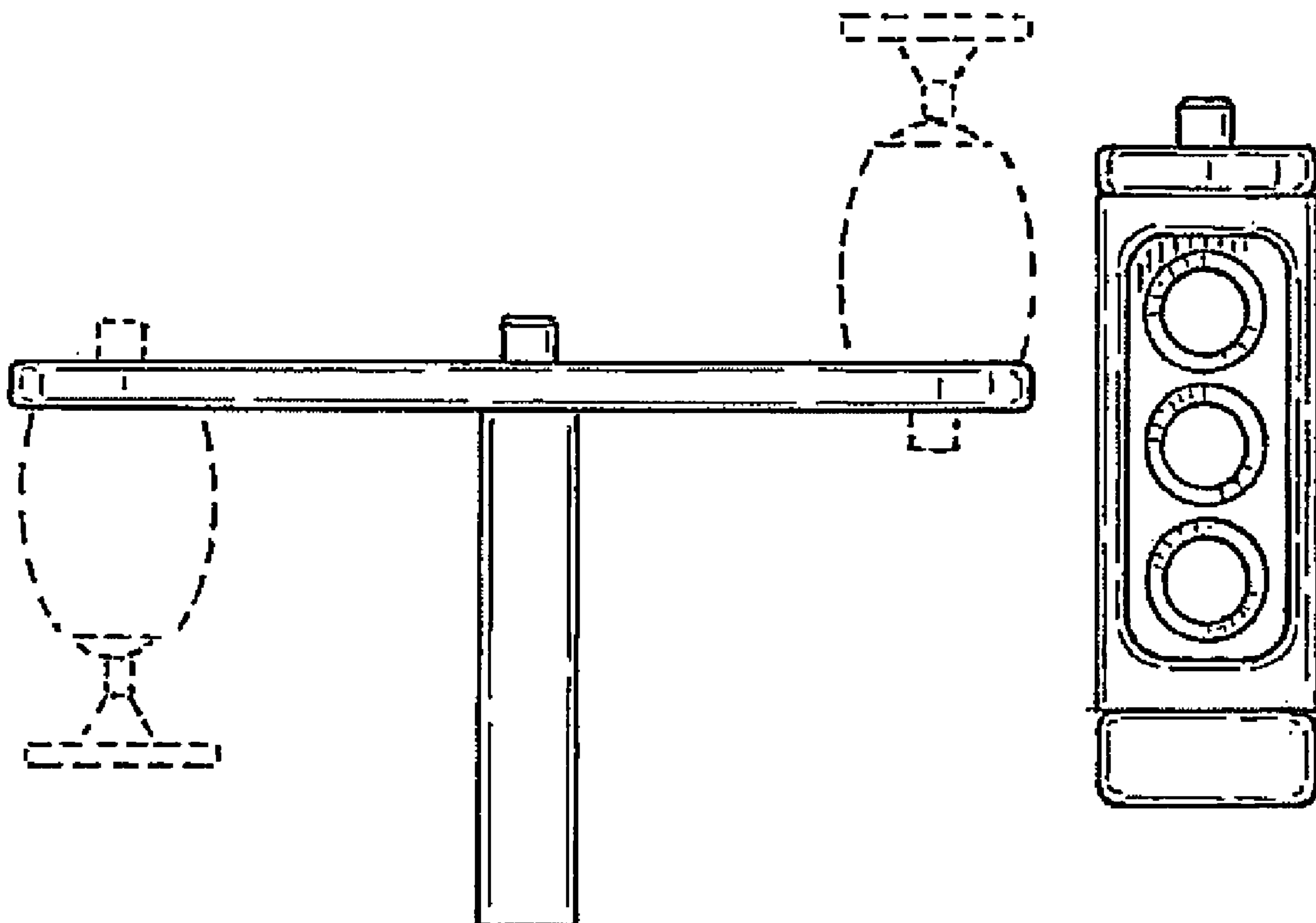


FIG. 1

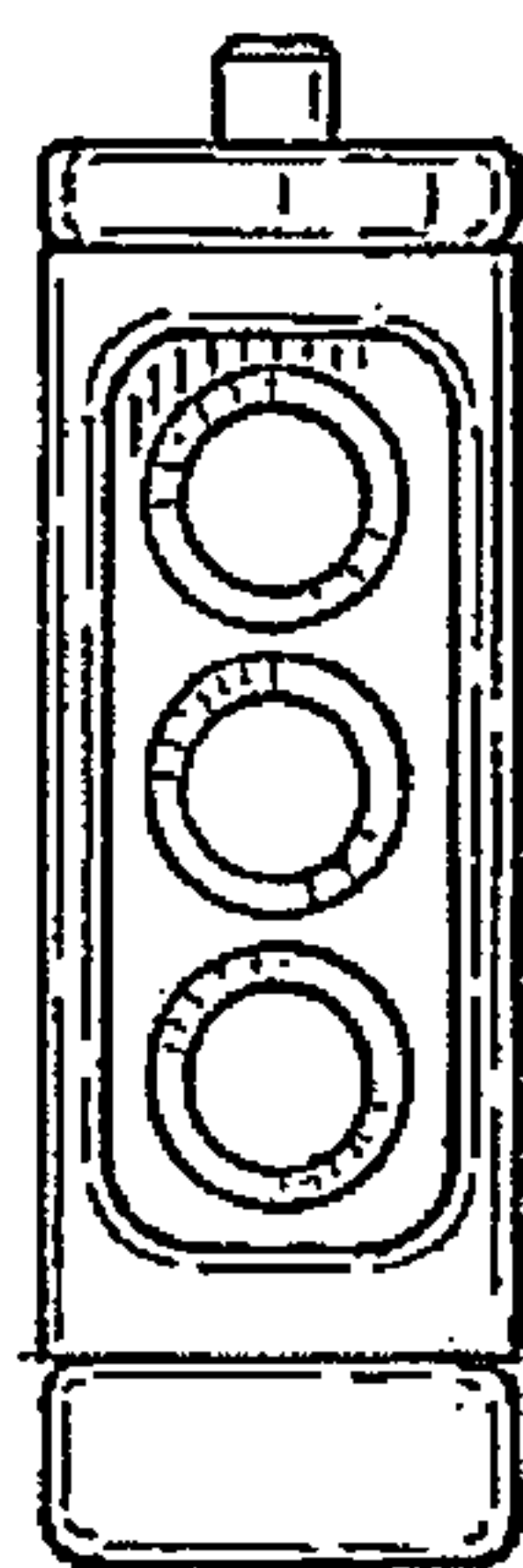
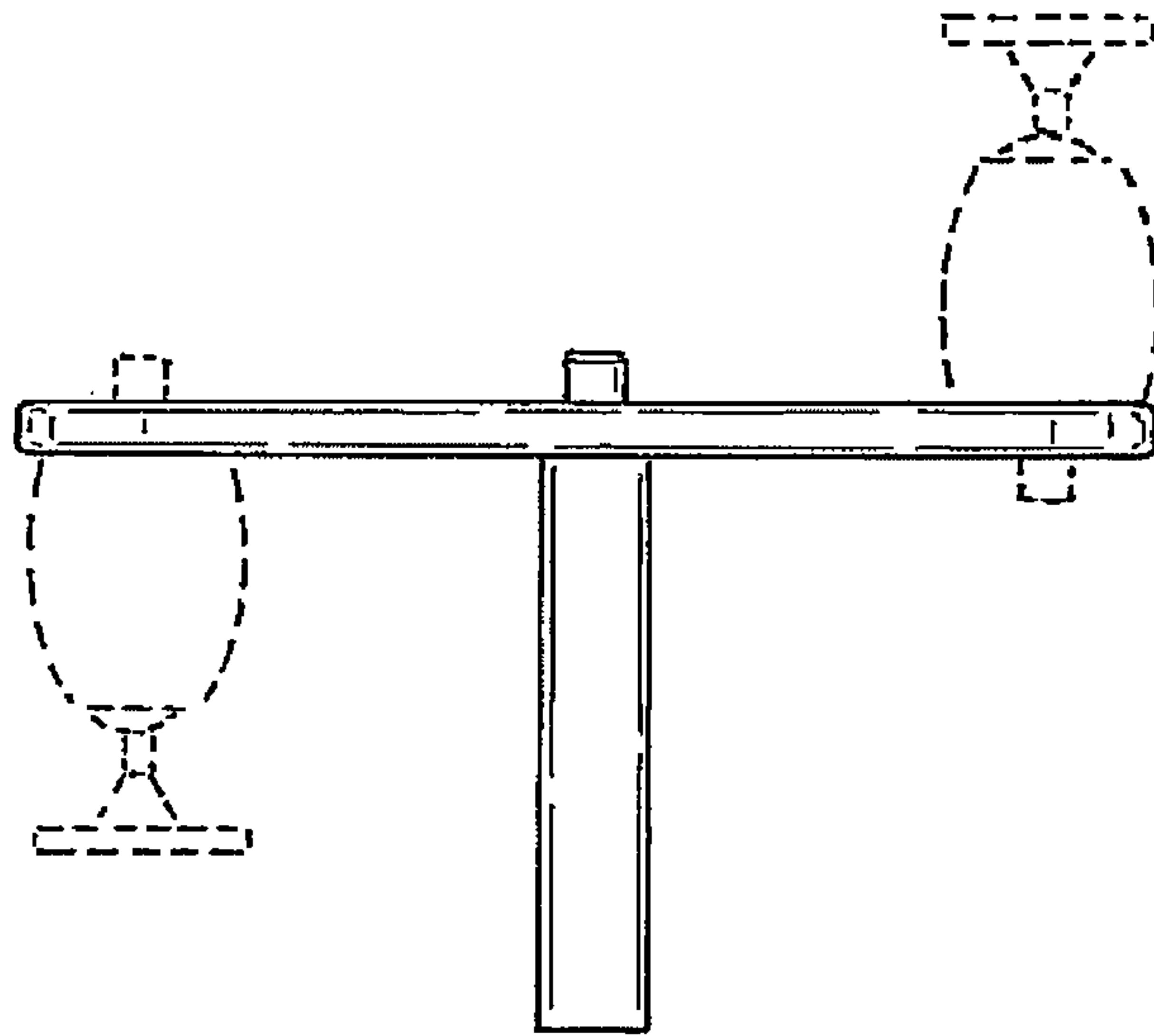


FIG. 2

FIG. 3

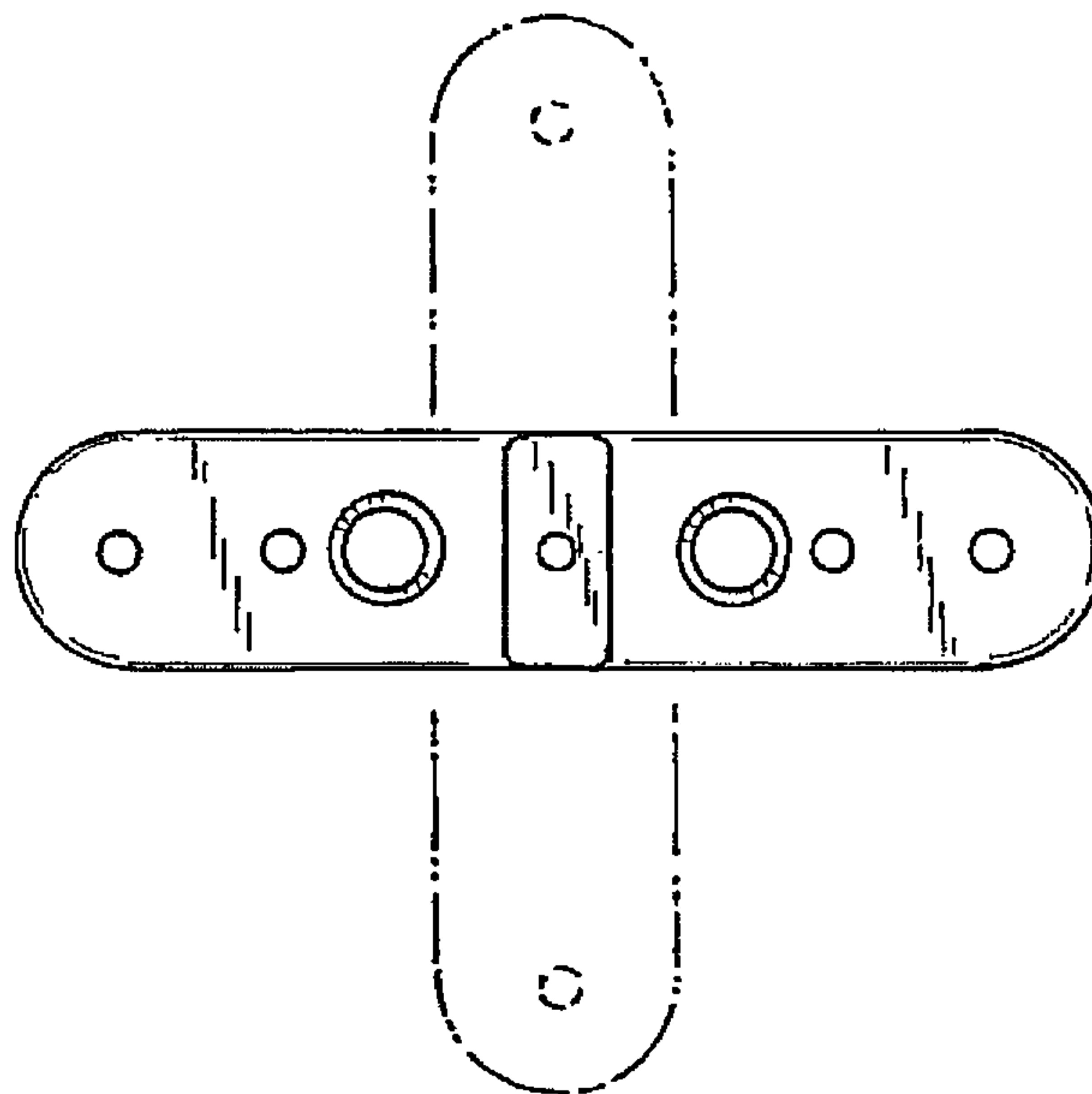
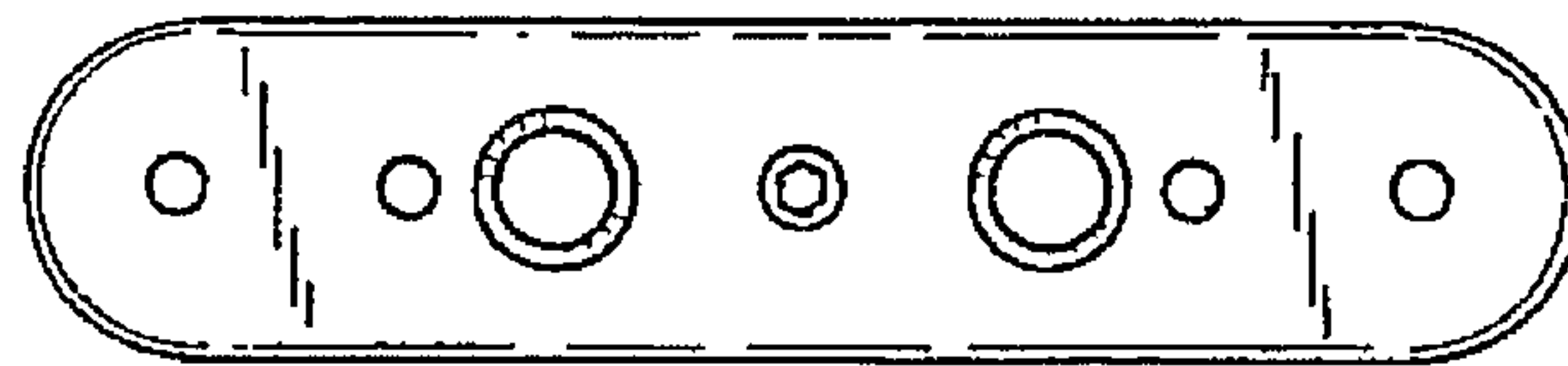


FIG. 4