



US00D707744S

(12) **United States Design Patent**
Shimizu et al.

(10) **Patent No.:** **US D707,744 S**
(45) **Date of Patent:** **** Jun. 24, 2014**

- (54) **PORTABLE DIGITAL CAMERA**
- (71) Applicant: **Sony Corporation**, Tokyo (JP)
- (72) Inventors: **Naoto Shimizu**, San Diego, CA (US);
Keiichi Totsuka, Rancho Palos Verdes,
CA (US)
- (73) Assignee: **Sony Corporation**, Tokyo (JP)
- (**) Term: **14 Years**
- (21) Appl. No.: **29/438,164**
- (22) Filed: **Nov. 27, 2012**
- (51) **LOC (10) Cl.** **16-01**
- (52) **U.S. Cl.**
USPC **D16/206; D16/243**
- (58) **Field of Classification Search**
USPC D16/200, 202, 203, 205, 206, 208, 218,
D16/219, 243; 348/373-376; 396/535, 540,
396/541
See application file for complete search history.

D242,617 S *	12/1976	Bode et al.	D16/206
D247,568 S *	3/1978	Miller et al.	D16/206
D445,817 S *	7/2001	Okuley	D16/206
D540,838 S *	4/2007	Aronsson et al.	D16/243
7,250,603 B1 *	7/2007	Nugent	250/330

* cited by examiner

Primary Examiner — Adir Aronovich

(74) *Attorney, Agent, or Firm* — John L. Rogitz

(57) **CLAIM**

The ornamental design for a portable digital camera, as shown and described.

DESCRIPTION

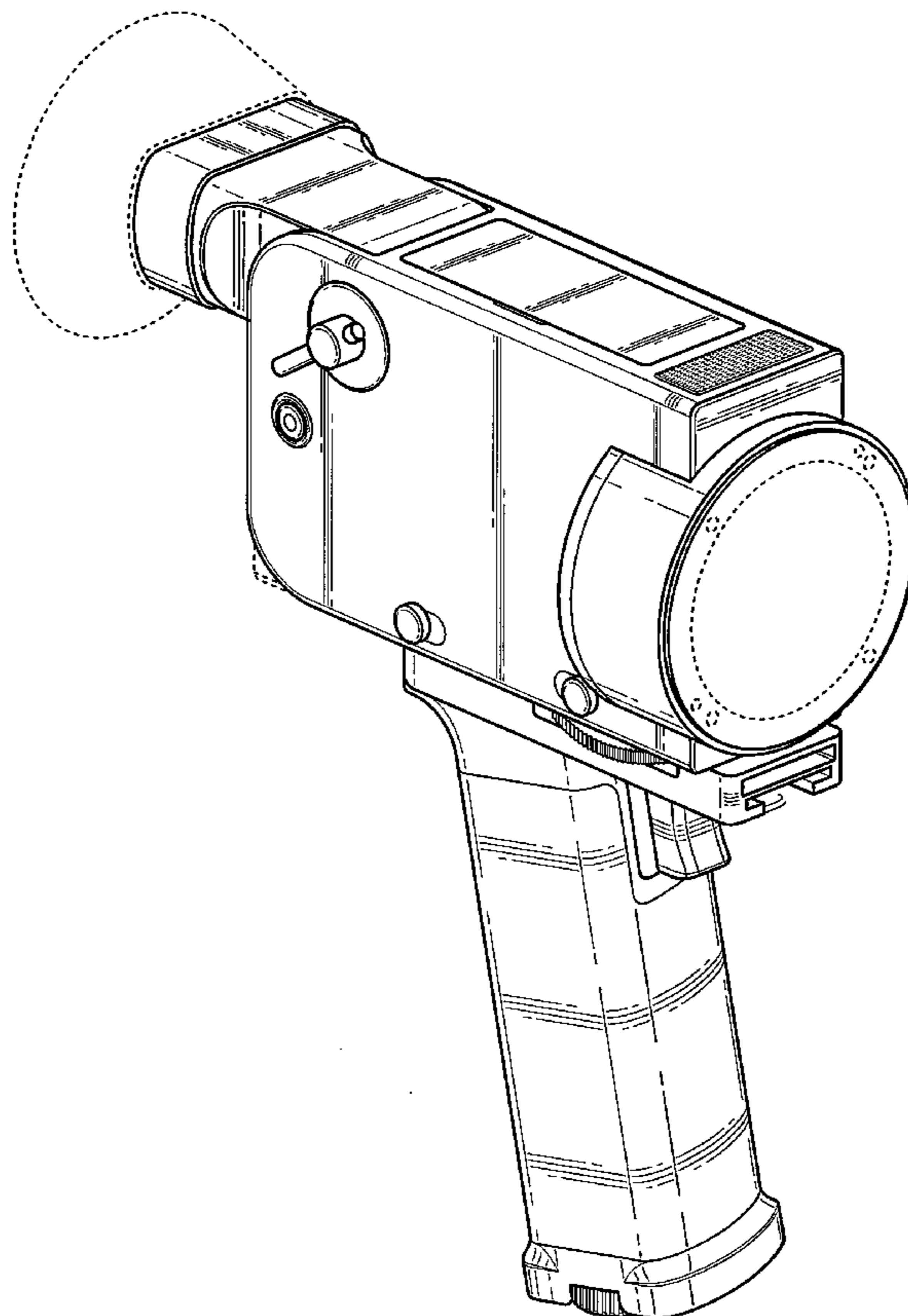
FIG. 1 is a top, front and left side perspective view of a portable digital camera showing our new design;
 FIG. 2 is a front elevational view thereof;
 FIG. 3 is a rear elevational view thereof;
 FIG. 4 is a top plan view thereof;
 FIG. 5 is a bottom plan view thereof;
 FIG. 6 is a left side elevational view thereof; and,
 FIG. 7 is right side elevational view thereof.
 The portions of the portable digital camera in broken lines are shown for illustrative purposes only and form no part of the claimed design.

1 Claim, 5 Drawing Sheets

(56) **References Cited**

U.S. PATENT DOCUMENTS

D207,513 S *	4/1967	Bjora	D16/206
D236,914 S *	9/1975	Matsumoto	D16/206



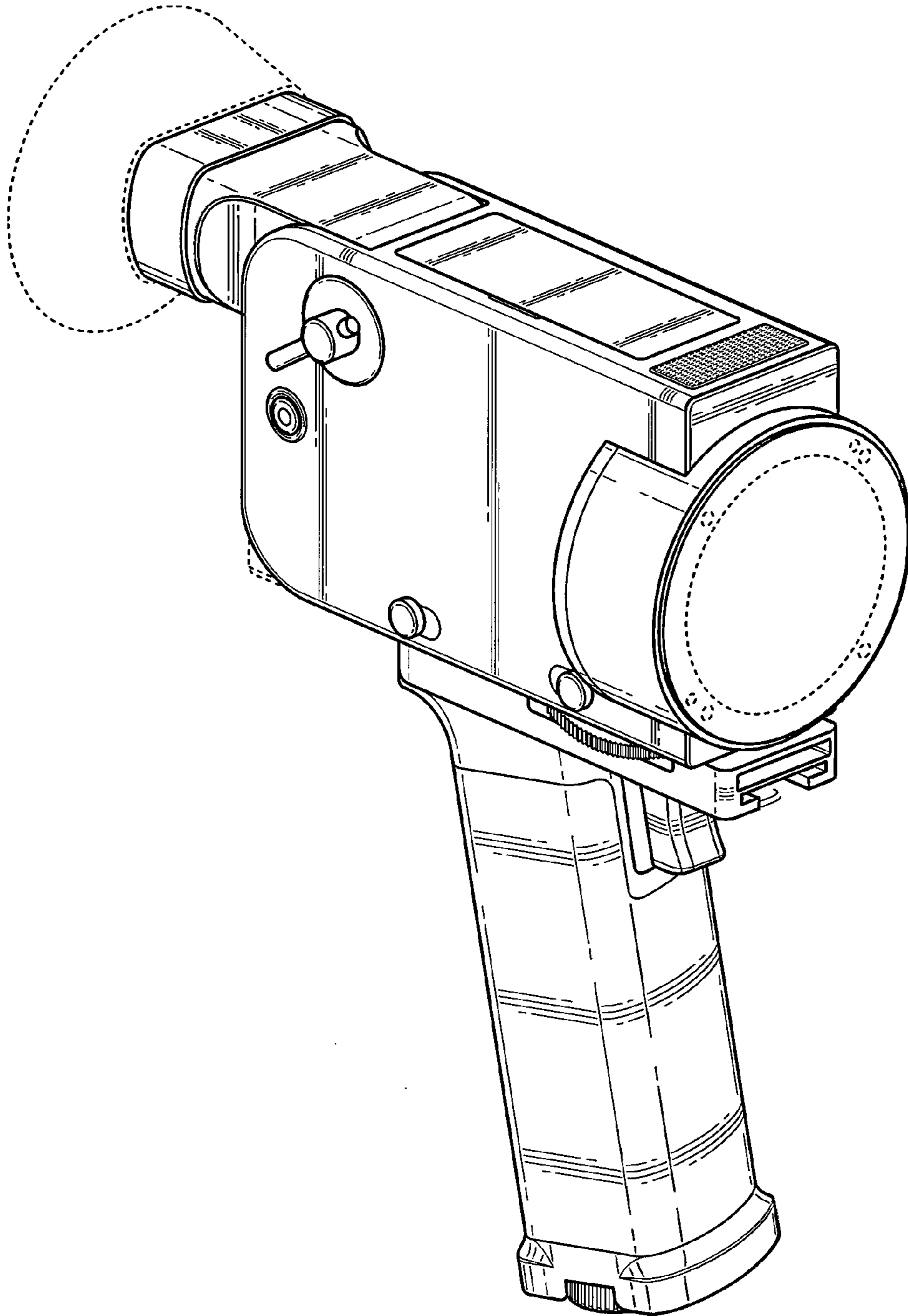


FIG. 1

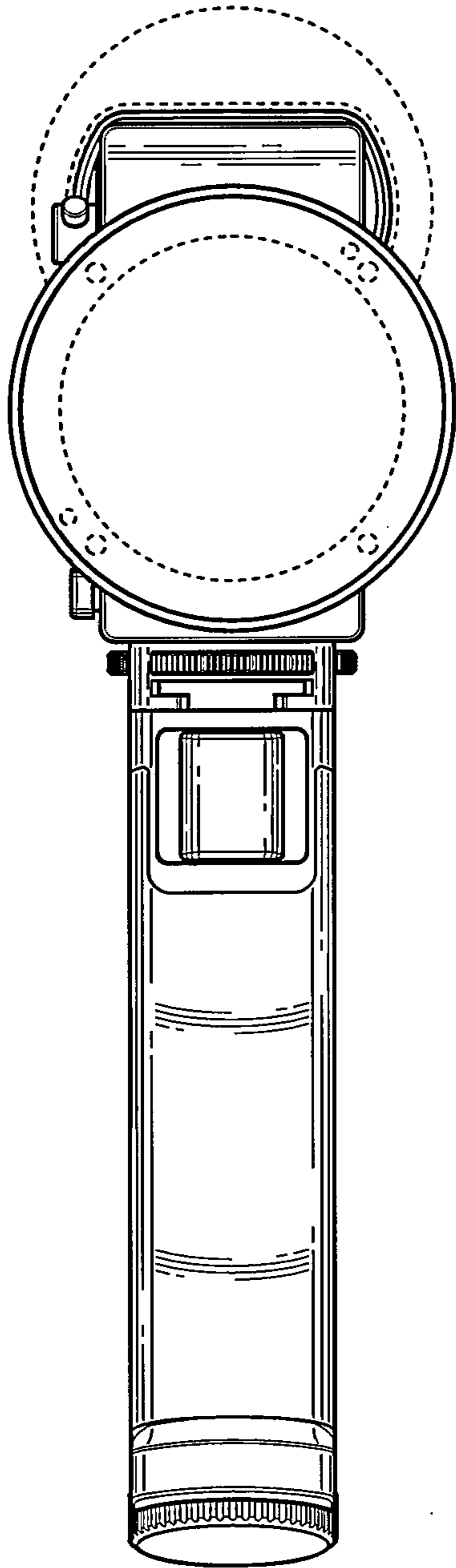


FIG. 2

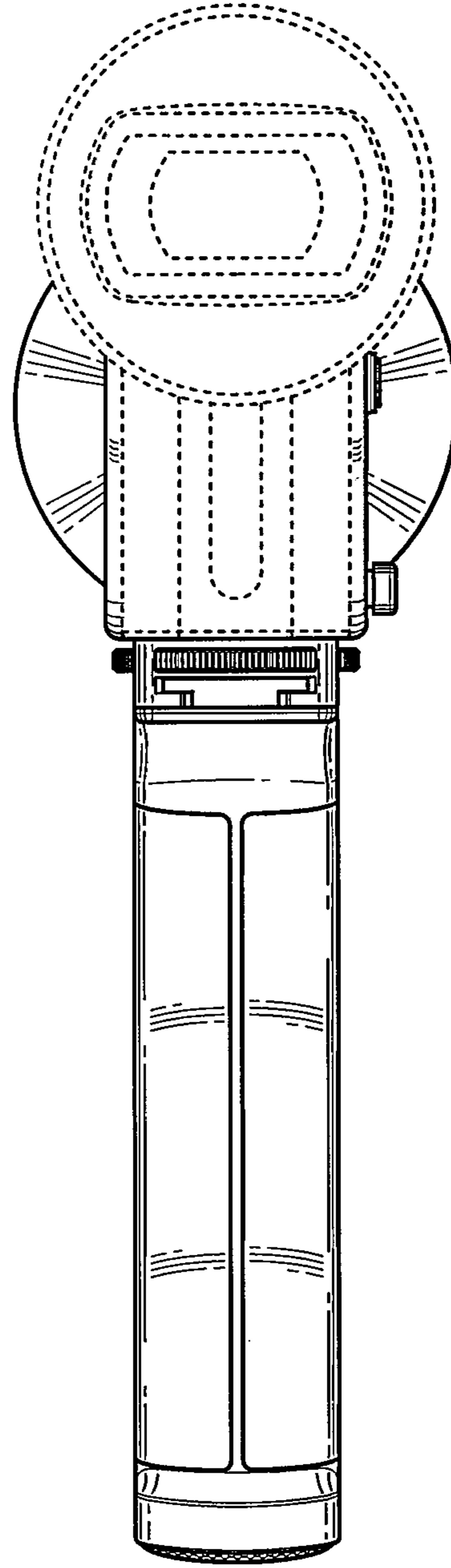


FIG. 3

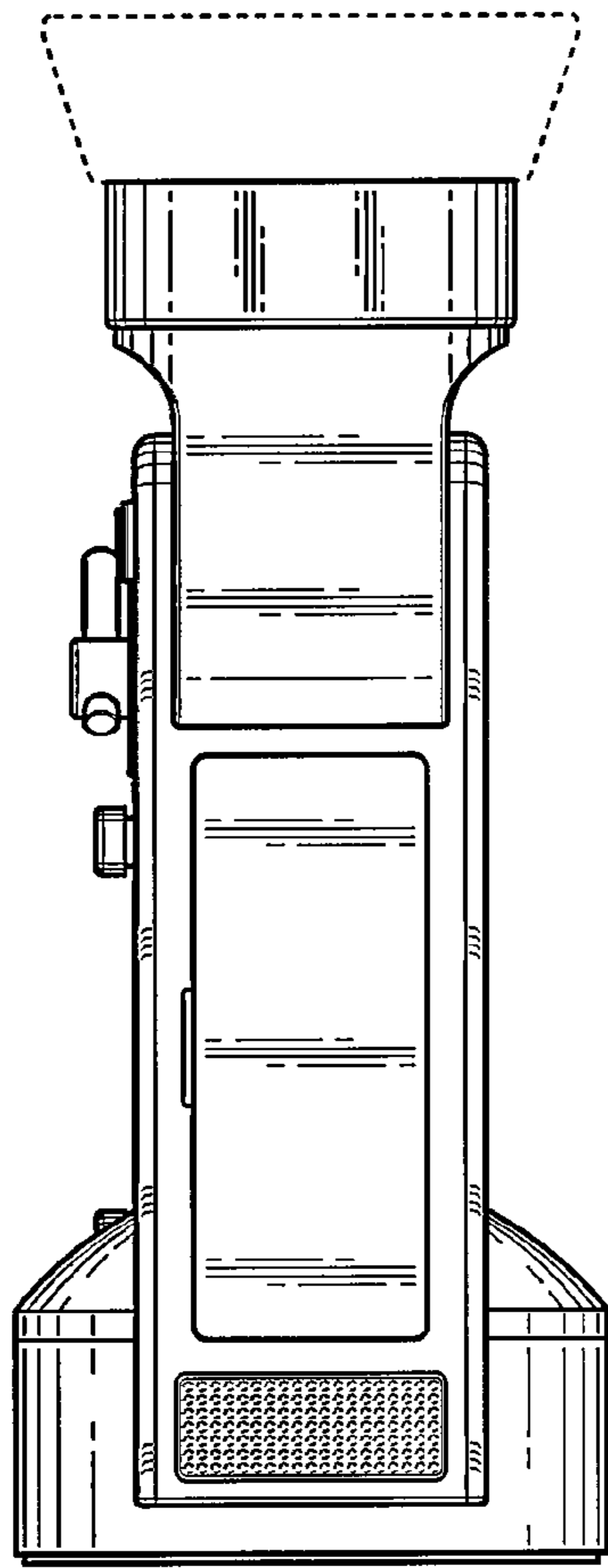


FIG. 4

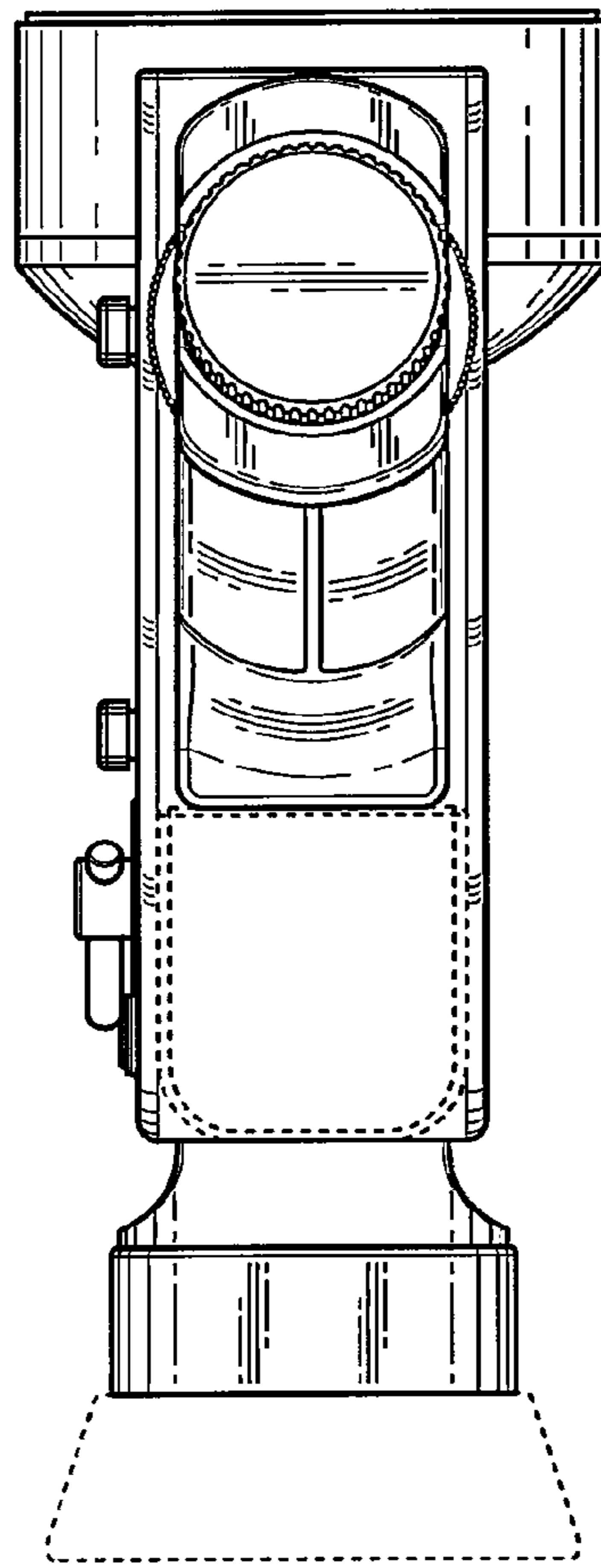


FIG. 5

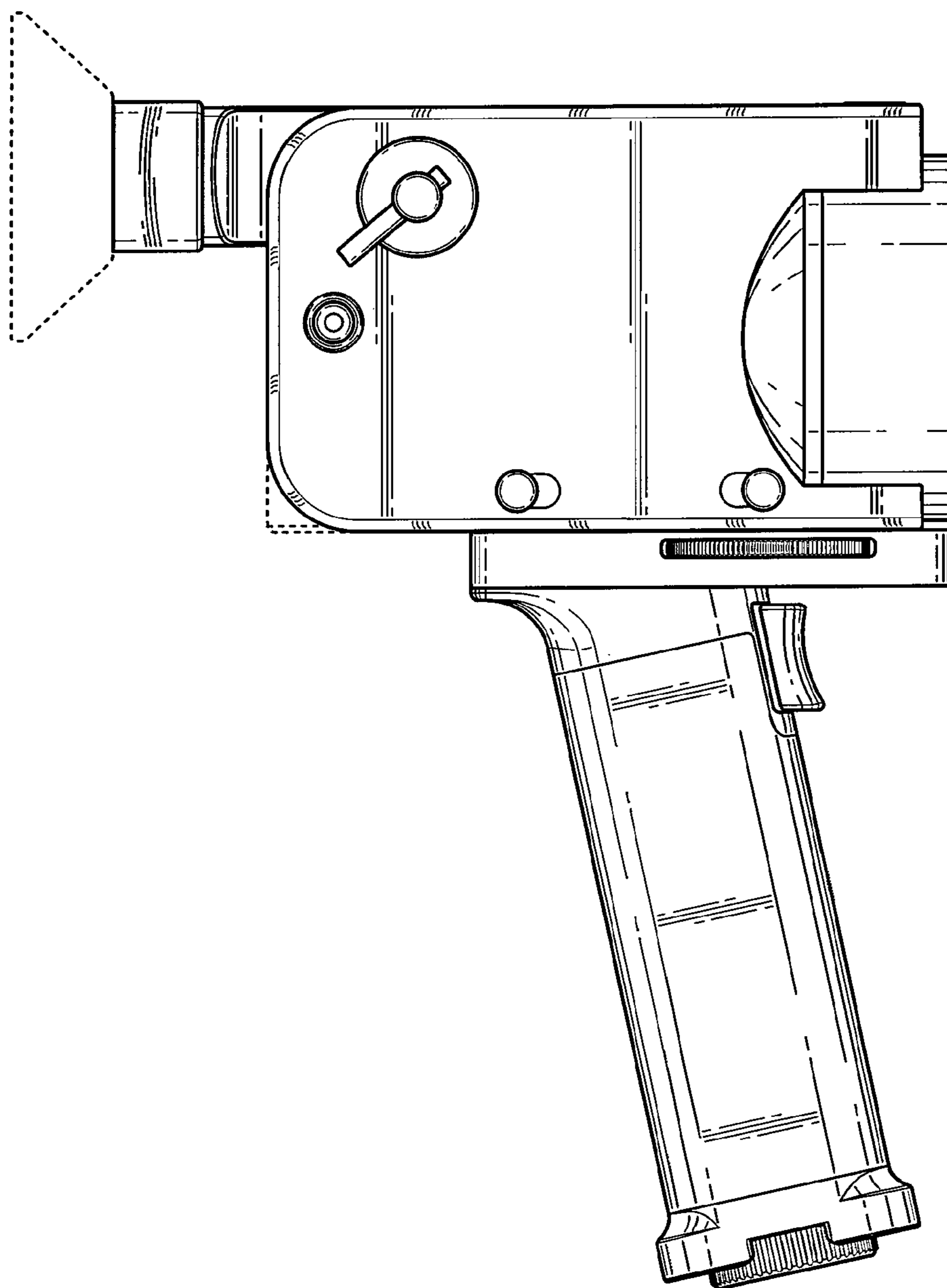


FIG. 6

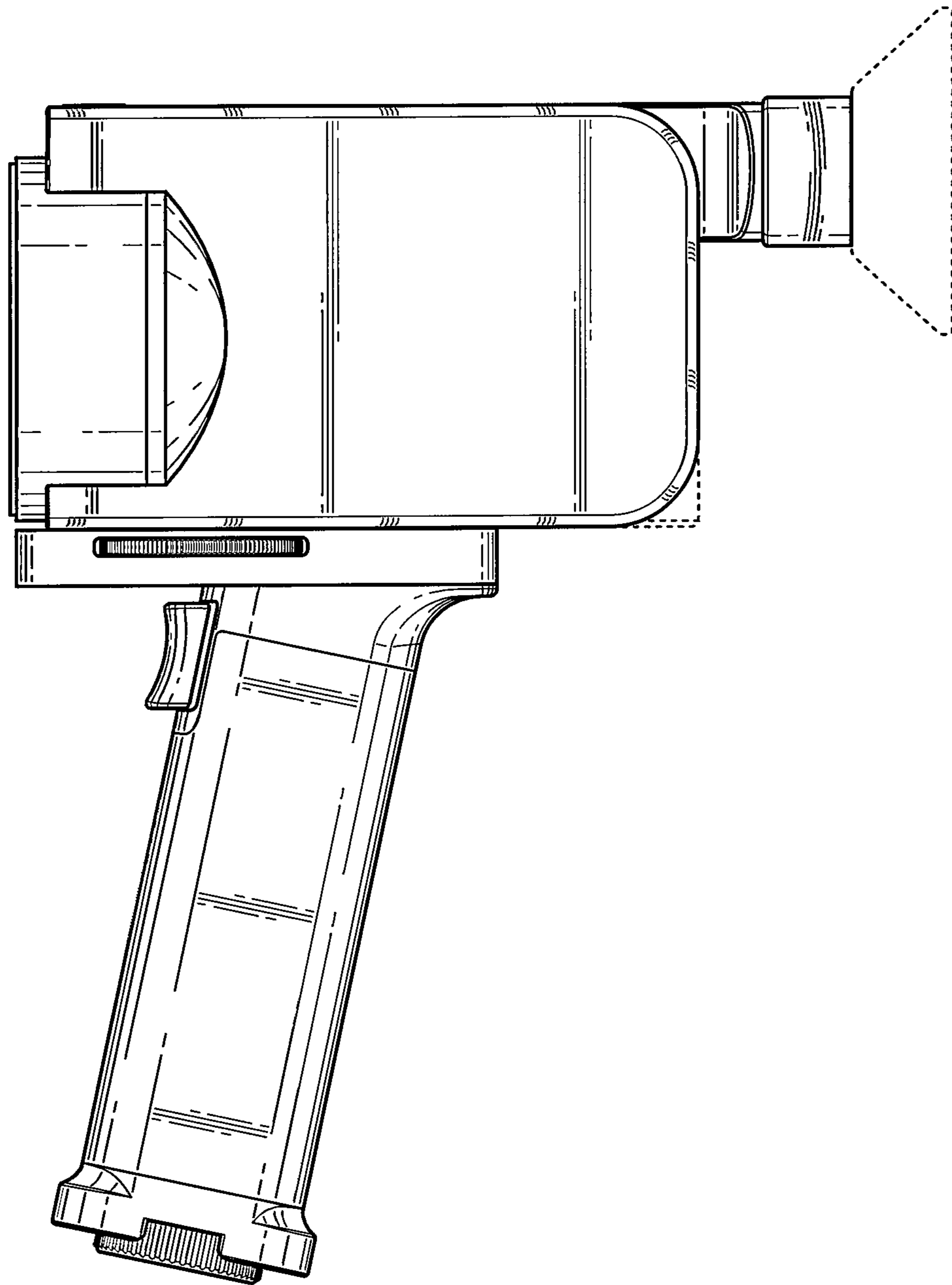


FIG. 7