

US00D707743S

(12) **United States Design Patent**
Nakashima

(10) **Patent No.:** **US D707,743 S**
(45) **Date of Patent:** **** Jun. 24, 2014**

(54) **VIDEO CAMERA**

(71) Applicant: **Panasonic Corporation**, Kadoma (JP)

(72) Inventor: **Toshihiro Nakashima**, Fukuoka (JP)

(73) Assignee: **Panasonic Corporation**, Osaka (JP)

(**) Term: **14 Years**

(21) Appl. No.: **29/451,039**

(22) Filed: **Mar. 27, 2013**

(51) **LOC (10) Cl.** **16-01**

(52) **U.S. Cl.**
USPC **D16/202**

(58) **Field of Classification Search**
CPC G03B 15/03; G03B 17/02; G03B 17/04;
G03B 17/56; G03B 19/04; H04N 5/2251;
H04N 5/2252; H04N 5/2253; H04N 5/2254;
H04N 2101/00
USPC D16/200, 202–206, 208, 218, 219, 242;
348/143, 148, 151, 373–376; 396/419,
396/427, 428, 535, 539–541
See application file for complete search history.

(56) **References Cited**

U.S. PATENT DOCUMENTS

D312,649 S * 12/1990 Sakuta D16/203
D472,259 S * 3/2003 Rupe D16/202
D472,913 S 4/2003 Rupe
D522,035 S 5/2006 Muto
D528,144 S 9/2006 Takemasa
D563,448 S * 3/2008 Yamakawa et al. D16/202

D565,073 S 3/2008 Jeon
7,572,074 B2 * 8/2009 Teratani 396/428
D612,408 S * 3/2010 Yamakawa D16/203
D643,454 S * 8/2011 Zaliauskas et al. D16/203
D647,935 S * 11/2011 Raken et al. D16/202
D657,409 S * 4/2012 Miyashita D16/203
D668,282 S * 10/2012 Ohno et al. D16/203
D674,832 S * 1/2013 Zhang D16/202
D686,267 S * 7/2013 Mihara et al. D16/202
2010/0013922 A1 * 1/2010 Cheng 348/143

* cited by examiner

Primary Examiner — Adir Aronovich

Assistant Examiner — Ramzi Almatrahi

(74) *Attorney, Agent, or Firm* — Brinks Gilson & Lione

(57) **CLAIM**

I claim the ornamental design for a video camera, as shown and described.

DESCRIPTION

FIG. 1 is a top perspective view of a video camera of the present invention;
FIG. 2 is a rear perspective view thereof;
FIG. 3 is a front view thereof;
FIG. 4 is a rear view thereof;
FIG. 5 is a top view thereof;
FIG. 6 is a bottom view thereof;
FIG. 7 is a left side view thereof; and,
FIG. 8 is a right side view thereof.

The broken line portions of the design embodied in the video camera are shown for illustration only and form no part of the claimed design. Additionally, the dash-dot lines denote the boundary of the claim and form no part of the claimed design.

1 Claim, 8 Drawing Sheets

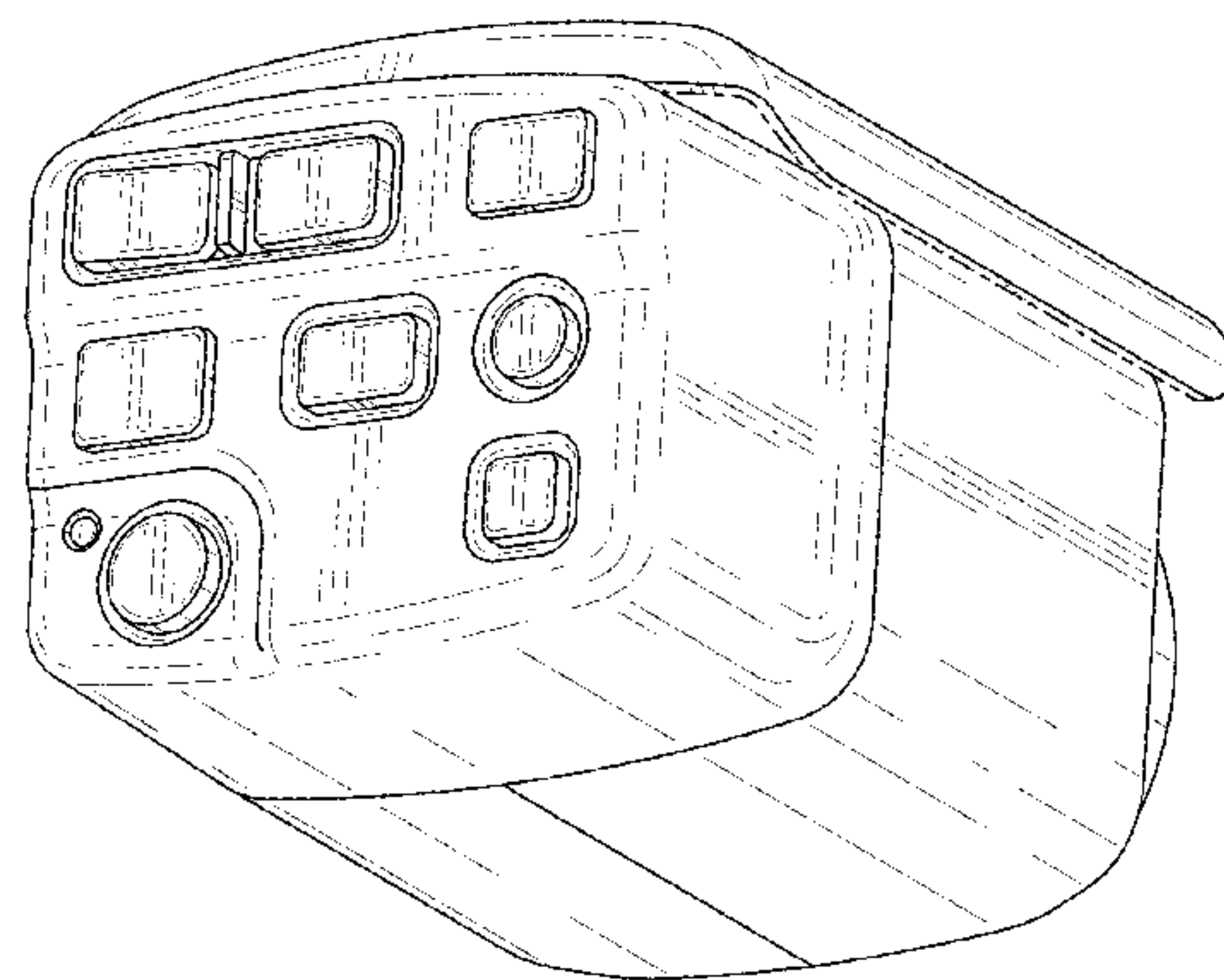
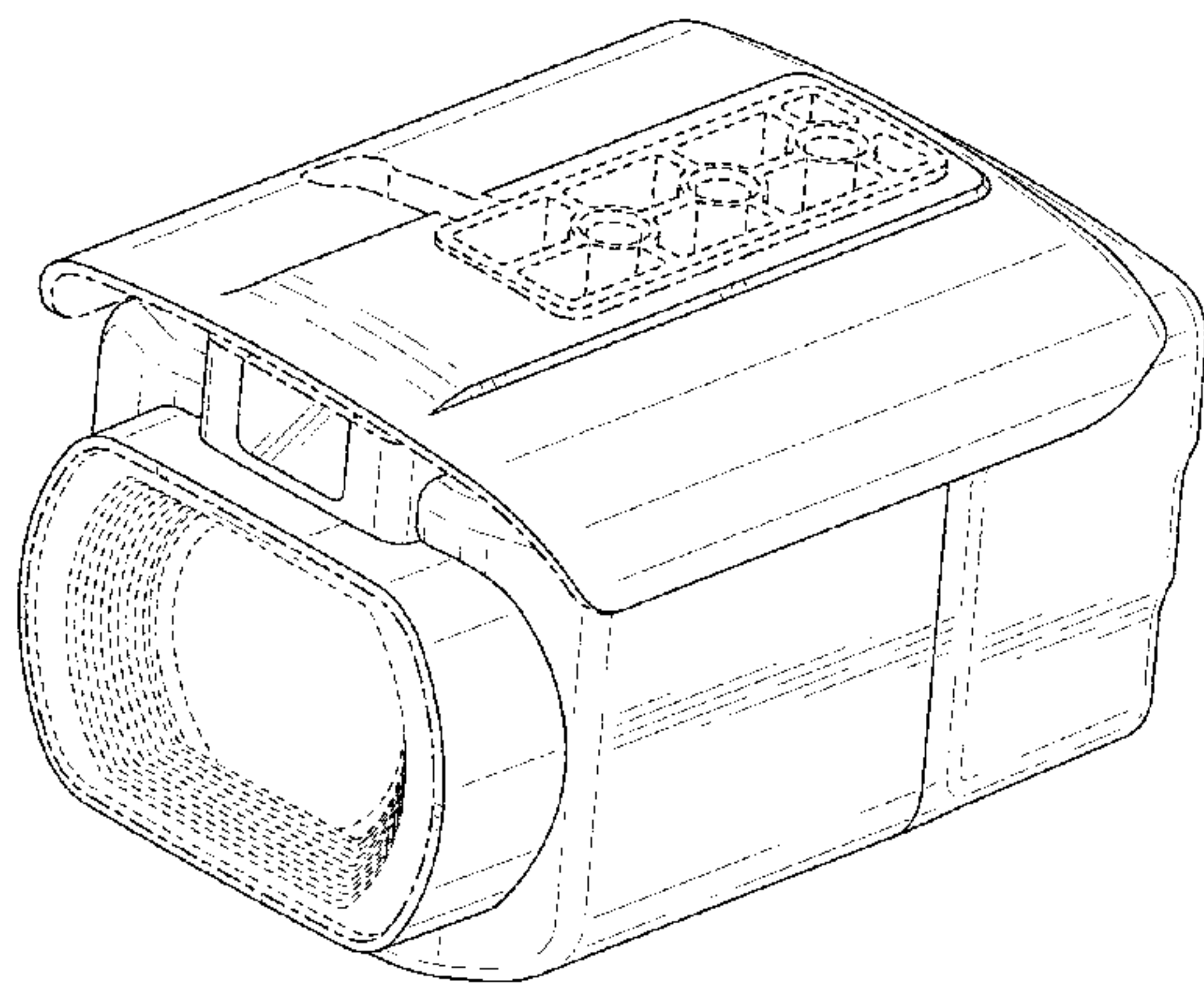


FIG. 1

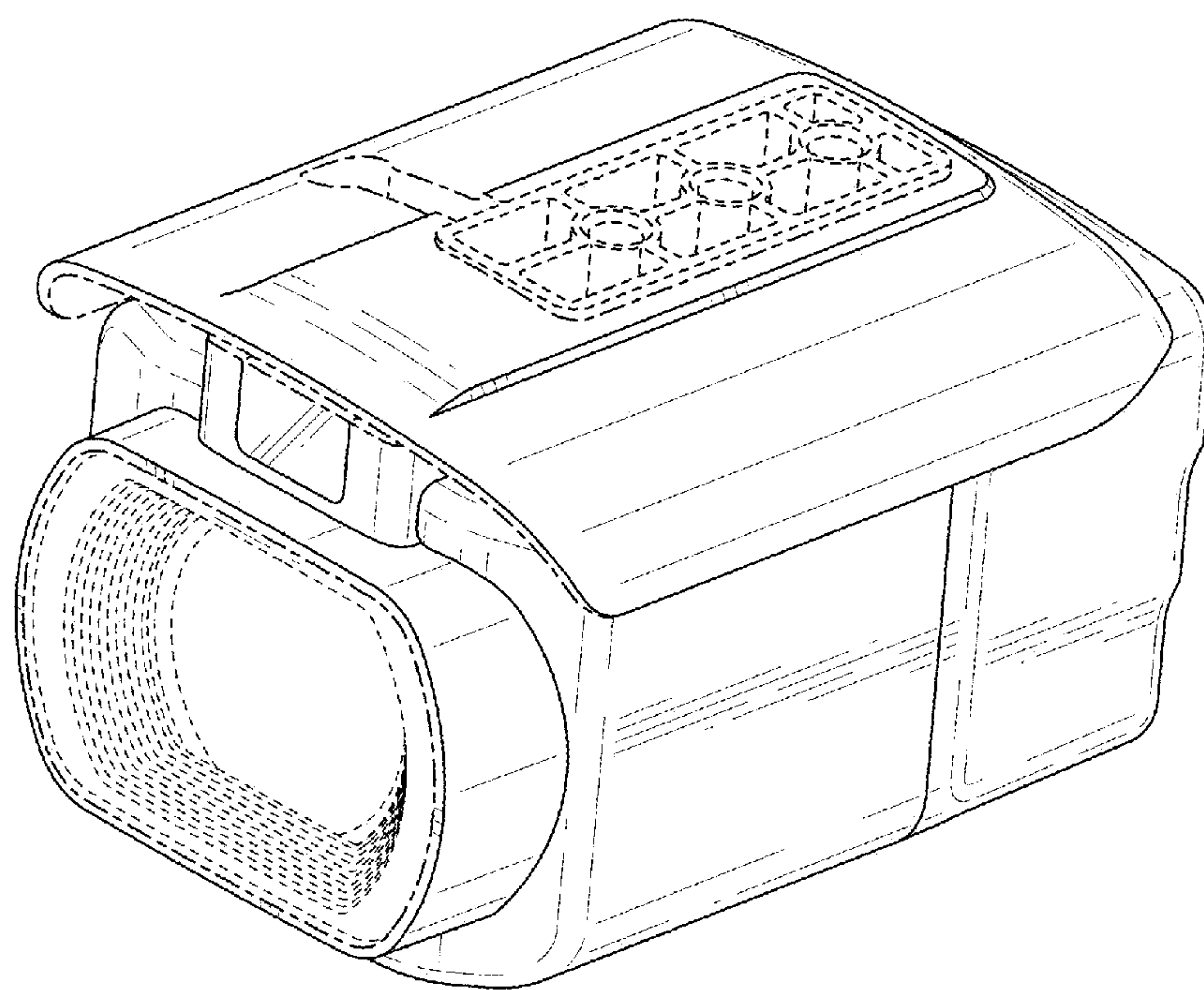


FIG 2.

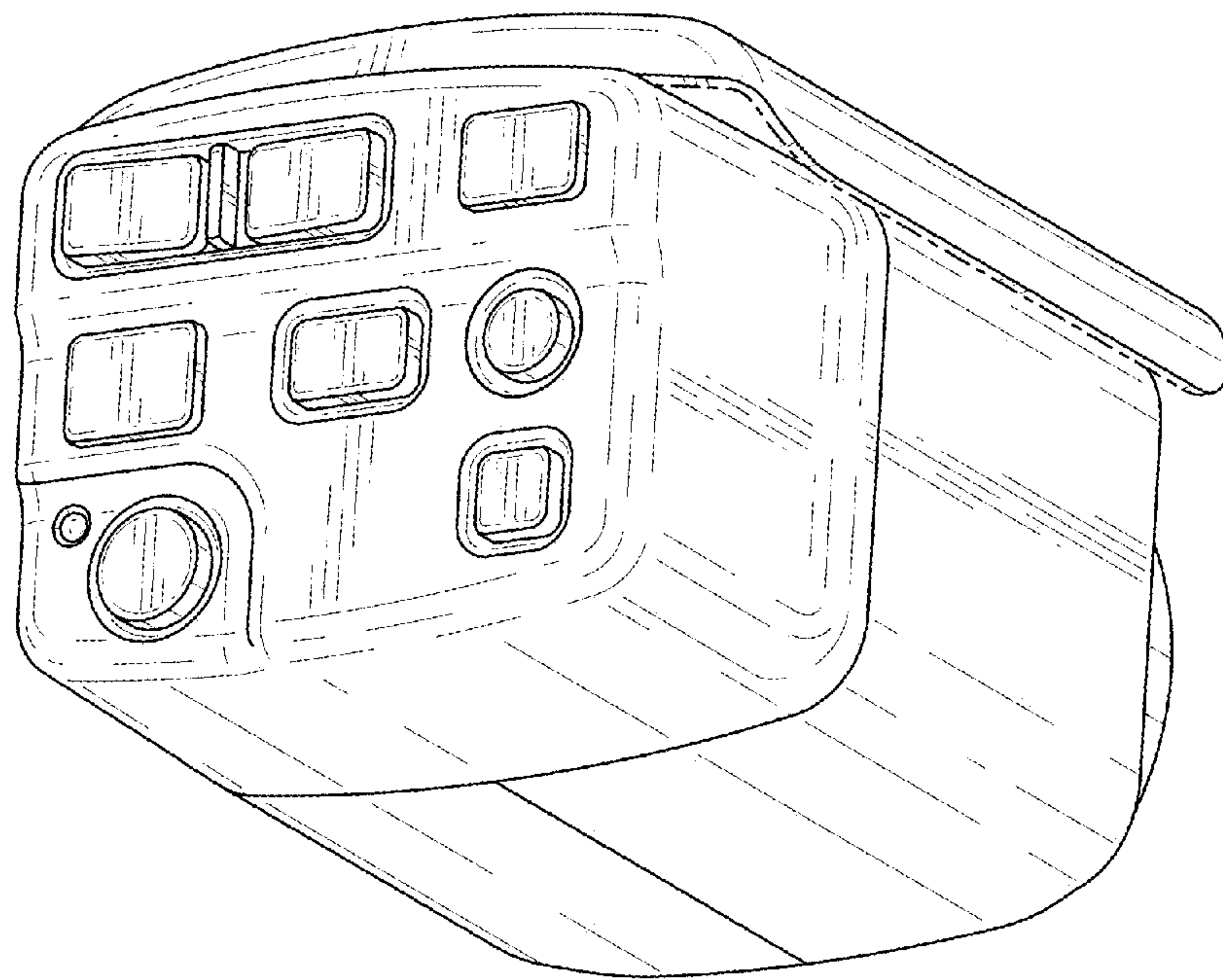


FIG. 3

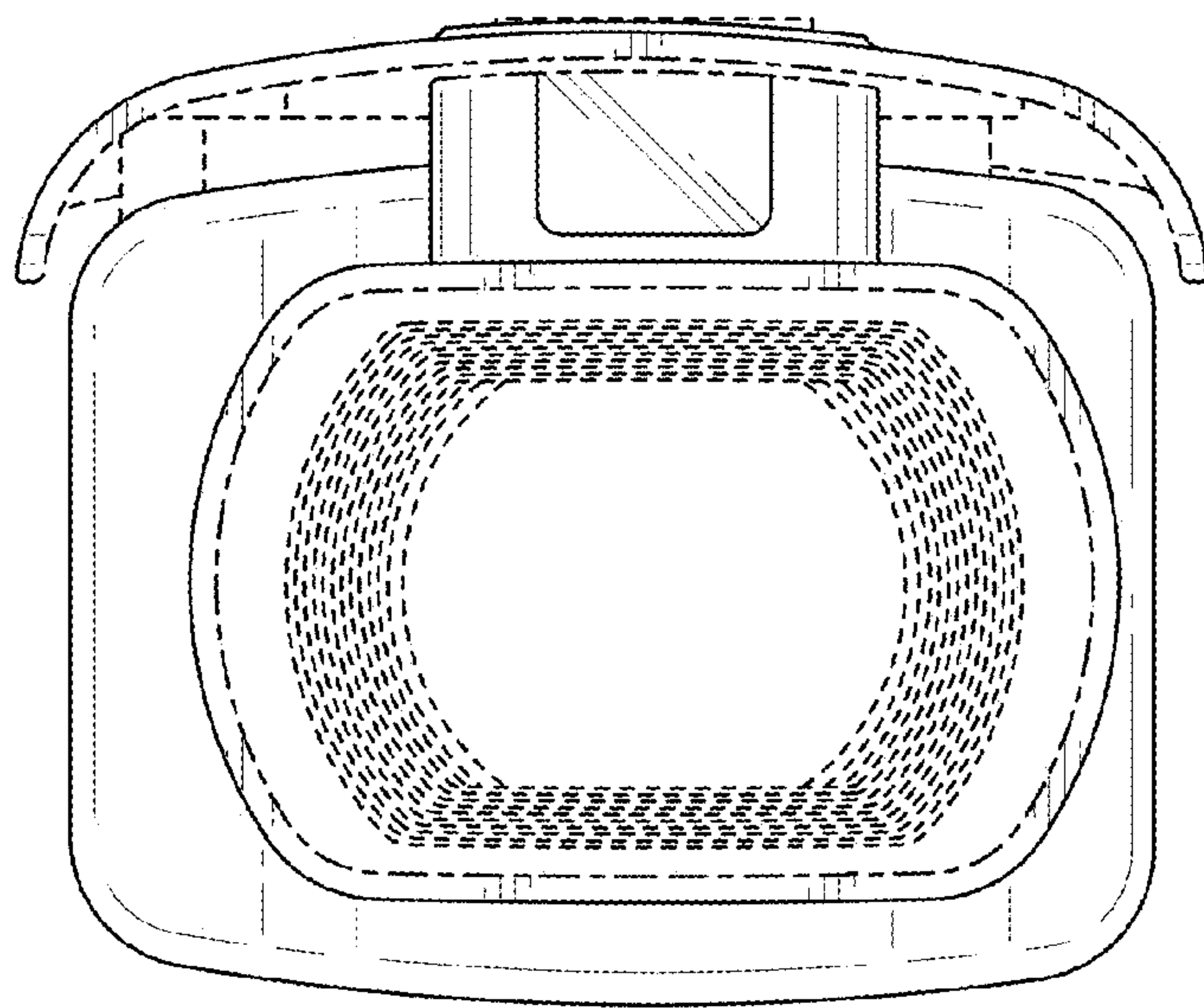


FIG. 4

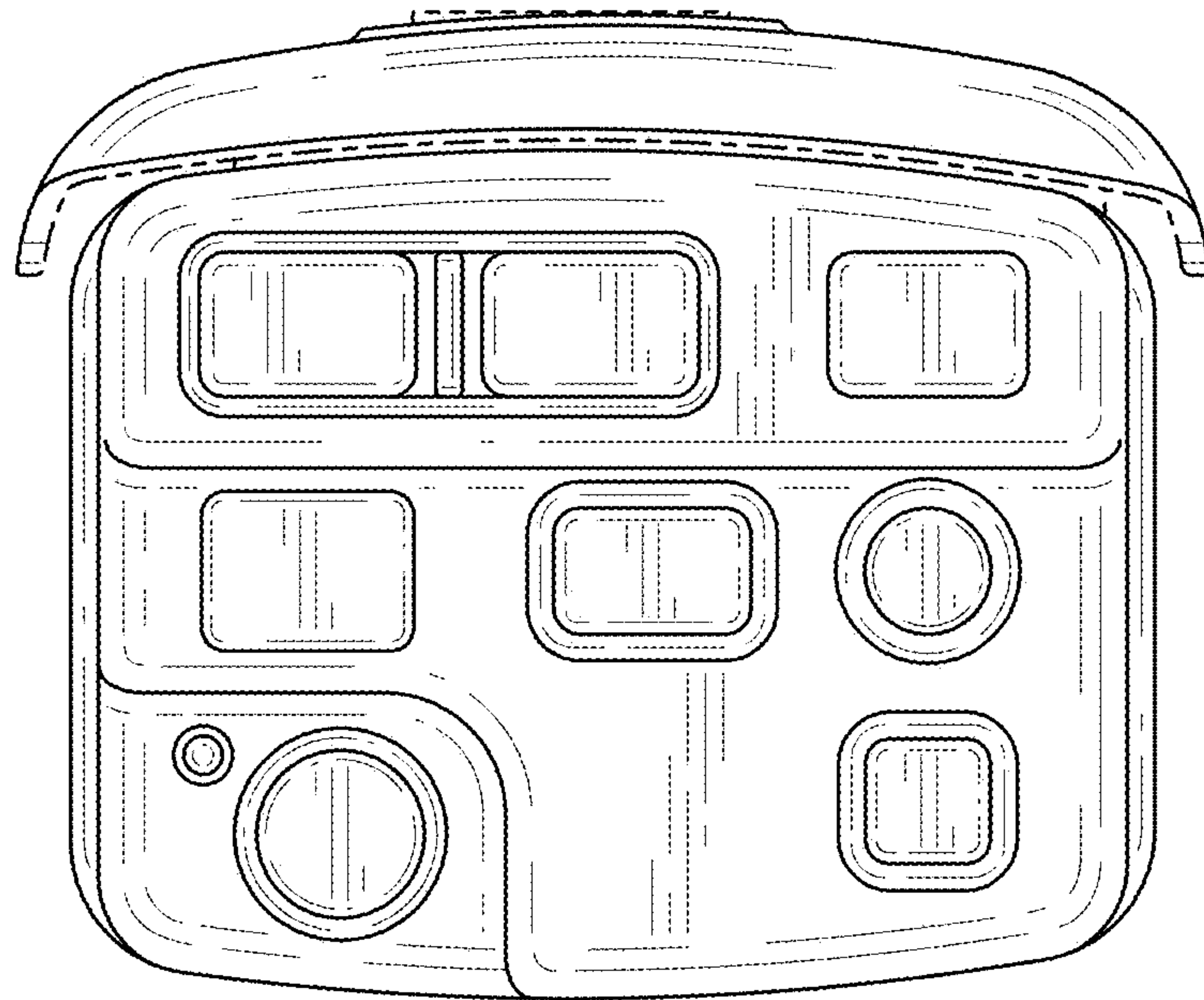


FIG. 5

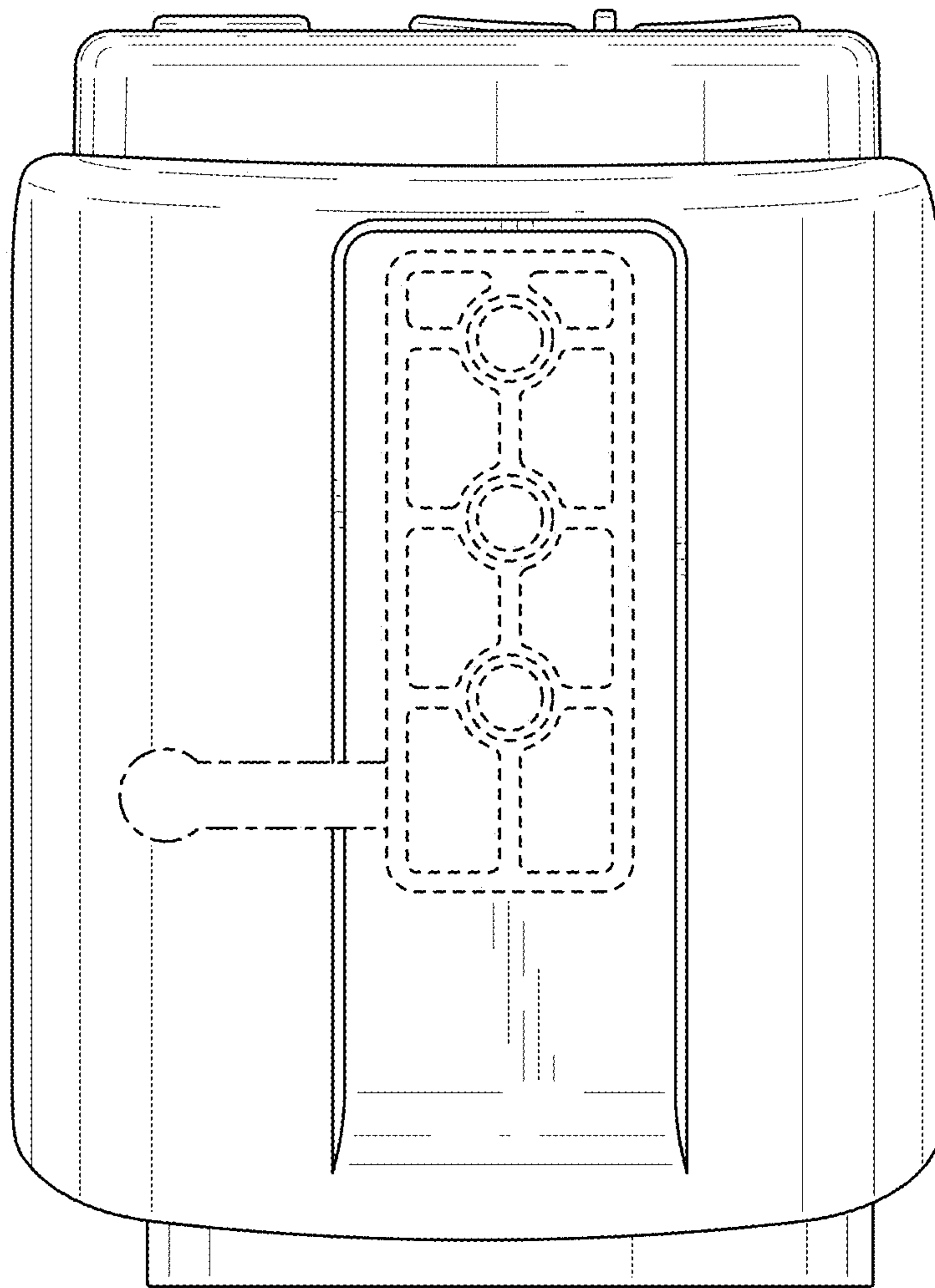


FIG. 6

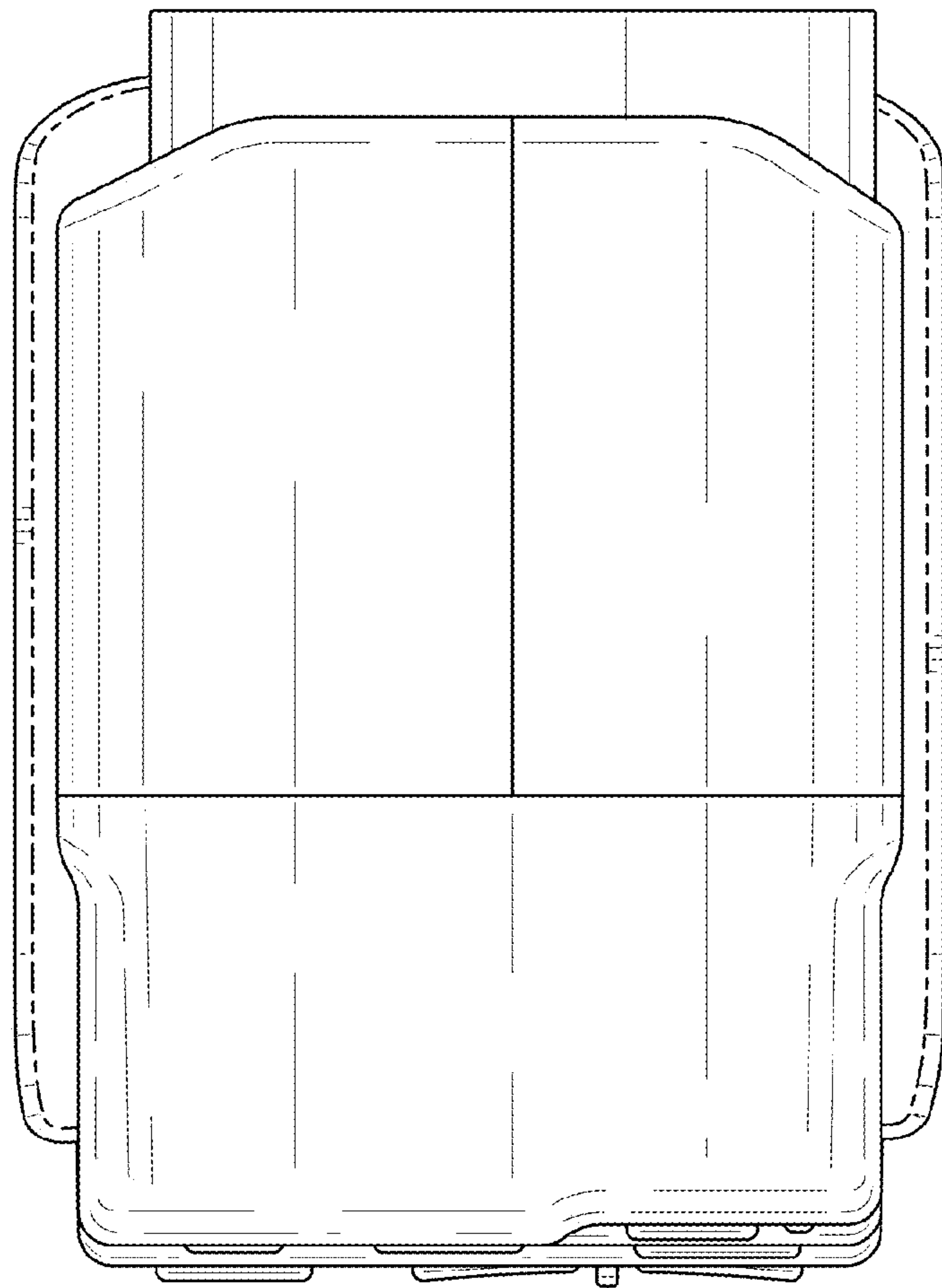


FIG. 7

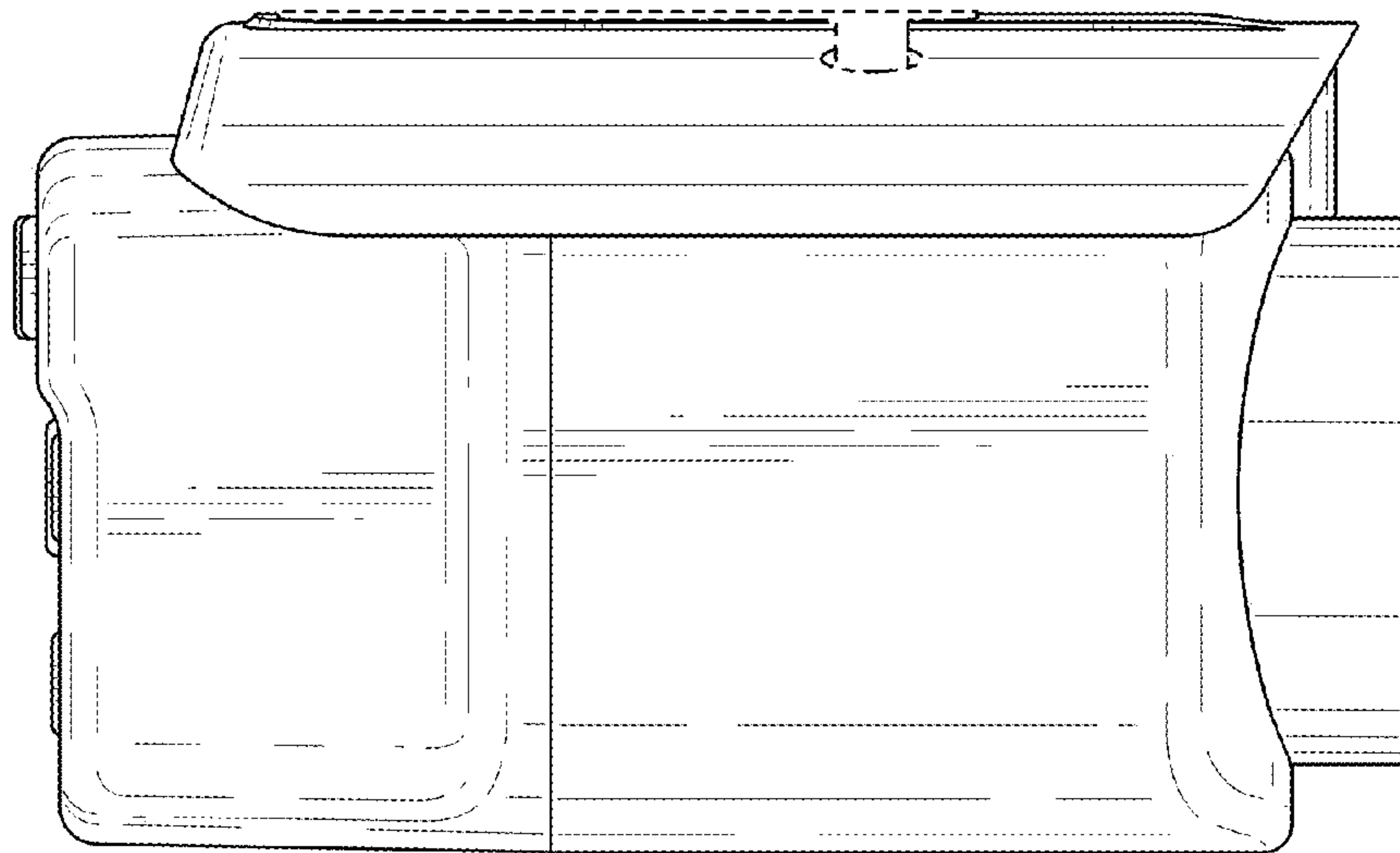


FIG. 8

