



US00D707742S

(12) **United States Design Patent**
Imamizu

(10) **Patent No.:** **US D707,742 S**
(45) **Date of Patent:** **** Jun. 24, 2014**

(54) **DIGITAL CAMERA WITH INFORMATION
TERMINAL DEVICE**

(71) Applicant: **Nikon Corporation**, Tokyo (JP)
(72) Inventor: **Makoto Imamizu**, Yokohama (JP)
(73) Assignee: **Nikon Corporation**, Tokyo (JP)

(**) Term: **14 Years**

(21) Appl. No.: **29/445,789**

(22) Filed: **Feb. 15, 2013**

(30) **Foreign Application Priority Data**

Aug. 21, 2012 (JP) 2012-019942

(51) **LOC (10) Cl.** **16-01**

(52) **U.S. Cl.**
USPC **D16/202**

(58) **Field of Classification Search**
USPC D16/202, 204, 208, 218; 348/373-376;
358/909.1; 396/535, 540, 541, 543

See application file for complete search history.

(56) **References Cited**

U.S. PATENT DOCUMENTS

D571,841 S *	6/2008	Rubner	D16/202
D576,650 S *	9/2008	Shibata et al.	D16/202
7,929,859 B2 *	4/2011	Saiki	396/543
8,014,667 B2 *	9/2011	Saiki	396/535
D650,409 S *	12/2011	Lee	D16/202
D695,805 S *	12/2013	Sakai	D16/202

* cited by examiner

Primary Examiner — Adir Aronovich

(74) *Attorney, Agent, or Firm* — Wolf, Greenfield & Sacks, P.C.; Randy J. Pritzker

(57) **CLAIM**

The ornamental design for a digital camera with information terminal device, as shown and described.

DESCRIPTION

FIG. 1 is a top, front and right side perspective view of a digital camera with information terminal device showing my new design;

FIG. 2 is a top, rear and left side perspective view thereof;

FIG. 3 is a front elevational view thereof;

FIG. 4 is a rear elevational view thereof;

FIG. 5 is a top plan view thereof;

FIG. 6 is a bottom plan view thereof;

FIG. 7 is a right side elevational view; and,

FIG. 8 is a left side elevational view.

1 Claim, 8 Drawing Sheets

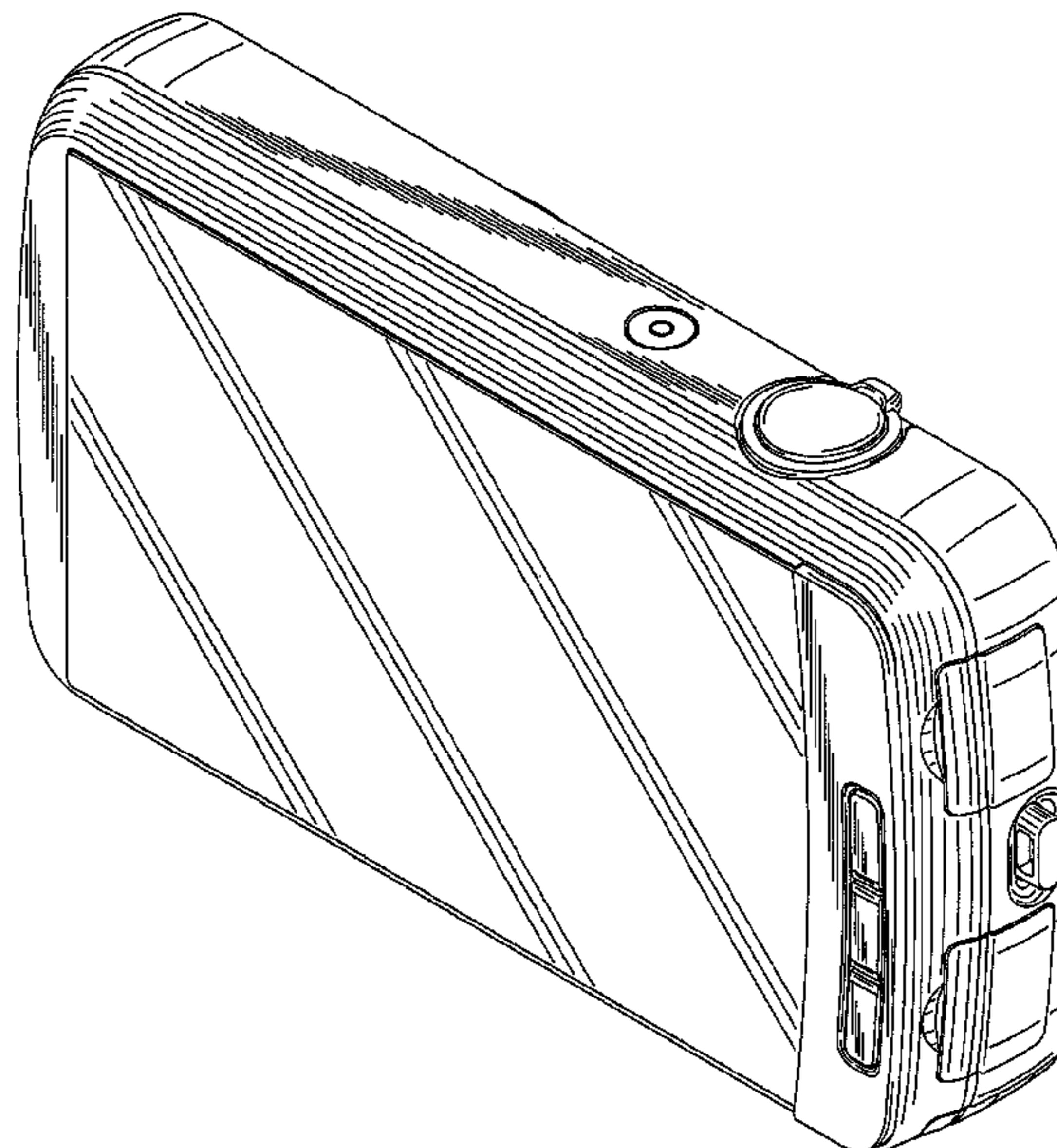
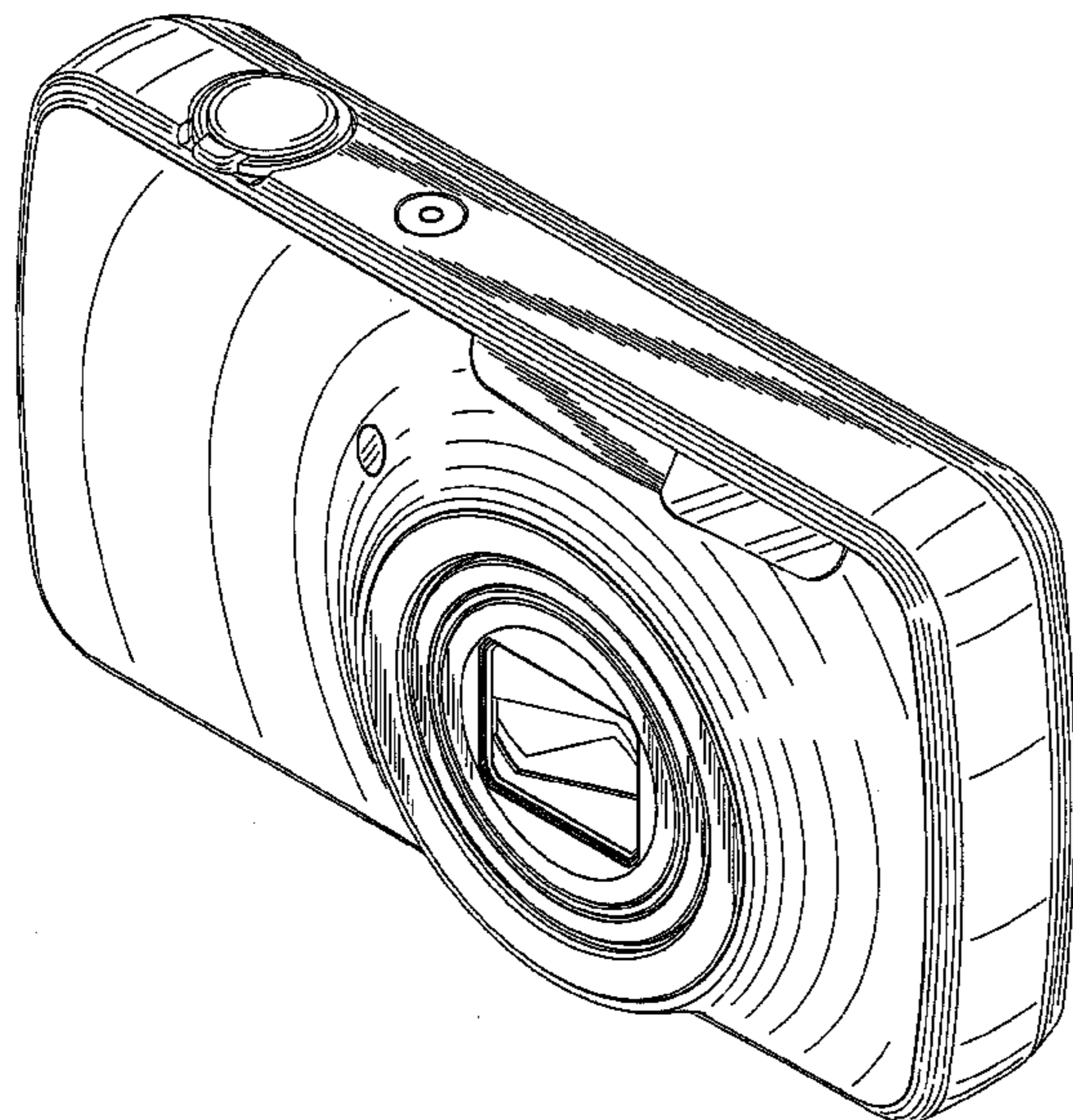


FIG. 1

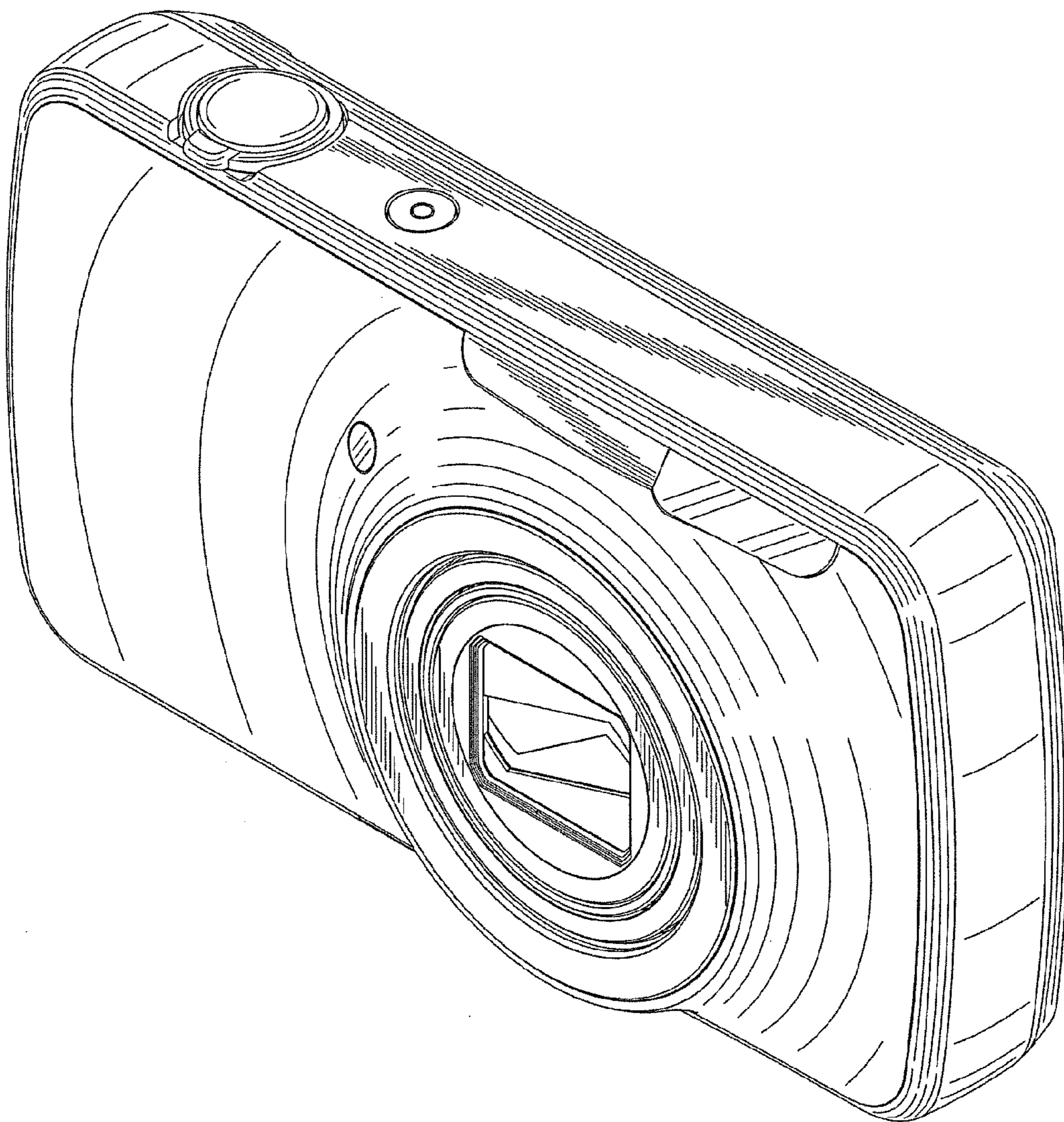


FIG. 2

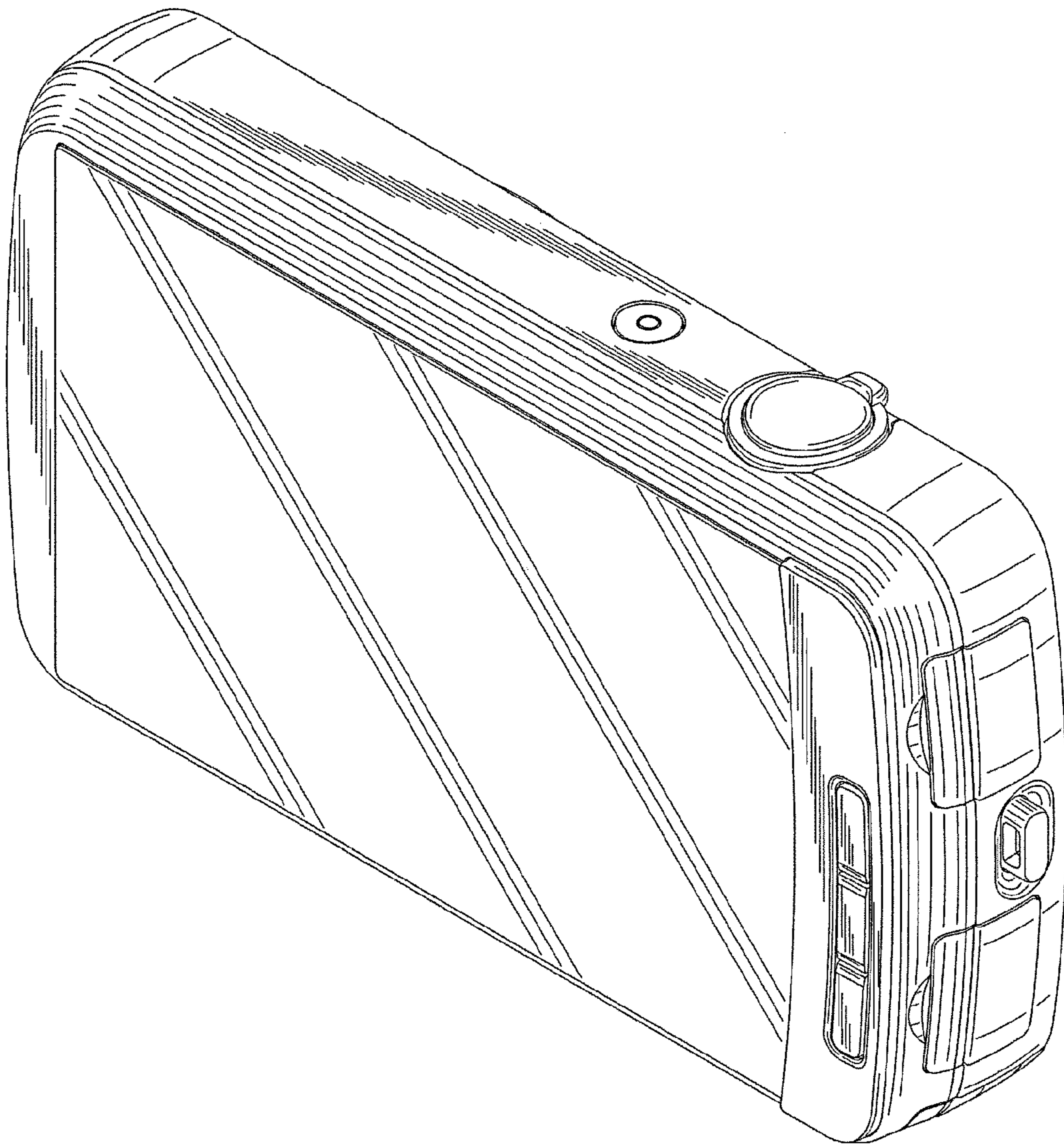


FIG. 3

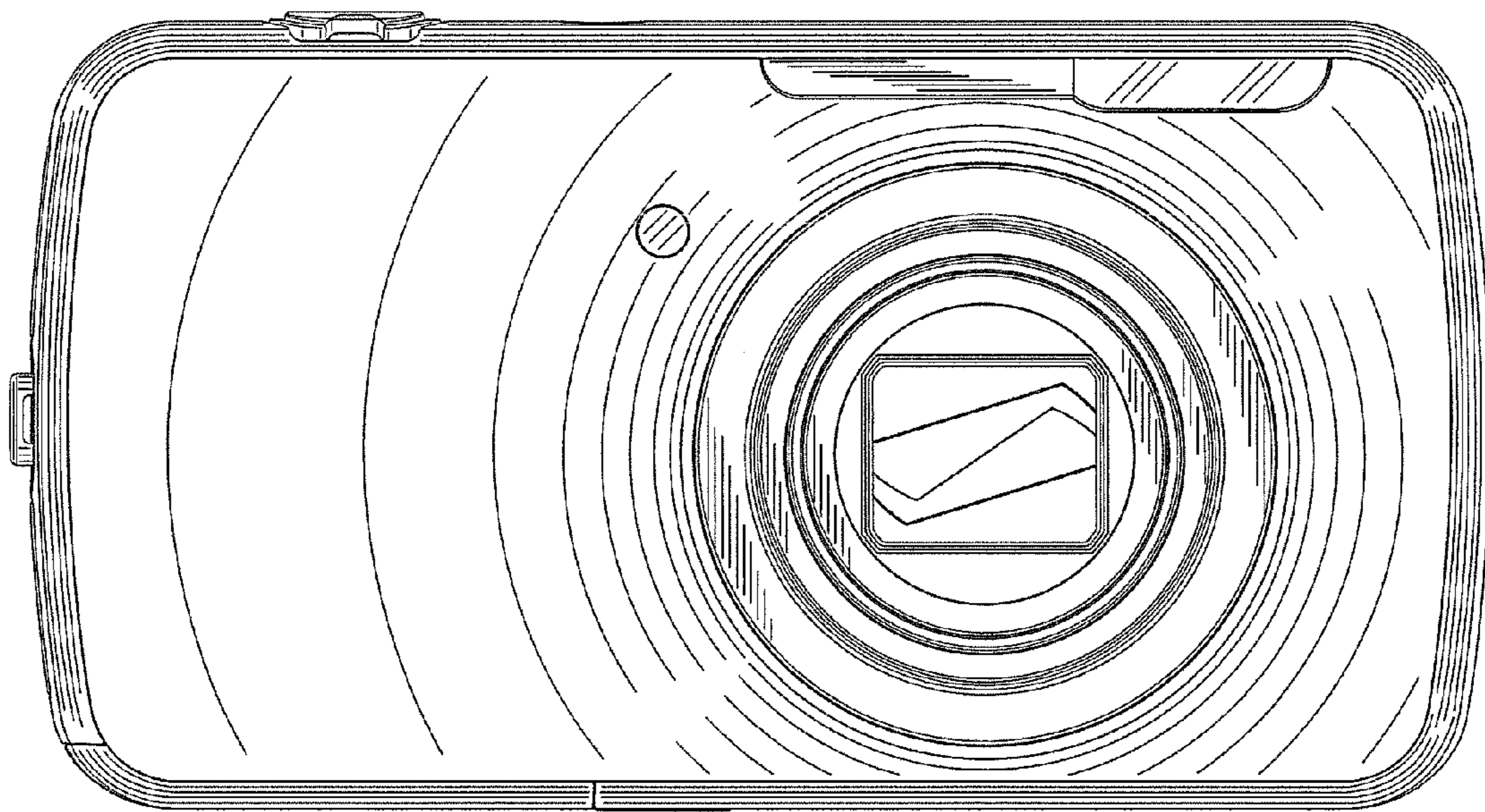


FIG. 4

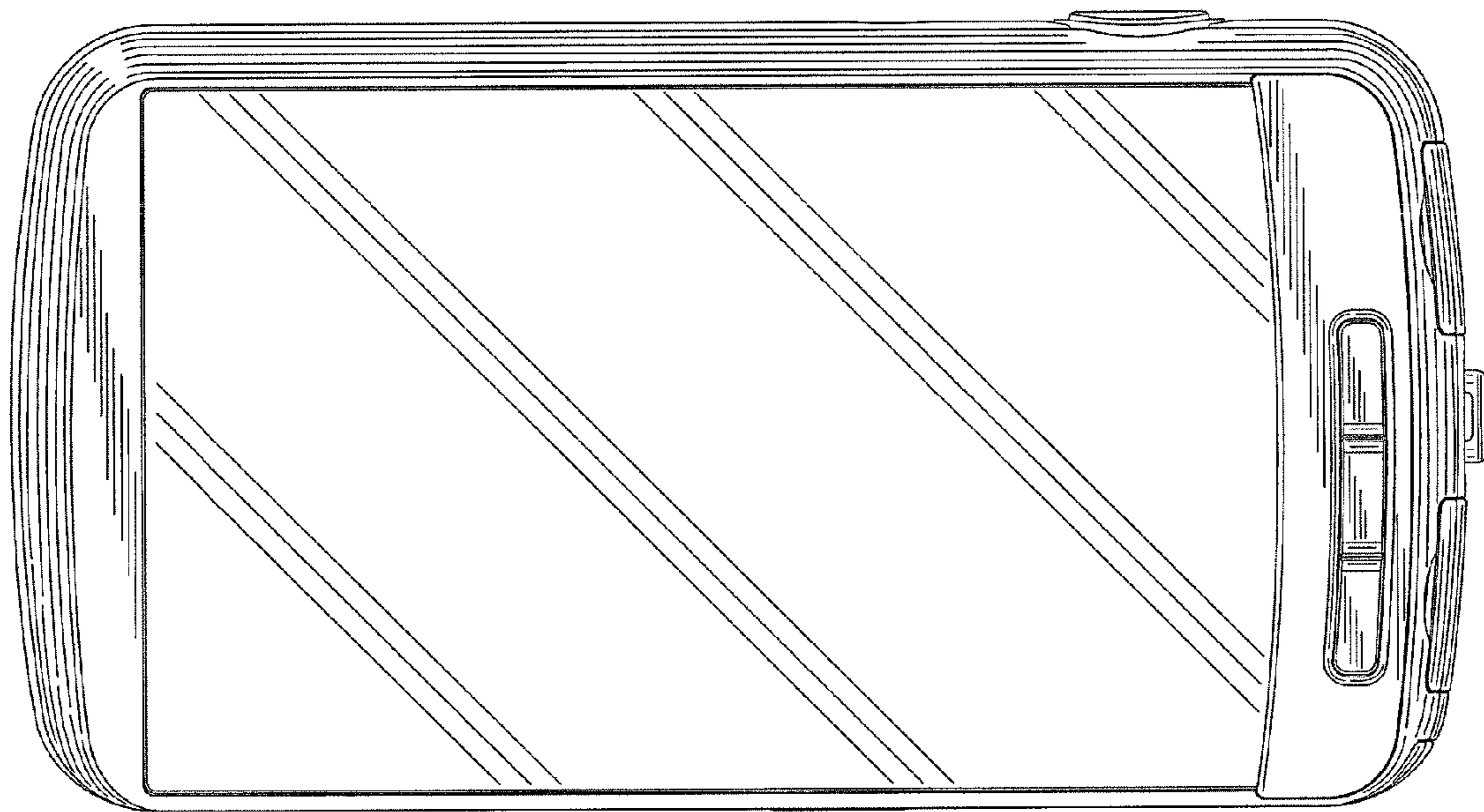


FIG. 5

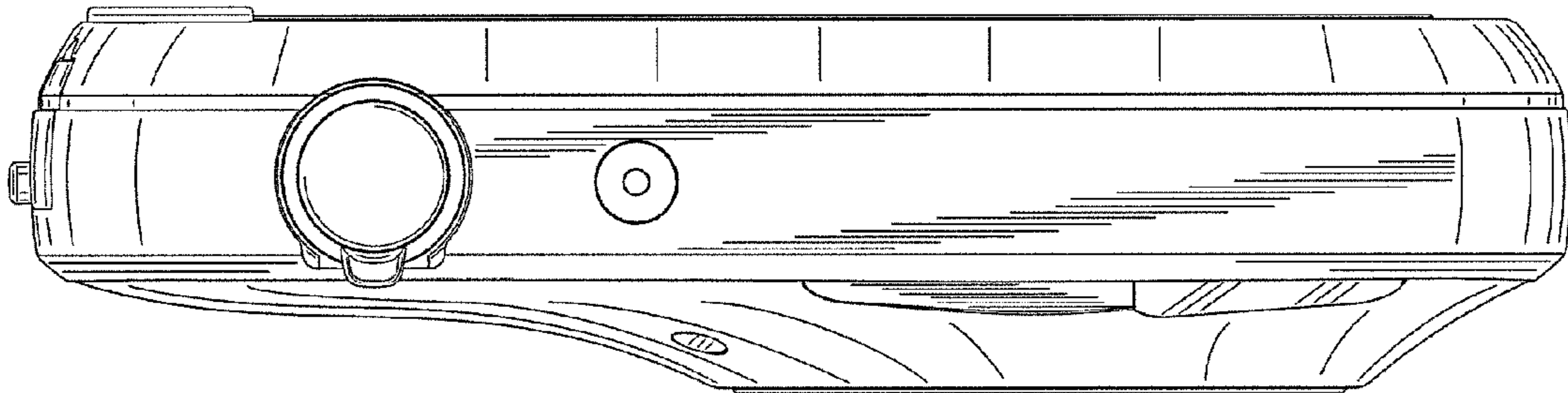


FIG. 6

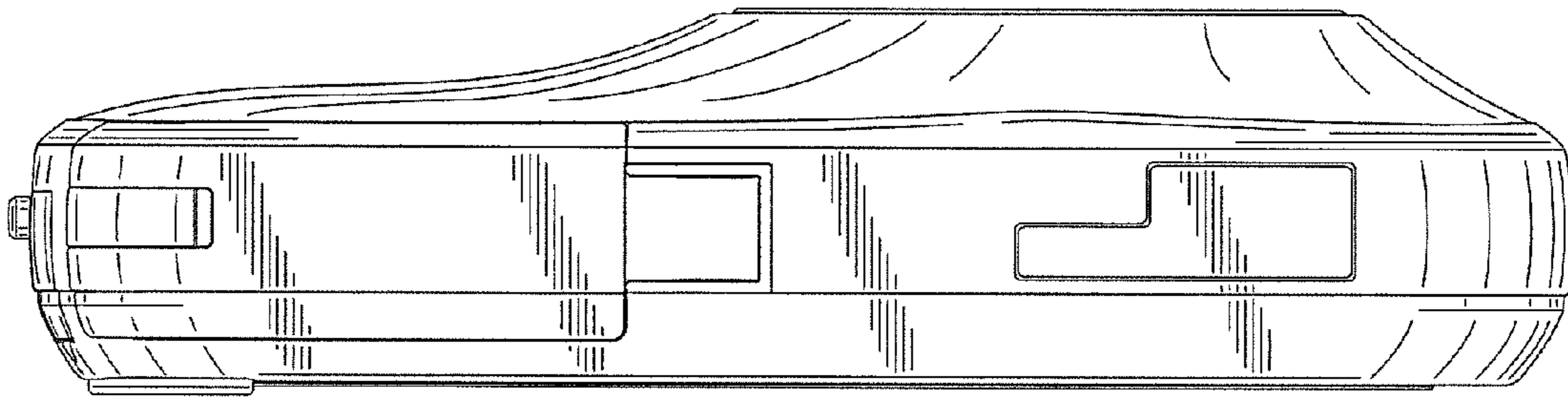


FIG. 7

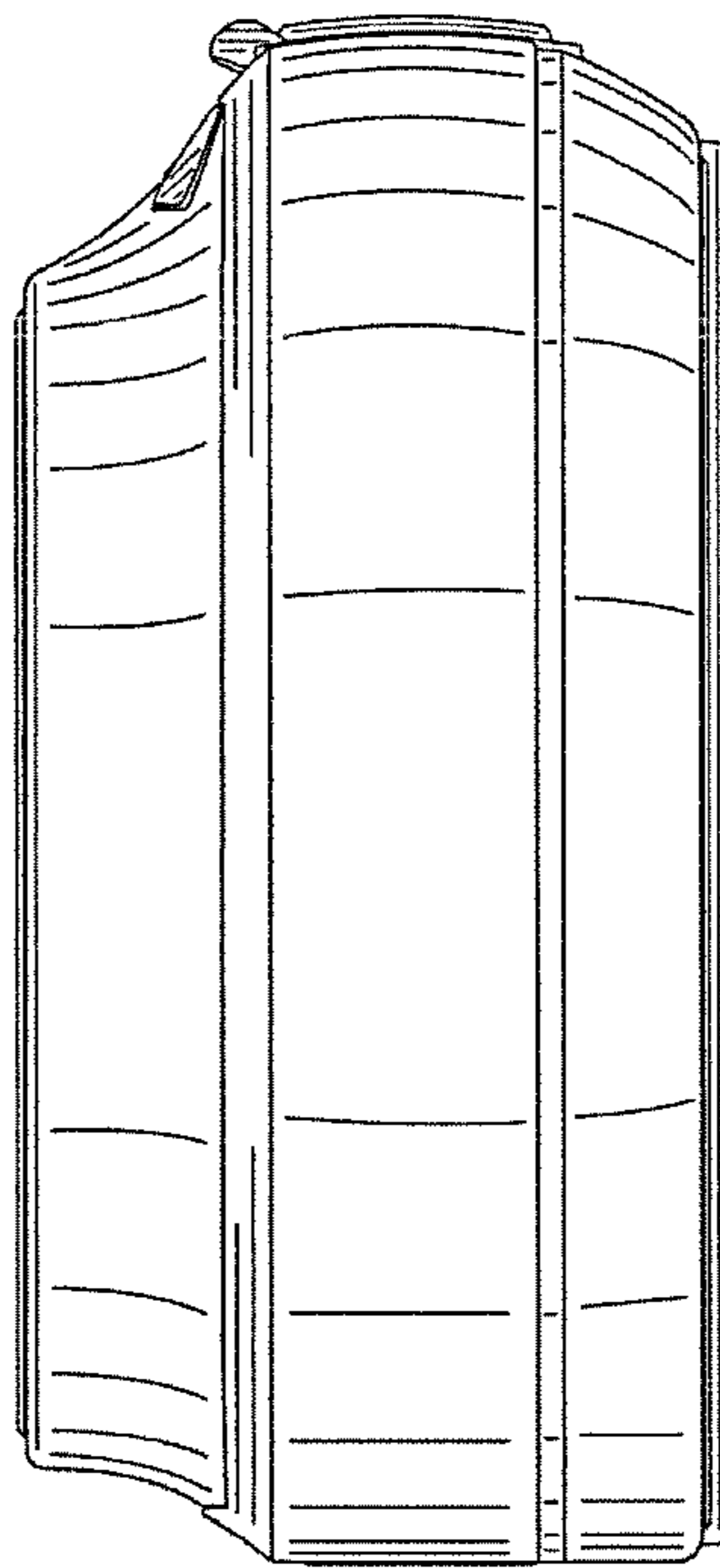


FIG. 8

