



US00D707741S

(12) **United States Design Patent**  
**Tysso**

(10) **Patent No.:** **US D707,741 S**  
(45) **Date of Patent:** **\*\* Jun. 24, 2014**

(54) **SET TOP TELEPRESENCE SYSTEM**

(71) Applicant: **Jorunn Tysso**, Oslo (NO)

(72) Inventor: **Jorunn Tysso**, Oslo (NO)

(73) Assignee: **Cisco Technology, Inc.**, San Jose, CA (US)

(\*\*) Term: **14 Years**

(21) Appl. No.: **29/433,283**

(22) Filed: **Sep. 27, 2012**

(51) **LOC (10) Cl.** ..... **16-01**

(52) **U.S. Cl.**  
USPC ..... **D16/202**

(58) **Field of Classification Search**  
CPC ..... G03B 15/03; G03B 17/02; G03B 17/04;  
G03B 17/56; G03B 19/04; H04N 5/2251;  
H04N 5/2252; H04N 5/2253; H04N 5/2254;  
H04N 2007/145; H04N 7/142; H04N 7/147;  
H04N 7/15; H04N 7/152  
USPC ..... D16/200, 202–204, 208, 211, 218, 219,  
D16/221, 242; D14/125, 129, 239, 299;  
348/14.01–14.16, 373–376; 396/25,  
396/27, 29, 535, 539–541  
See application file for complete search history.

(56) **References Cited**

**U.S. PATENT DOCUMENTS**

D411,848 S \* 7/1999 Maruska et al. .... D16/202  
D467,954 S \* 12/2002 Suzuki et al. .... D16/208

D506,769 S \* 6/2005 Asai ..... D16/203  
D508,064 S \* 8/2005 Ramirez ..... D16/200  
D524,834 S \* 7/2006 Dozier et al. .... D16/200  
D546,365 S \* 7/2007 Jost et al. .... D16/221  
D605,145 S \* 12/2009 Kellar ..... D14/125  
D627,814 S \* 11/2010 Tzeng et al. .... D16/202  
D655,263 S \* 3/2012 Tsai ..... D14/125  
D683,779 S \* 6/2013 Uemachi et al. .... D16/202  
2003/0234888 A1 \* 12/2003 Hong et al. .... 348/375

\* cited by examiner

*Primary Examiner* — Adir Aronovich

*Assistant Examiner* — Ramzi Almatrahi

(74) *Attorney, Agent, or Firm* — Oblon, Spivak,  
McClelland, Maier & Neustadt, L.L.P.

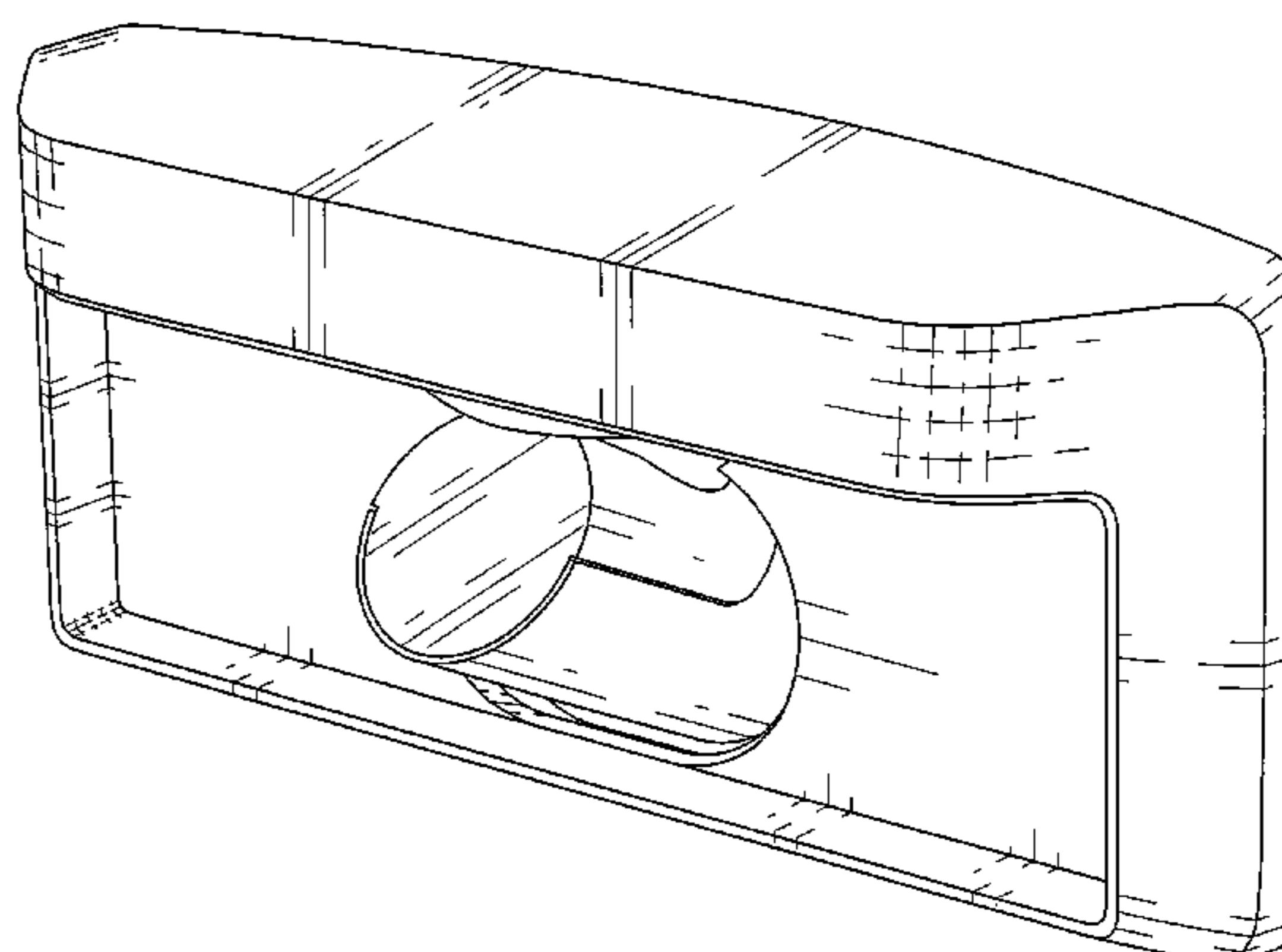
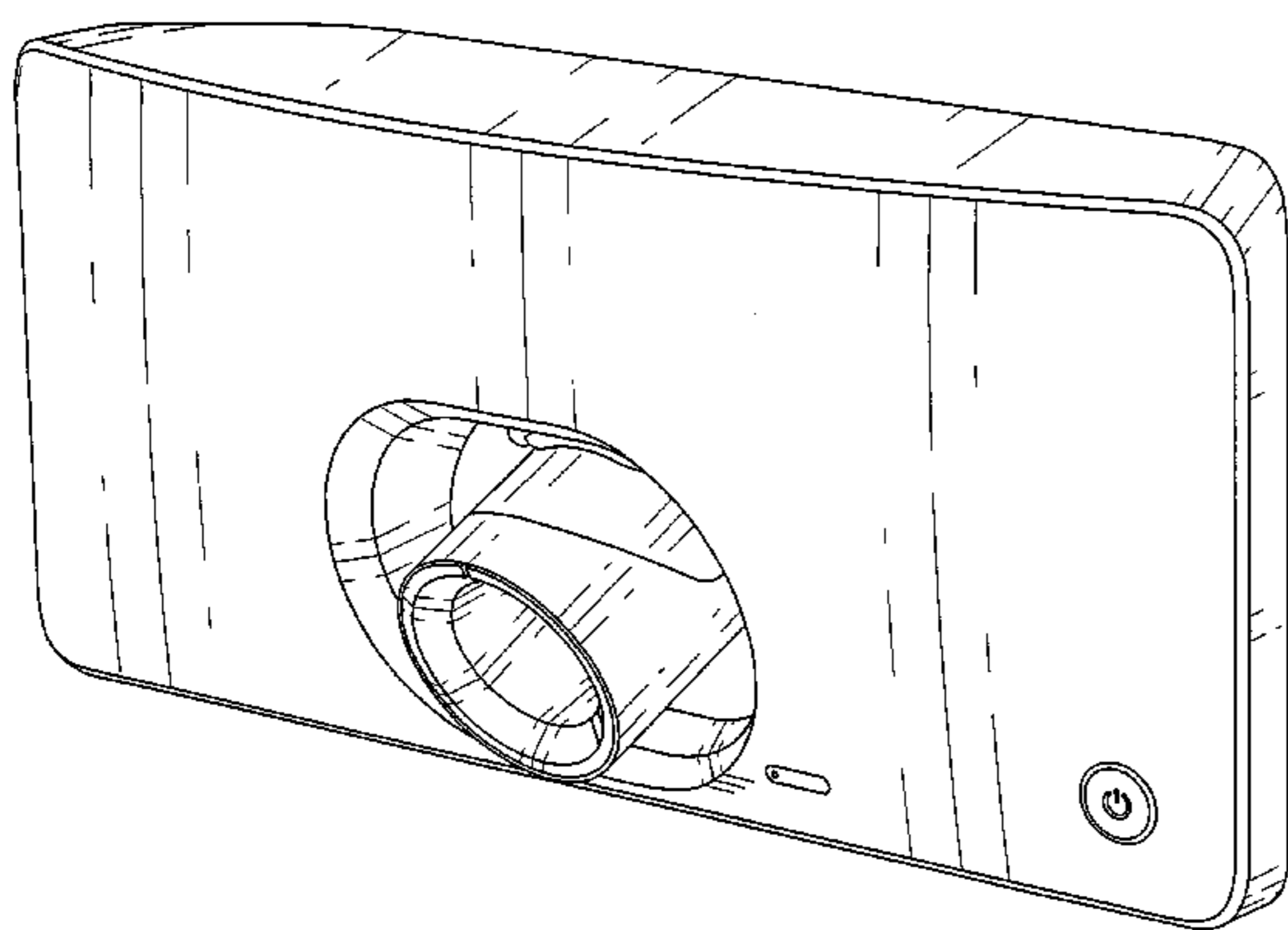
(57) **CLAIM**

The ornamental design for a set top telepresence system, as shown and described.

**DESCRIPTION**

FIG. 1 is a front, top, and right side perspective view of a set top telepresence system;  
FIG. 2 is a rear, top, and left side perspective view thereof;  
FIG. 3 is a front elevational view thereof;  
FIG. 4 is a rear elevational view thereof;  
FIG. 5 is a right side elevational view thereof;  
FIG. 6 is a left side elevational view thereof;  
FIG. 7 is a bottom plan view thereof; and,  
FIG. 8 is a top plan view thereof.  
The broken lines in the drawings depict environmental subject matter only and form no part of the claimed design.

**1 Claim, 7 Drawing Sheets**



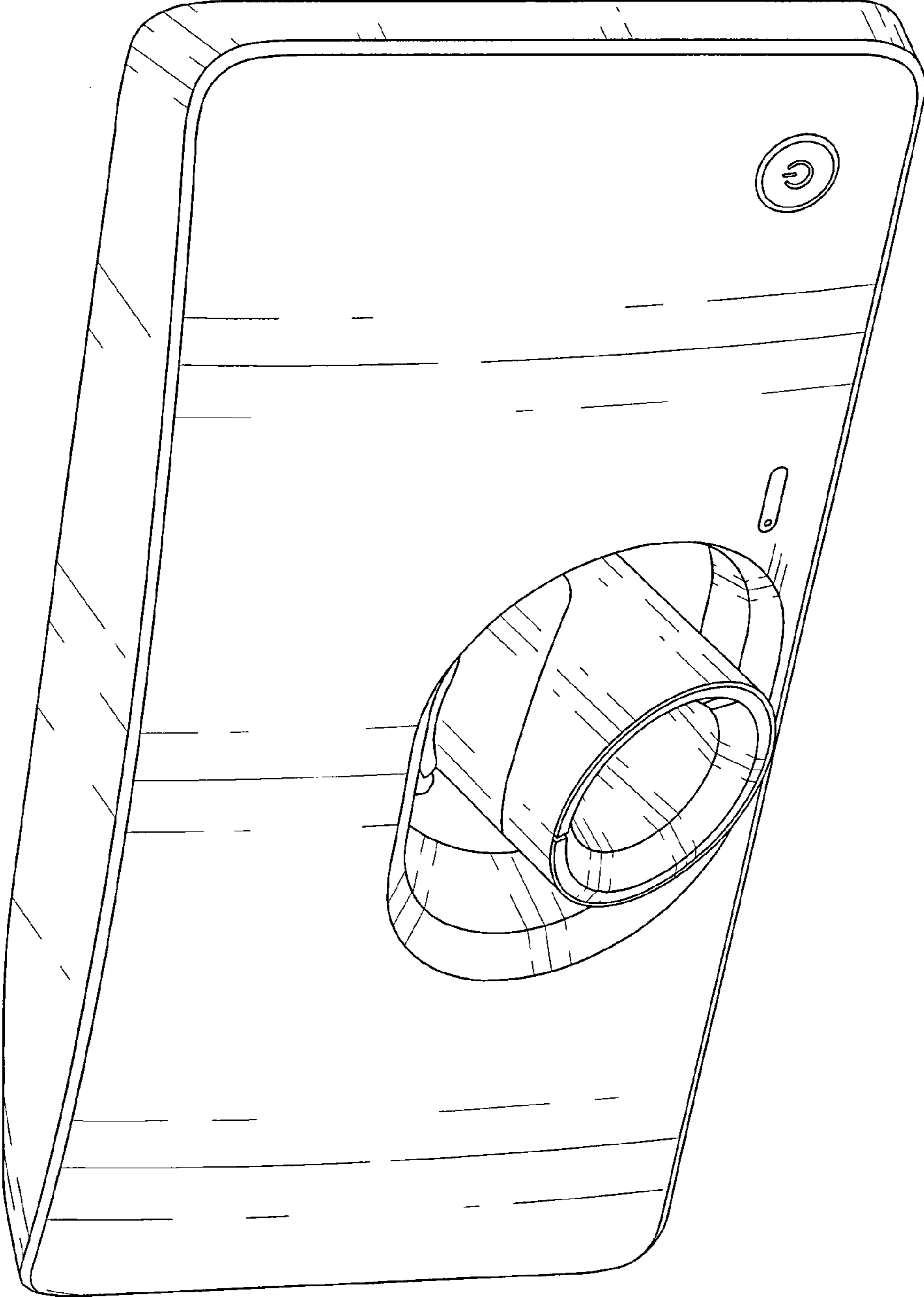


FIG. 1

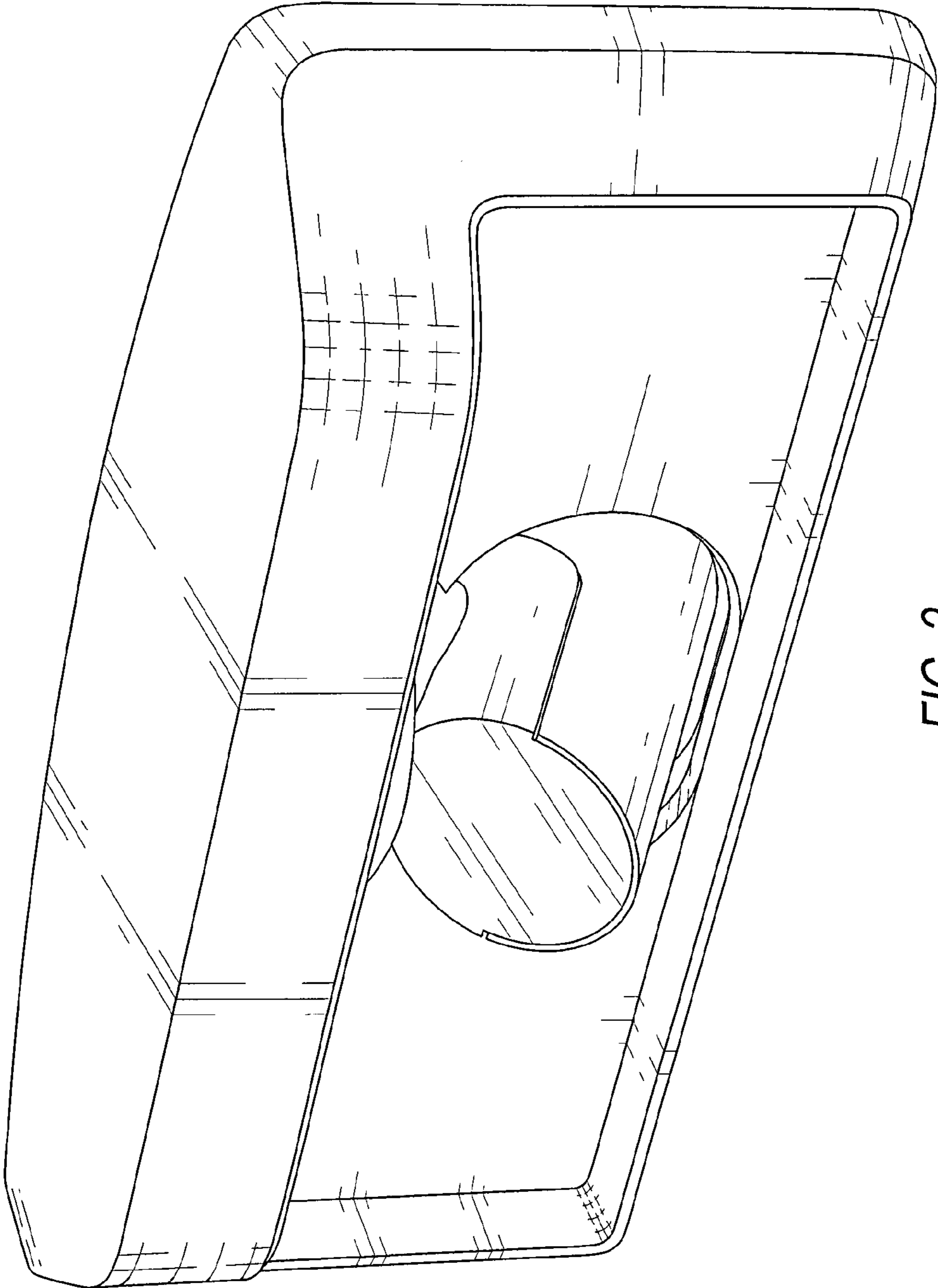


FIG. 2

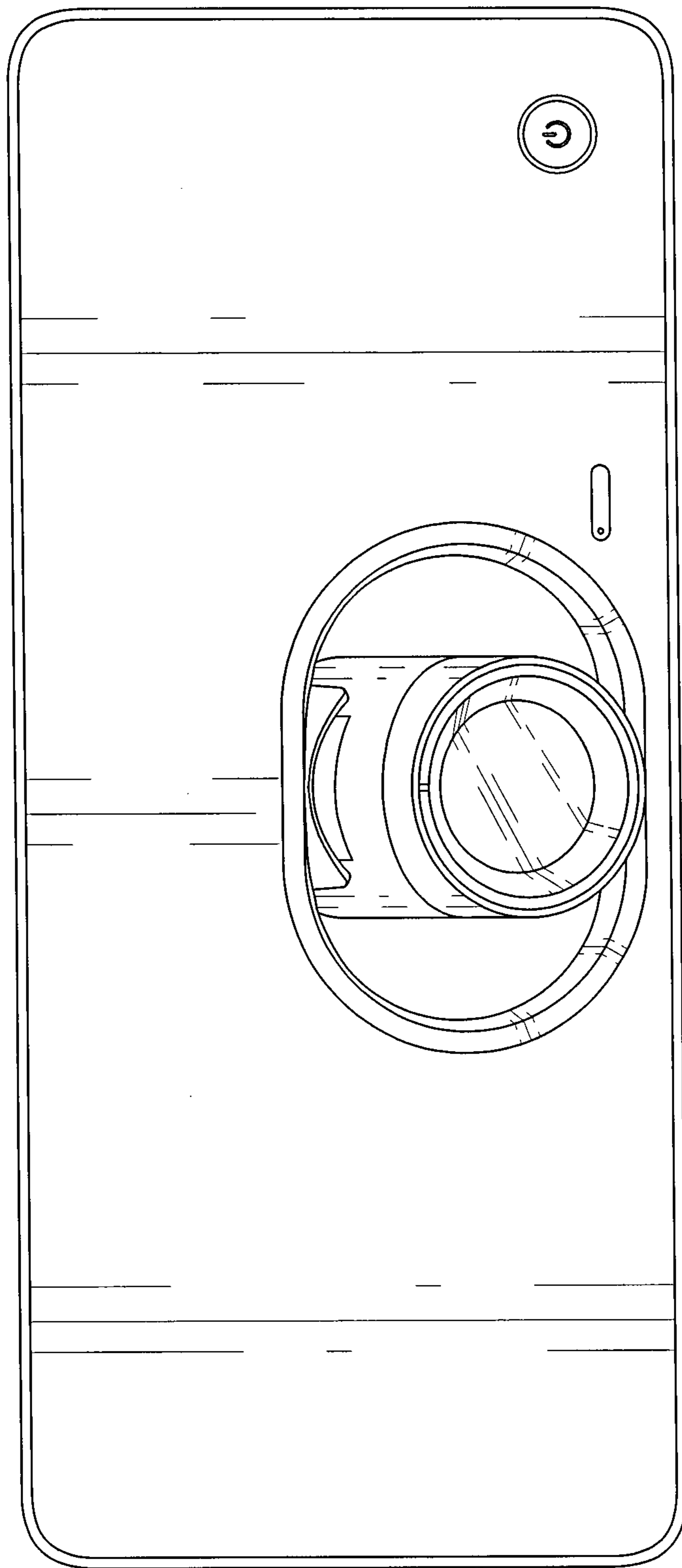


FIG. 3

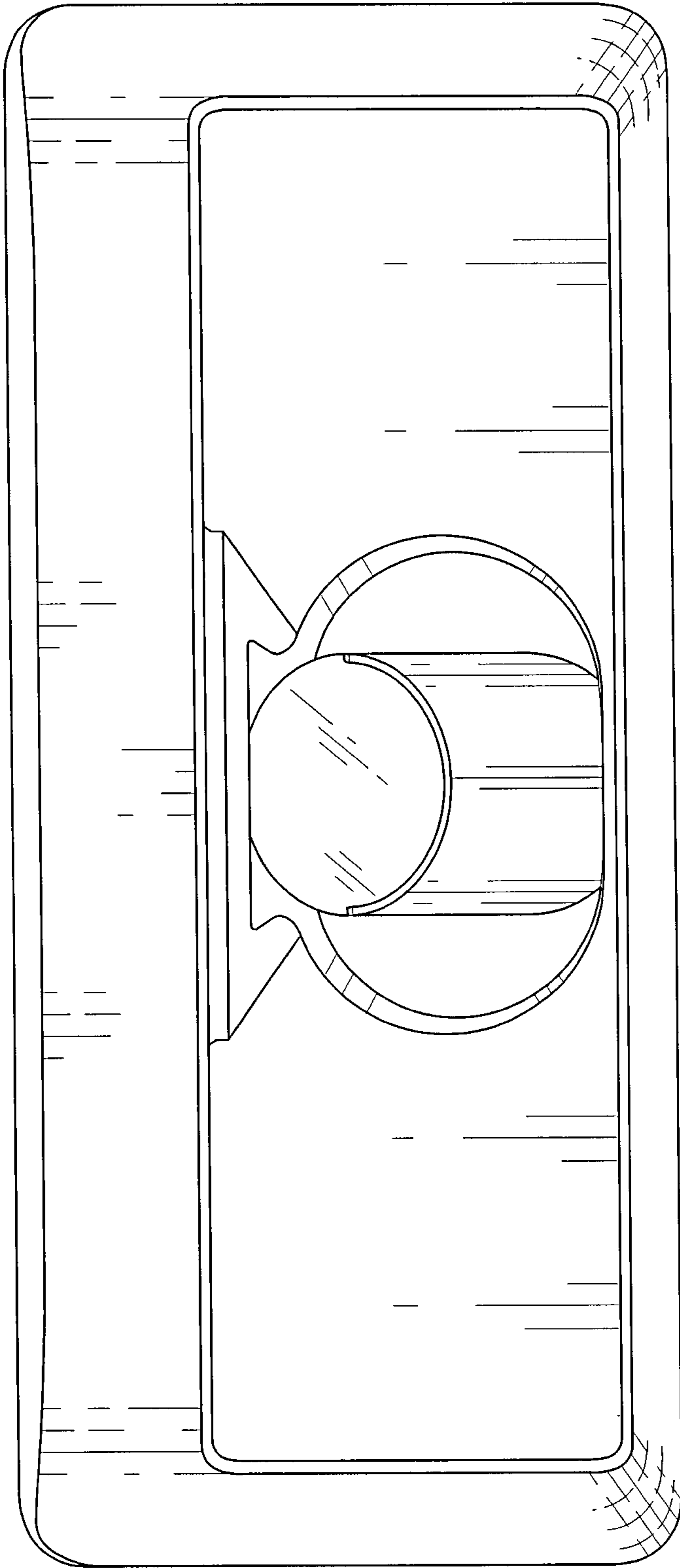


FIG. 4

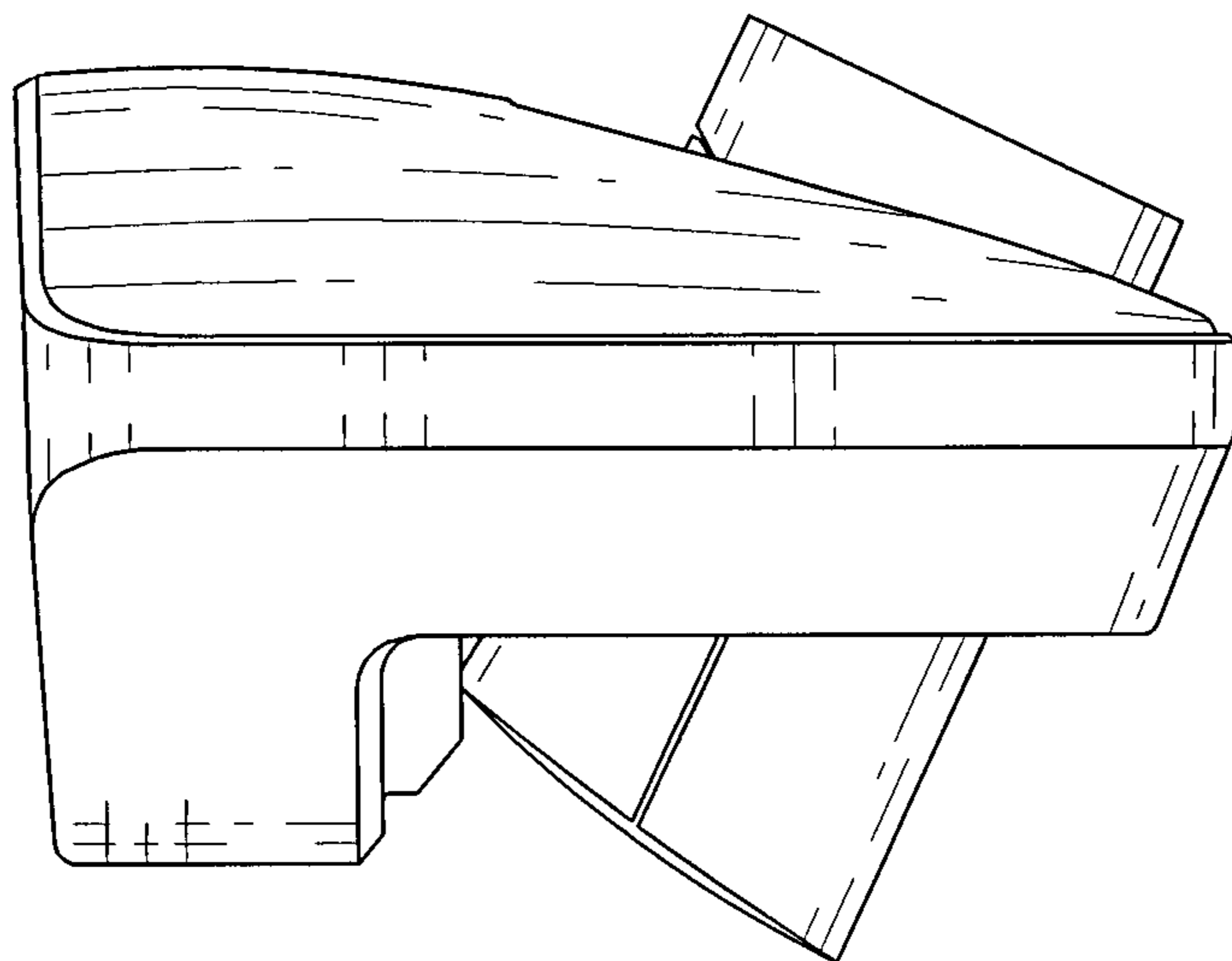


FIG. 6

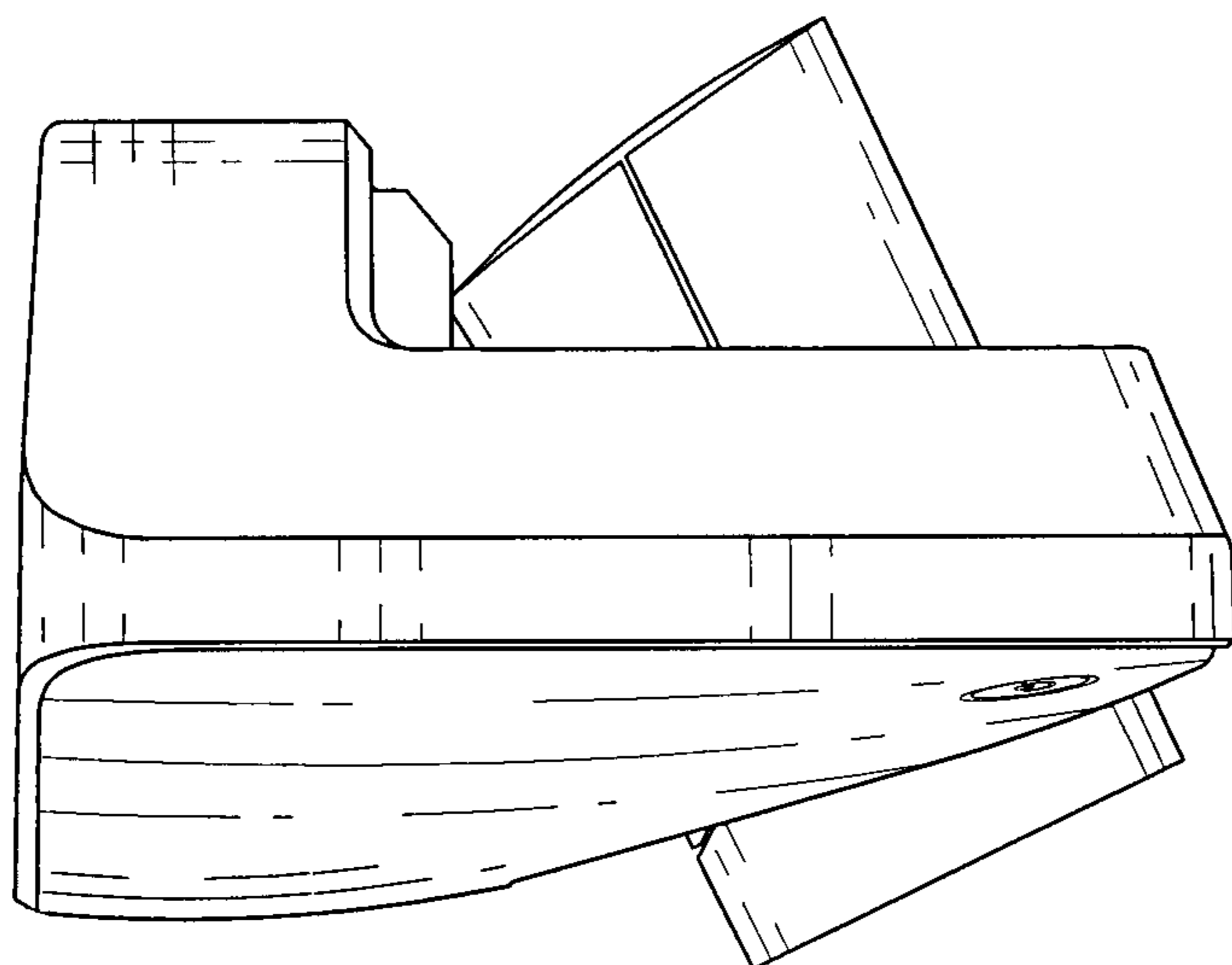


FIG. 5



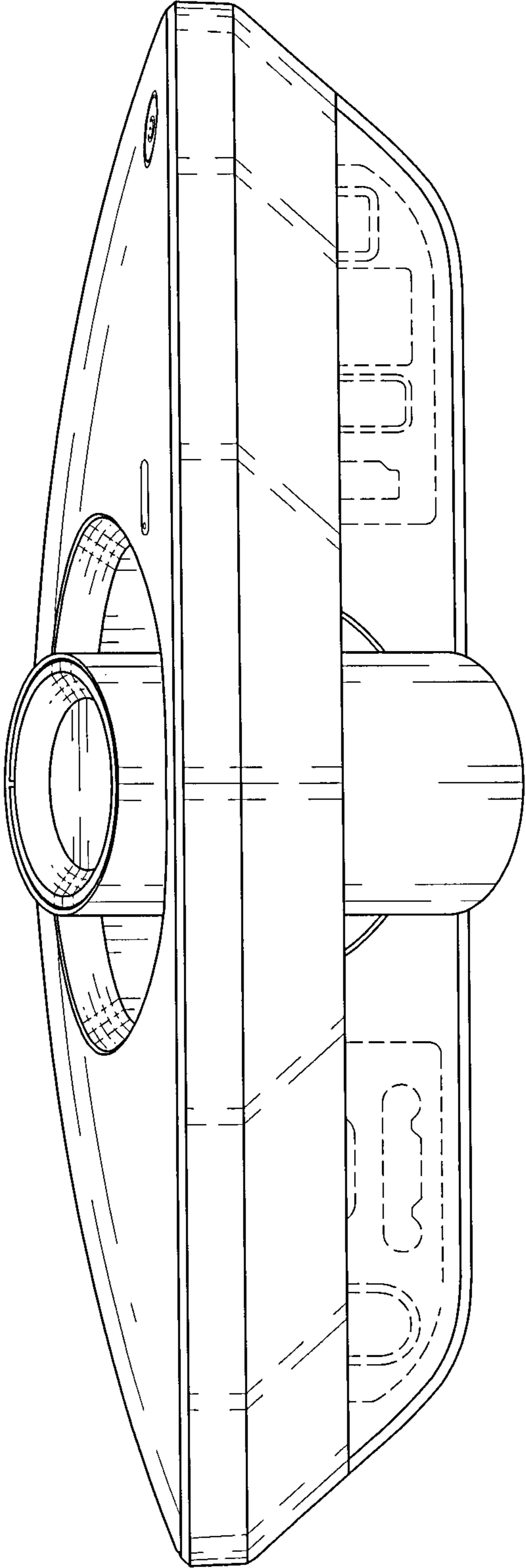


FIG. 7

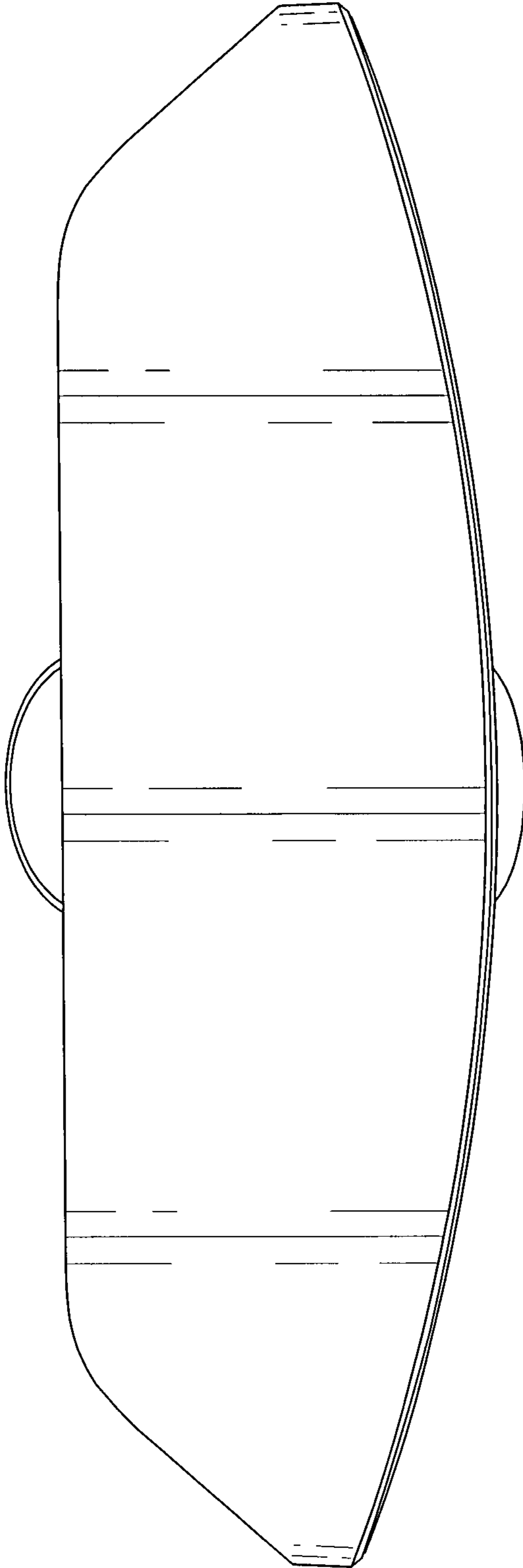


FIG. 8