



US00D707740S

(12) **United States Design Patent**
Kawai et al.

(10) **Patent No.:** **US D707,740 S**
(45) **Date of Patent:** **** Jun. 24, 2014**

- (54) **LOUPE**
- (71) Applicant: **Engineer Inc.**, Osaka (JP)
- (72) Inventors: **Shin-nosuke Kawai**, Osaka (JP);
Masanori Ando, Osaka (JP); **Mitsuhiro Takasaki**, Osaka (JP)
- (73) Assignee: **Engineer Inc.**, Osaka (JP)
- (**) Term: **14 Years**
- (21) Appl. No.: **29/455,017**
- (22) Filed: **May 16, 2013**
- (51) **LOC (10) Cl.** **16-06**
- (52) **U.S. Cl.**
CPC **G02B 25/002** (2013.01)
USPC **D16/135**
- (58) **Field of Classification Search**
USPC D16/135, 136, 134, 130; D26/63, 65;
362/402; 359/802, 803, 804, 805, 807,
359/810, 811, 815, 816, 817, 818;
248/278.1, 282.1, 283.1, 284.1,
248/292.11, 280.11
See application file for complete search history.

- D520,543 S * 5/2006 Welch D16/131
- D522,550 S * 6/2006 Kung D16/132
- D552,645 S * 10/2007 Yip et al. D16/136
- D597,238 S * 7/2009 Lu et al. D26/61
- D614,219 S * 4/2010 Yip et al. D16/135
- D627,501 S * 11/2010 Lin et al. D26/65
- D682,905 S * 5/2013 Kendall et al. D16/135
- 2002/0051304 A1 * 5/2002 Jung 359/802

* cited by examiner

Primary Examiner — Paula Greene

(74) *Attorney, Agent, or Firm* — Muncy, Geissler, Olds & Lowe, P.C.

(57) **CLAIM**

The ornamental design for a loupe, as shown and described.

DESCRIPTION

FIG. 1 is a front view of a loupe in a full extension posture showing our new design;
 FIG. 2 is a rear view thereof;
 FIG. 3 is a top view thereof;
 FIG. 4 is a bottom view thereof;
 FIG. 5 is a right side view thereof;
 FIG. 6 is a left side view thereof;
 FIG. 7 is a front view of the loupe in a folded posture;
 FIG. 8 is a rear view thereof;
 FIG. 9 is a top view thereof;
 FIG. 10 is a bottom view thereof;
 FIG. 11 is a right side view thereof;
 FIG. 12 is a left side view thereof;
 FIG. 13 is a perspective view of the loupe in a stand up posture in which the loupe is able to stand by itself; and,
 FIG. 14 is an alternate perspective view of the loupe in a posture by which the user handily holds and uses the loupe with one hand.

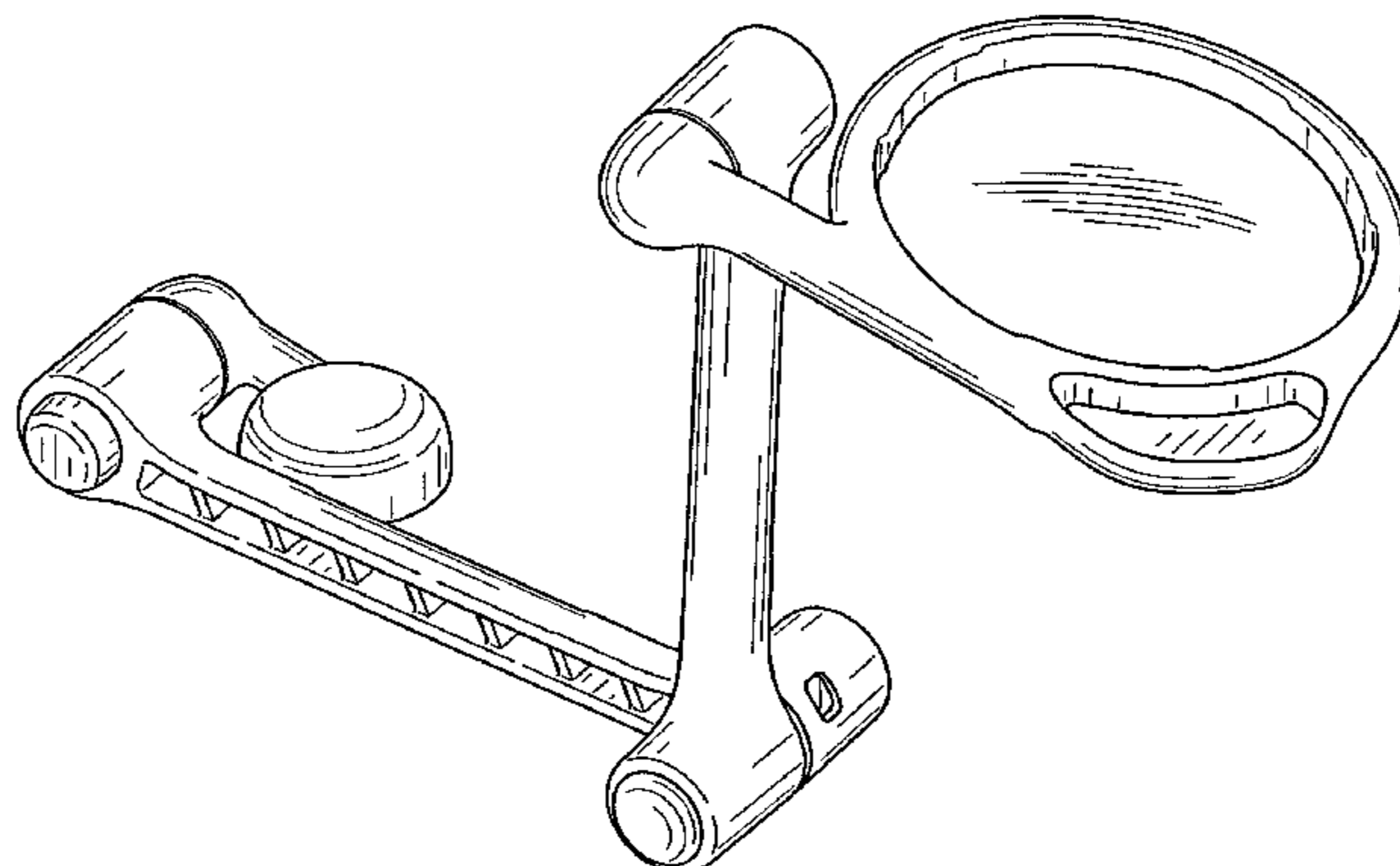
The broken lines and the areas within the broken lines are included for illustrative purposes only and form no part of the claimed design.

1 Claim, 7 Drawing Sheets

(56) **References Cited**

U.S. PATENT DOCUMENTS

- 2,104,198 A * 1/1938 Jones 359/802
- 3,489,384 A * 1/1970 Perbal 248/280.11
- 4,234,150 A * 11/1980 Mee et al. 248/281.11
- D278,461 S * 4/1985 Pepall D24/210
- 4,603,944 A * 8/1986 Greenlaw et al. 359/818
- 4,770,384 A * 9/1988 Kuwazima et al. 248/281.11
- 4,944,574 A * 7/1990 Roote et al. 359/802
- 4,958,913 A * 9/1990 Schaffer 359/819
- 5,351,424 A * 10/1994 Schulle et al. 38/102.1
- 5,446,595 A * 8/1995 McFall 359/804
- D417,682 S * 12/1999 Goff et al. D16/136
- D424,591 S * 5/2000 Goff et al. D16/135
- 6,476,984 B1 * 11/2002 Ringdahl 359/803



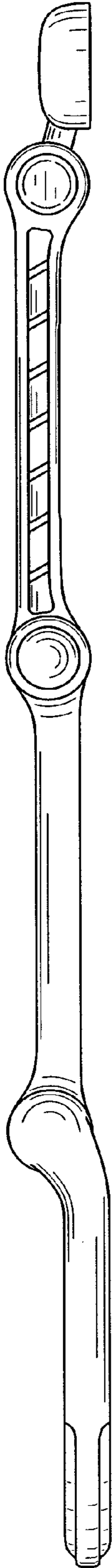


FIG. 1

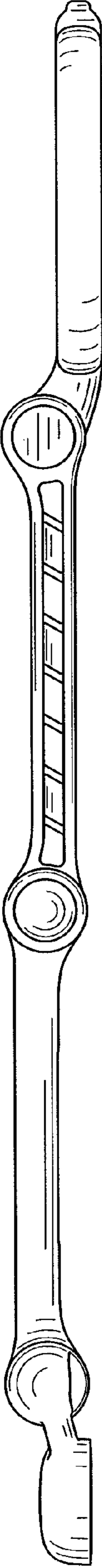


FIG. 2

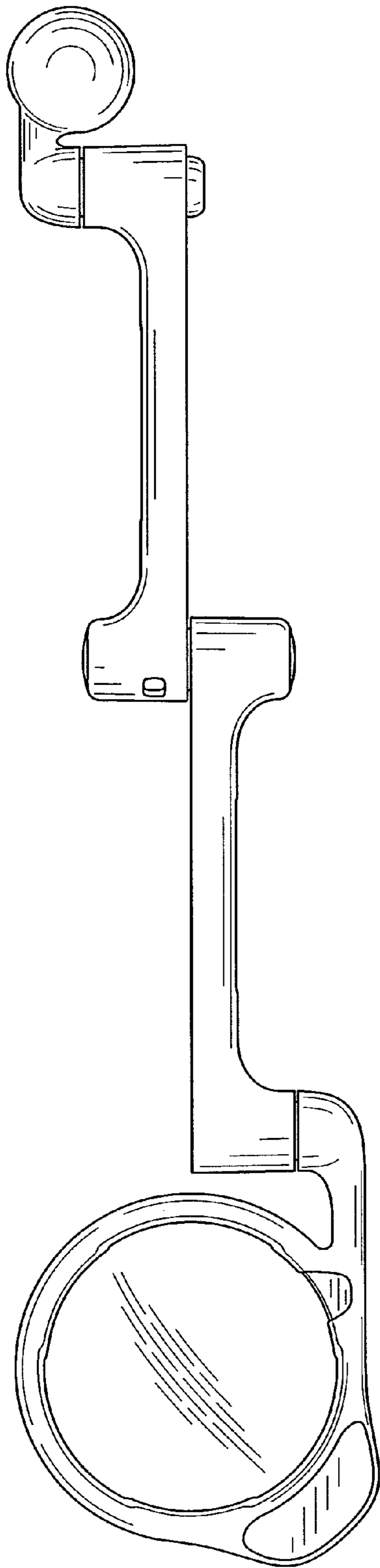


FIG. 3

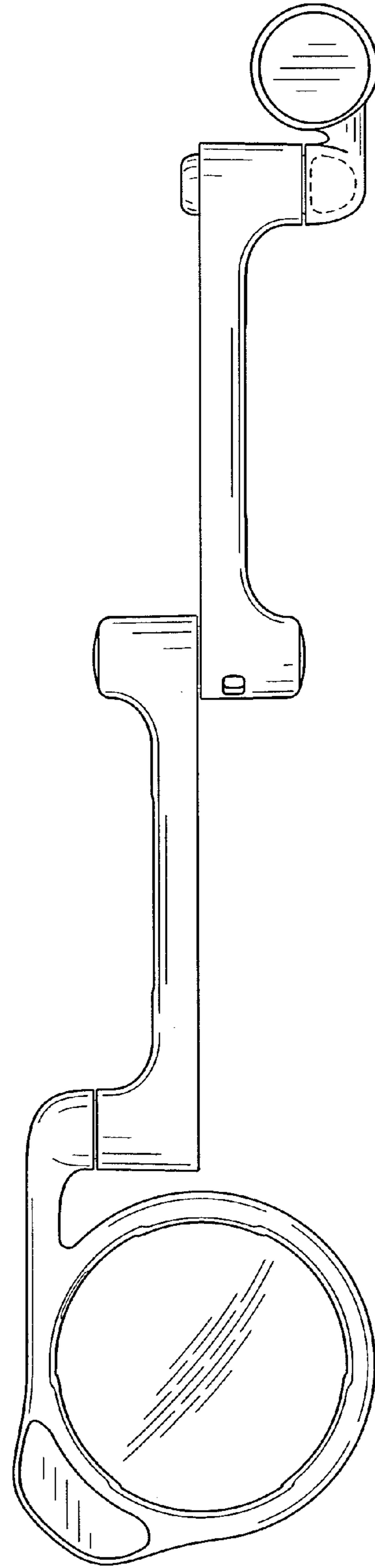


FIG. 4

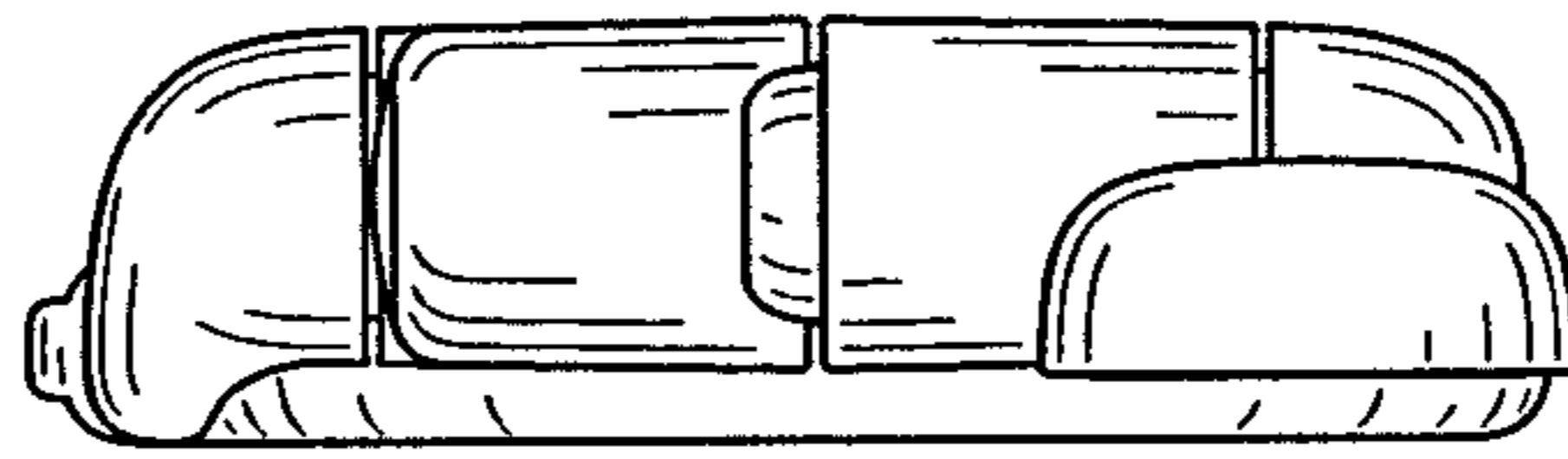


FIG. 5

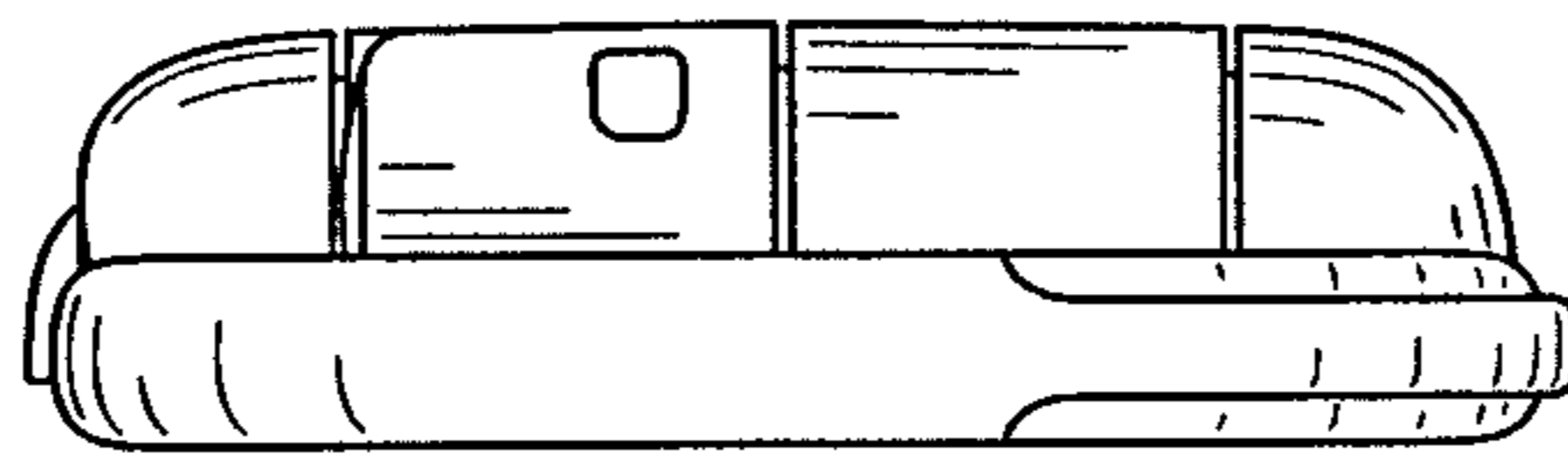


FIG. 6

Fig. 7

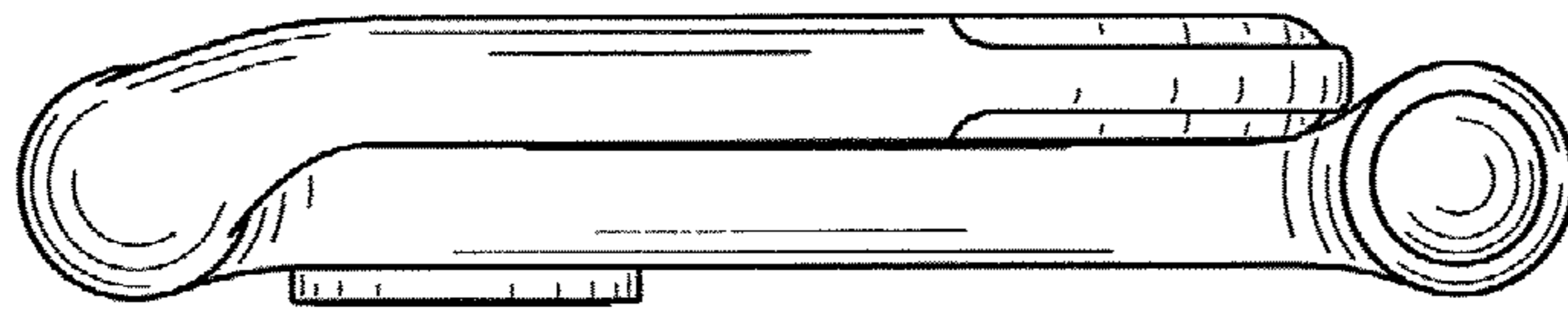
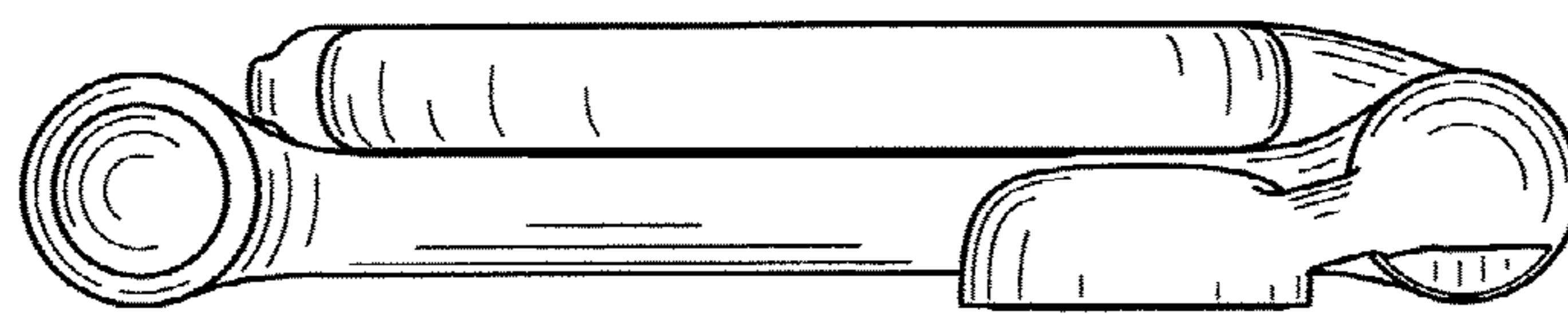


Fig. 8



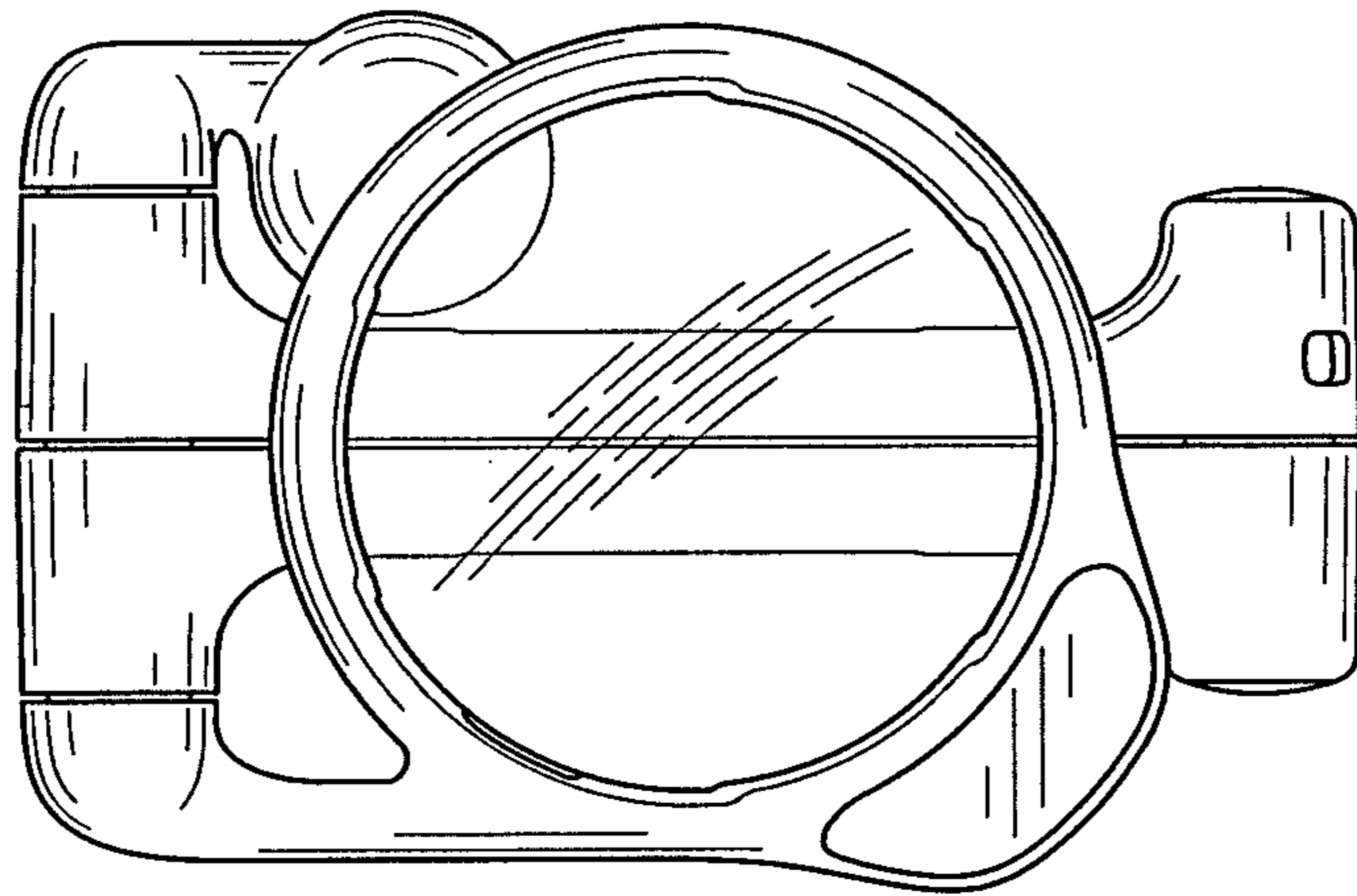


FIG. 9

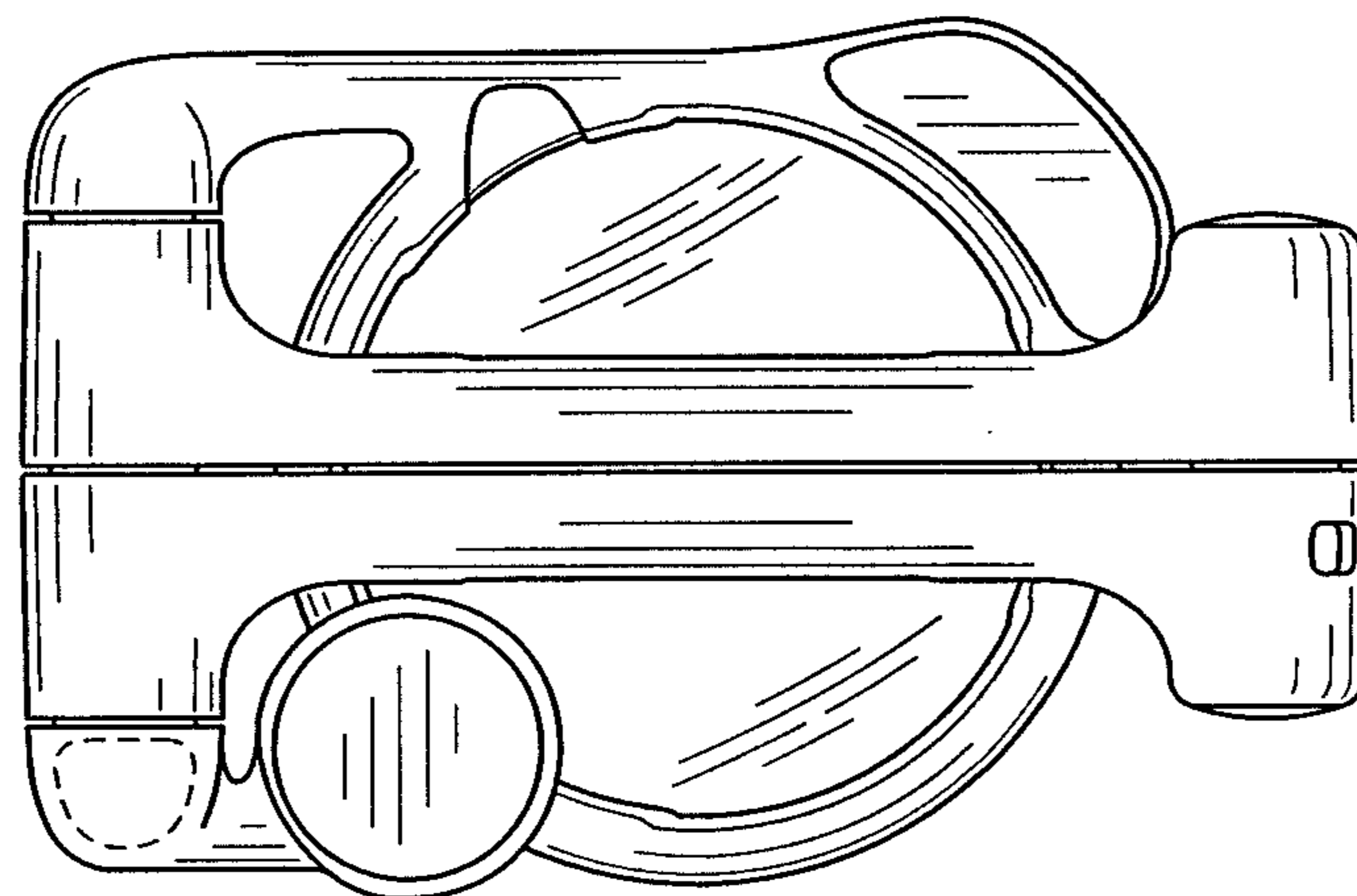


FIG. 10

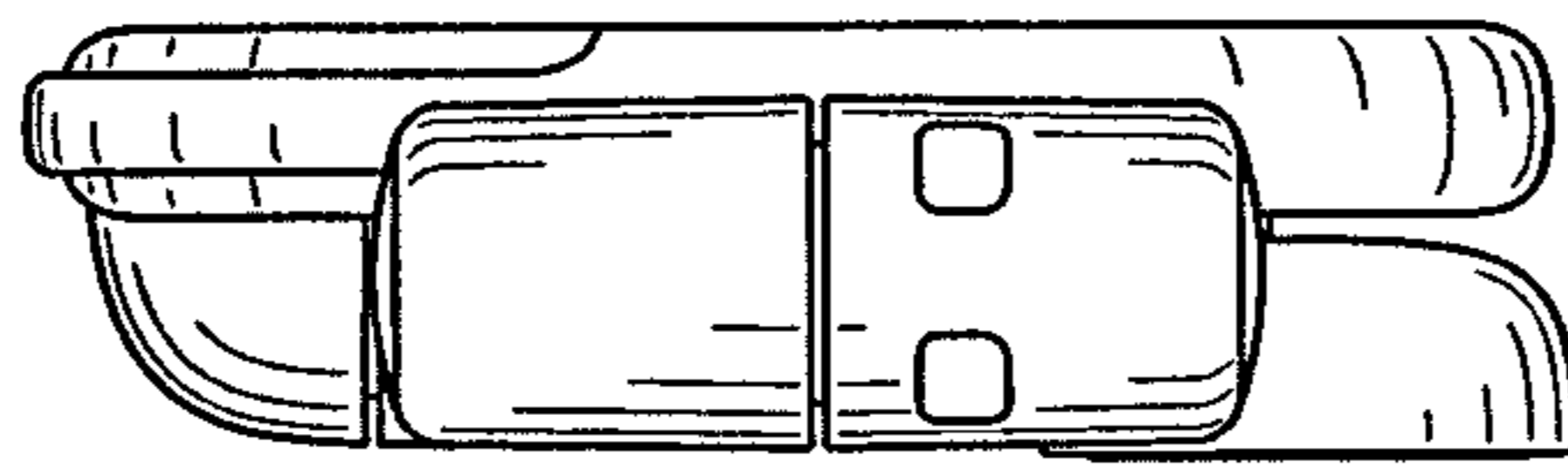


FIG. 11

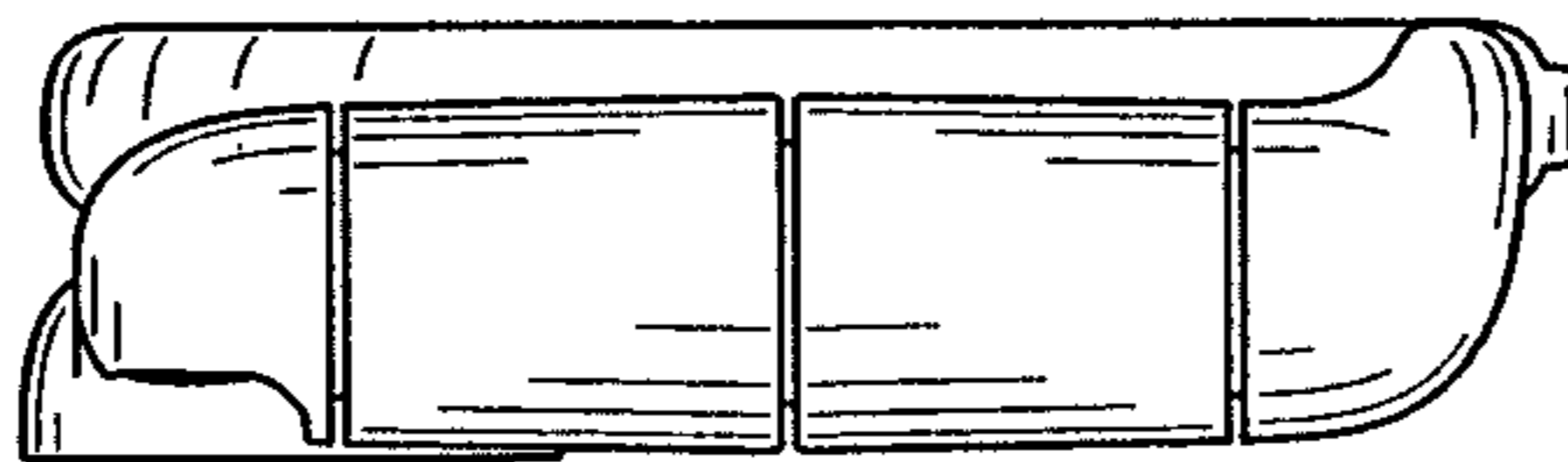


FIG. 12

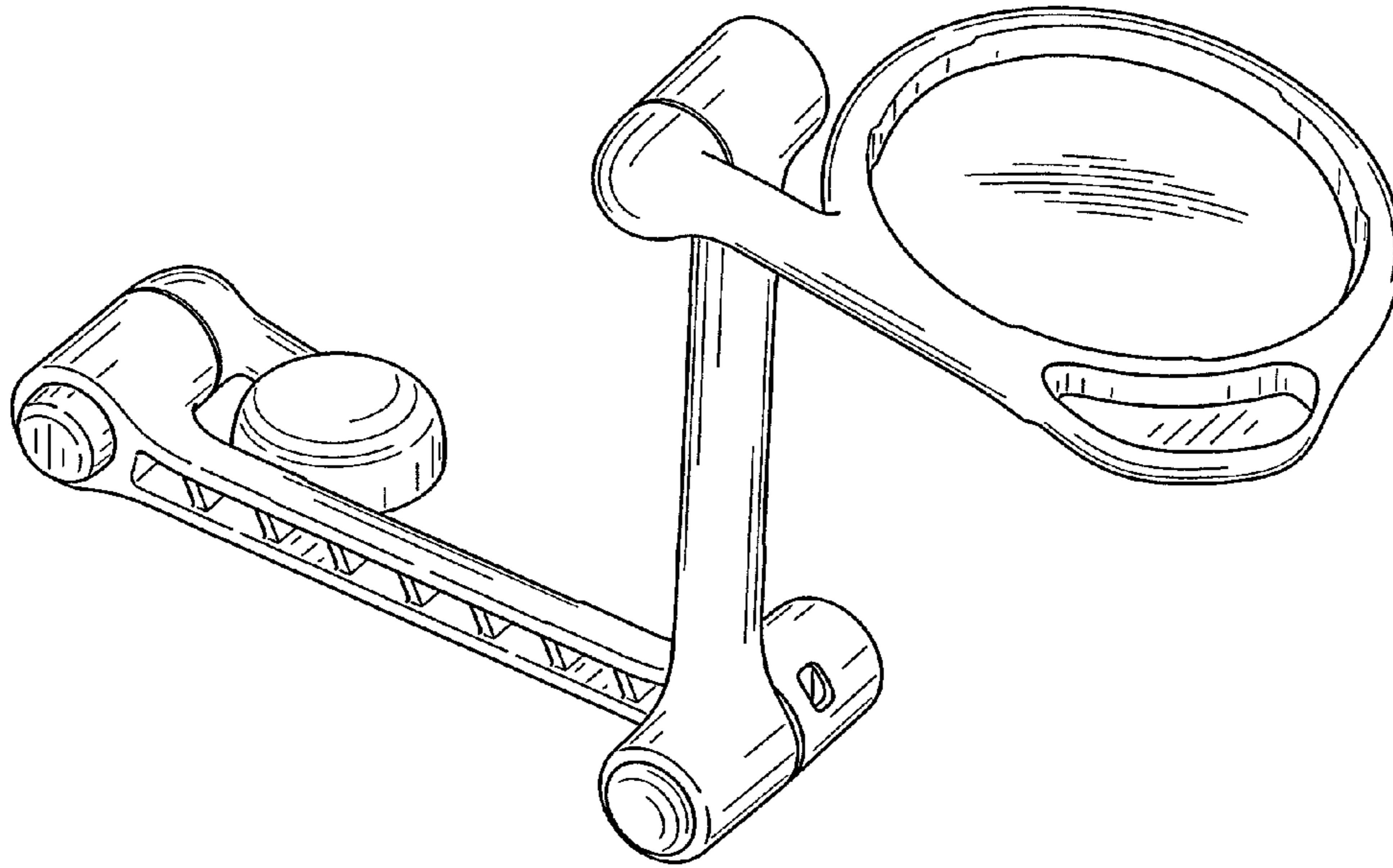


FIG. 13

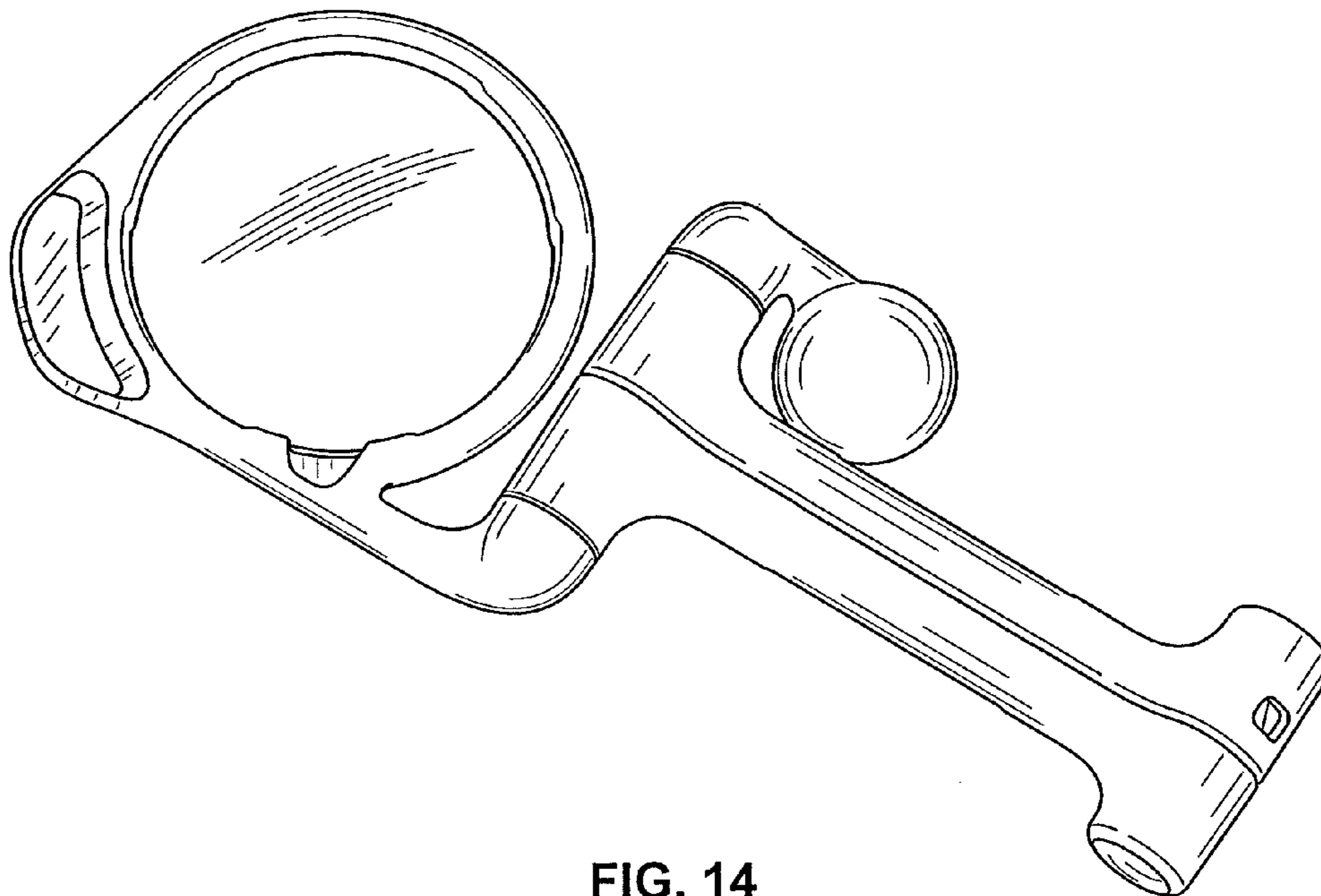


FIG. 14