



US00D707739S

(12) **United States Design Patent**
Wada et al.

(10) **Patent No.:** **US D707,739 S**
(45) **Date of Patent:** **** Jun. 24, 2014**

(54) **MOTOR ACTUATOR**

(71) Applicant: **ASMO Co., Ltd.**, Shizuoka-ken (JP)

(72) Inventors: **Katsuyuki Wada**, Kosai (JP);
Tomonobu Hyodo, Kosai (JP); **Hiroto Inoue**, Toyohashi (JP)

(73) Assignee: **ASMO Co., Ltd.**, Shizuoka-ken (JP)

(**) Term: **14 Years**

(21) Appl. No.: **29/477,009**

(22) Filed: **Dec. 18, 2013**

(30) **Foreign Application Priority Data**

Jun. 20, 2013 (JP) 2013-013930

(51) **LOC (10) Cl.** **15-09**

(52) **U.S. Cl.**
USPC **D15/148**

(58) **Field of Classification Search**

CPC F16D 65/18; F16D 2066/003; F16D
2121/24; G05B 19/234; G05B 2219/45242;
H02K 5/15; H02K 5/225; H02K 5/1732;
H02K 7/14; H02K 7/003; H02K 7/116;
H02K 7/1116; H02K 11/001; H02K 11/0015;
H02K 11/0073; H02K 11/0084
USPC D13/158, 162, 171, 174, 184; D15/5, 7,
D15/9, 143, 148, 199

See application file for complete search history.

(56) **References Cited**

U.S. PATENT DOCUMENTS

6,028,384 A * 2/2000 Billman et al. 310/83
D587,661 S * 3/2009 Blakesley D13/174
D660,891 S * 5/2012 Sannomiya D15/143
D680,141 S * 4/2013 Sannomiya D15/148

2002/0111241 A1 * 8/2002 Kujira et al. 475/149
2002/0130567 A1 * 9/2002 Kujira 310/68 B
2007/0103010 A1 * 5/2007 Kouzu et al. 310/51
2008/0257086 A1 * 10/2008 Noritake 74/422
2011/0089789 A1 * 4/2011 Tang et al. 310/68 B
2011/0156545 A1 * 6/2011 Wen et al. 310/68 B
2012/0025643 A1 * 2/2012 Shibusawa et al. 310/71
2012/0098364 A1 * 4/2012 Inoue 310/71
2012/0139371 A1 * 6/2012 Gottschalk et al. 310/71
2012/0161561 A1 * 6/2012 Kuhnen et al. 310/72
2012/0212080 A1 * 8/2012 Jiang et al. 310/43
2013/0008276 A1 * 1/2013 Horikawa et al. 74/427
2013/0057122 A1 * 3/2013 Huck 310/68 R
2013/0104682 A1 * 5/2013 Schneider 74/421 A
2013/0154413 A1 * 6/2013 Schweichart et al. 310/88
2013/0220073 A1 * 8/2013 Suto et al. 74/606 R
2013/0257185 A1 * 10/2013 Akutsu et al. 310/43

* cited by examiner

Primary Examiner — Patricia Palasik

(74) *Attorney, Agent, or Firm* — Christensen Fonder P.A.

(57) **CLAIM**

We claim the ornamental design for a motor actuator, as shown and described.

DESCRIPTION

FIG. 1 is a front, top, and right side perspective view of a motor actuator showing our new design;
FIG. 2 is a rear, bottom, and left side perspective view thereof;
FIG. 3 is a front view thereof;
FIG. 4 is a rear view thereof;
FIG. 5 is a top plan view thereof;
FIG. 6 is a bottom plan view thereof;
FIG. 7 is a right side view thereof; and,
FIG. 8 is a left side view thereof.

The features shown in broken lines in the drawings depict environmental subject matter only and form no part of the claimed design.

1 Claim, 6 Drawing Sheets

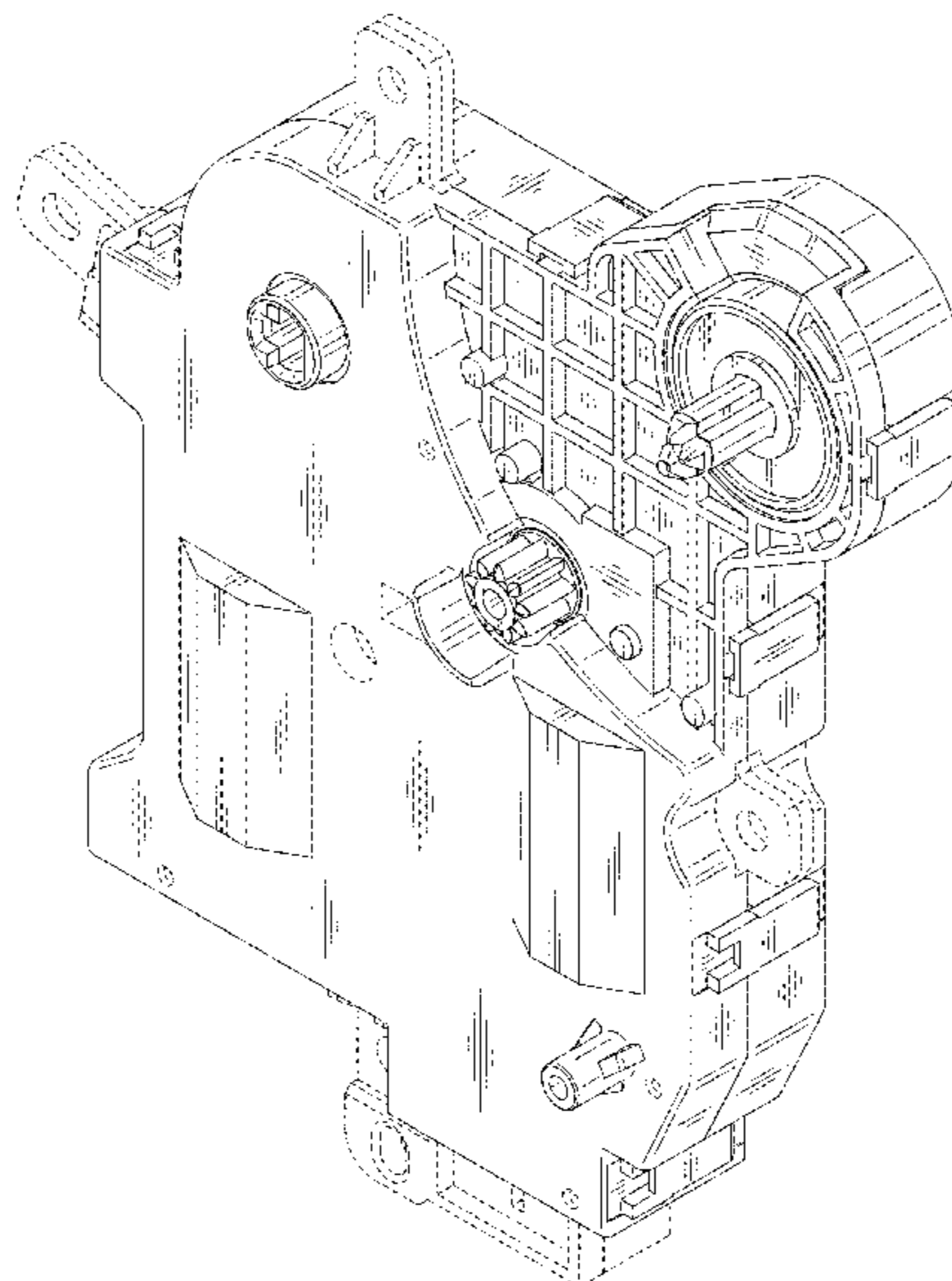


FIG. 1

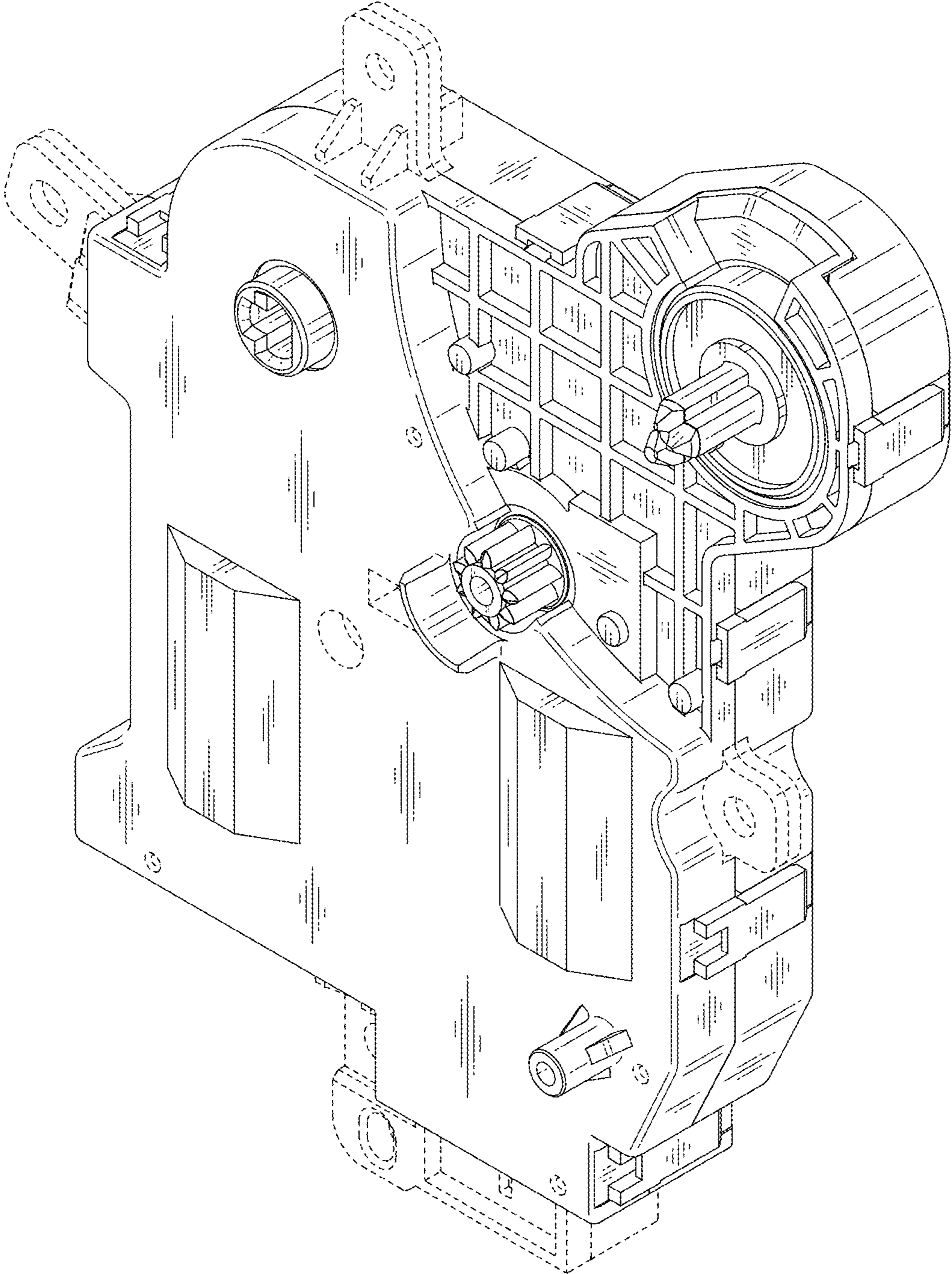


FIG. 2

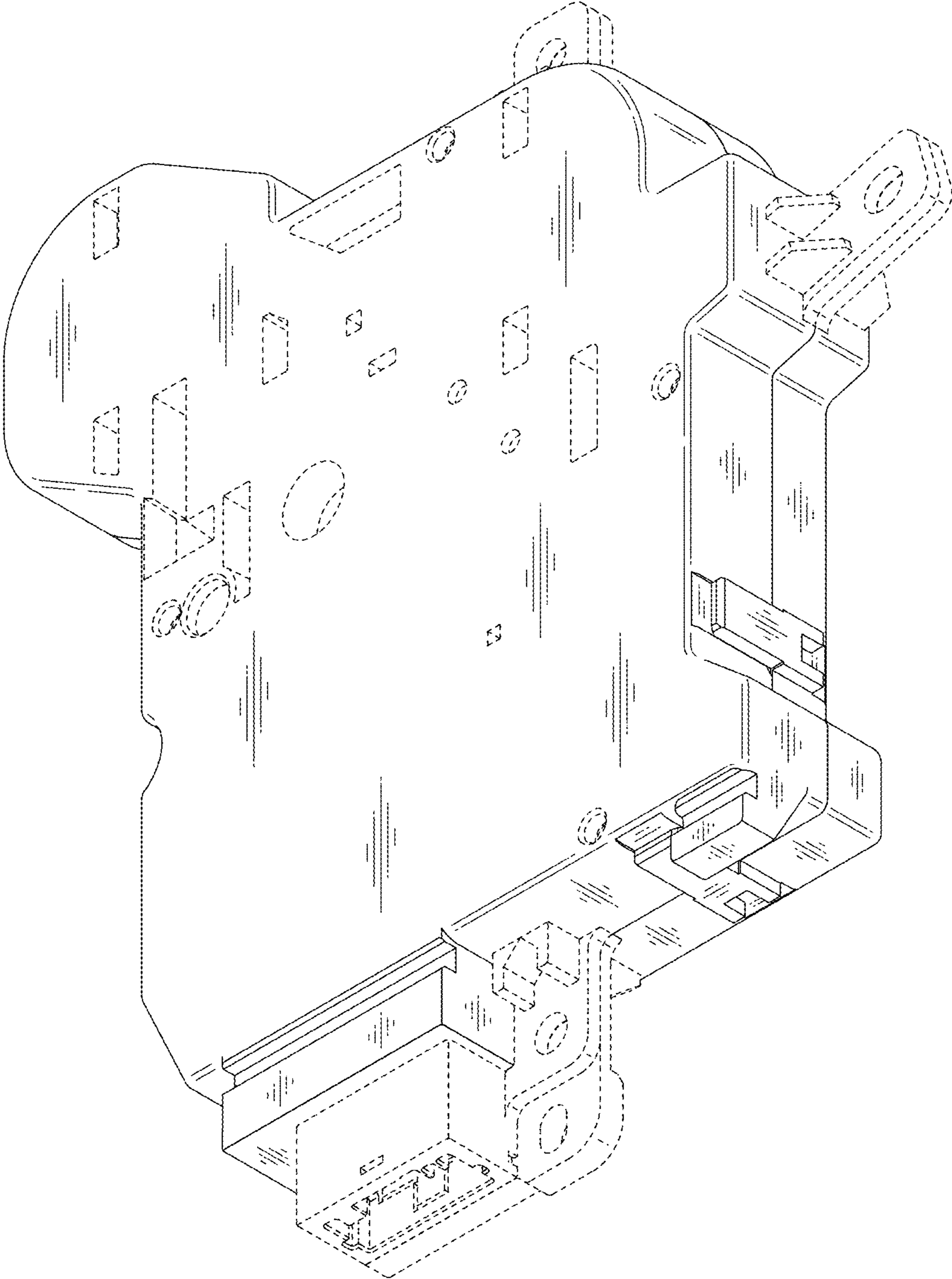


FIG. 3

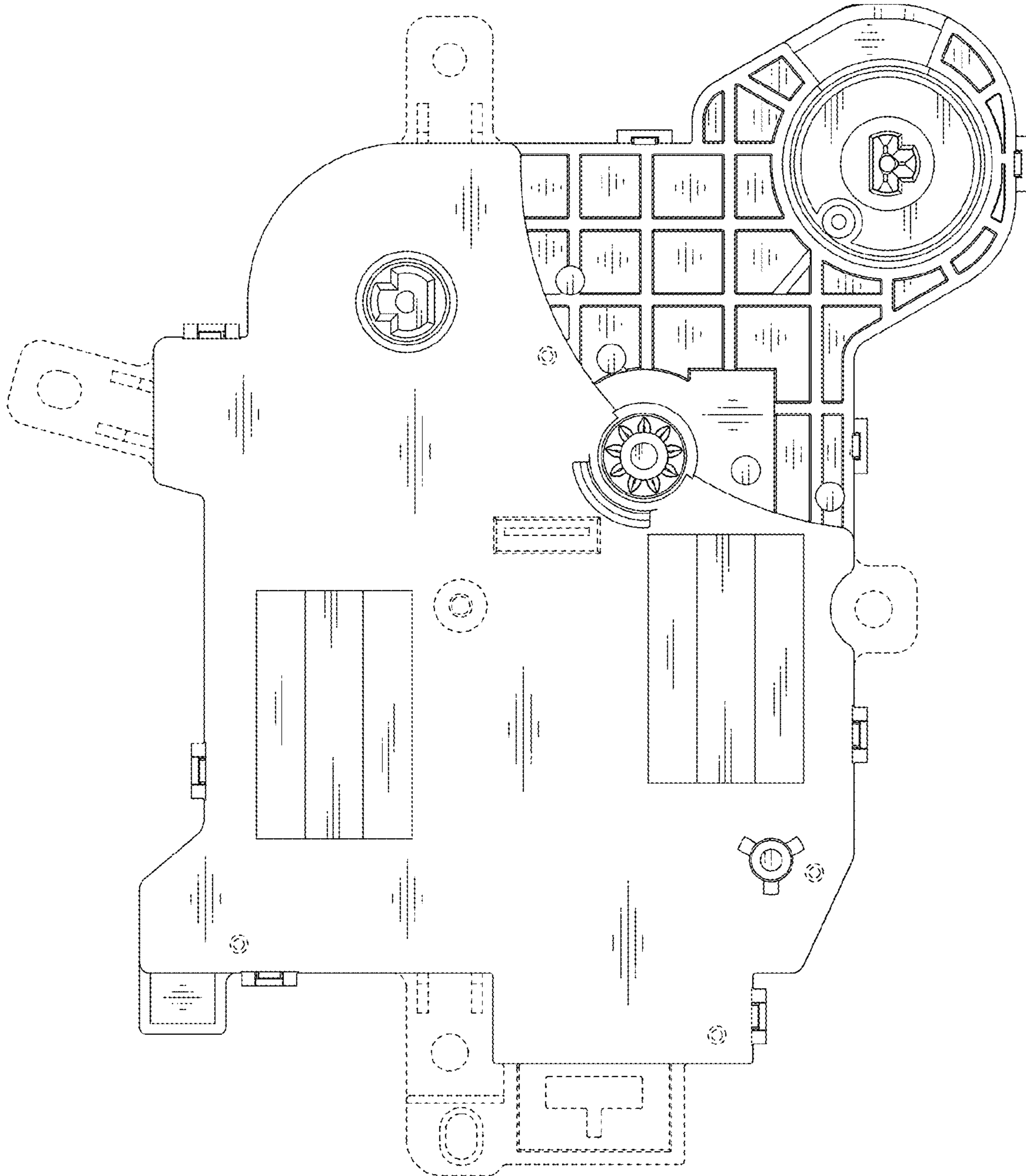


FIG. 4

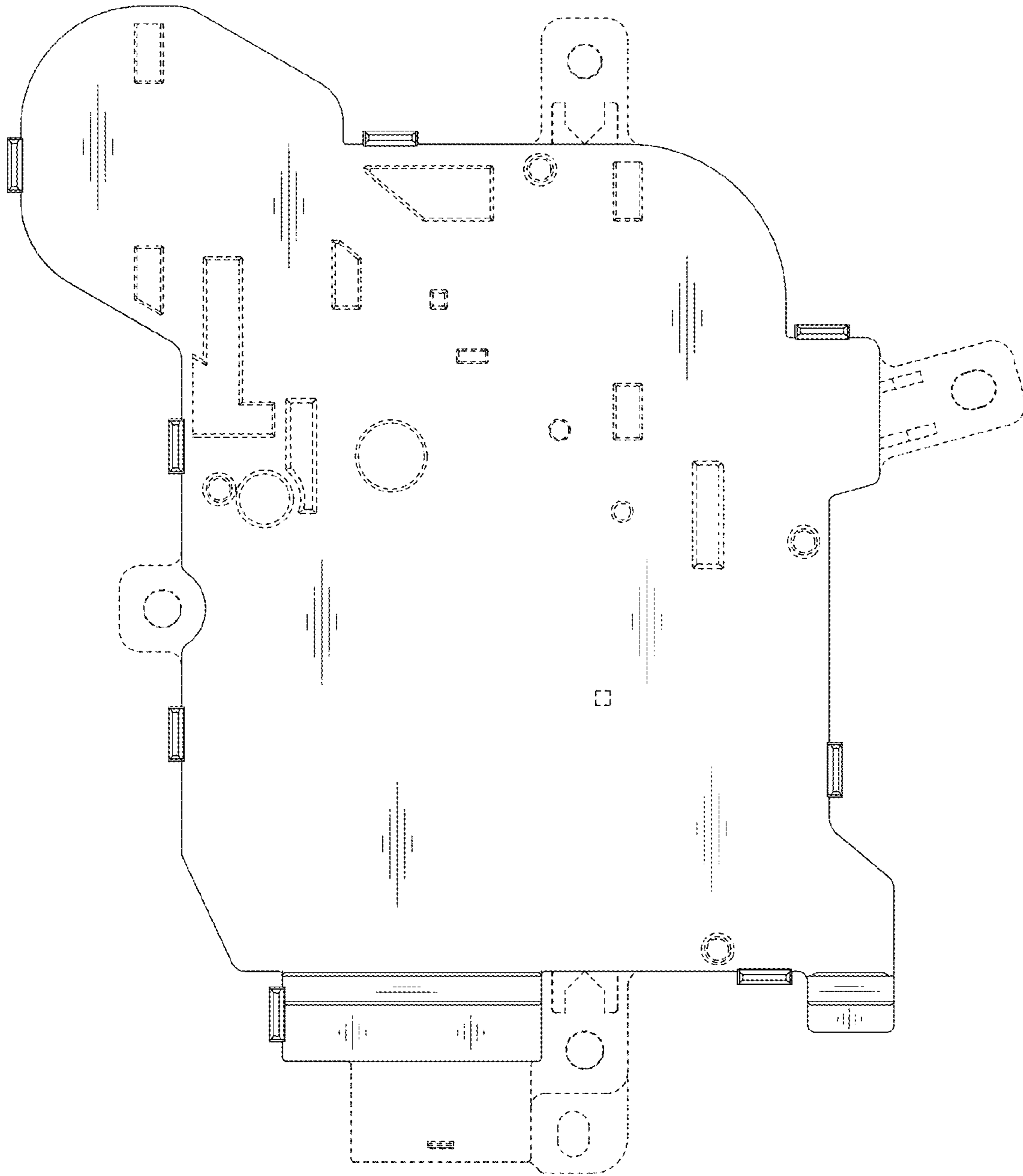


FIG. 5

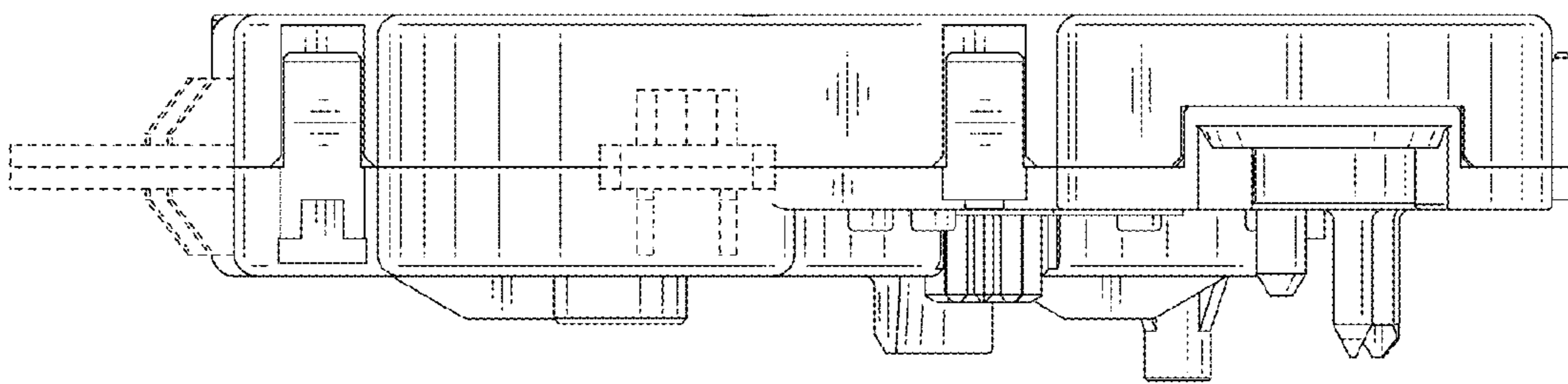


FIG. 6

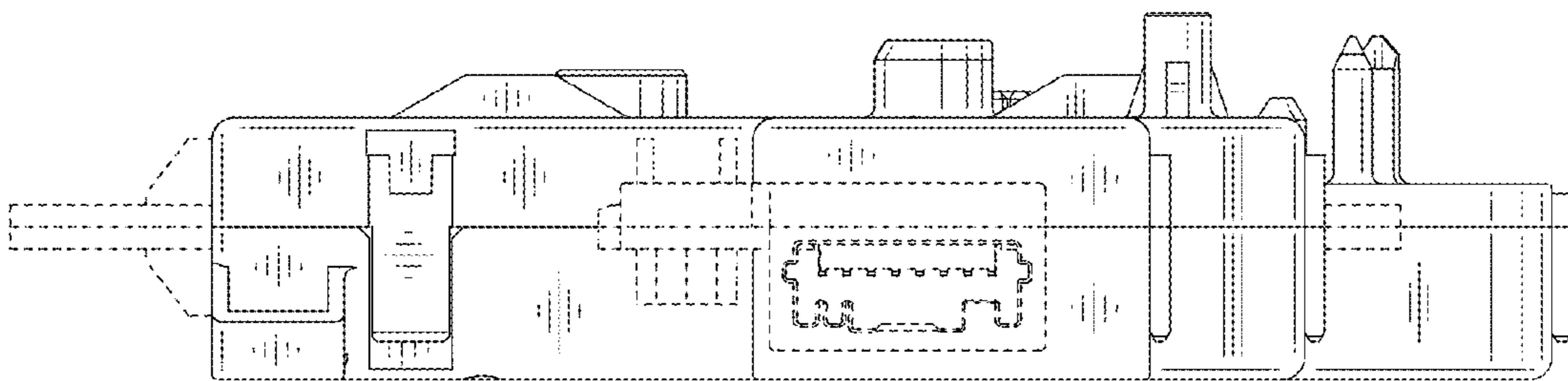


FIG. 7

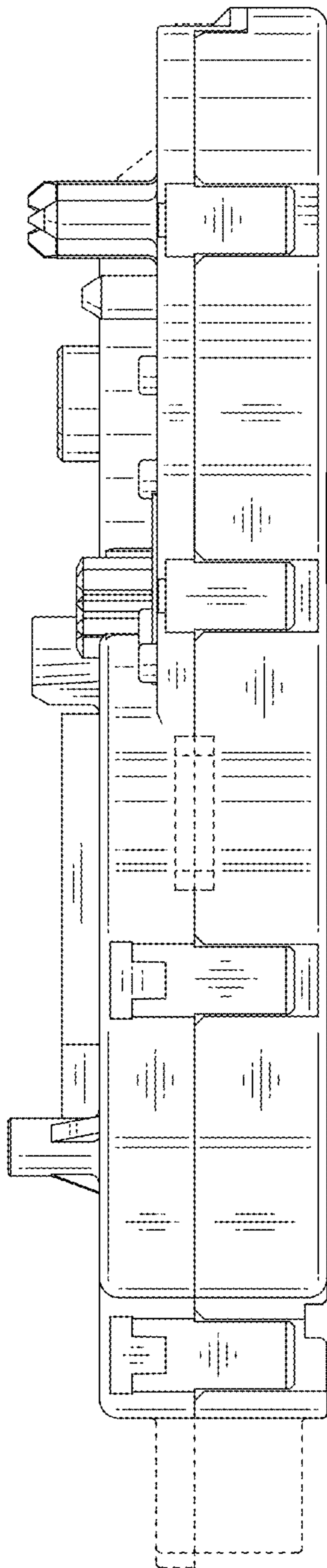


FIG. 8

