



US00D707738S

(12) **United States Design Patent**
Craaford et al.

(10) **Patent No.:** **US D707,738 S**
(45) **Date of Patent:** **** Jun. 24, 2014**

- (54) **FUEL OIL SEPARATOR**
- (71) Applicant: **Alfa Laval Corporate AB**, Lund (SE)
- (72) Inventors: **David Craaford**, Bromma (SE); **Pelle Renius**, Enskedegård (SE)
- (73) Assignee: **Alfa Laval Corporate AB**, Lund (SE)
- (**) Term: **14 Years**
- (21) Appl. No.: **29/455,821**
- (22) Filed: **May 24, 2013**

D395,439	S *	6/1998	King et al.	D15/150
7,226,533	B2 *	6/2007	Angulo Aramburu	208/179
7,867,310	B2 *	1/2011	Baten	55/459.1
D633,119	S *	2/2011	Mackel	D15/147
D654,522	S *	2/2012	Zhang	D15/152
D670,317	S *	11/2012	Pelini	D15/150
D670,318	S *	11/2012	Pelini	D15/150
2004/0007499	A1 *	1/2004	Angulo Aramburu	208/179
2004/0098956	A1 *	5/2004	Care et al.	55/400
2004/0188360	A1 *	9/2004	Armstrong et al.	210/774

* cited by examiner

Primary Examiner — Patricia Palasik

(74) *Attorney, Agent, or Firm* — Buchanan Ingersoll & Rooney PC

- (51) **LOC (10) Cl.** **15-09**
- (52) **U.S. Cl.**
USPC **D15/147**
- (58) **Field of Classification Search**
USPC D13/184; D15/1-7, 147, 150, 151, 152;
55/337, 400, 409, 485, 493, 498, 502,
55/505; 123/511, 575; 141/86, 88, 98,
141/231, 375, 391; 184/106; 206/511;
208/86, 87, 179, 180, 181, 184;
209/35, 140, 144, 154, 199; 210/171,
210/175, 416.4, 774, 806; 222/194, 195;
280/47.23, 47.26, 47.35, 659; 494/82
See application file for complete search history.

(57) **CLAIM**

The ornamental design for a fuel oil separator, as shown and described.

DESCRIPTION

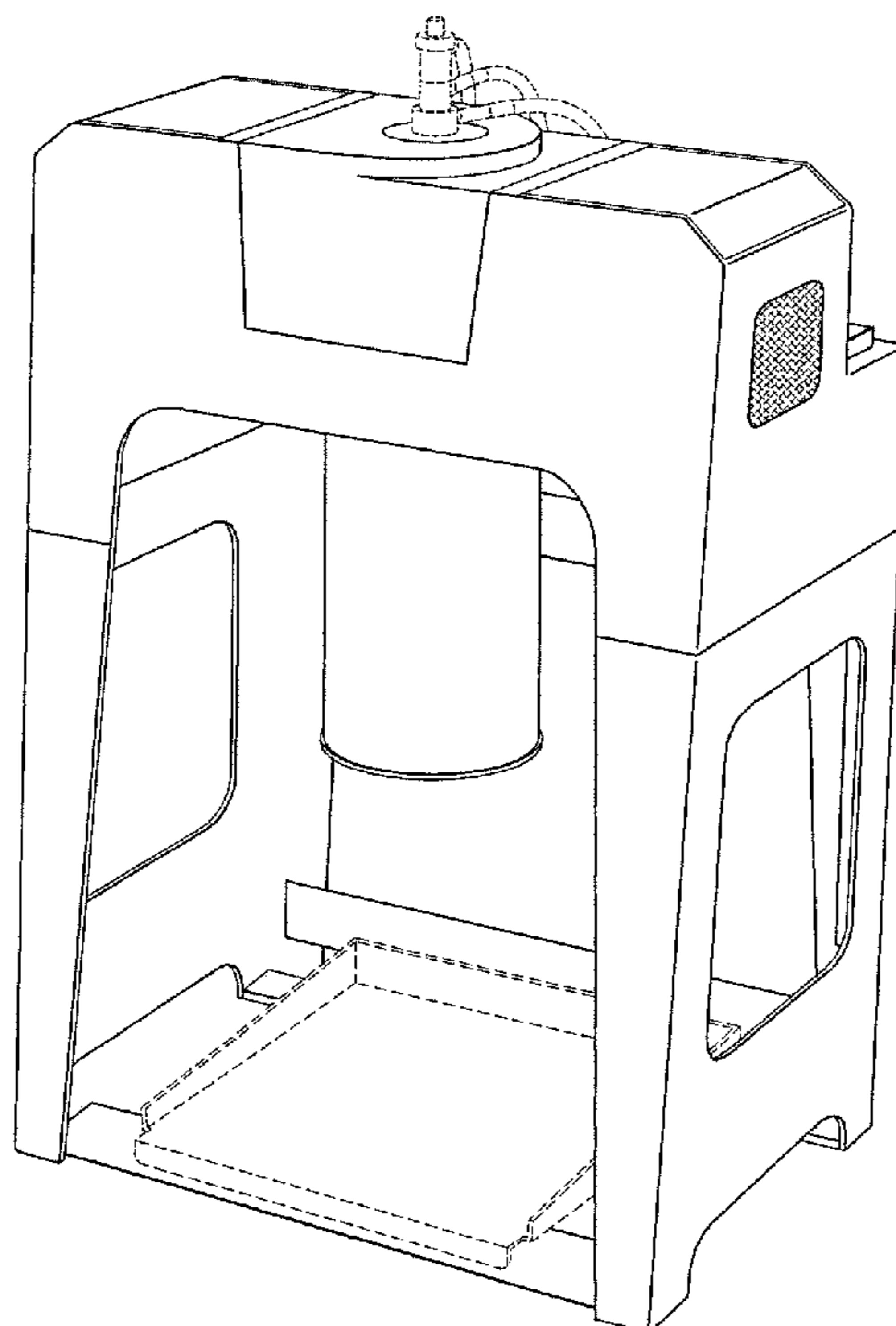
FIG. 1 is a perspective view of a fuel oil separator showing our new design.
 FIG. 2 is a front elevational view thereof.
 FIG. 3 is a rear elevational view thereof.
 FIG. 4 is a right side elevational view thereof.
 FIG. 5 is a left side elevational view thereof.
 FIG. 6 is a top plan view thereof; and,
 FIG. 7 is a bottom plan view thereof.
 The broken line showing in the drawing figures is for environmental purposes only and forms no part of the claimed design.

(56) **References Cited**

U.S. PATENT DOCUMENTS

1,460,063	A *	6/1923	Jones et al.	123/557
D384,250	S *	9/1997	Dumlao	D7/667

1 Claim, 6 Drawing Sheets



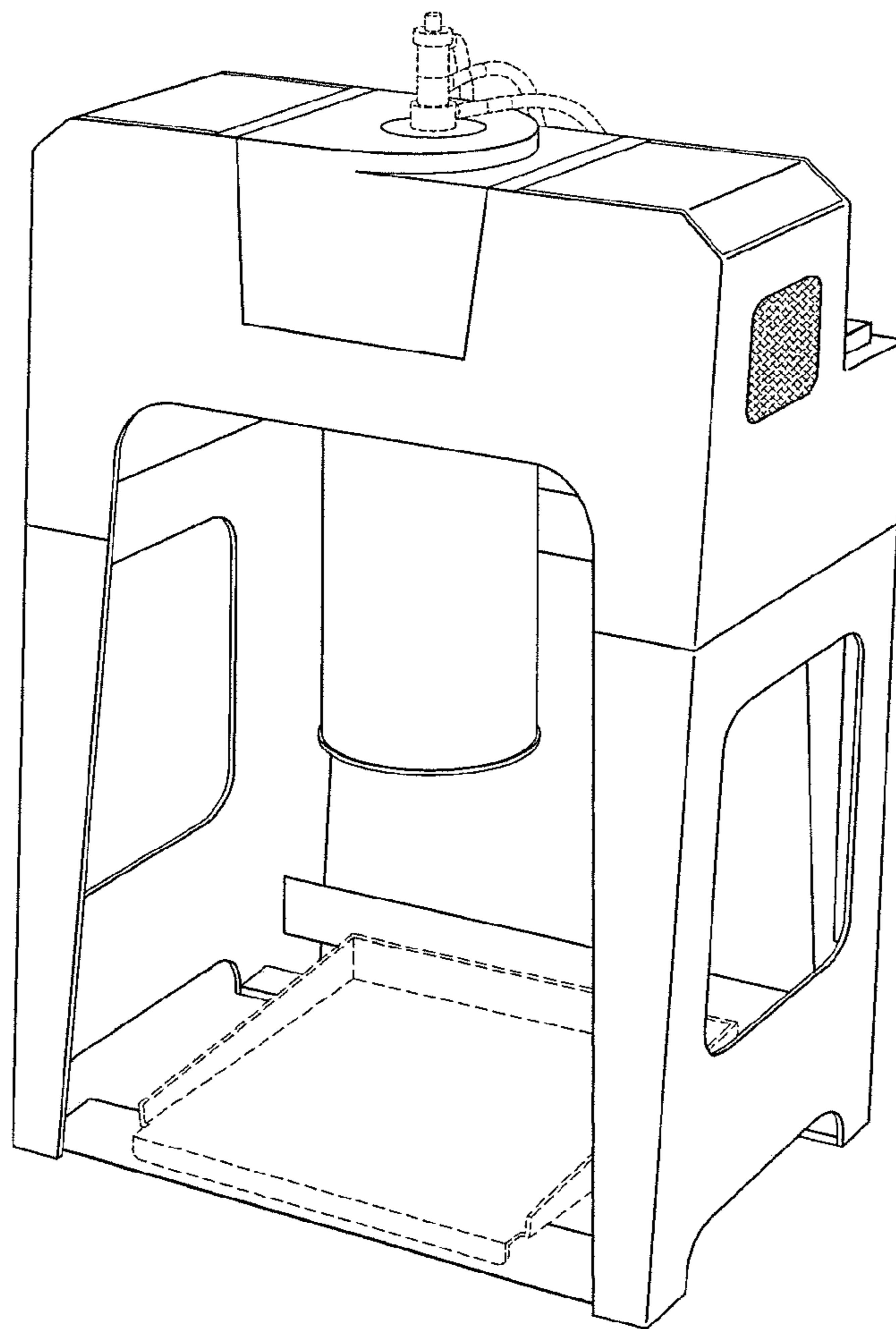


FIG. 1

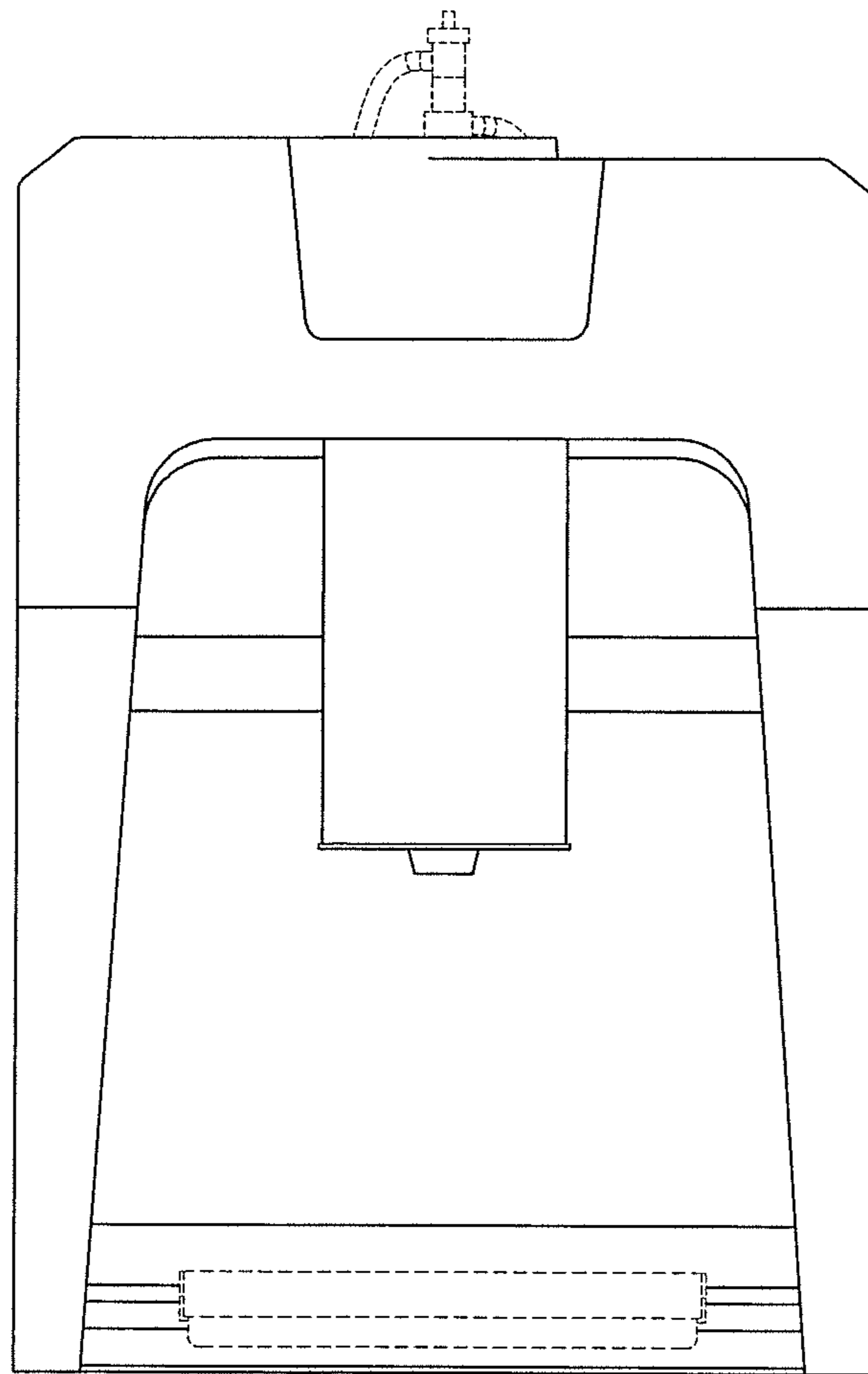


FIG. 2

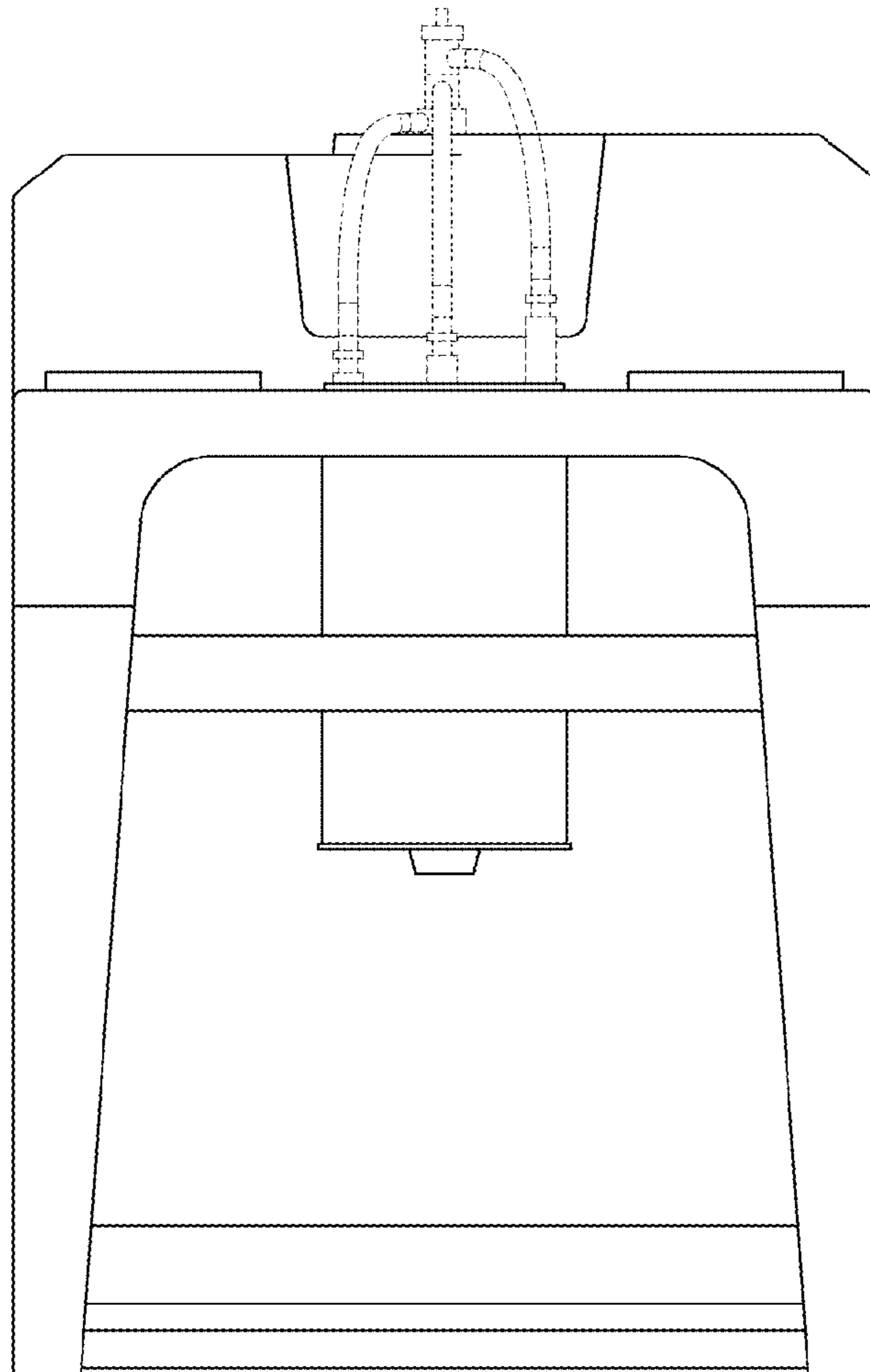


FIG. 3

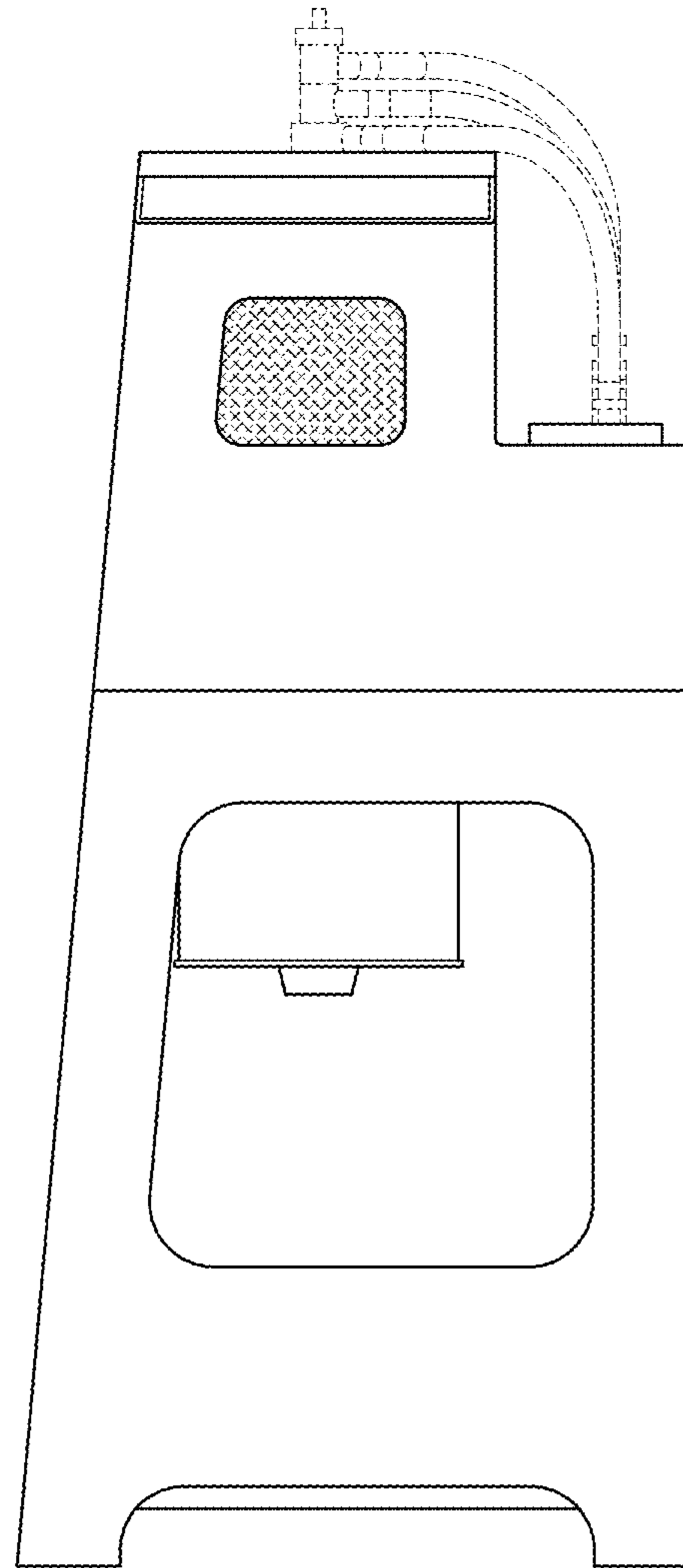


FIG. 4

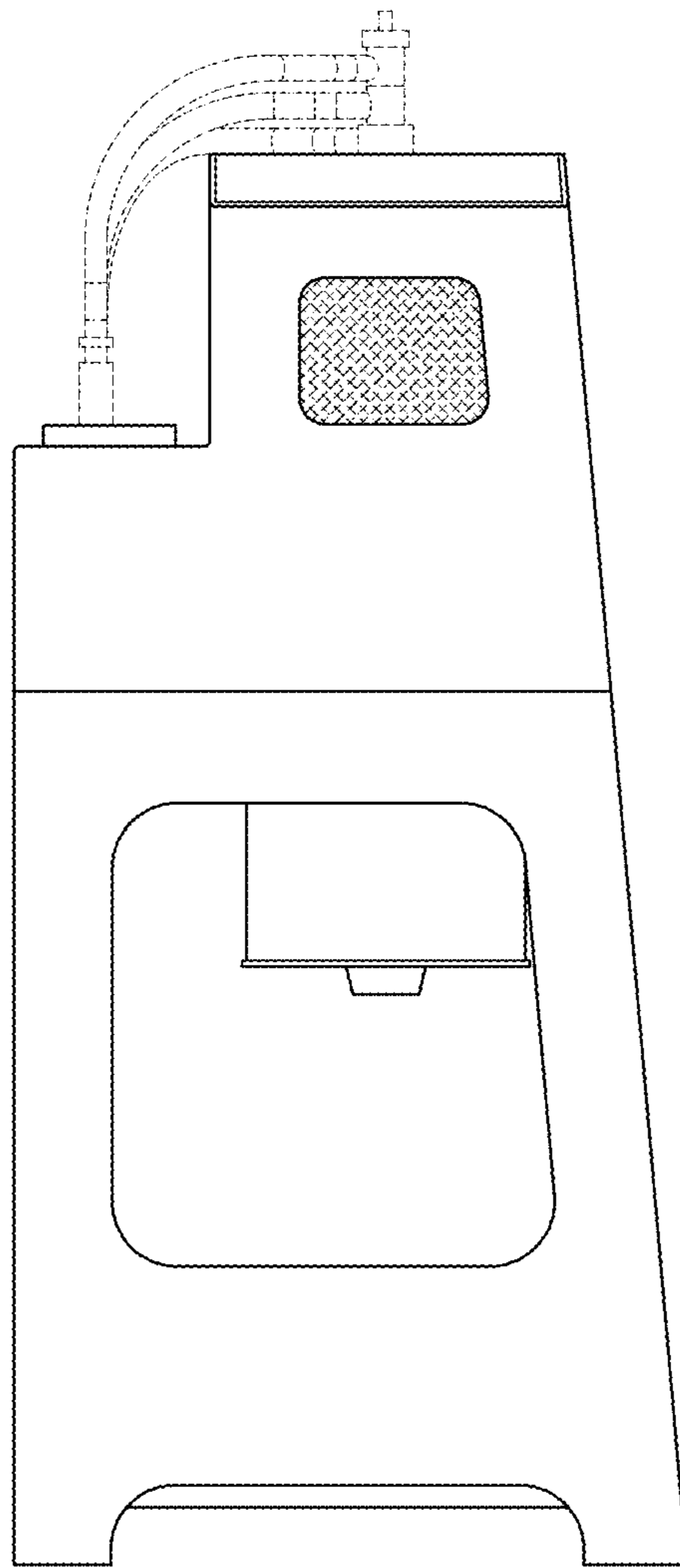


FIG. 5

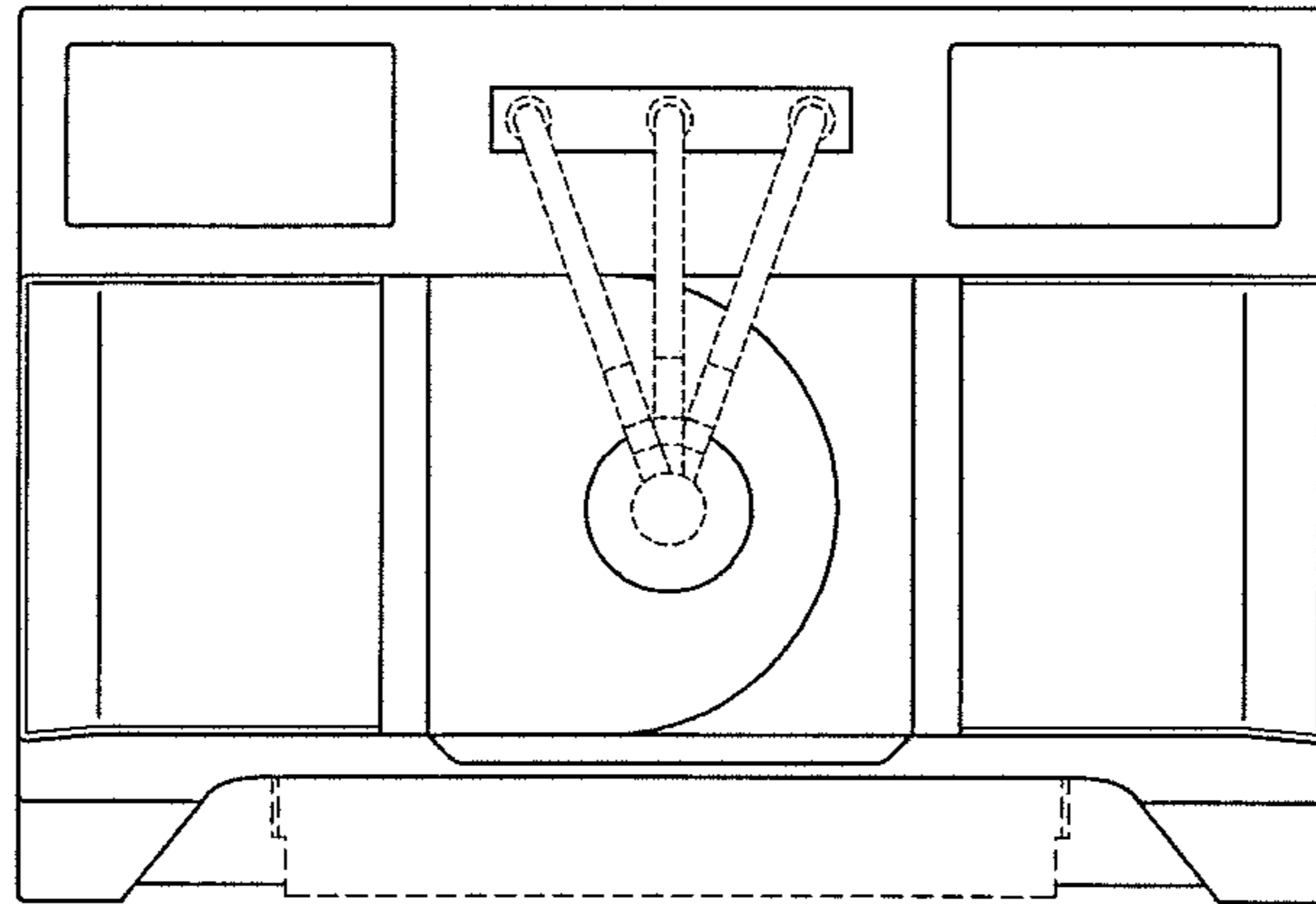


FIG. 6

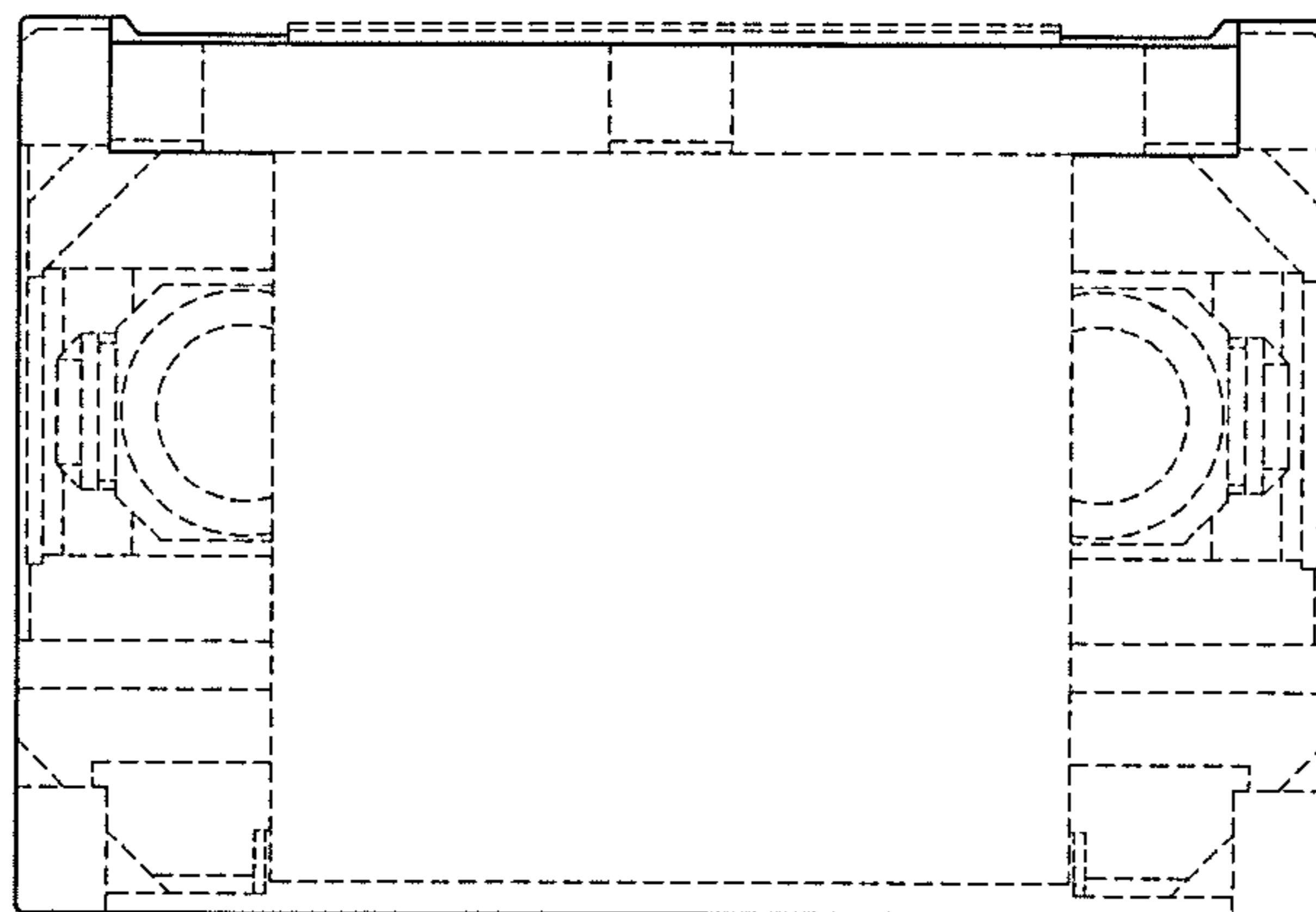


FIG. 7