



US00D707735S

(12) **United States Design Patent**  
**Cho et al.**

(10) **Patent No.:** **US D707,735 S**  
(45) **Date of Patent:** **\*\* Jun. 24, 2014**

(54) **DOOR FOR REFRIGERATOR**

(71) Applicant: **LG Electronics Inc.**, Seoul (KR)  
(72) Inventors: **Kyeongchul Cho**, Gwangmyeong-si (KR); **Seonkyu Kim**, Seoul (KR); **Hyun Choi**, Gwacheon-si (KR); **Seungjin Yoon**, Hanam-si (KR)

(73) Assignee: **LG Electronics Inc.**, Seoul (KR)

(\*\*) Term: **14 Years**

(21) Appl. No.: **29/452,078**

(22) Filed: **Apr. 11, 2013**

(30) **Foreign Application Priority Data**

Oct. 11, 2012 (KR) ..... 30-2012-0048441

(51) **LOC (10) Cl.** ..... **15-07**

(52) **U.S. Cl.**  
USPC ..... **D15/91**

(58) **Field of Classification Search**  
USPC ..... D15/79-89, 91; 312/400-408,  
312/112-119, 236, 138.1; 62/3.6-3.64,  
62/236, 293, 331, 440-445, 467, 246-255  
See application file for complete search history.

(56) **References Cited**

U.S. PATENT DOCUMENTS

D646,308	S	*	10/2011	Kristiansen et al.	.....	D15/91
D647,927	S	*	11/2011	Lee et al.	.....	D15/85
D648,359	S	*	11/2011	Yu et al.	.....	D15/91
D657,805	S	*	4/2012	Cho et al.	.....	D15/86
D668,696	S	*	10/2012	Seo et al.	.....	D15/86
D671,151	S	*	11/2012	Seo et al.	.....	D15/86
D671,572	S	*	11/2012	Seo et al.	.....	D15/86
D685,010	S	*	6/2013	Seo et al.	.....	D15/86

\* cited by examiner

*Primary Examiner* — Mitchell Siegel

(74) *Attorney, Agent, or Firm* — Birch, Stewart, Kolasch & Birch, LLP

(57) **CLAIM**

The ornamental design for a door for refrigerator, as shown and described.

**DESCRIPTION**

FIG. 1 is a perspective view of a door for refrigerator showing our new design;  
FIG. 2 is a front view thereof;  
FIG. 3 is a rear view thereof;  
FIG. 4 is a left side view thereof;  
FIG. 5 is a right side view thereof;  
FIG. 6 is a top plan view thereof;  
FIG. 7 is a bottom plan view thereof; and,  
FIG. 8 is a reference perspective view thereof showing an example of the usage of the subject design.  
The broken lines are for illustrative purposes only and form no part of the claimed design.

**1 Claim, 7 Drawing Sheets**

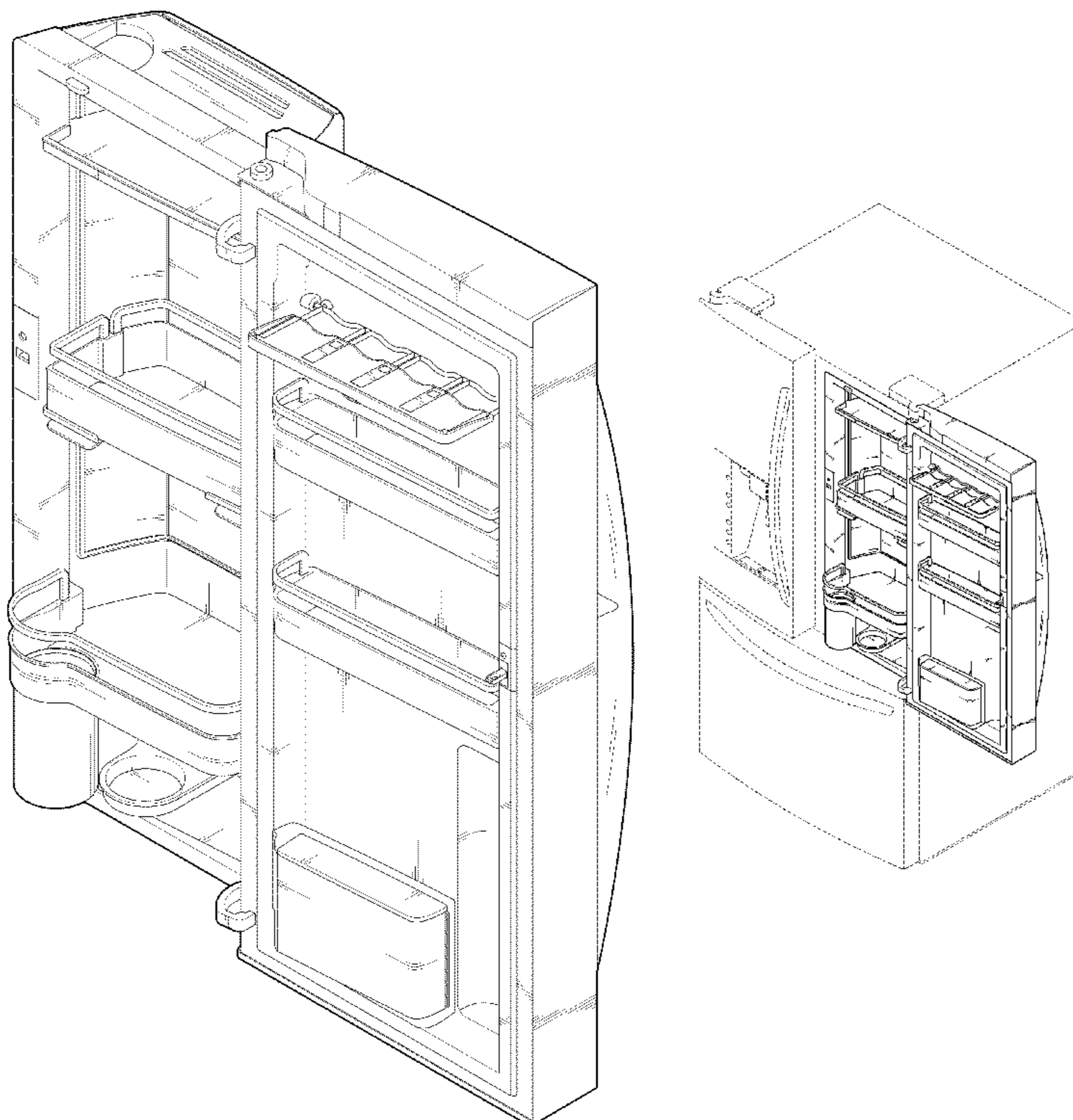


FIG. 1

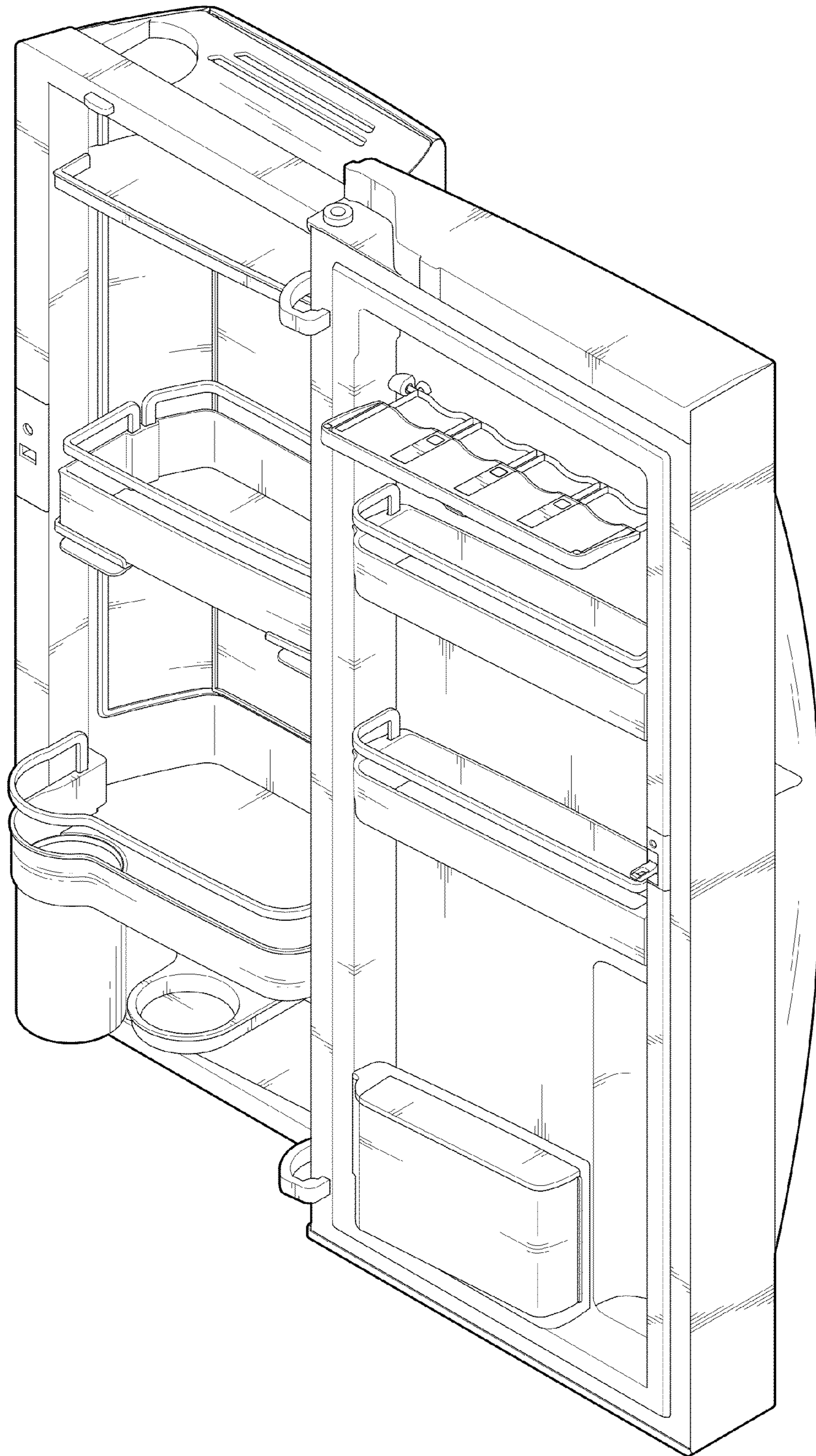


FIG. 2

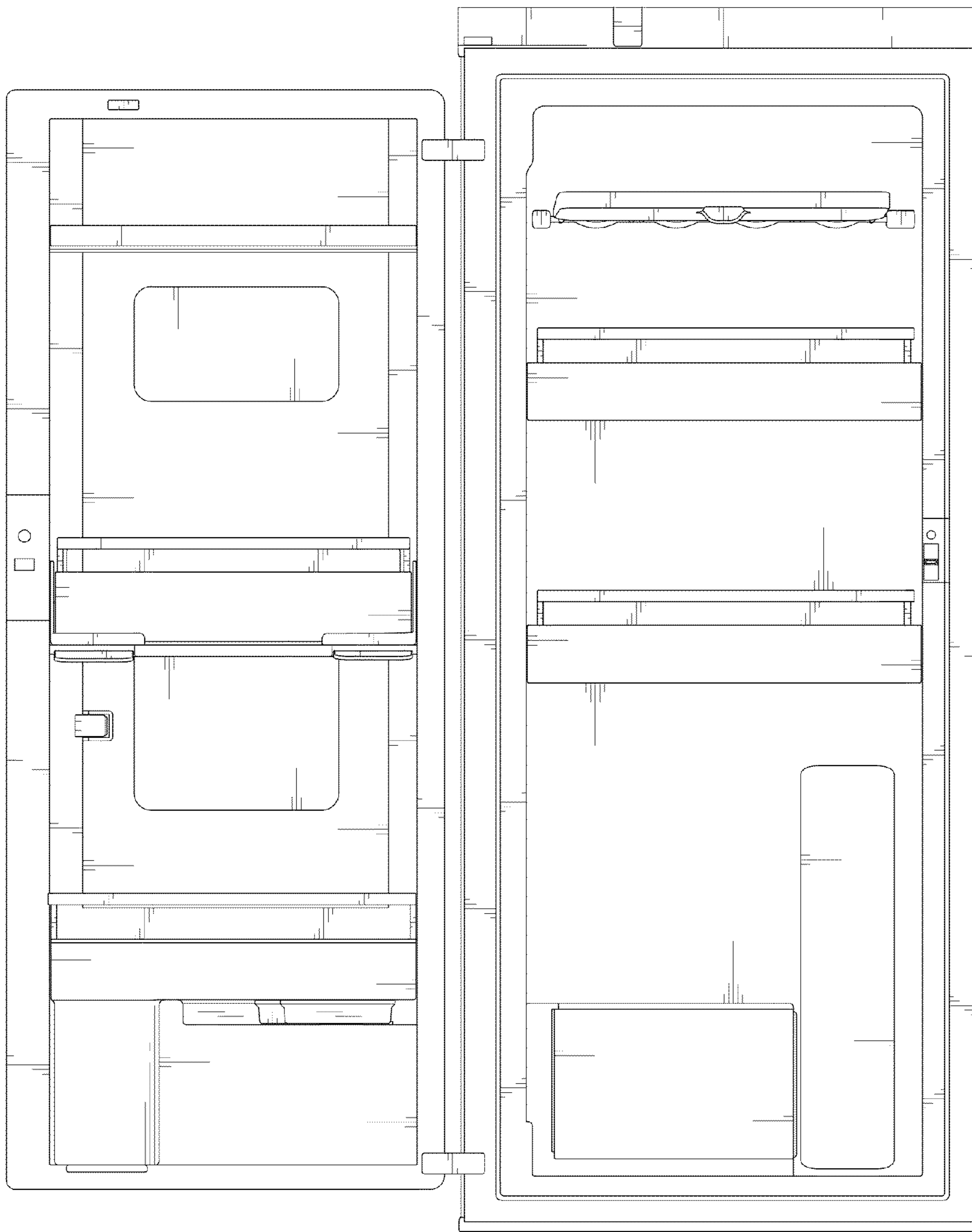


FIG. 3

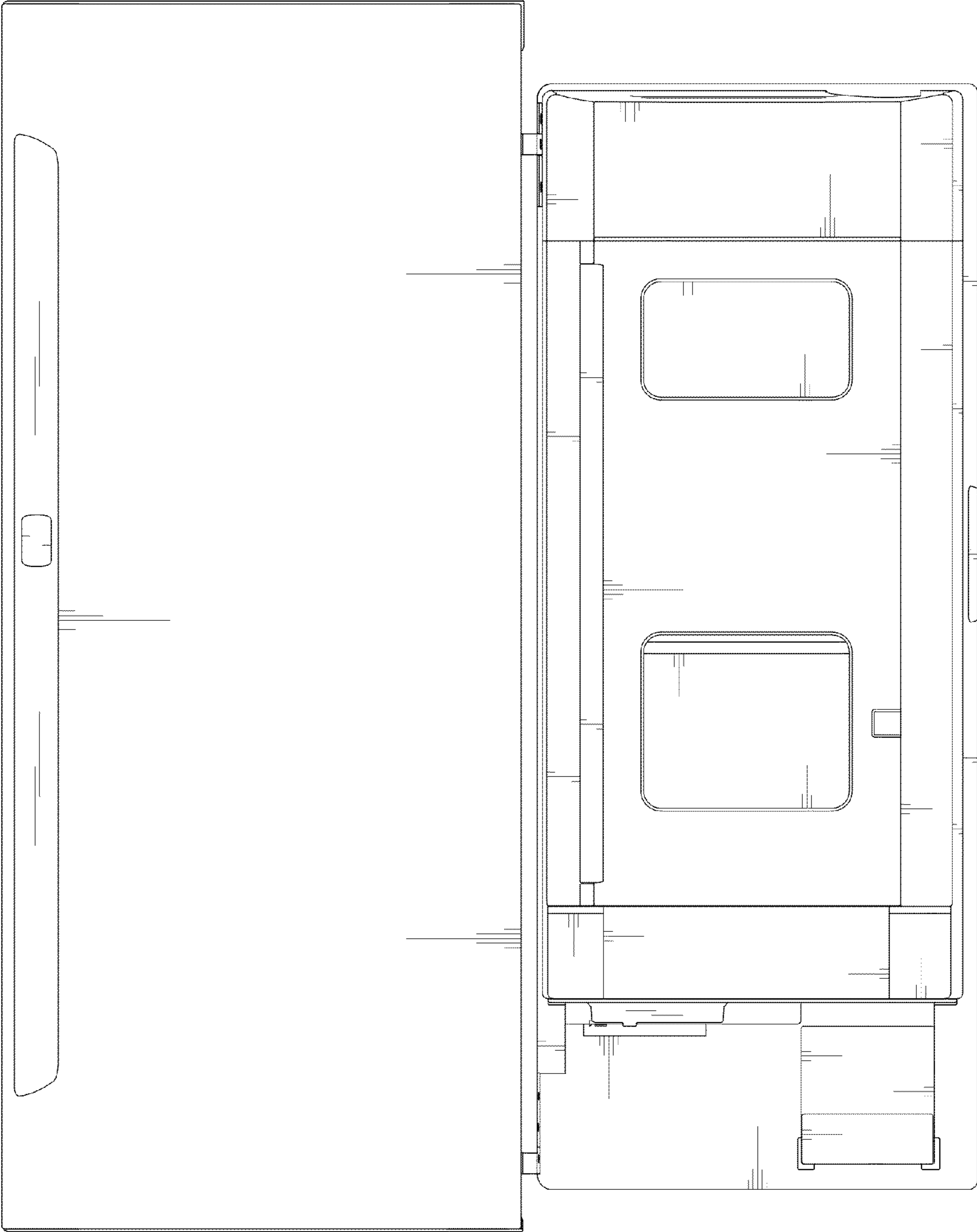


FIG. 4

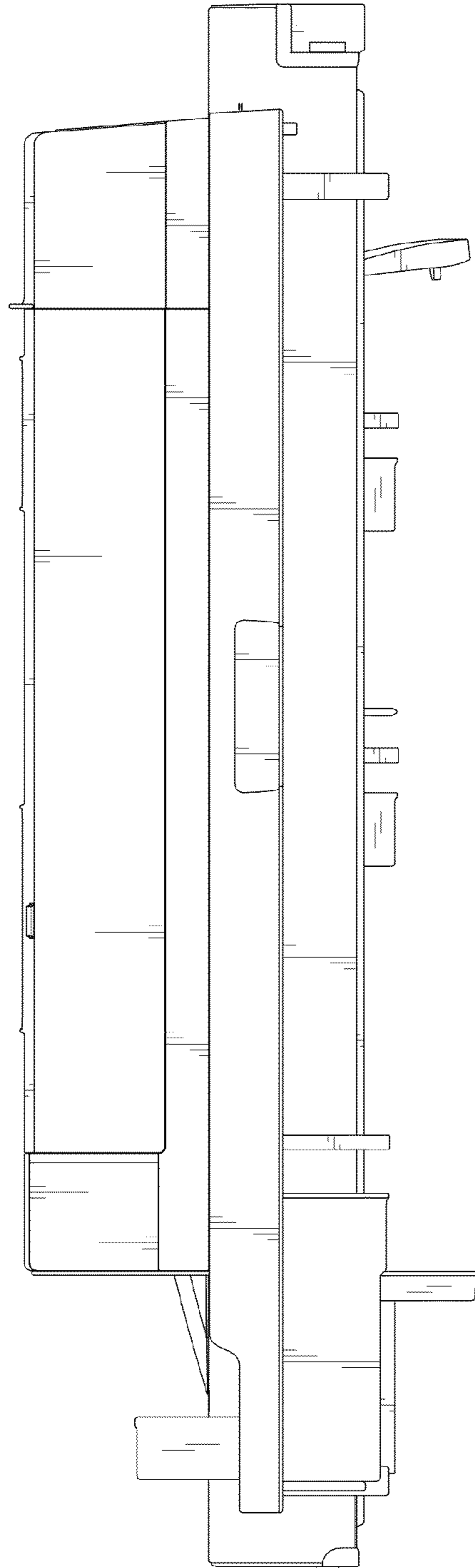


FIG. 5

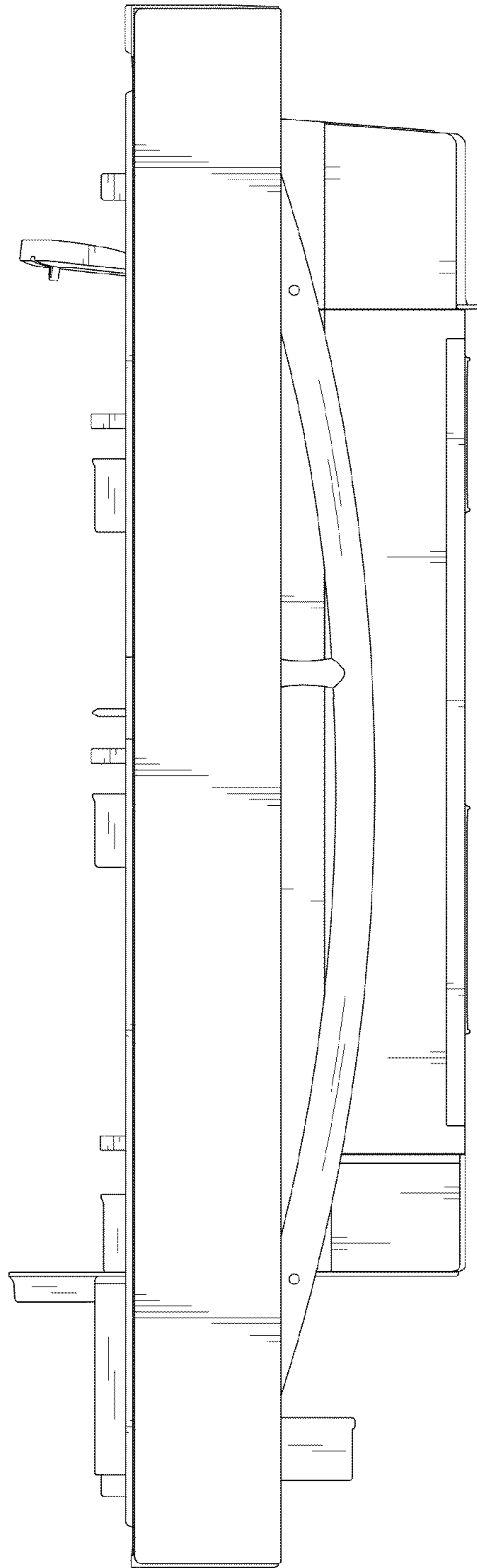


FIG. 6

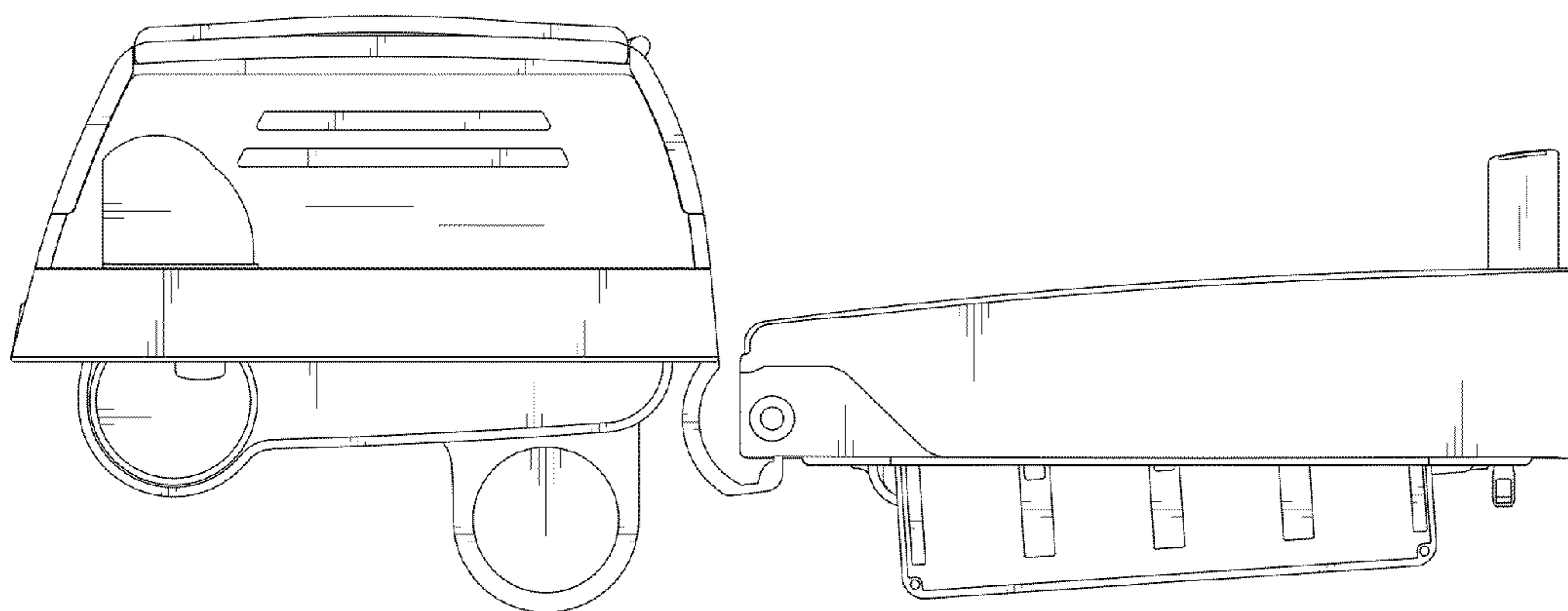


FIG. 7

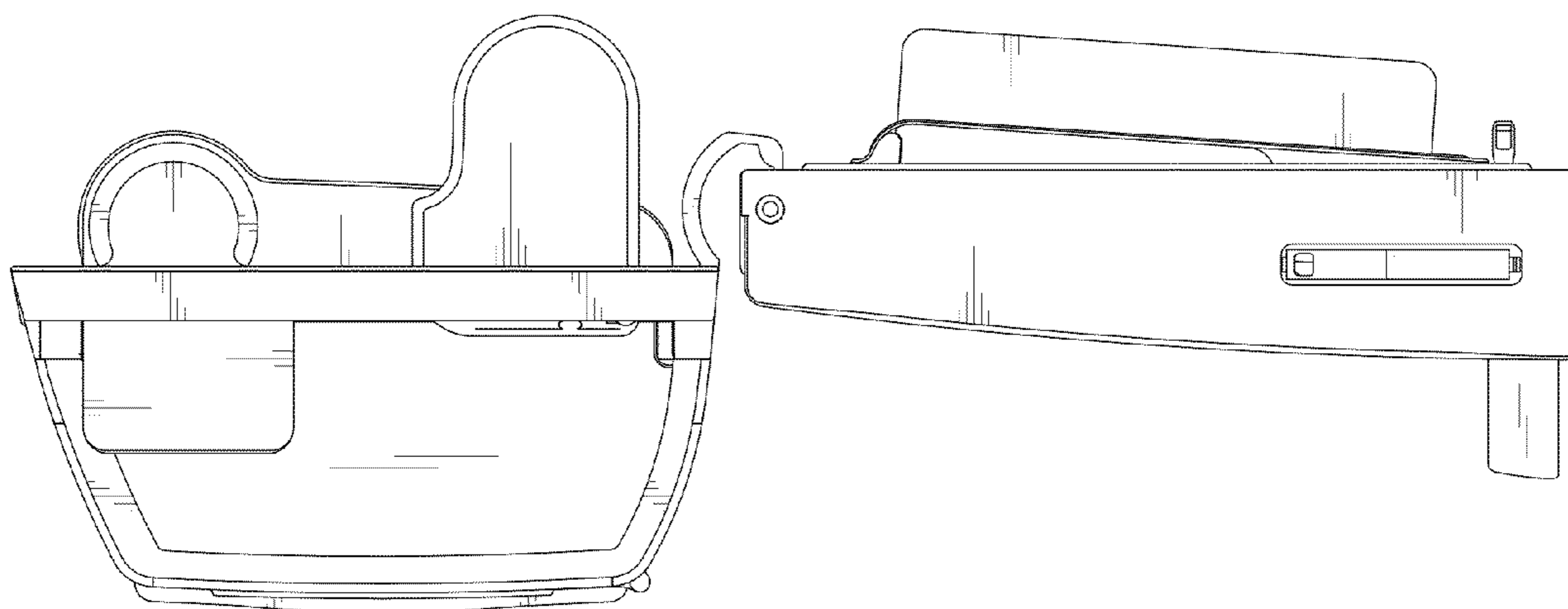


FIG. 8

