



US00D707731S

(12) **United States Design Patent**  
**Healey et al.**

(10) **Patent No.:** **US D707,731 S**  
(45) **Date of Patent:** **\*\* Jun. 24, 2014**

(54) **VEHICLE MOUNT OF A GRADER ASSEMBLY**

(71) Applicant: **Challenge Implements Holdings Pty Limited**, New South Wales (AU)

(72) Inventors: **Craig Healey**, New South Wales (AU);  
**John Healey**, New South Wales (AU);  
**Jack Rahilly**, New South Wales (AU);  
**Daniel Webb**, New South Wales (AU)

(73) Assignee: **Challenge Implements Holdings Pty Ltd**, New South Wales (AU)

(\*\*) Term: **14 Years**

(21) Appl. No.: **29/457,514**

(22) Filed: **Jun. 11, 2013**

**Related U.S. Application Data**

(63) Continuation of application No. 29/434,669, filed on Oct. 16, 2012, now abandoned.

(30) **Foreign Application Priority Data**

Apr. 17, 2012 (AU) ..... 11905/2012

(51) **LOC (10) Cl.** ..... **15-03**

(52) **U.S. Cl.**  
USPC ..... **D15/32**

(58) **Field of Classification Search**  
USPC ..... D15/10-12, 22-26, 28, 32; 37/234,  
37/407, 435, 441, 442; 172/789, 776, 788,  
172/791, 796, 797

See application file for complete search history.

(56) **References Cited**

**U.S. PATENT DOCUMENTS**

2,774,155 A 12/1956 Hipp  
3,234,669 A 2/1966 Kachnik et al.

D216,874 S \* 3/1970 Cline ..... D15/32  
D218,516 S \* 8/1970 Lesniewski et al. .... D15/32  
D219,809 S \* 2/1971 Coontz ..... D15/32  
3,598,186 A 8/1971 Coontz  
3,876,092 A \* 4/1975 MacDonald ..... 414/686  
D248,302 S 6/1978 Zoller  
4,124,080 A \* 11/1978 McCause ..... 172/445.2  
D272,250 S \* 1/1984 Larsson ..... D15/28  
4,463,507 A 8/1984 Gaub  
D284,767 S \* 7/1986 Clark et al. .... D15/33  
D331,380 S 12/1992 Craddock  
5,332,331 A \* 7/1994 Critz et al. .... 404/96  
5,411,102 A 5/1995 Nickels et al.  
5,427,185 A 6/1995 Seal  
5,529,131 A 6/1996 Van Ornum  
D395,436 S 6/1998 Hagenbuch  
5,775,438 A 7/1998 Confoey et al.

(Continued)

**OTHER PUBLICATIONS**

Australian Design Application No. 11905/2012, Grader Attachment Assembly and Components, Challenge Implements Holdings Pty Limited, Apr. 17, 2012.

*Primary Examiner* — Mark Goodwin

(74) *Attorney, Agent, or Firm* — Gordon & Jacobson, PC

(57) **CLAIM**

The ornamental design for a vehicle mount of a grader assembly, as shown and described.

**DESCRIPTION**

FIG. 1 is a perspective view of the vehicle mount of a grader assembly.

FIG. 2 is a bottom plan view thereof.

FIG. 3 is a top plan view thereof.

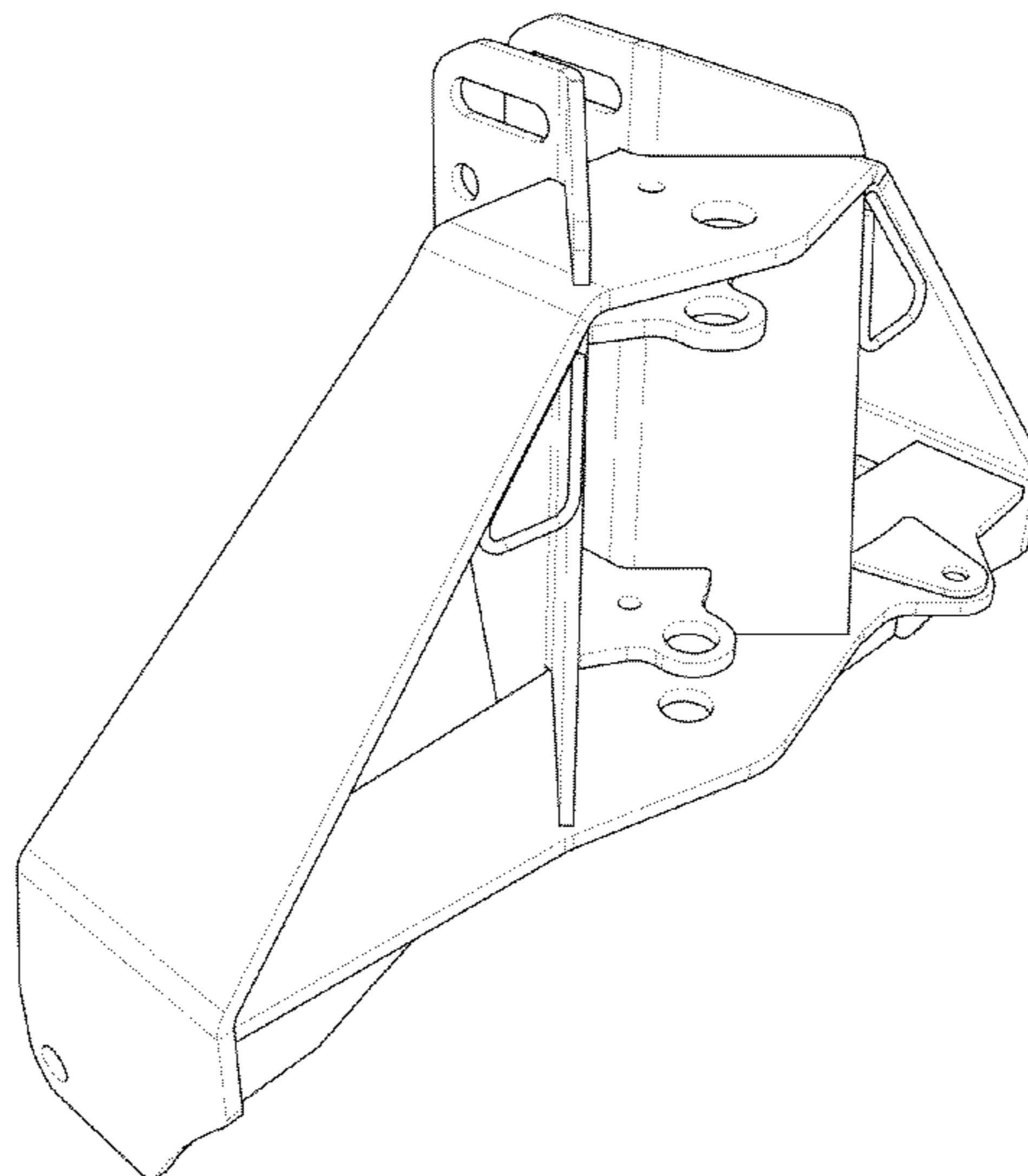
FIG. 4 is a left side view thereof.

FIG. 5 is a right side view thereof.

FIG. 6 is a rear view thereof; and,

FIG. 7 is a front view thereof.

**1 Claim, 7 Drawing Sheets**



(56)

**References Cited**

U.S. PATENT DOCUMENTS

D432,146	S *	10/2000	Lindgren et al. ....	D15/32	D623,668	S	9/2010	Bissell	
D455,762	S *	4/2002	Kaczmariski et al. ....	D15/28	D672,370	S	12/2012	Becker	
D456,821	S *	5/2002	Ege et al. ....	D15/28	D686,642	S *	7/2013	Urase et al. ....	D15/28
D457,173	S *	5/2002	Harden et al. ....	D15/28	D697,945	S *	1/2014	Healey et al. ....	D15/28
6,442,877	B1 *	9/2002	Quenzi et al. ....	37/281	D697,946	S *	1/2014	Healey et al. ....	D15/32
6,585,059	B2 *	7/2003	Michael et al. ....	172/811	2005/0102866	A1 *	5/2005	Sewell et al. ....	37/411
					2007/0134081	A1 *	6/2007	Seabolt ....	414/723
					2009/0146119	A1 *	6/2009	Bailey et al. ....	254/323
					2010/0008723	A1 *	1/2010	Gordon ....	404/75

\* cited by examiner

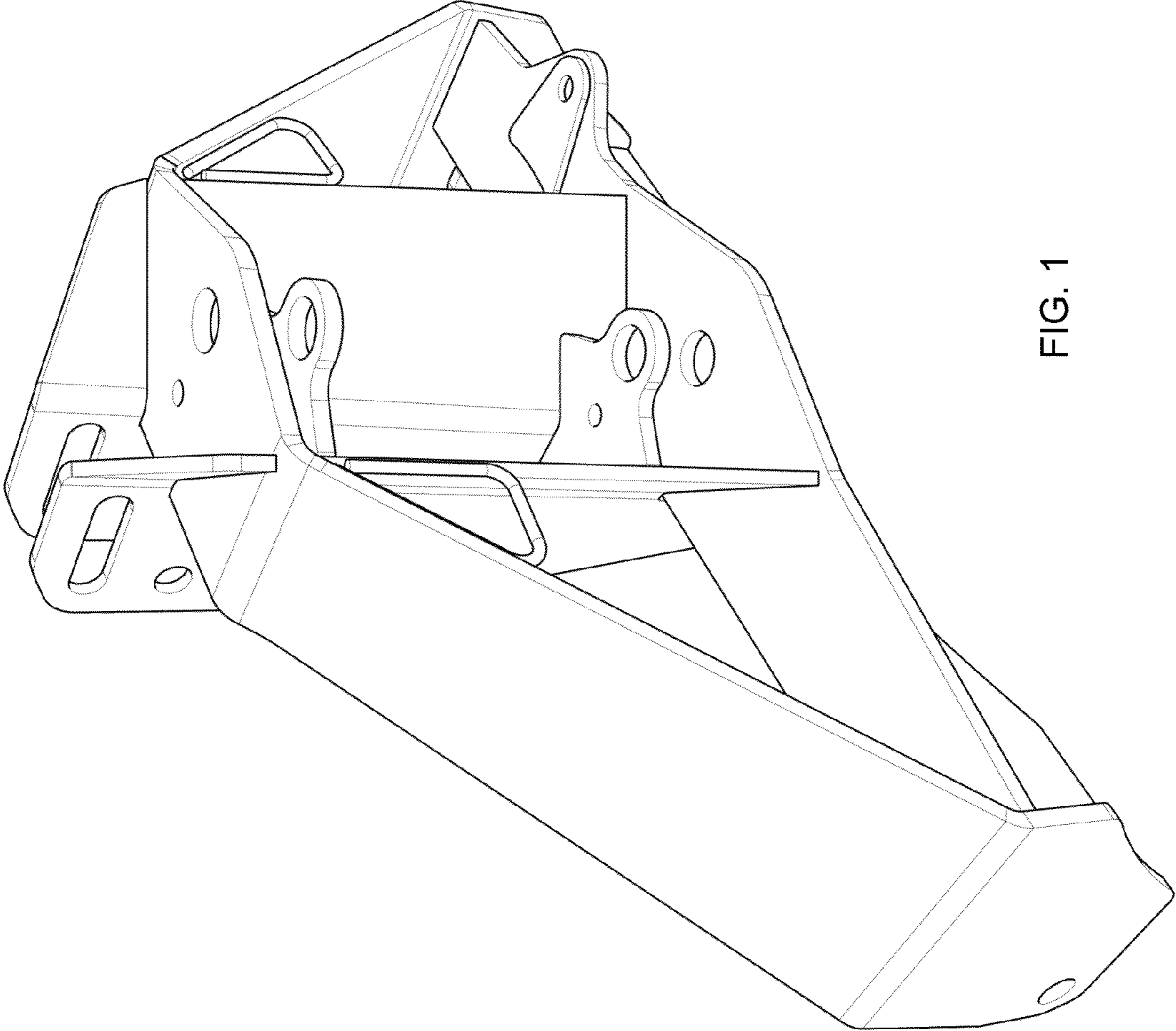


FIG. 1

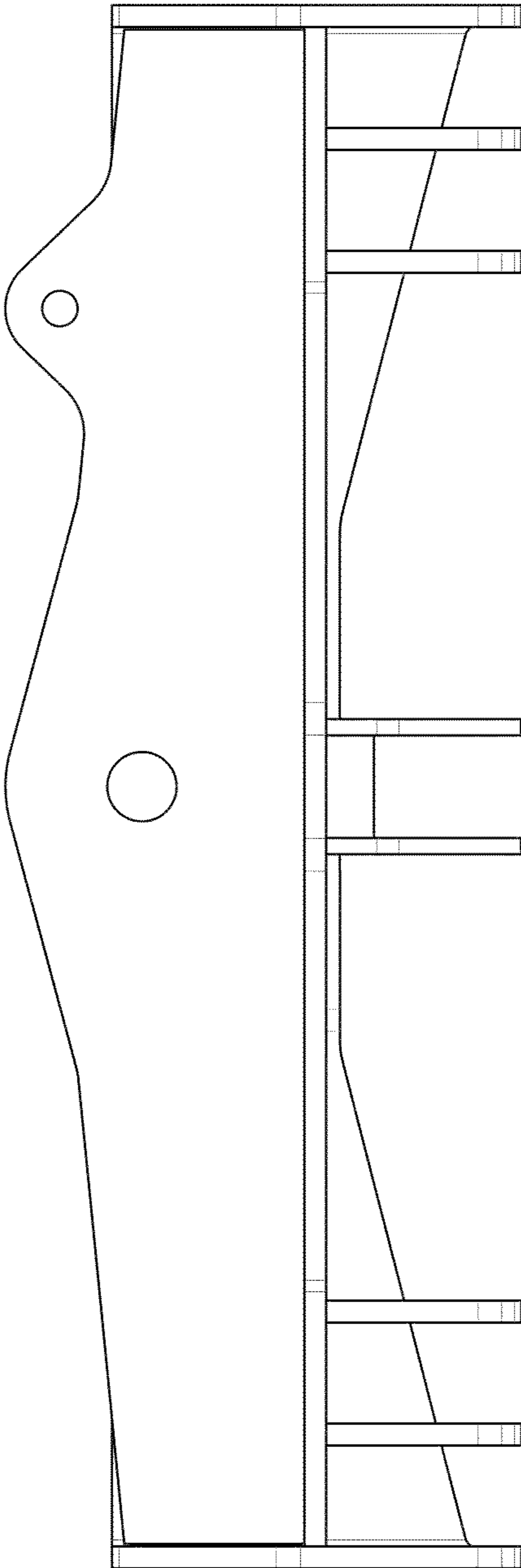


FIG. 2

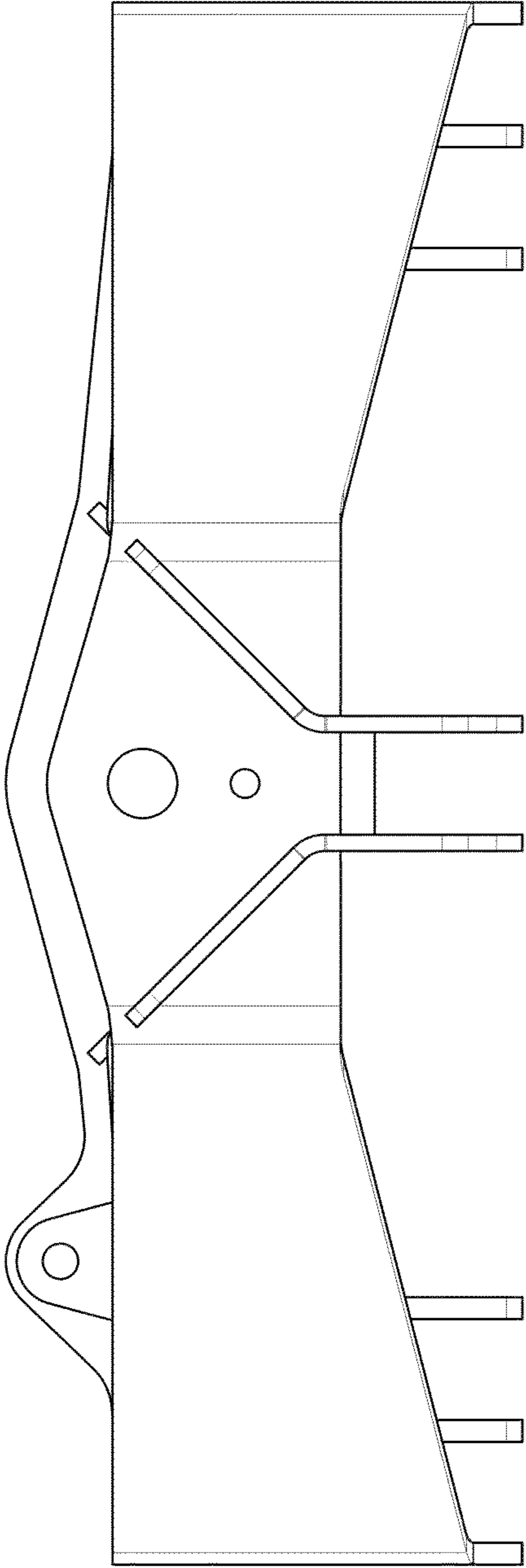


FIG. 3

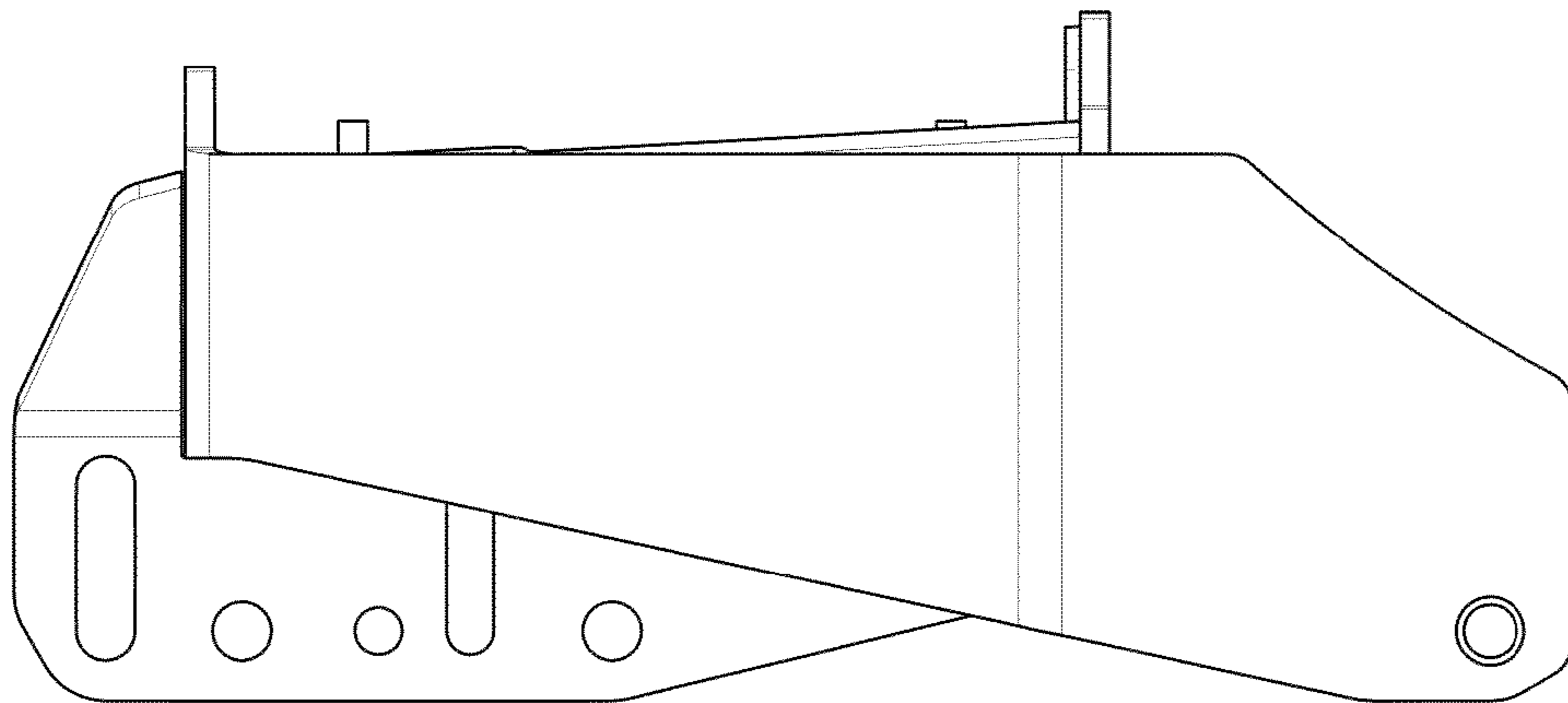


FIG. 4

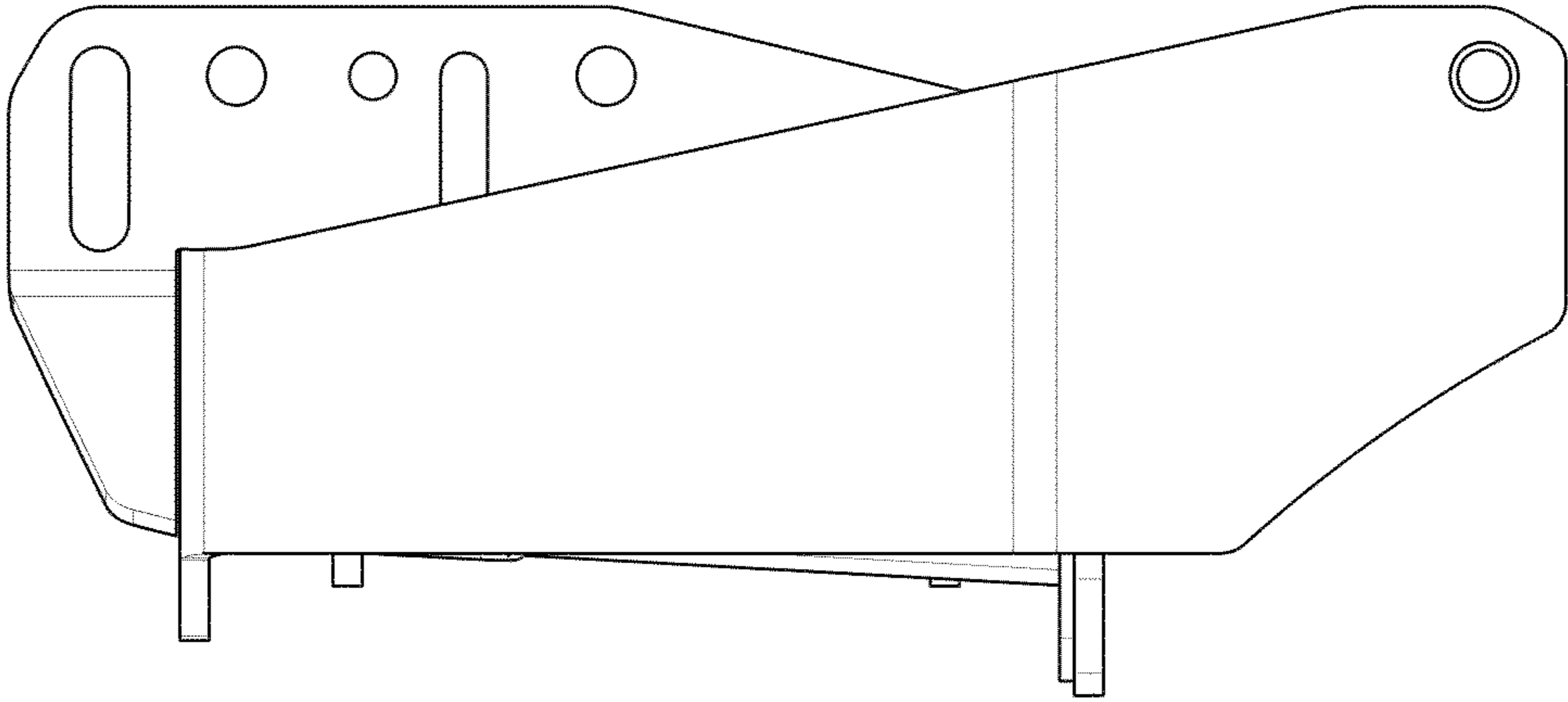


FIG. 5

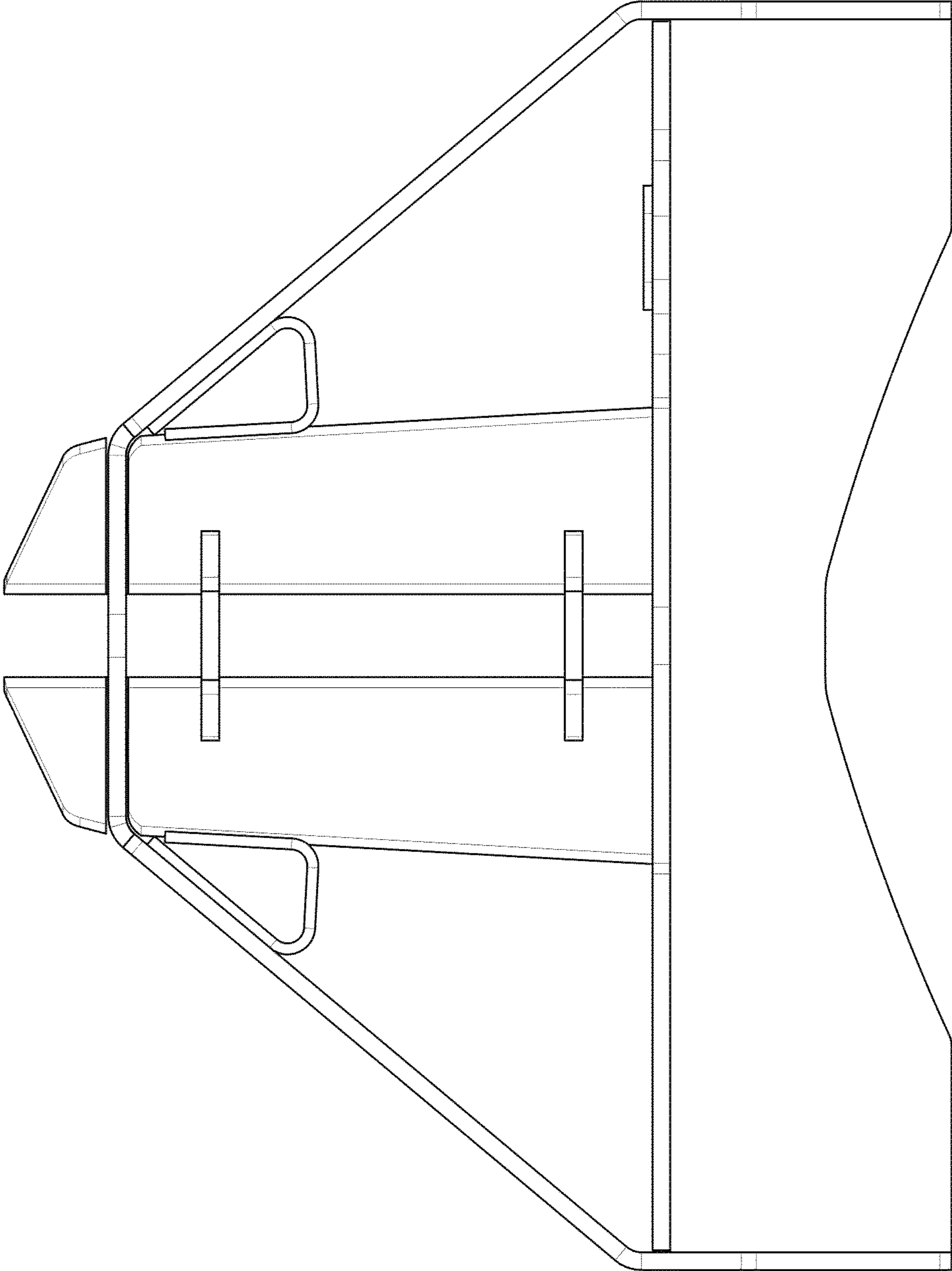


FIG. 6



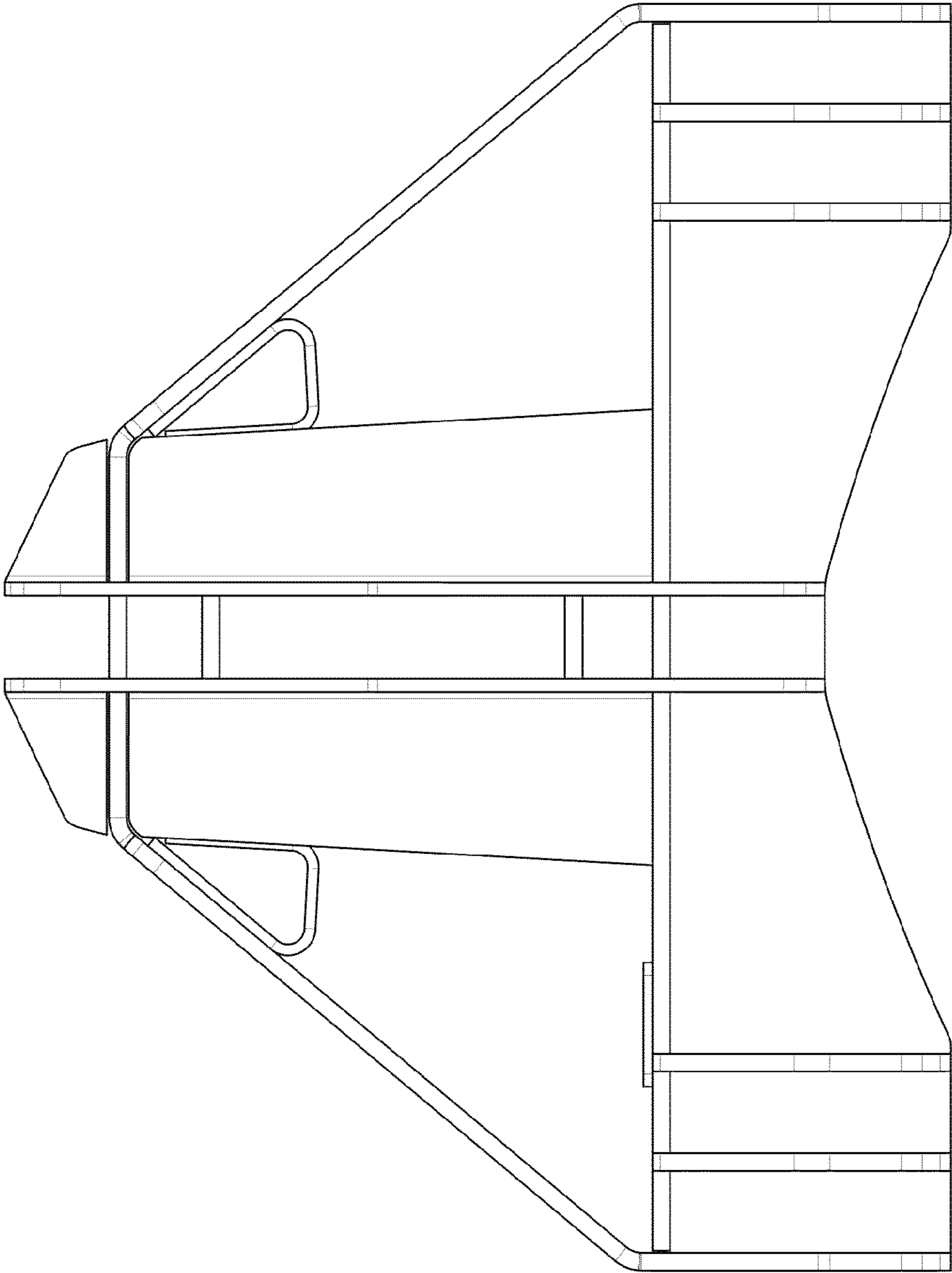


FIG. 7