



US00D707728S

(12) **United States Design Patent**
Imashige et al.

(10) **Patent No.:** **US D707,728 S**
(45) **Date of Patent:** **** Jun. 24, 2014**

(54) **CAB FOR CONSTRUCTION MACHINE**

(71) Applicant: **Kobelco Construction Machinery Co., Ltd.**, Hiroshima (JP)

(72) Inventors: **Hirokazu Imashige**, Hiroshima (JP); **Shintaro Sakitani**, Hiroshima (JP); **Isao Miyachi**, Hiroshima (JP); **Masashi Yoneda**, Hiroshima (JP); **Kaoru Adachi**, Hiroshima (JP)

(73) Assignee: **Kobelco Construction Machinery Co., Ltd.**, Hiroshima (JP)

(**) Term: **14 Years**

(21) Appl. No.: **29/475,052**

(22) Filed: **Nov. 27, 2013**

(30) **Foreign Application Priority Data**

Jun. 12, 2013 (JP) 2013-013227

(51) **LOC (10) Cl.** **15-03**

(52) **U.S. Cl.**
USPC **D15/30**

(58) **Field of Classification Search**
USPC D15/10, 22-26, 28, 30, 31; 180/89.11,
180/89.12, 89.13, 89.19, 900; 296/190.01,
296/190.08, 210, 190, 202

See application file for complete search history.

(56) **References Cited**

U.S. PATENT DOCUMENTS

D249,523 S *	9/1978	Segales	D15/30
D273,494 S *	4/1984	Hurlburt et al.	D15/30
D275,199 S *	8/1984	Schmidt et al.	D15/30
D288,206 S *	2/1987	Moscovitch	D15/30
D292,632 S *	11/1987	Lich	D34/37
D323,659 S *	2/1992	Jacobsson	D15/30
D348,270 S *	6/1994	Lehmann-Brendel et al.	D15/30
D366,267 S *	1/1996	Lepoix	D15/30
D450,331 S	11/2001	Murakami et al.	

D463,462 S *	9/2002	Yanagida et al.	D15/30
D479,536 S *	9/2003	Dahl et al.	D15/30
D497,920 S *	11/2004	Antonetti	D15/30
D508,498 S	8/2005	Shimokakiuchi et al.	
D523,029 S *	6/2006	Crawford et al.	D15/30
D528,134 S *	9/2006	Vandendriessche et al. ..	D15/30
D531,647 S *	11/2006	Stender et al.	D15/30
D541,825 S *	5/2007	Pettersson	D15/30
D541,826 S *	5/2007	Brush et al.	D15/30
D561,205 S *	2/2008	Pettersson	D15/30
D579,028 S *	10/2008	VanDeVeer et al.	D15/30
D605,207 S *	12/2009	Menges et al.	D15/30
D614,674 S *	4/2010	Hobenshield et al.	D15/30
D635,156 S *	3/2011	Berning et al.	D15/30
D636,795 S *	4/2011	Yamamoto et al.	D15/30
D637,630 S *	5/2011	Yamamoto et al.	D15/30
D642,205 S *	7/2011	Yamamoto et al.	D15/30

FOREIGN PATENT DOCUMENTS

JP	1105409 S	4/2001
JP	1105566 S	4/2001
JP	1113460 S	7/2001

* cited by examiner

Primary Examiner — Mark Goodwin

(74) *Attorney, Agent, or Firm* — Birch, Stewart, Kolasch & Birch, LLP

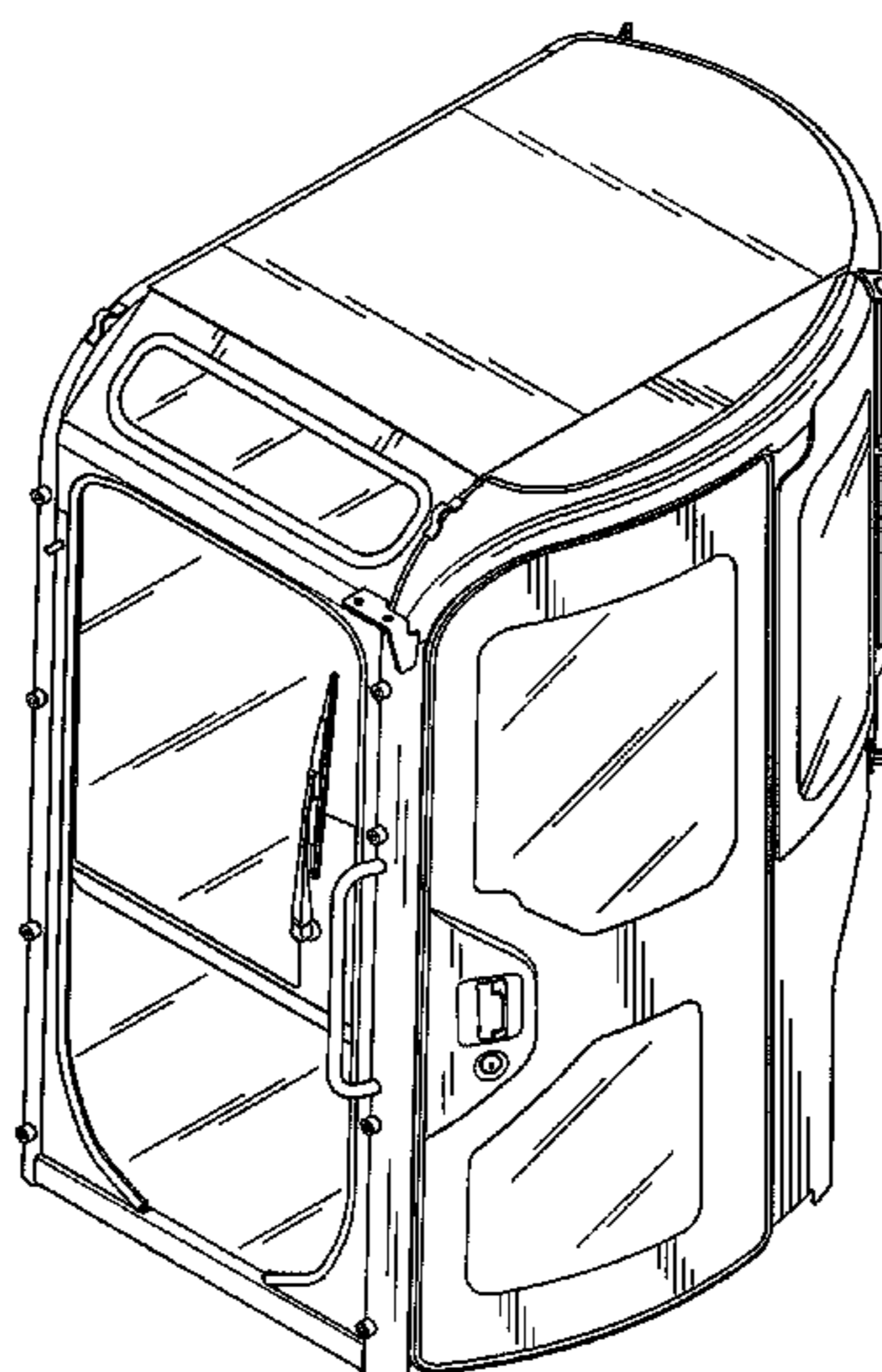
(57) **CLAIM**

The ornamental design for a cab for construction machine, as shown and described.

DESCRIPTION

FIG. 1 is a first perspective view of a cab for construction machine showing our new design;
FIG. 2 is a second perspective view thereof;
FIG. 3 is a front view thereof;
FIG. 4 is a rear view thereof;
FIG. 5 is a left side view thereof;
FIG. 6 is a right side view thereof;
FIG. 7 is a top view thereof; and,
FIG. 8 is a bottom view thereof.

1 Claim, 8 Drawing Sheets



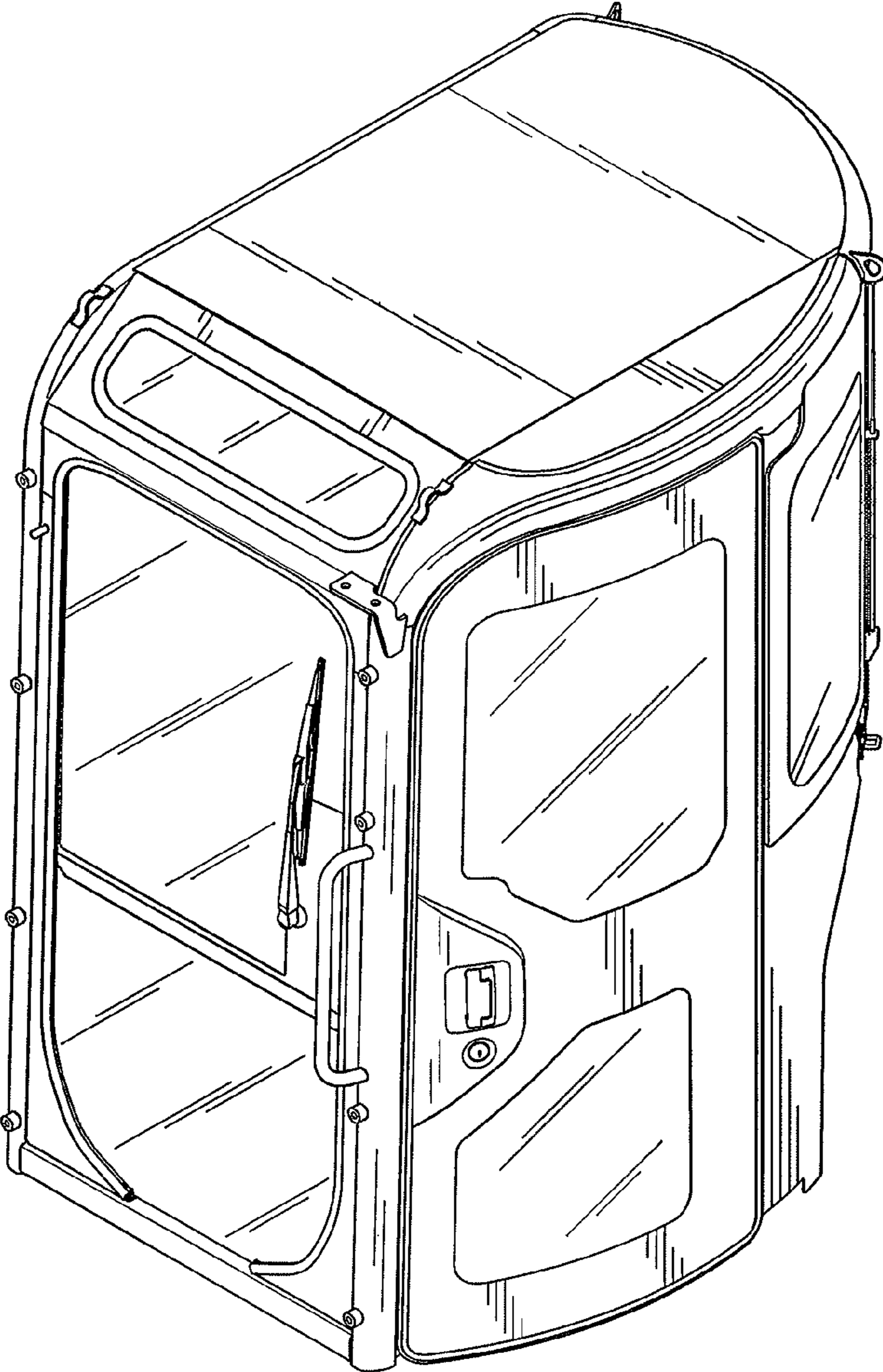


FIG. 1

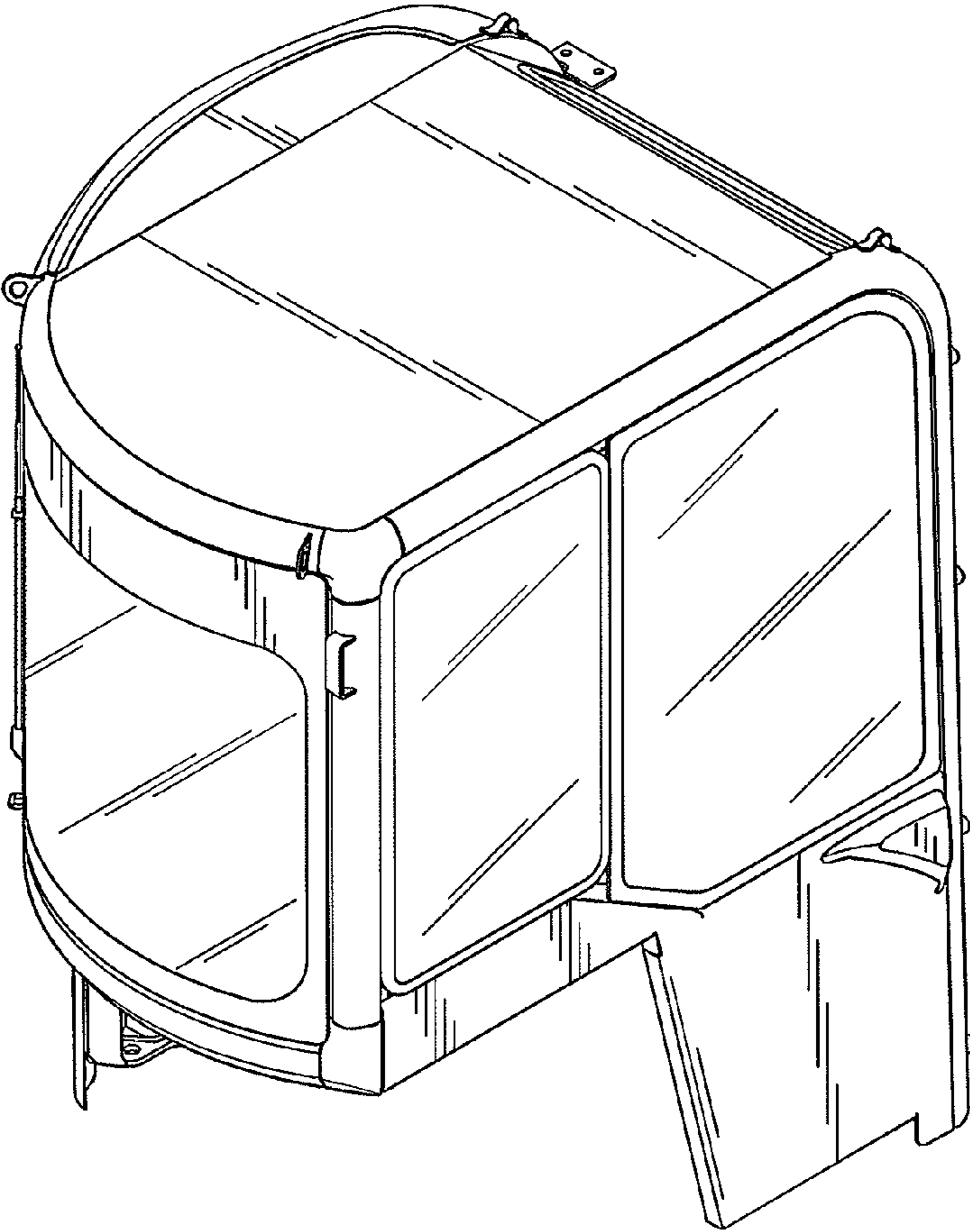


FIG.2

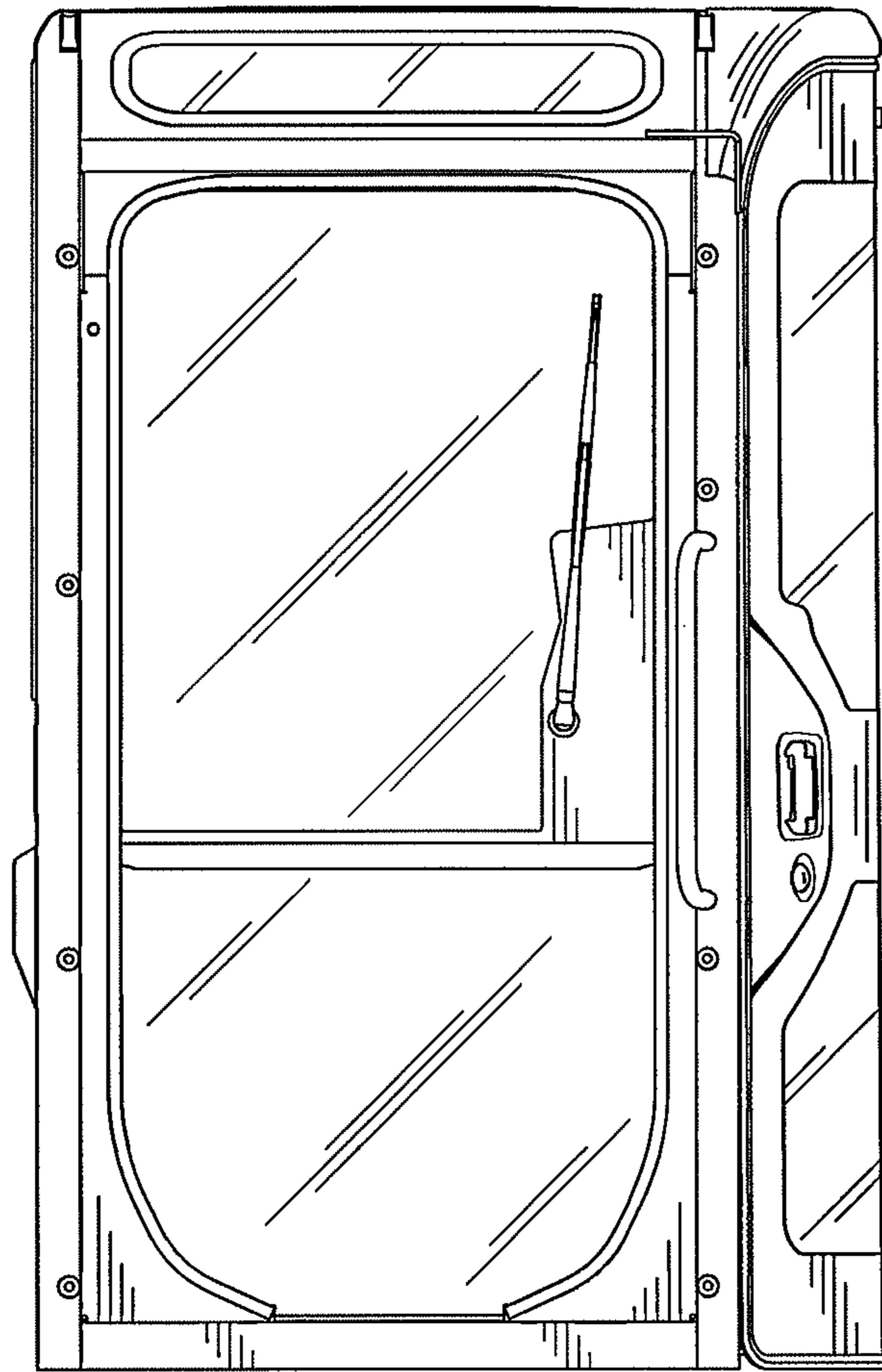


FIG.3

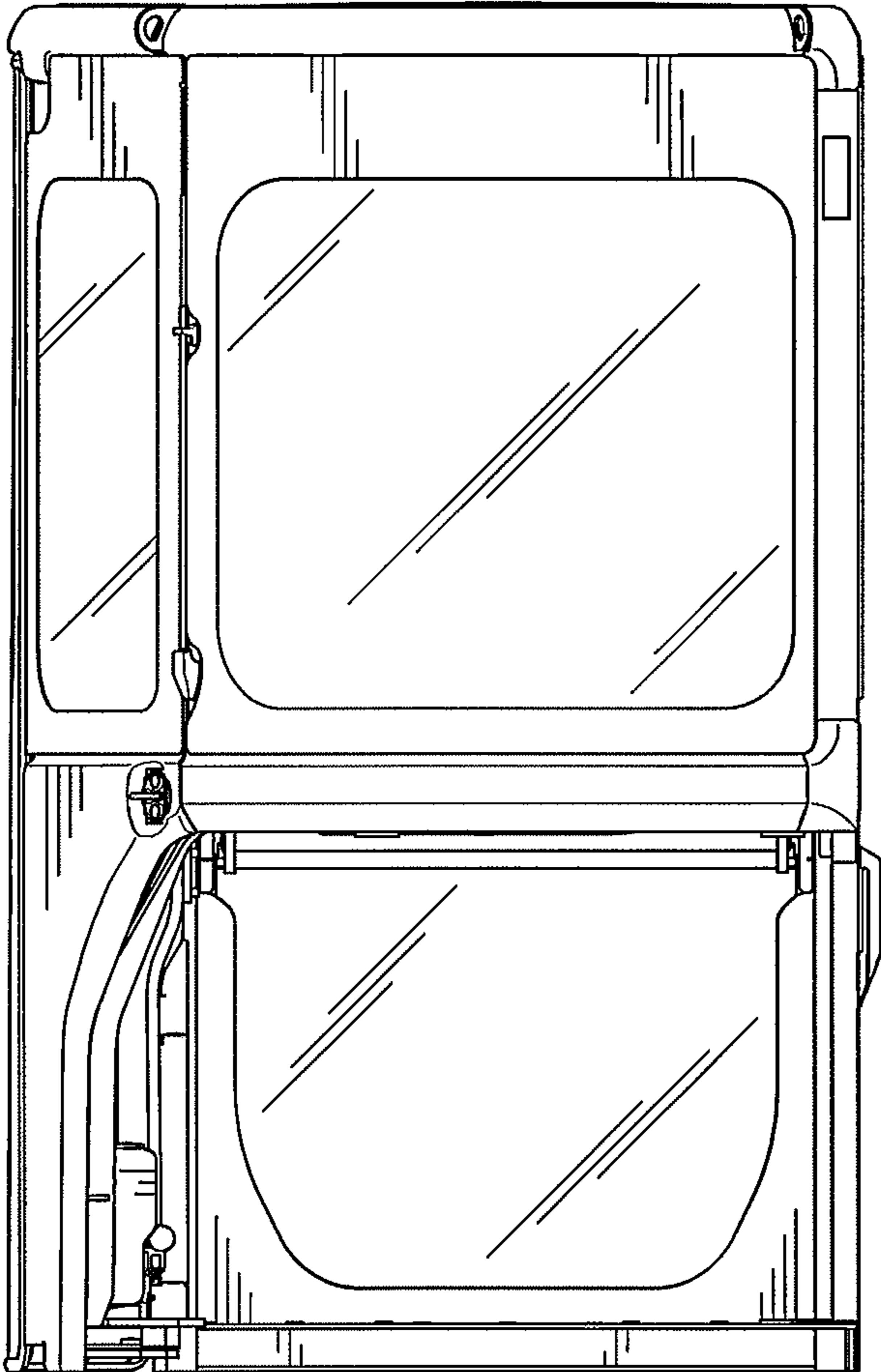


FIG.4

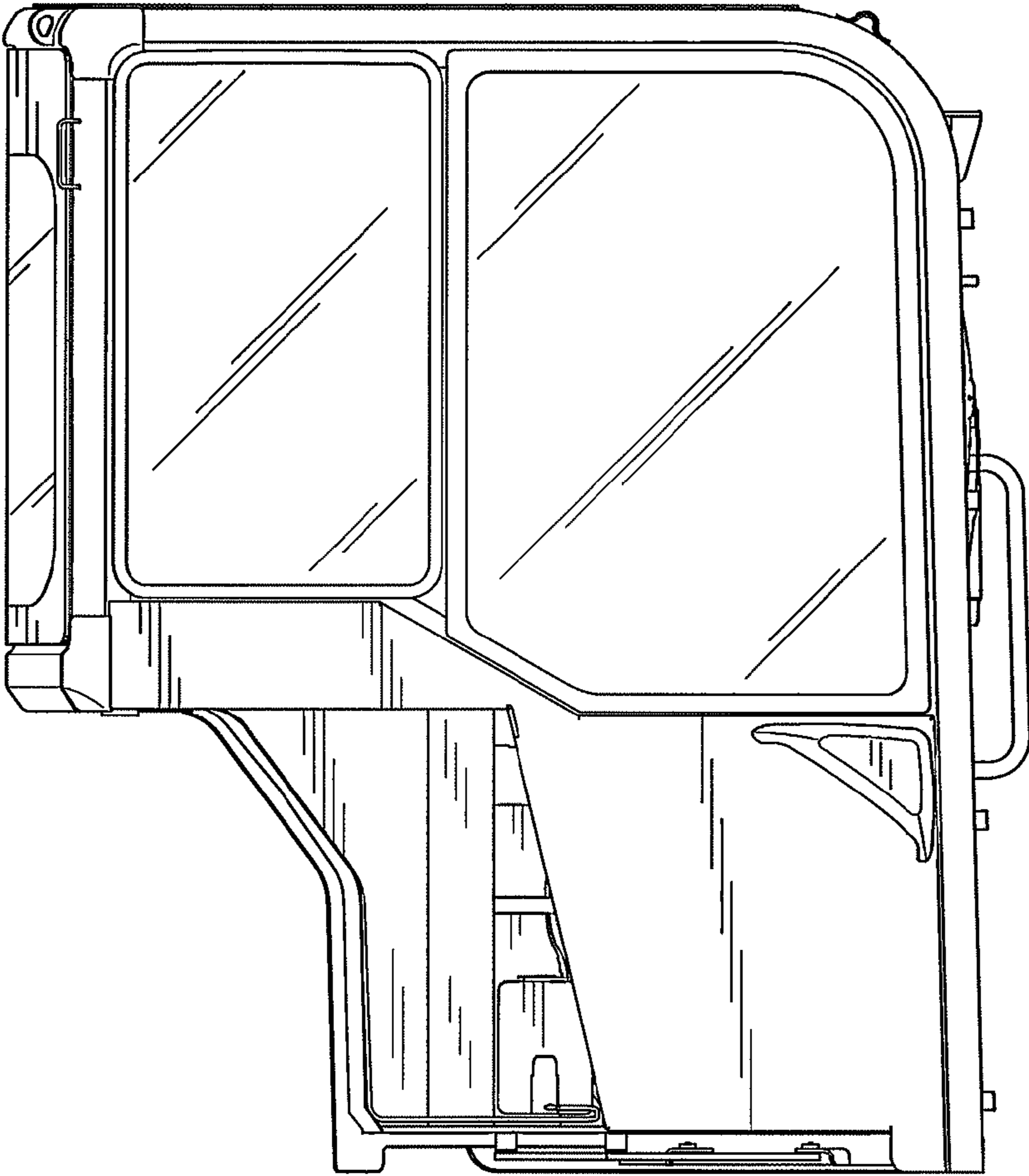


FIG.5

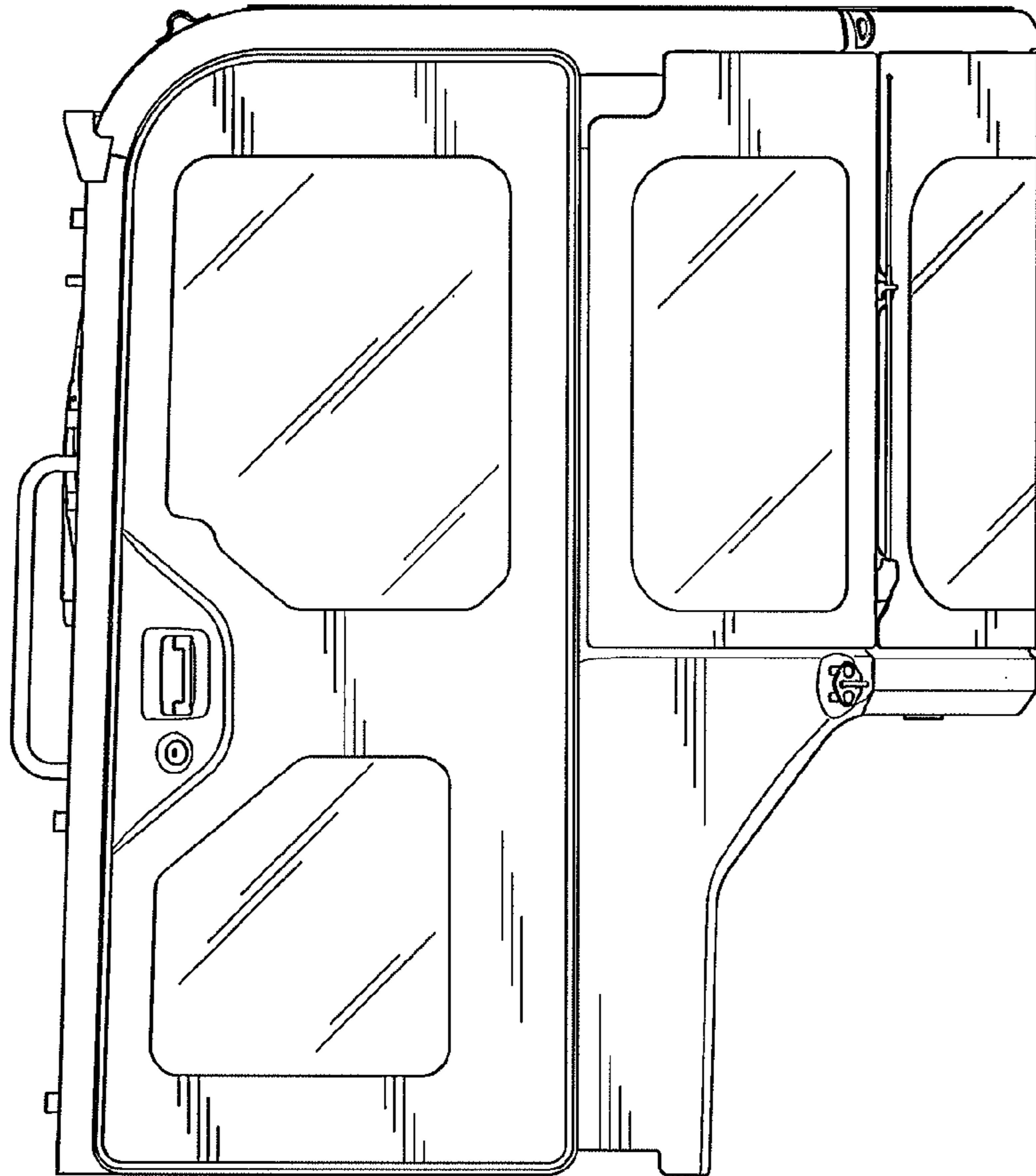


FIG.6

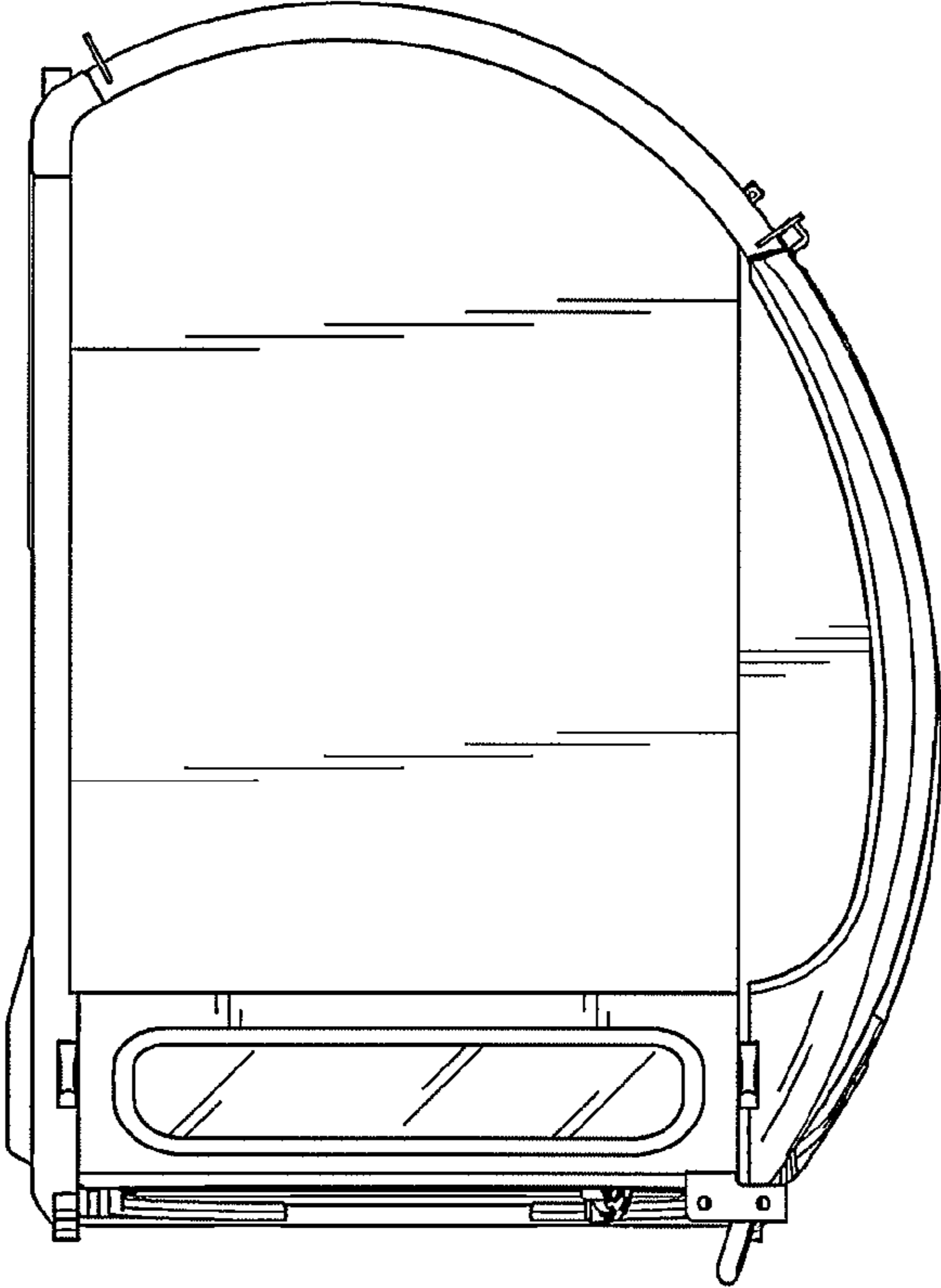


FIG.7

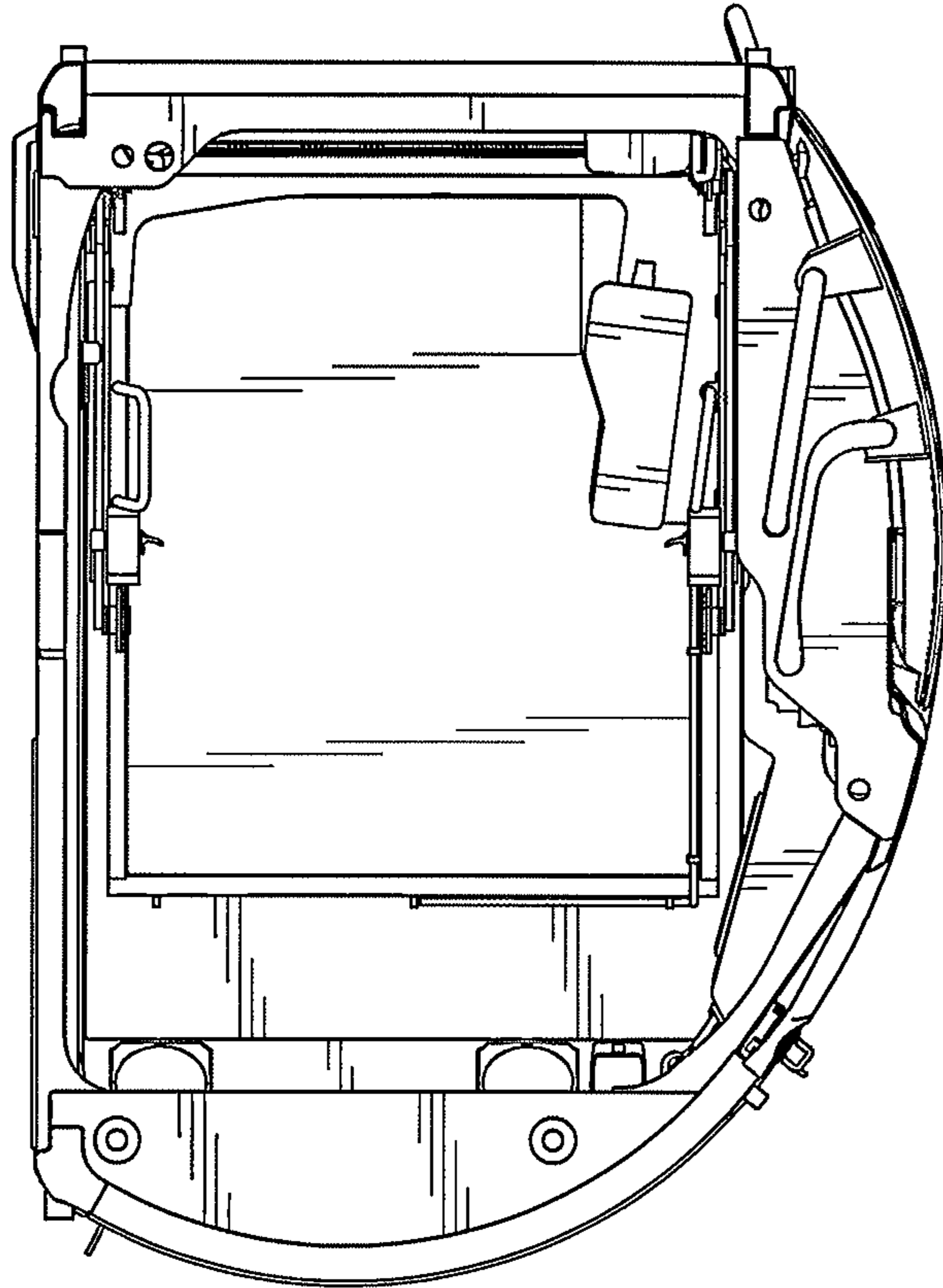


FIG.8