



US00D707727S

(12) **United States Design Patent**
Miller et al.

(10) **Patent No.:** **US D707,727 S**

(45) **Date of Patent:** **** Jun. 24, 2014**

(54) **WORK VEHICLE BODY**

(71) Applicant: **Deere & Company**, Moline, IL (US)

(72) Inventors: **Gregory G. Miller**, Dubuque, IA (US);
Christopher L. Guillory, Peosta, IA (US); **Jessica L. Sheller**, Peosta, IA (US); **David J. Hunstad**, Dubuque, IA (US); **Steven T. Blasen**, Peosta, IA (US); **Robert T. Carr**, Rickardsville, IA (US); **Thomas H. Ward**, Ventura, CA (US); **Jacob R. Loniak**, Santa Monica, CA (US); **John W. Krieger**, Westlake Village, CA (US)

(73) Assignee: **Deere & Company**, Moline, IL (US)

(**) Term: **14 Years**

(21) Appl. No.: **29/461,245**

(22) Filed: **Jul. 19, 2013**

(51) **LOC (10) Cl.** **15-03**

(52) **U.S. Cl.**
USPC **D15/28**

(58) **Field of Classification Search**
USPC D15/10, 22-26, 28, 33; 298/7, 24, 25,
298/26, 27; 404/110, 101, 108, 75, 102,
404/118, 84.05, 105
See application file for complete search history.

(56) **References Cited**

U.S. PATENT DOCUMENTS

D500,056 S *	12/2004	DeYoung et al.	D15/33
D527,393 S *	8/2006	Maas et al.	D15/28
D608,374 S *	1/2010	De Rycke et al.	D15/33
D635,154 S *	3/2011	Rummer et al.	D15/28
D635,158 S *	3/2011	Berning et al.	D15/33
D635,159 S *	3/2011	Berning et al.	D15/33
D635,160 S *	3/2011	Berning et al.	D15/33
D635,593 S *	4/2011	Berning et al.	D15/33
D642,599 S *	8/2011	Busley	D15/33

D643,052 S *	8/2011	Hagele et al.	D15/33
D643,860 S *	8/2011	Busley	D15/33
D648,357 S *	11/2011	Hagele et al.	D15/33

OTHER PUBLICATIONS

John Deere Skidders 548G-III648H/748H/848H Grapple Catalog, Oct. 2012.

* cited by examiner

Primary Examiner — Mark Goodwin

(74) *Attorney, Agent, or Firm* — Quarles & Brady LLP

(57) **CLAIM**

The ornamental design for a work vehicle body, as shown and described.

DESCRIPTION

FIG. 1 is a top, rear, left perspective view of a work vehicle body showing our new design;

FIG. 2 is a left side elevational view thereof;

FIG. 3 is a right side elevational view thereof;

FIG. 4 is a top plan view thereof;

FIG. 5 is a rear end view thereof;

FIG. 6 is a front end view thereof;

FIG. 7 is a top, rear, left perspective view thereof shown with exemplary work vehicle environment;

FIG. 8 is a top, front, right perspective view of a work vehicle body showing another embodiment of our new design;

FIG. 9 is a right side elevational view thereof;

FIG. 10 is a left side elevational view thereof;

FIG. 11 is a top plan view thereof.

FIG. 12 is a front end view thereof;

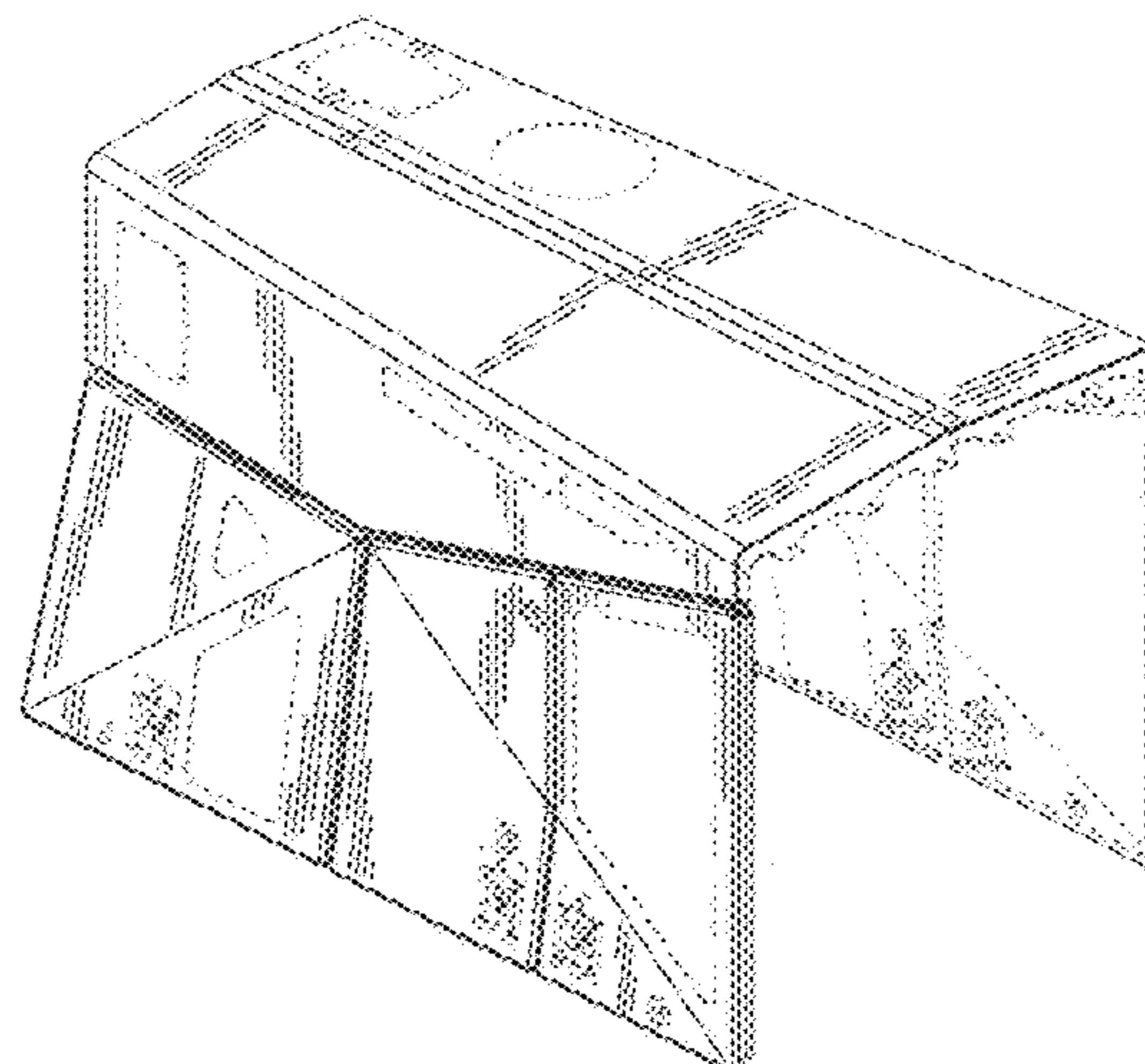
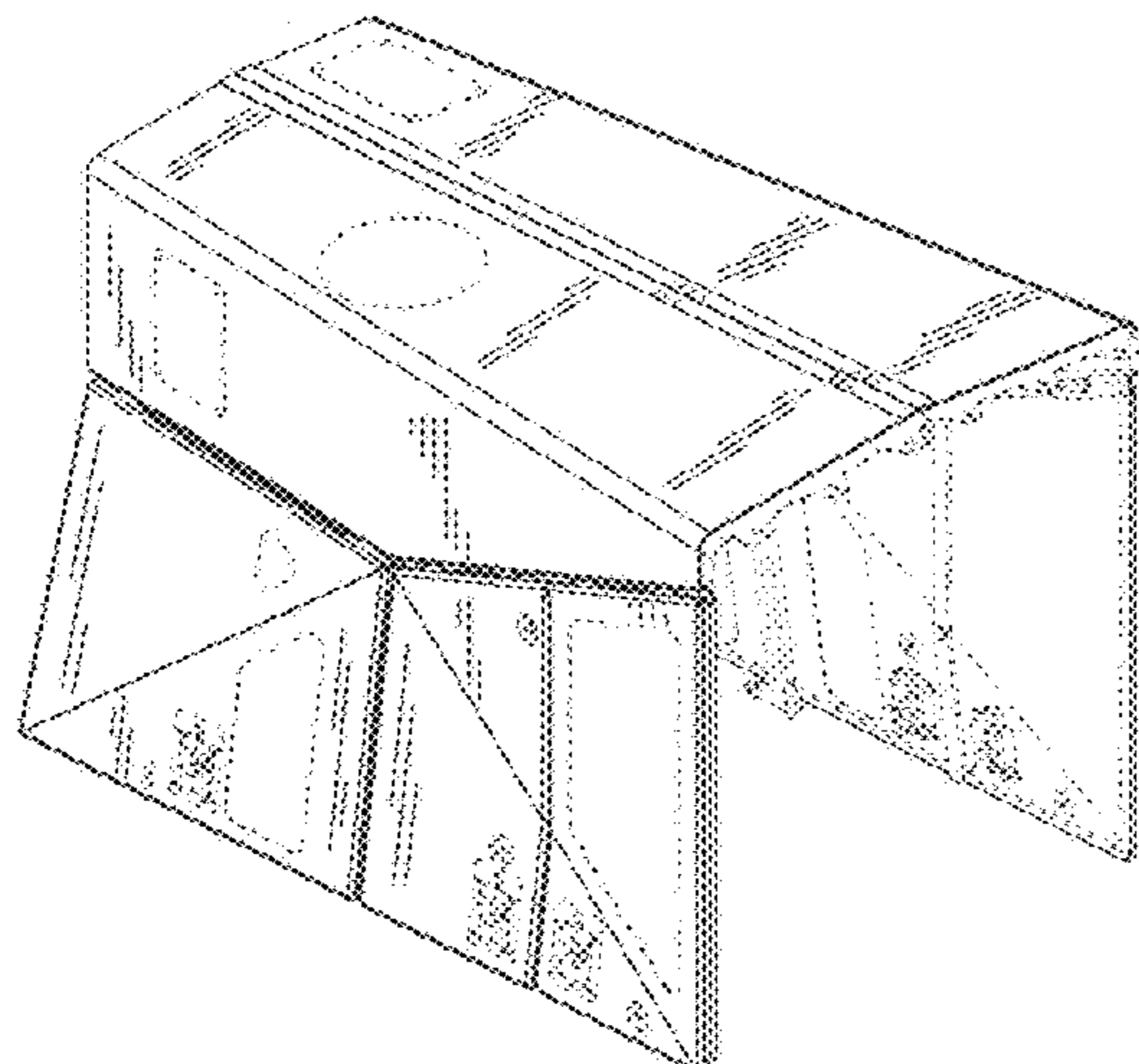
FIG. 13 is a rear end view thereof; and,

FIG. 14 is a top, front, right perspective view thereof shown with exemplary work vehicle environment.

The broken line representations in the figures, including the broken line work vehicle environment shown in FIGS. 7 and 14, show unclaimed environment or boundaries, and thus form no part of the claimed design.

The nature of this product is a work vehicle, such as used in the construction and forestry industries.

1 Claim, 10 Drawing Sheets



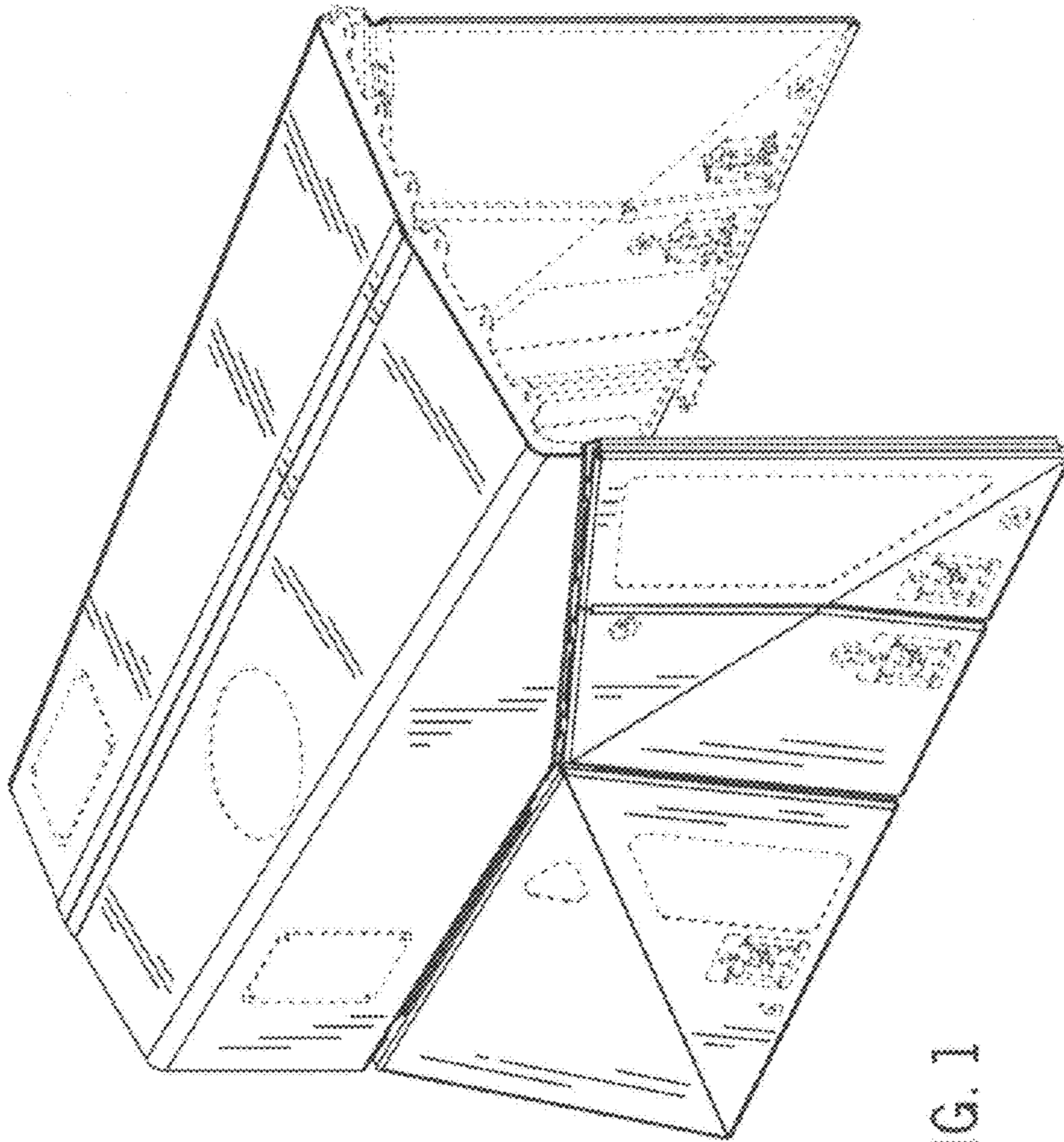


FIG. 1

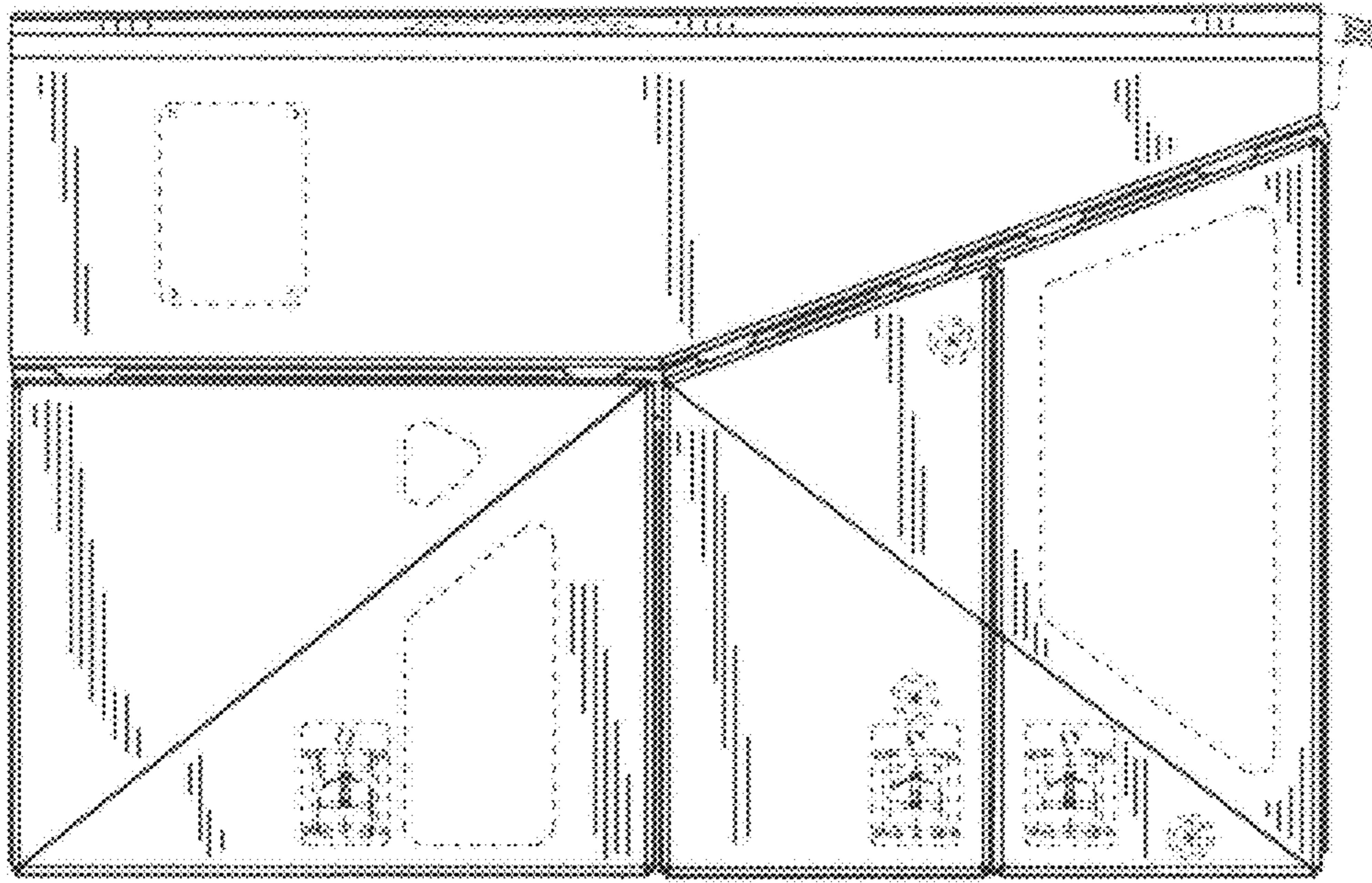


FIG. 2

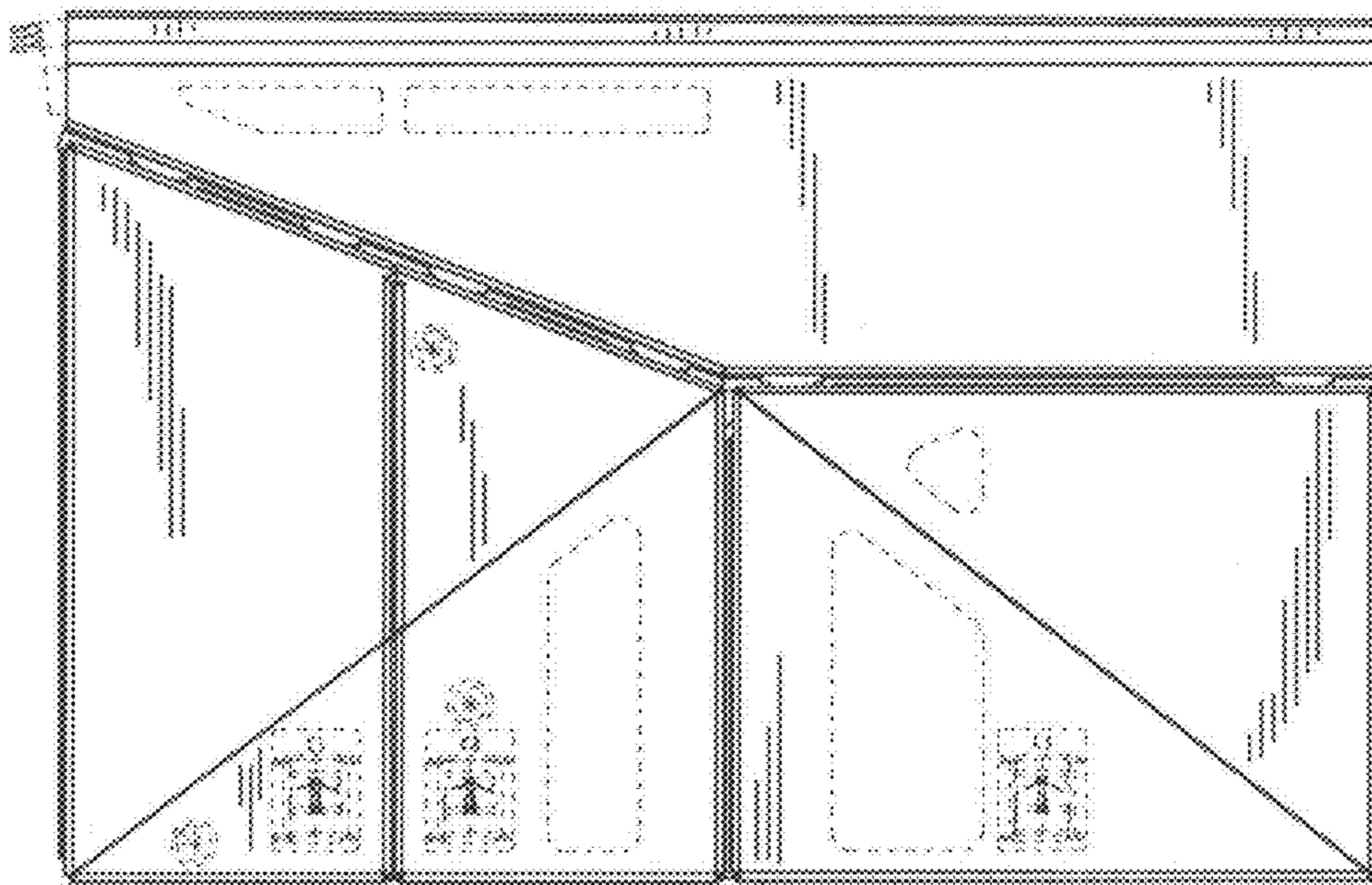


FIG. 3

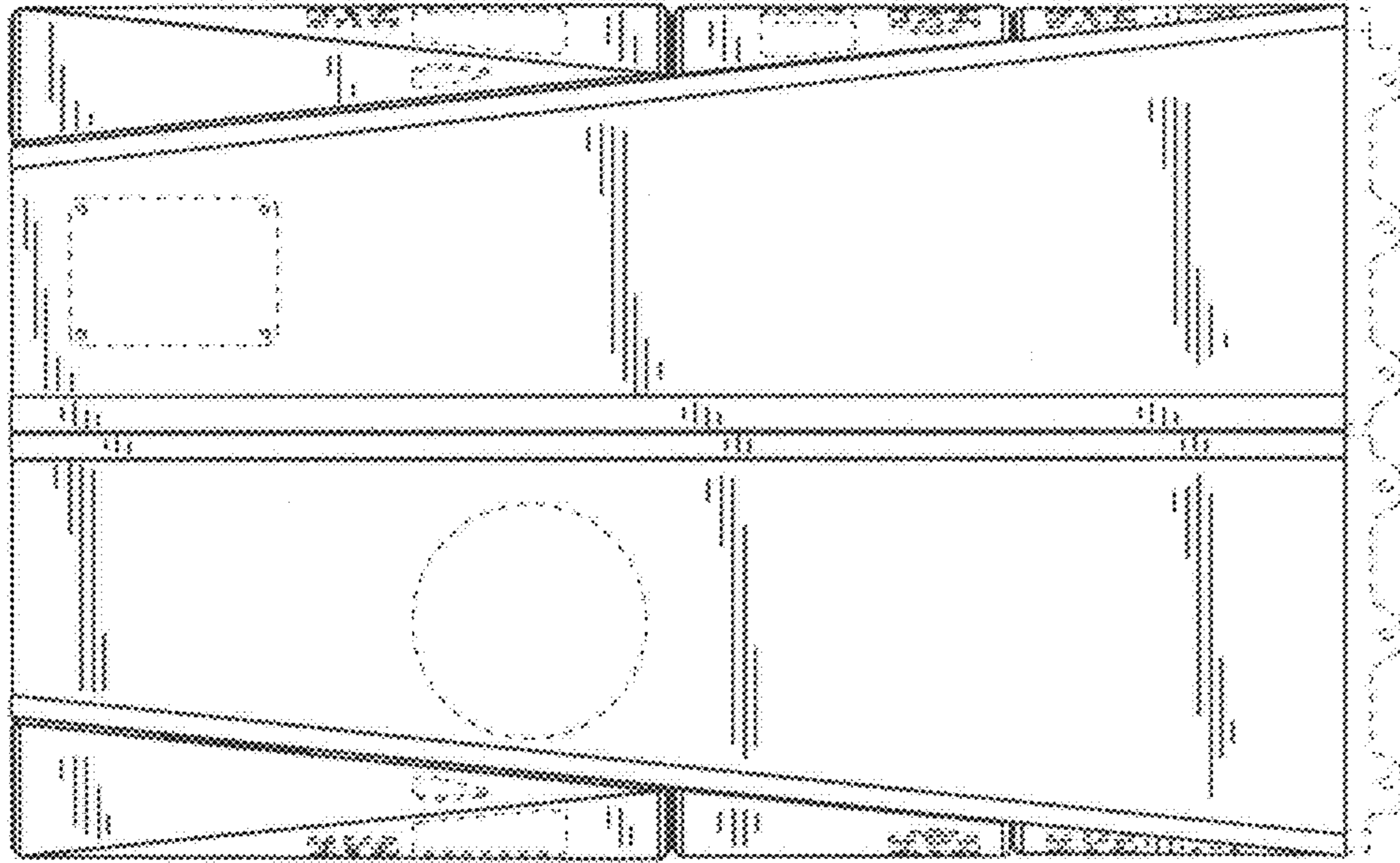


FIG. 4

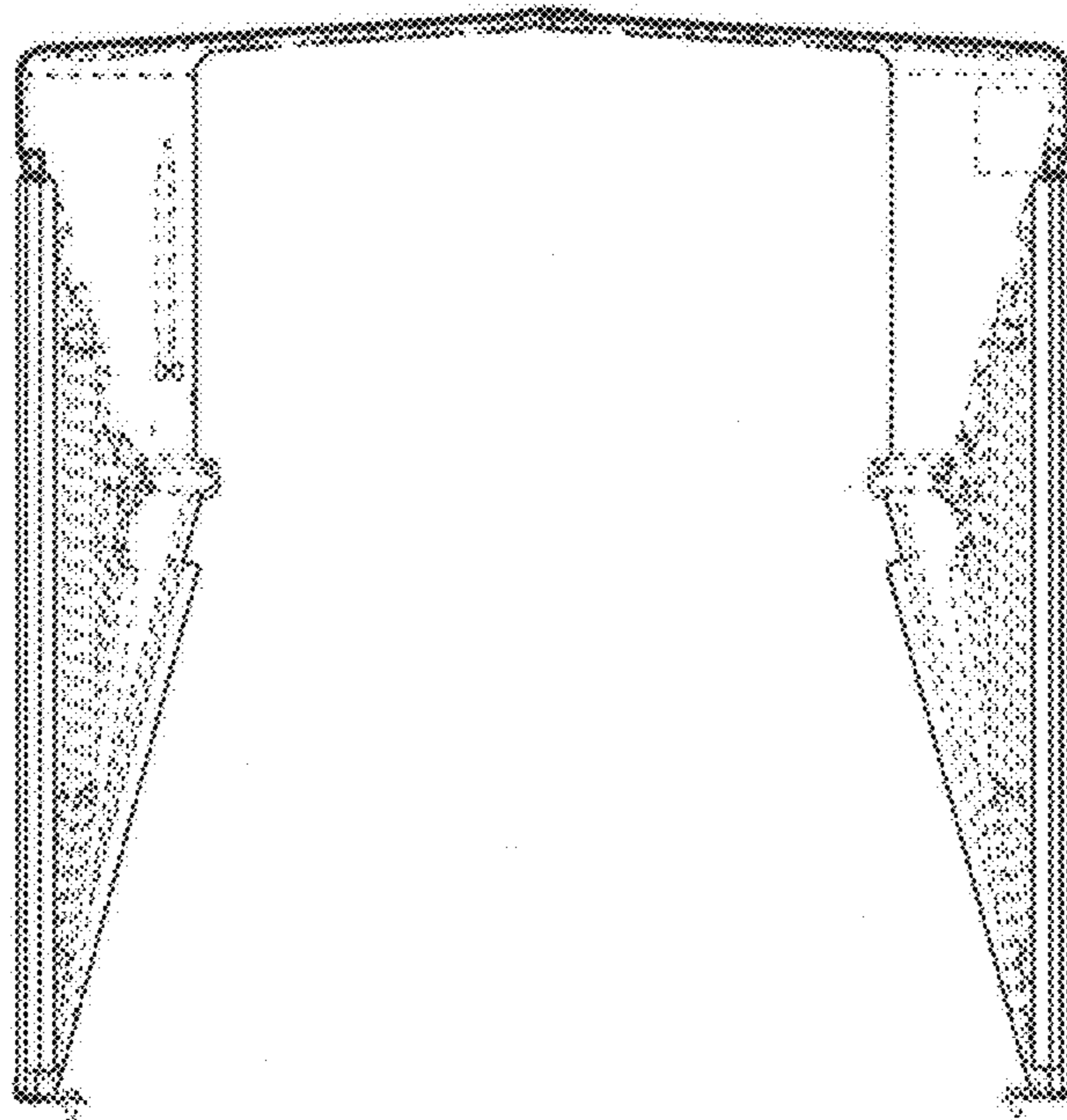


FIG. 5

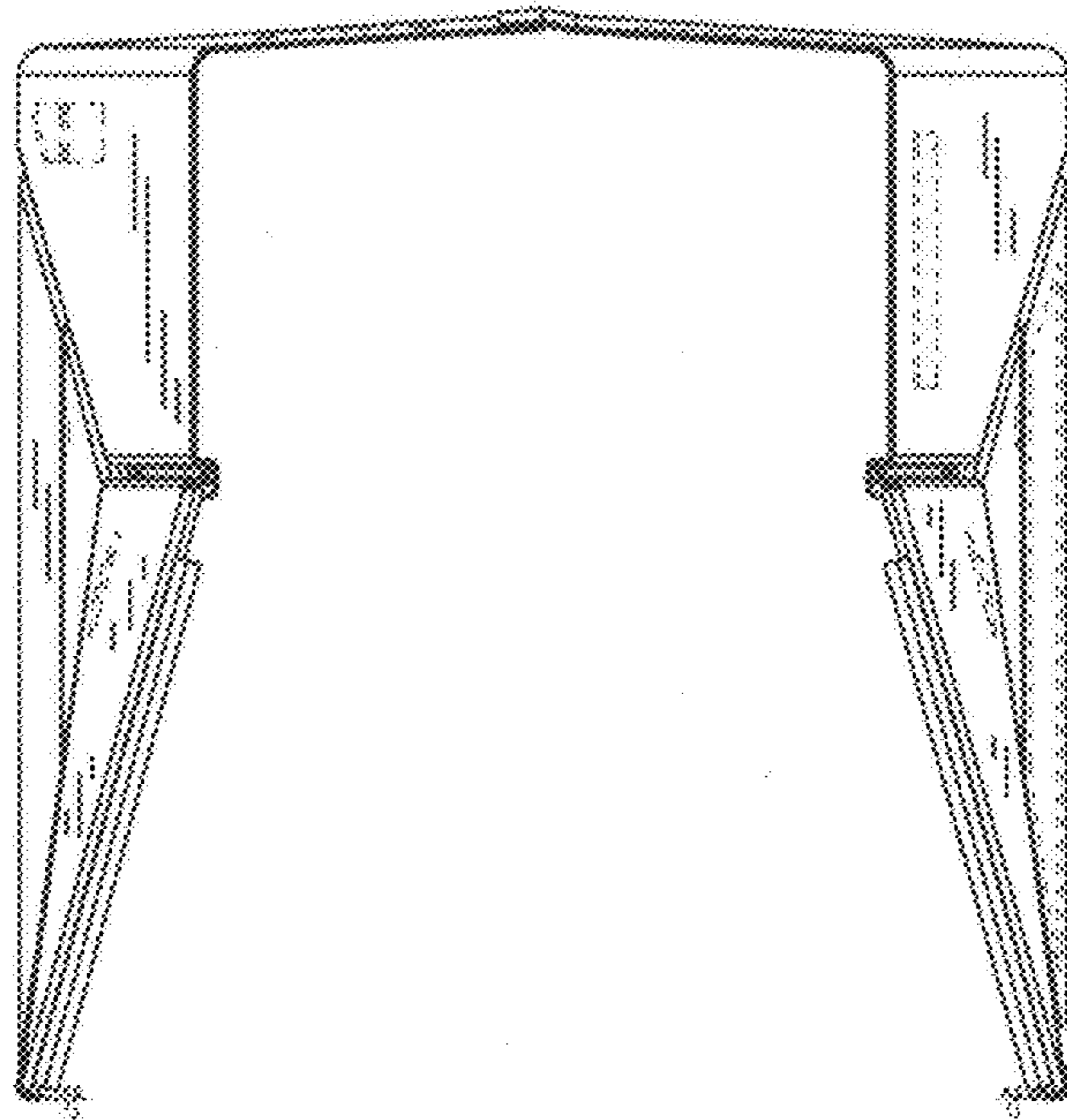
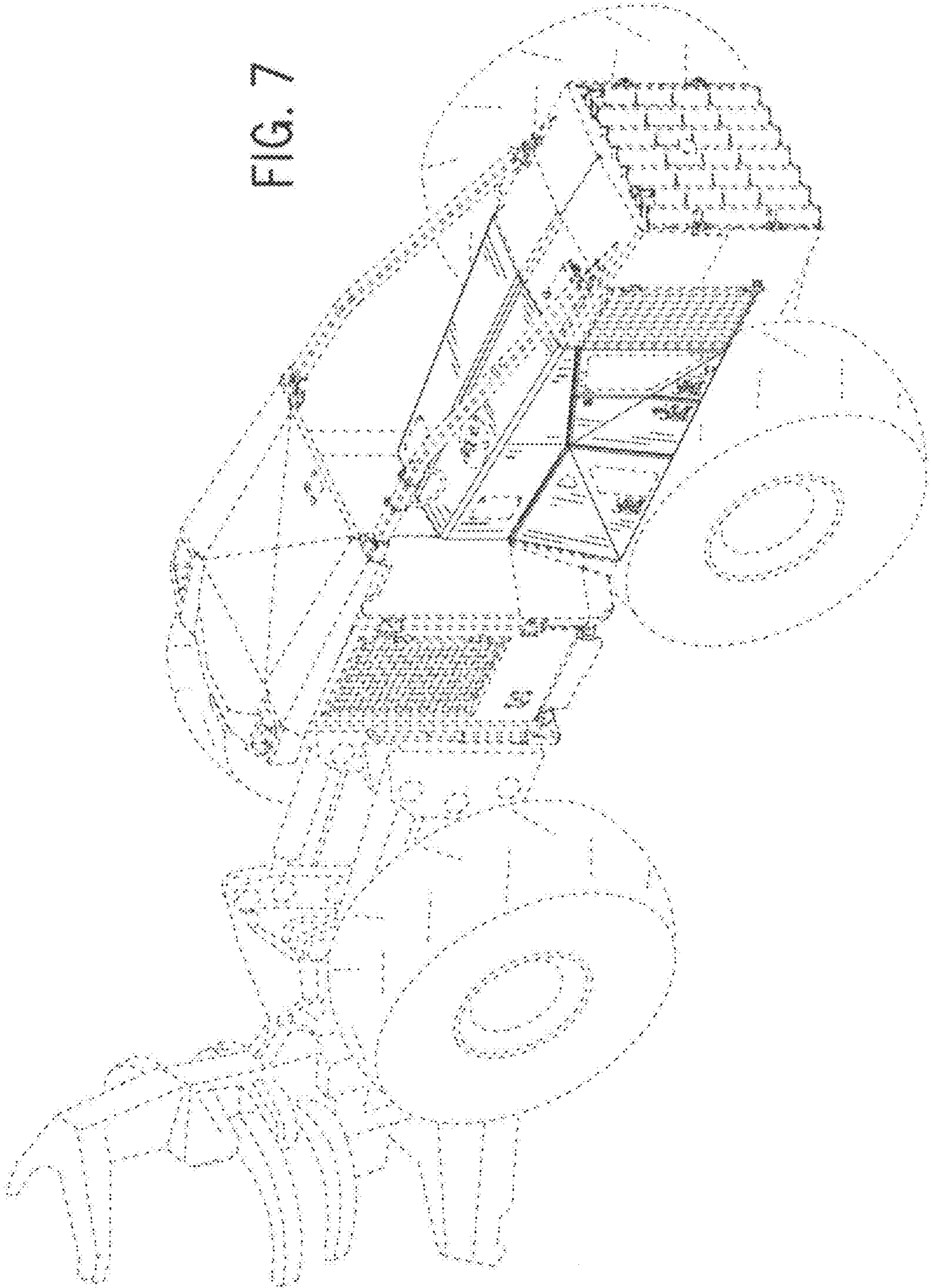


FIG. 6

FIG. 7



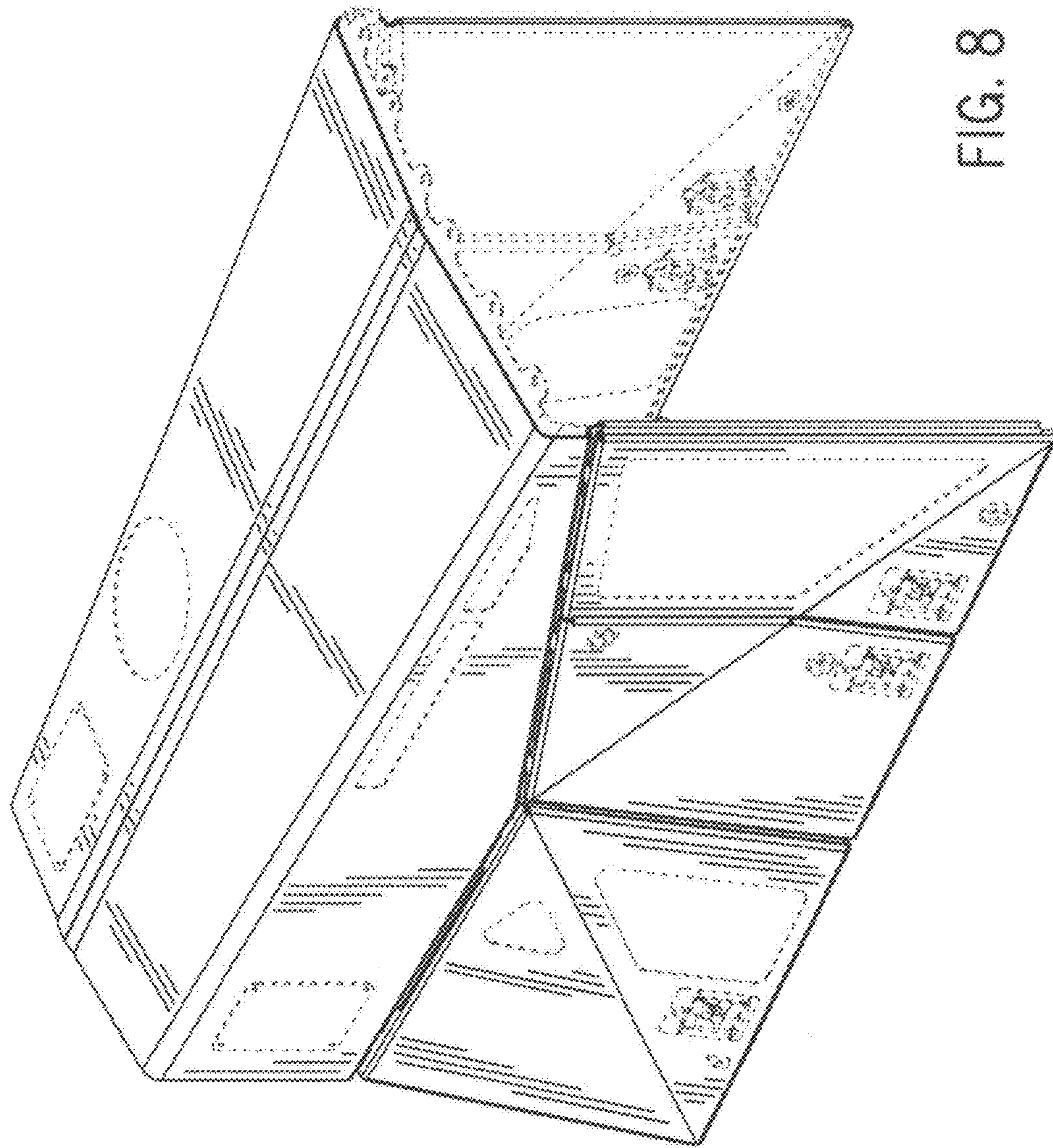


FIG. 8

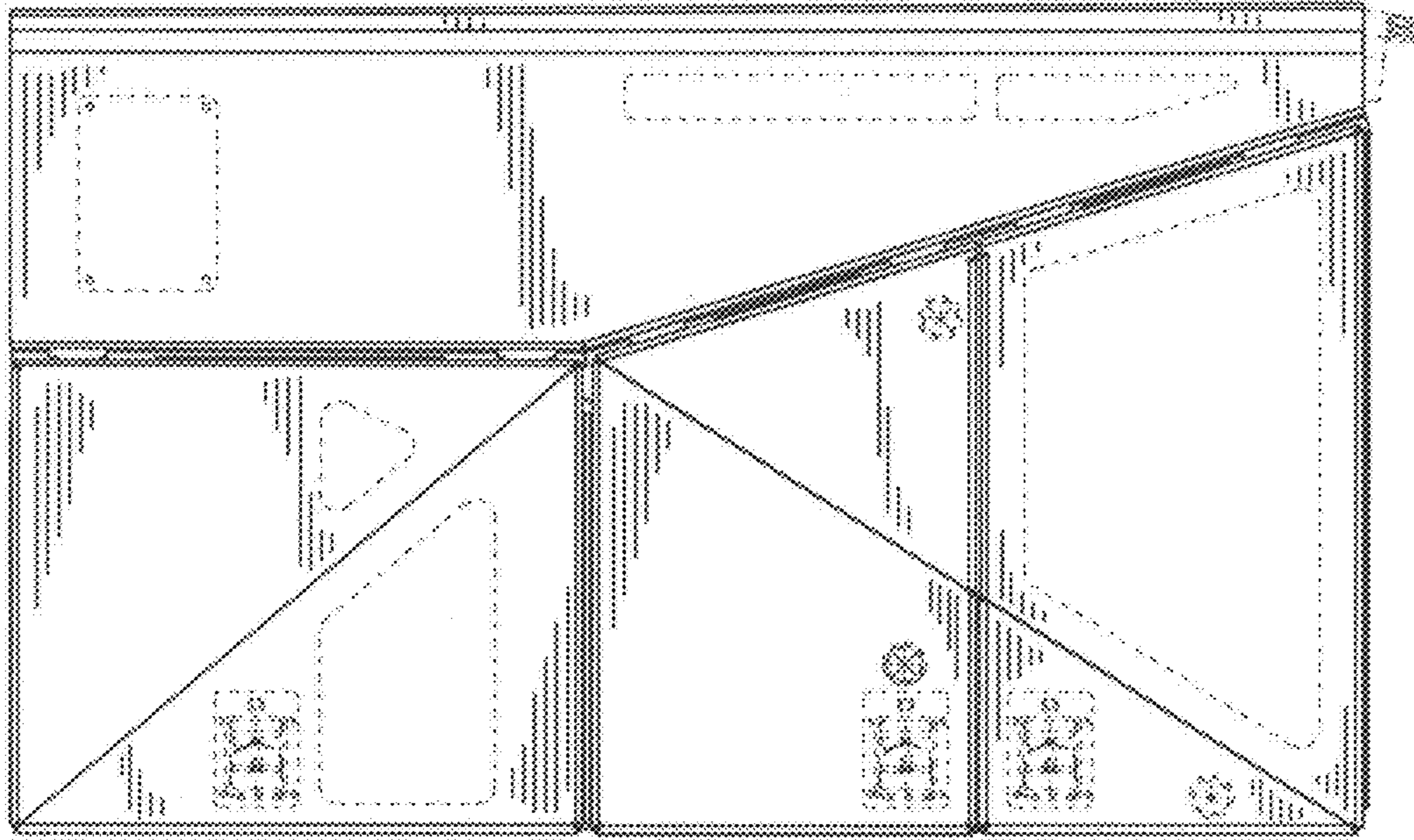


FIG. 9

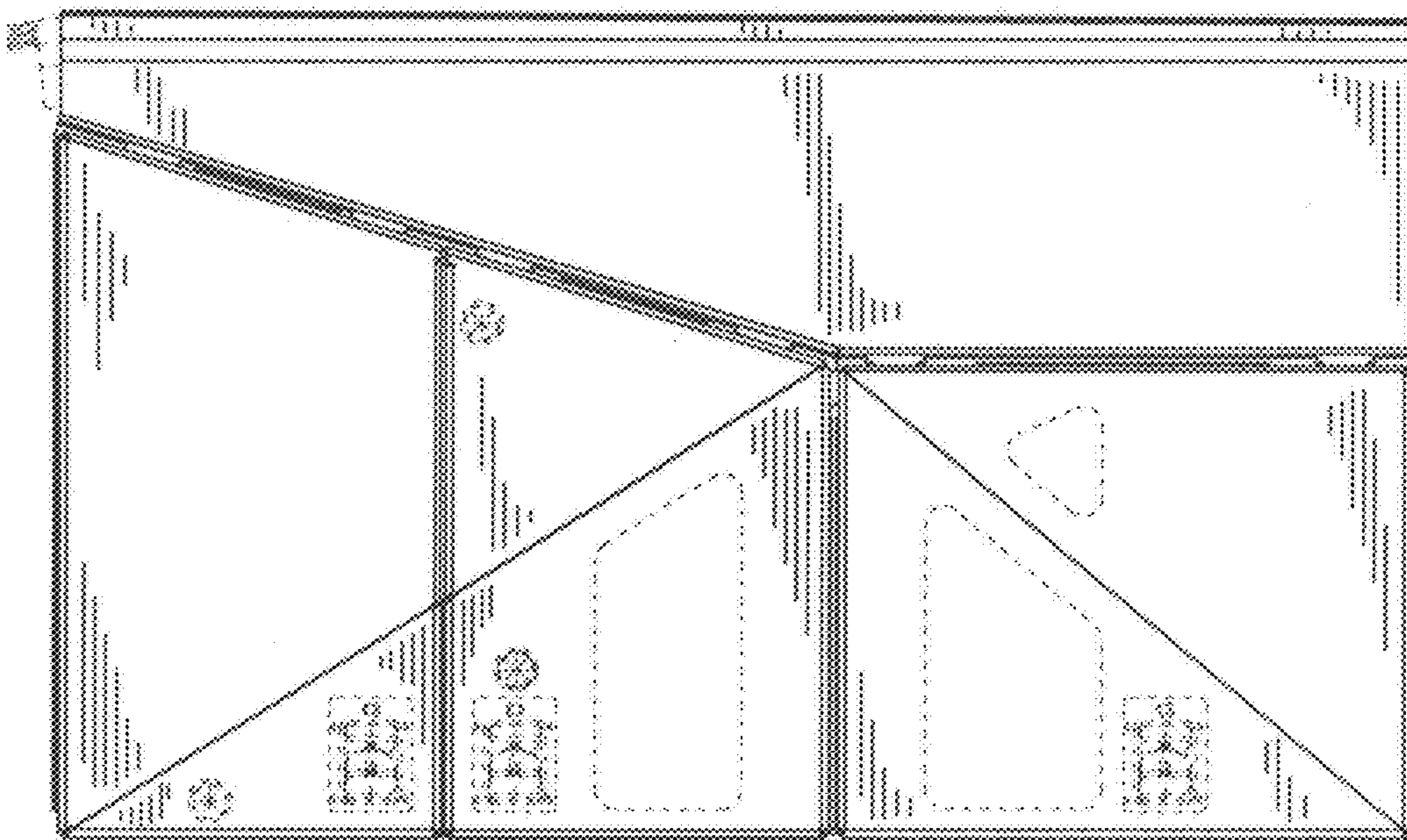


FIG. 10

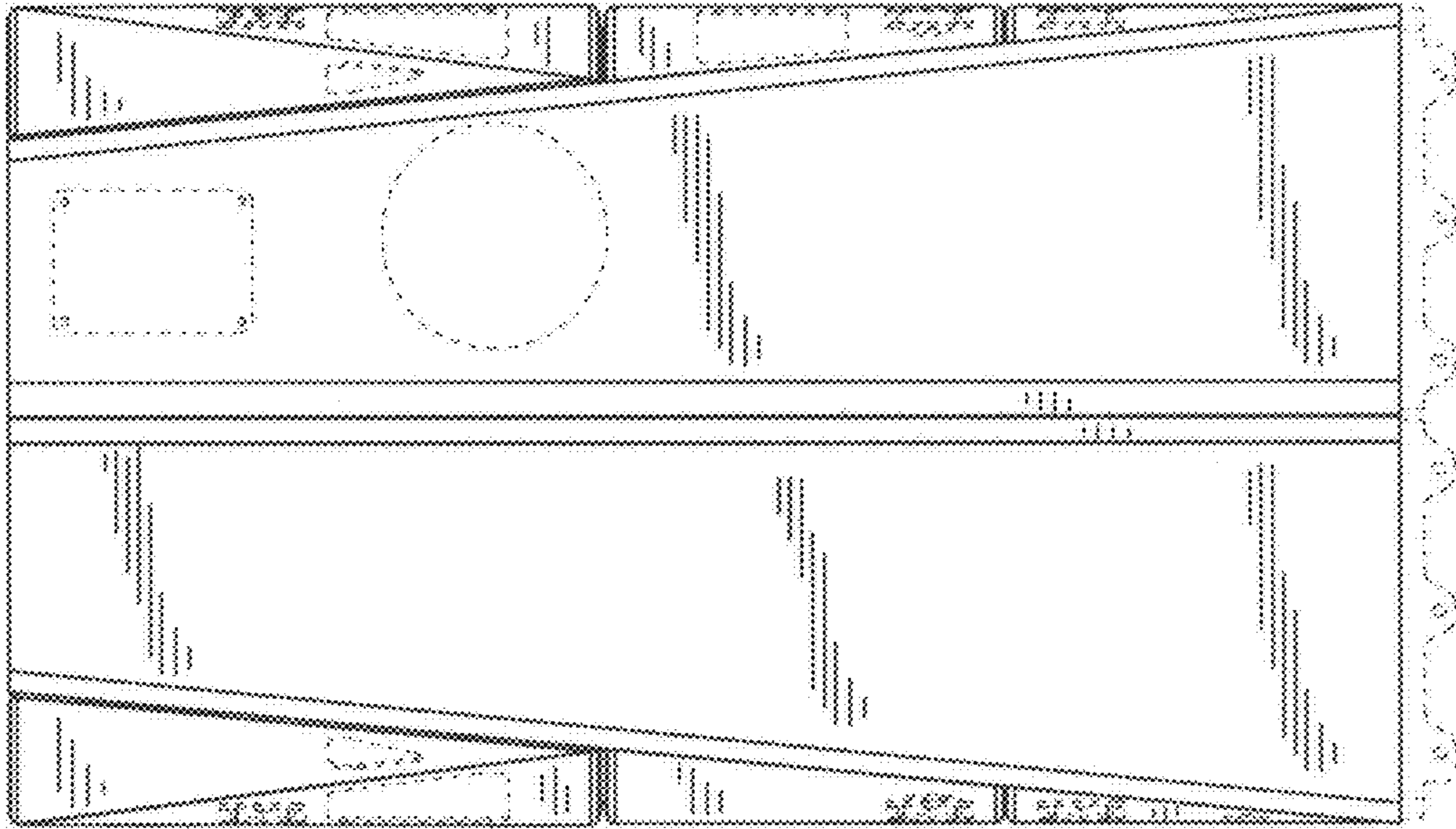


FIG. 11

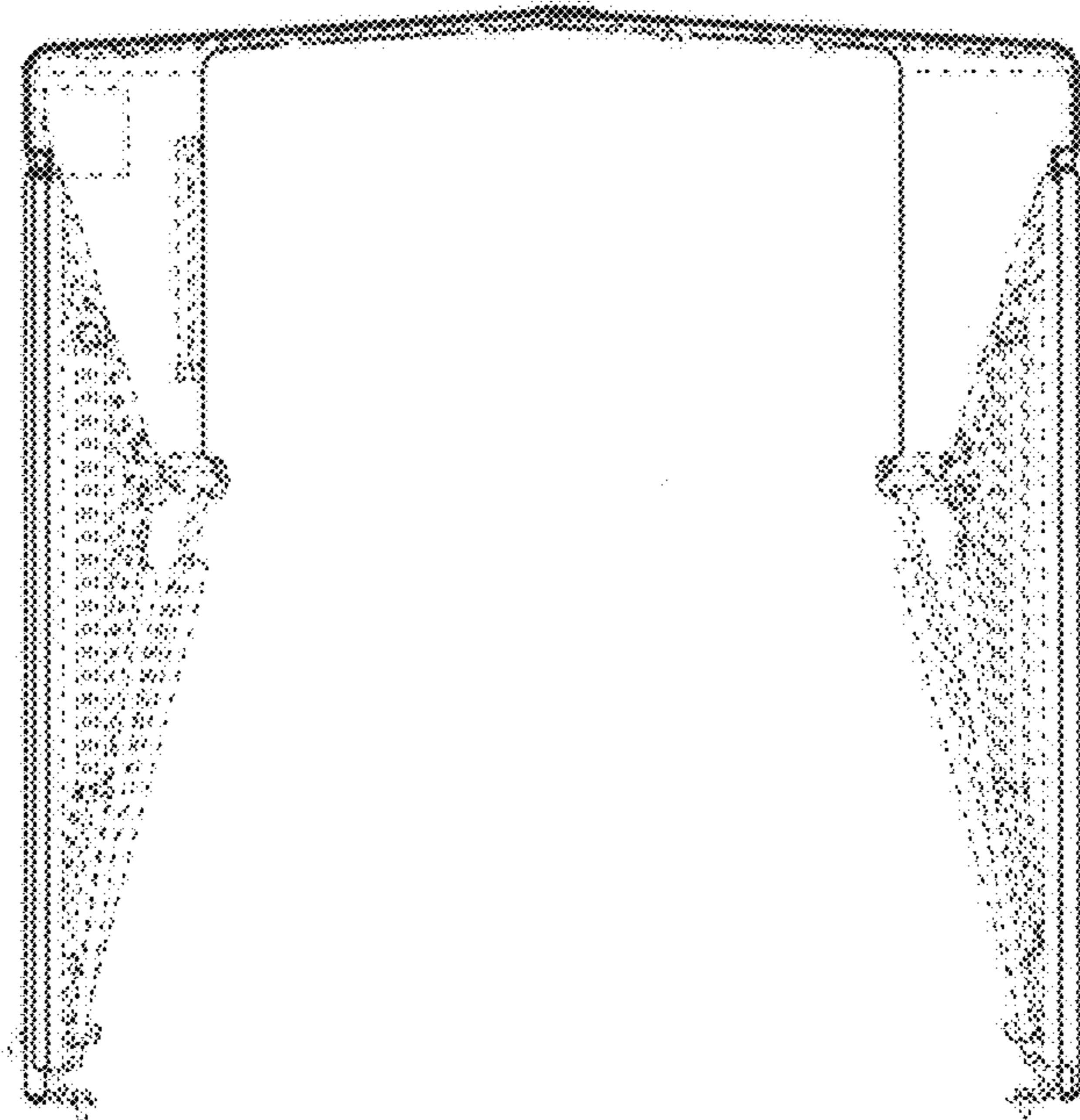


FIG. 12

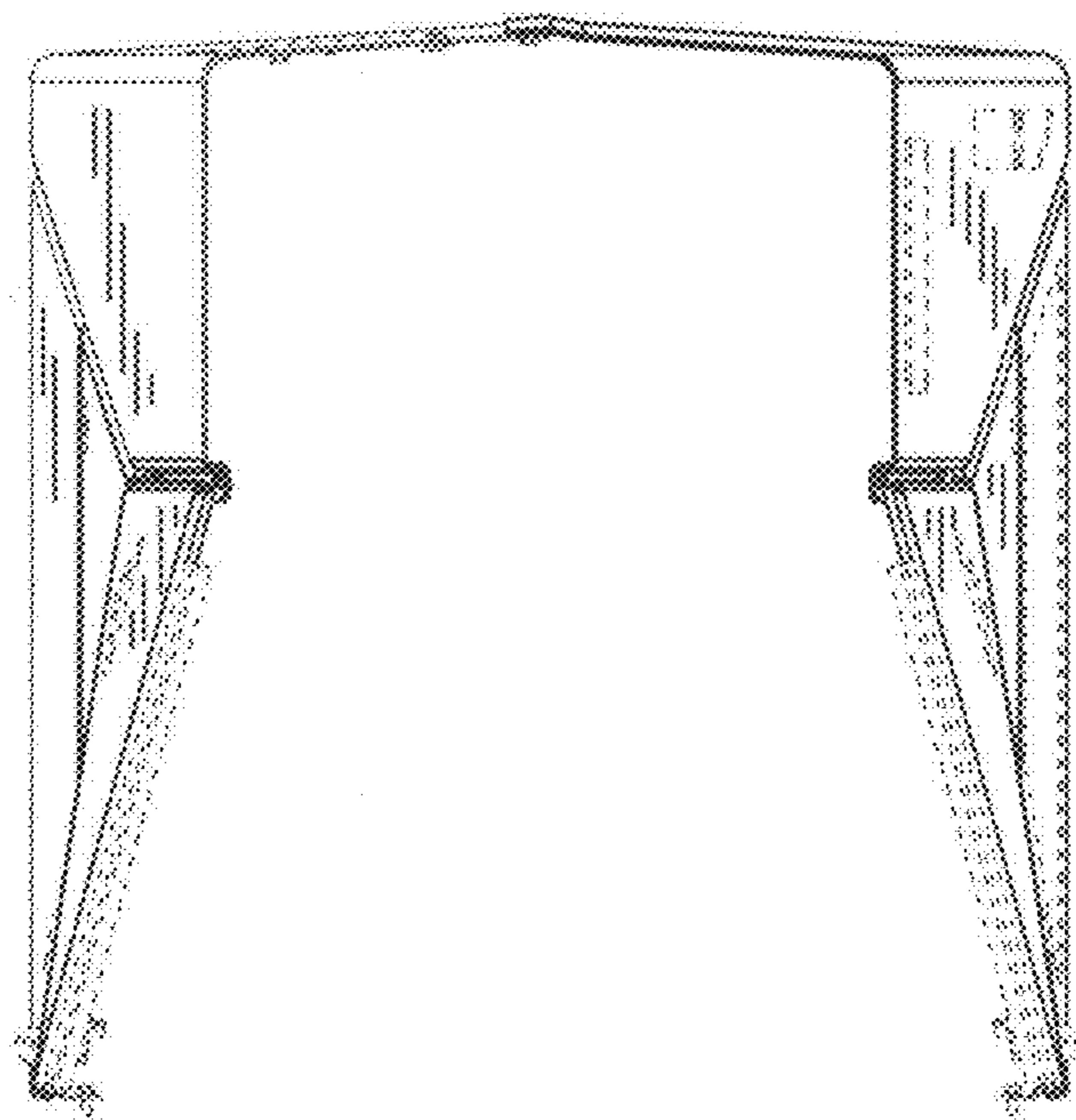
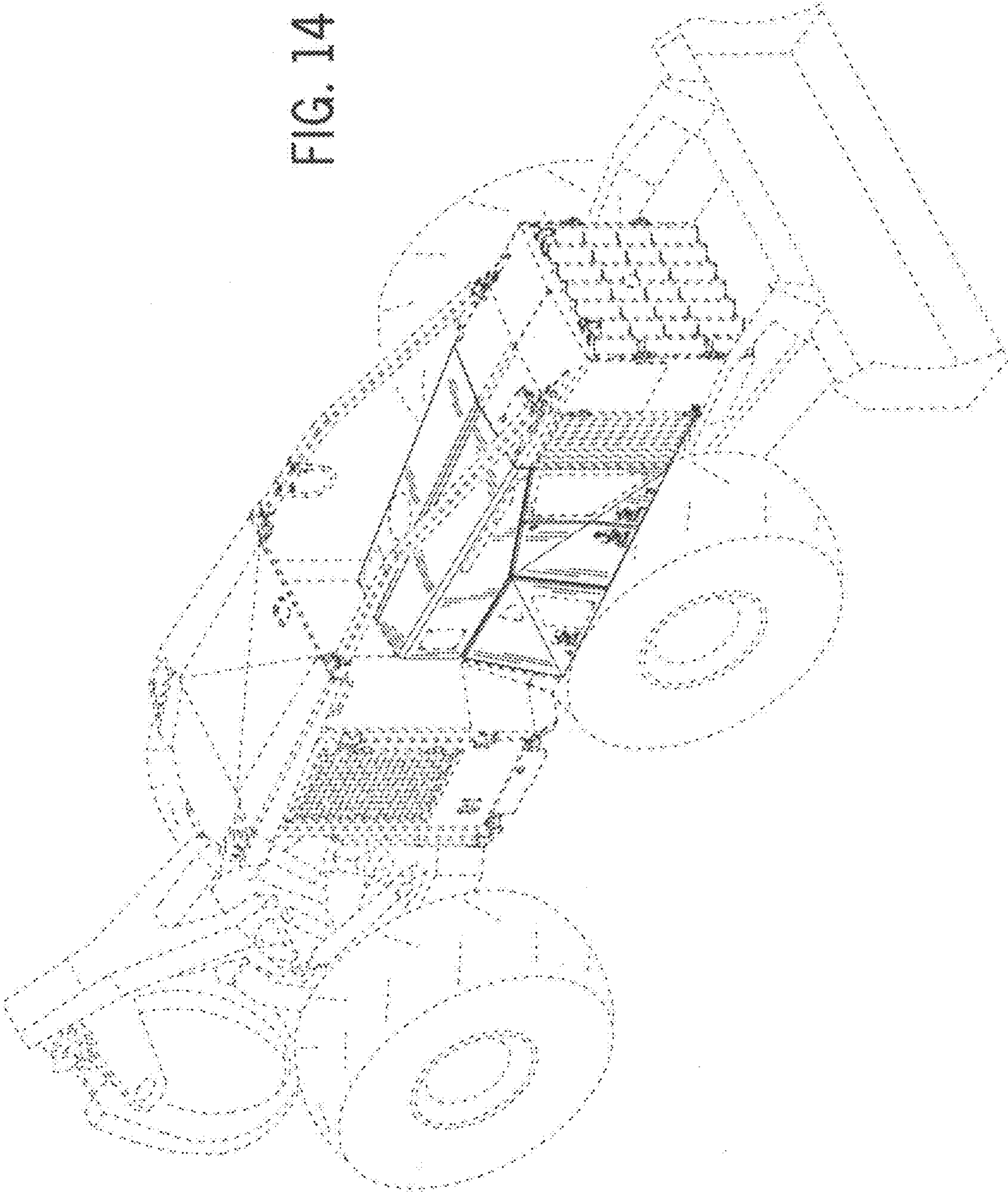


FIG. 13

FIG. 14



UNITED STATES PATENT AND TRADEMARK OFFICE
CERTIFICATE OF CORRECTION

PATENT NO. : D707,727 S
APPLICATION NO. : 29/461245
DATED : June 24, 2014
INVENTOR(S) : Gregory G. Miller et al.

Page 1 of 1

It is certified that error appears in the above-identified patent and that said Letters Patent is hereby corrected as shown below:

On the Title Page

(72) Inventor "Jessica L. Sheller" should read --Jessica L. Shetler--

Signed and Sealed this
Ninth Day of December, 2014



Michelle K. Lee
Deputy Director of the United States Patent and Trademark Office