



US00D707721S

(12) **United States Design Patent**
Hippoliti

(10) **Patent No.:** **US D707,721 S**
(45) **Date of Patent:** **** Jun. 24, 2014**

- (54) **LAWN MOWER**
- (71) Applicant: **GGP Italy S.p.A.**, Castelfranco Veneto (IT)
- (72) Inventor: **Raimondo Hippoliti**, Empoli FI (IT)
- (73) Assignee: **GGP Italy S.p.A.**, Castelfranco Veneto TV (IT)
- (**) Term: **14 Years**
- (21) Appl. No.: **29/472,766**
- (22) Filed: **Nov. 15, 2013**
- (51) **LOC (10) Cl.** **15-03**
- (52) **U.S. Cl.**
USPC **D15/15**
- (58) **Field of Classification Search**
USPC D15/14, 15, 17, 21–26, 28, 31, 33;
180/89.1, 89.12, 900; 56/15.8, 255,
56/294, 295, 13.3, 13.4, 16.6, 16.7, 17.1,
56/202, 320.1, 320.2
See application file for complete search history.

D356,582 S *	3/1995	Weber	D15/15
D363,495 S *	10/1995	Good et al.	D15/15
D365,349 S *	12/1995	Katoh et al.	D15/15
5,540,037 A *	7/1996	Lamb et al.	56/7
D380,761 S *	7/1997	Saylor	D15/15
D386,189 S *	11/1997	Wolf	D15/15
D387,358 S *	12/1997	Wolf	D15/15
D389,490 S *	1/1998	Shimamura et al.	D15/15
D392,981 S *	3/1998	Smith	D15/15
D397,121 S *	8/1998	Smith	D15/15
D398,311 S *	9/1998	Smith	D15/15
5,915,496 A *	6/1999	Bednar et al.	180/305
D442,972 S *	5/2001	Wolf	D15/15
D455,156 S *	4/2002	Rittfeldt	D15/10
D536,709 S *	2/2007	Kullhem et al.	D15/15
D538,302 S *	3/2007	Higashikawa	D15/15
D560,690 S *	1/2008	Higashikawa	D15/10
D626,572 S *	11/2010	Moriguchi et al.	D15/15
D636,001 S *	4/2011	Martin et al.	D15/33
D637,625 S *	5/2011	Thunstrom et al.	D15/15
D654,512 S *	2/2012	Naslund	D15/17
D681,685 S *	5/2013	Higashikawa	D15/15

* cited by examiner

Primary Examiner — Mark Goodwin

(74) *Attorney, Agent, or Firm* — Wenderoth, Lind & Ponack, L.L.P.

(56) **References Cited**

U.S. PATENT DOCUMENTS

D218,768 S *	9/1970	Schreckengost	D15/15
D242,940 S *	1/1977	Ehrlin et al.	D15/15
D243,270 S *	2/1977	Ehrlin et al.	D15/15
D248,655 S *	7/1978	Klein	D15/15
D249,267 S *	9/1978	Brackin et al.	D15/15
D271,020 S *	10/1983	Malmberg et al.	D15/15
D284,968 S *	8/1986	Watanabe et al.	D15/15
D285,078 S *	8/1986	Mizushima et al.	D15/15
D293,683 S *	1/1988	Mizushima et al.	D15/15
D311,742 S *	10/1990	Splittstoesser	D15/15
D322,441 S *	12/1991	Hinklin et al.	D15/15
5,136,829 A *	8/1992	Sebben et al.	56/17.2
D340,459 S *	10/1993	Kawakita et al.	D15/15
D340,936 S *	11/1993	Matsuda et al.	D15/15

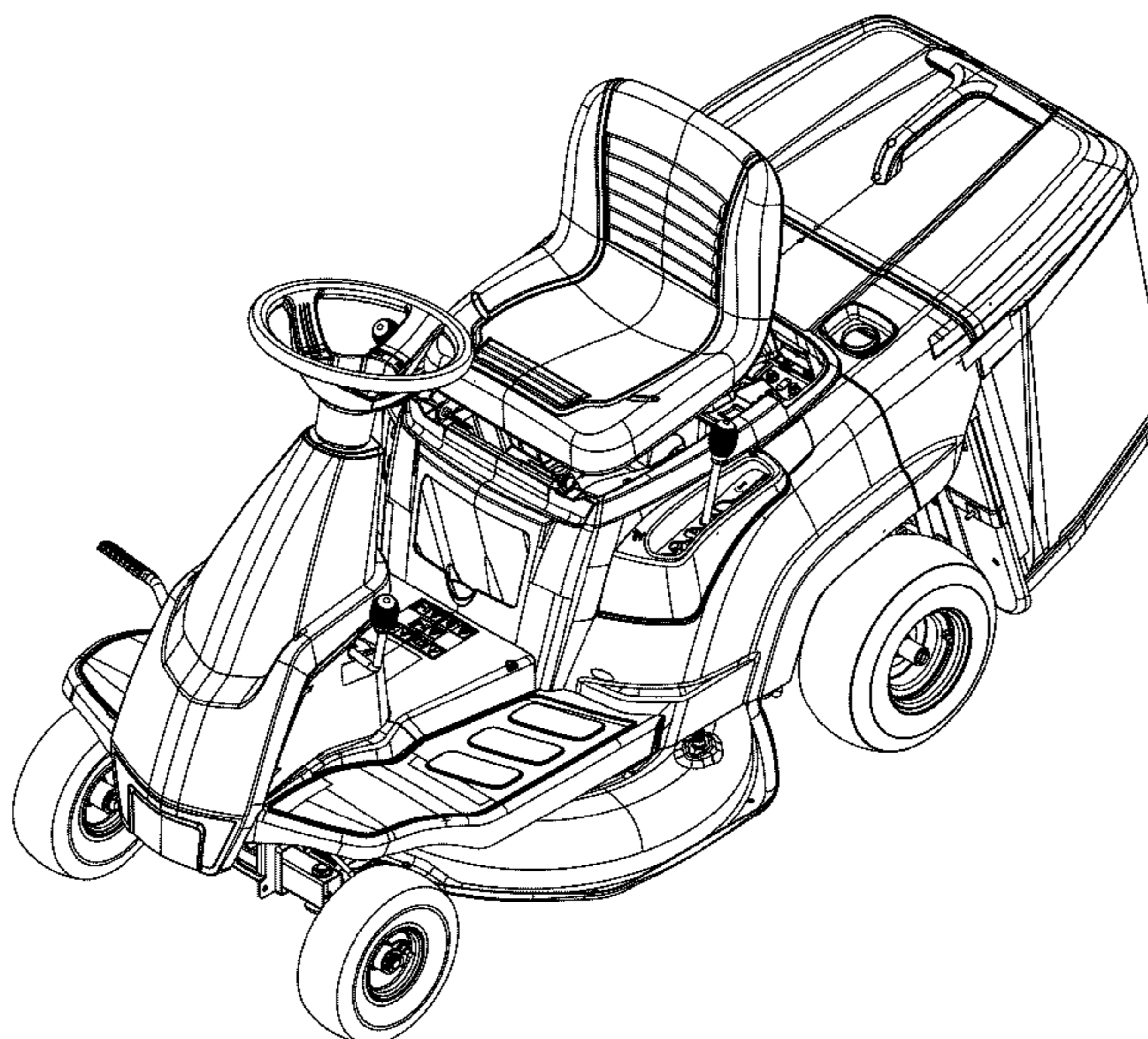
(57) **CLAIM**

I claim the ornamental design for “lawn mower ,” as shown and described.

DESCRIPTION

FIG. 1 is a first perspective view of a lawn mower showing my new design;
FIG. 2 is a second perspective view thereof;
FIG. 3 is a front view thereof;
FIG. 4 is a back view thereof;
FIG. 5 is a top view thereof;
FIG. 6 is a first lateral view thereof; and,
FIG. 7 is a second lateral view thereof.

1 Claim, 7 Drawing Sheets



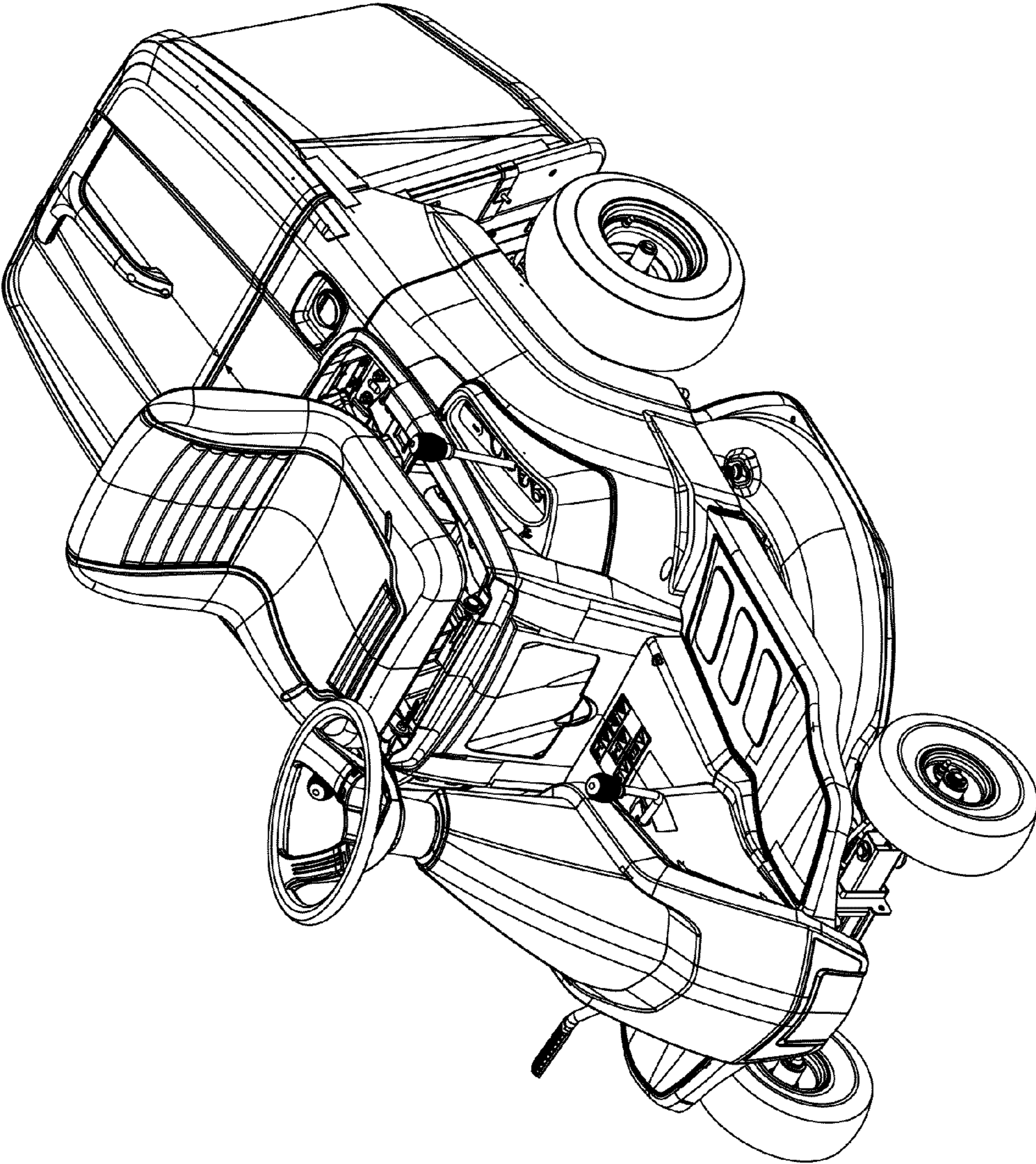


FIG.1

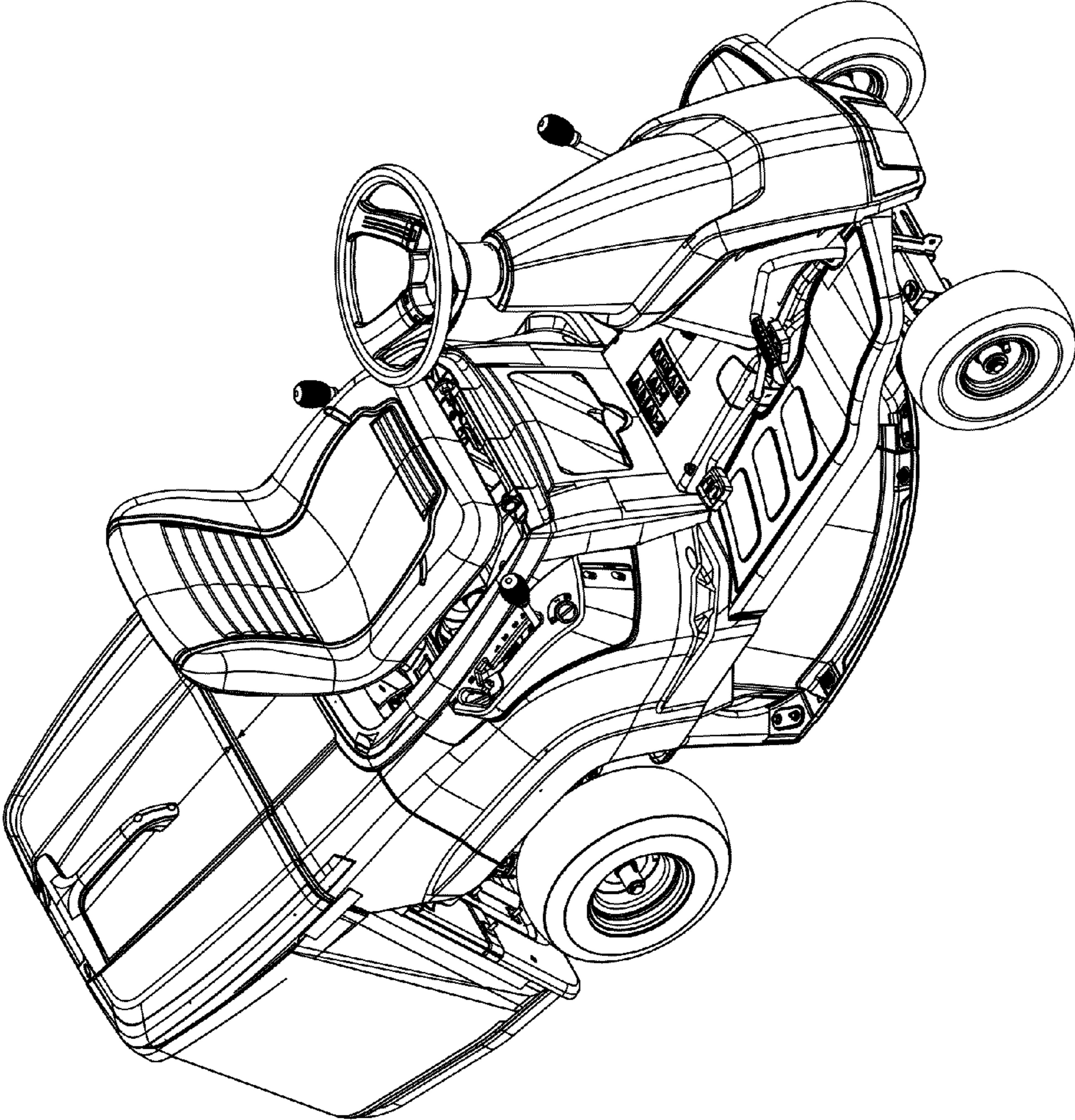


FIG.2

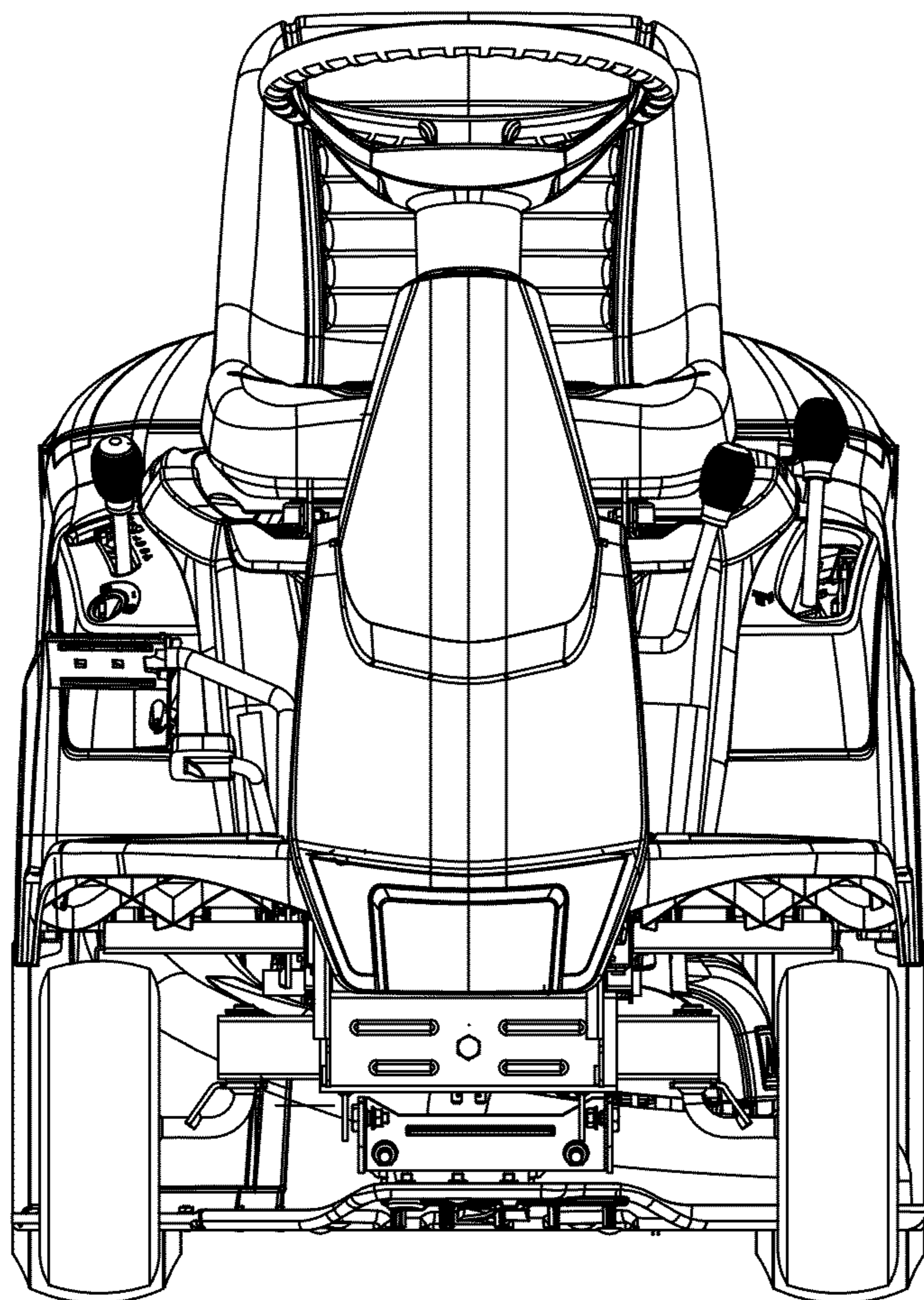


FIG.3

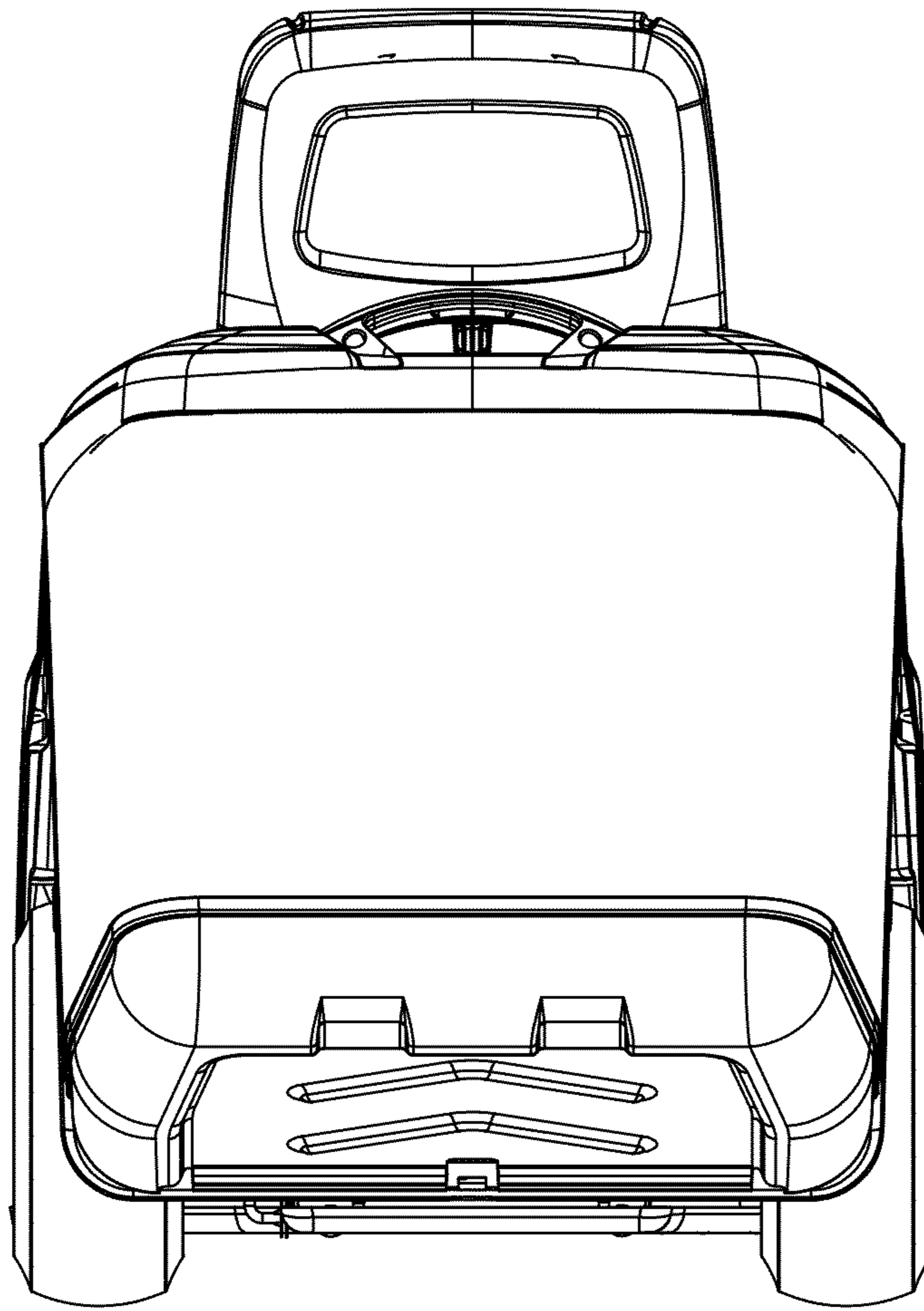


FIG.4

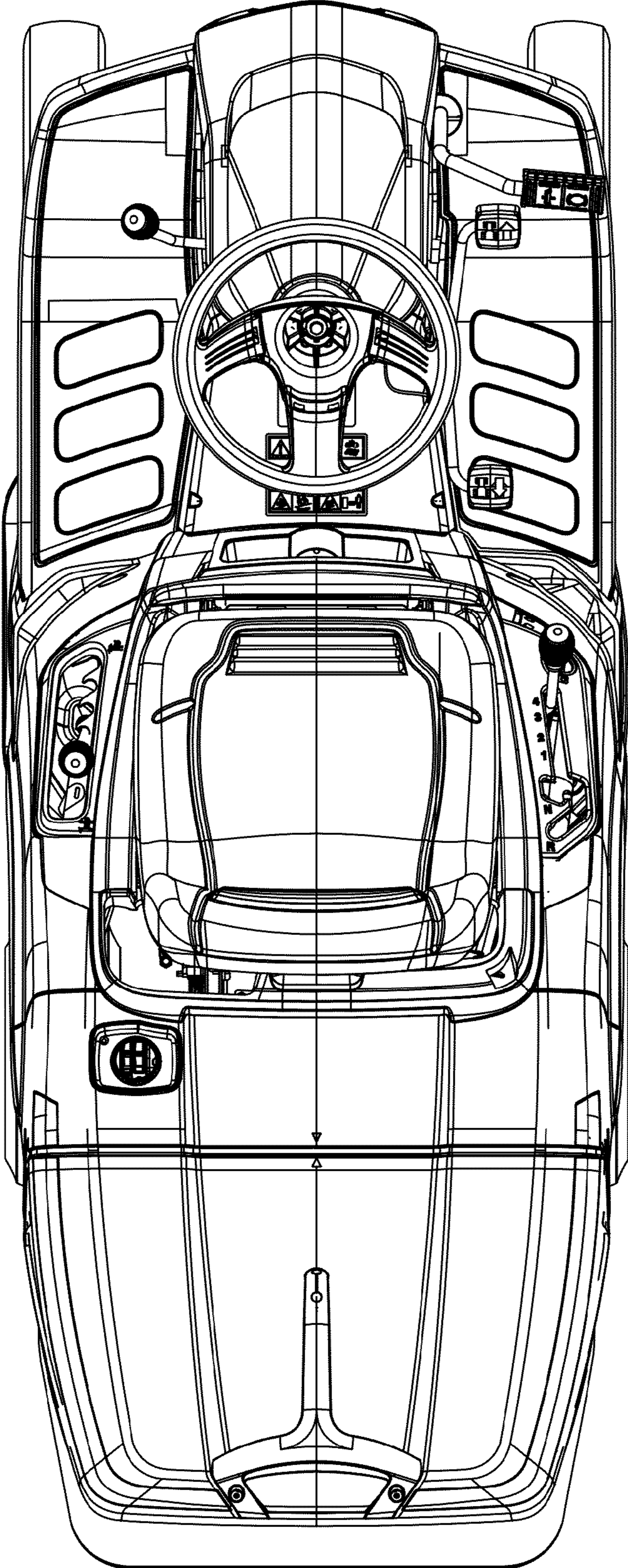


FIG.5

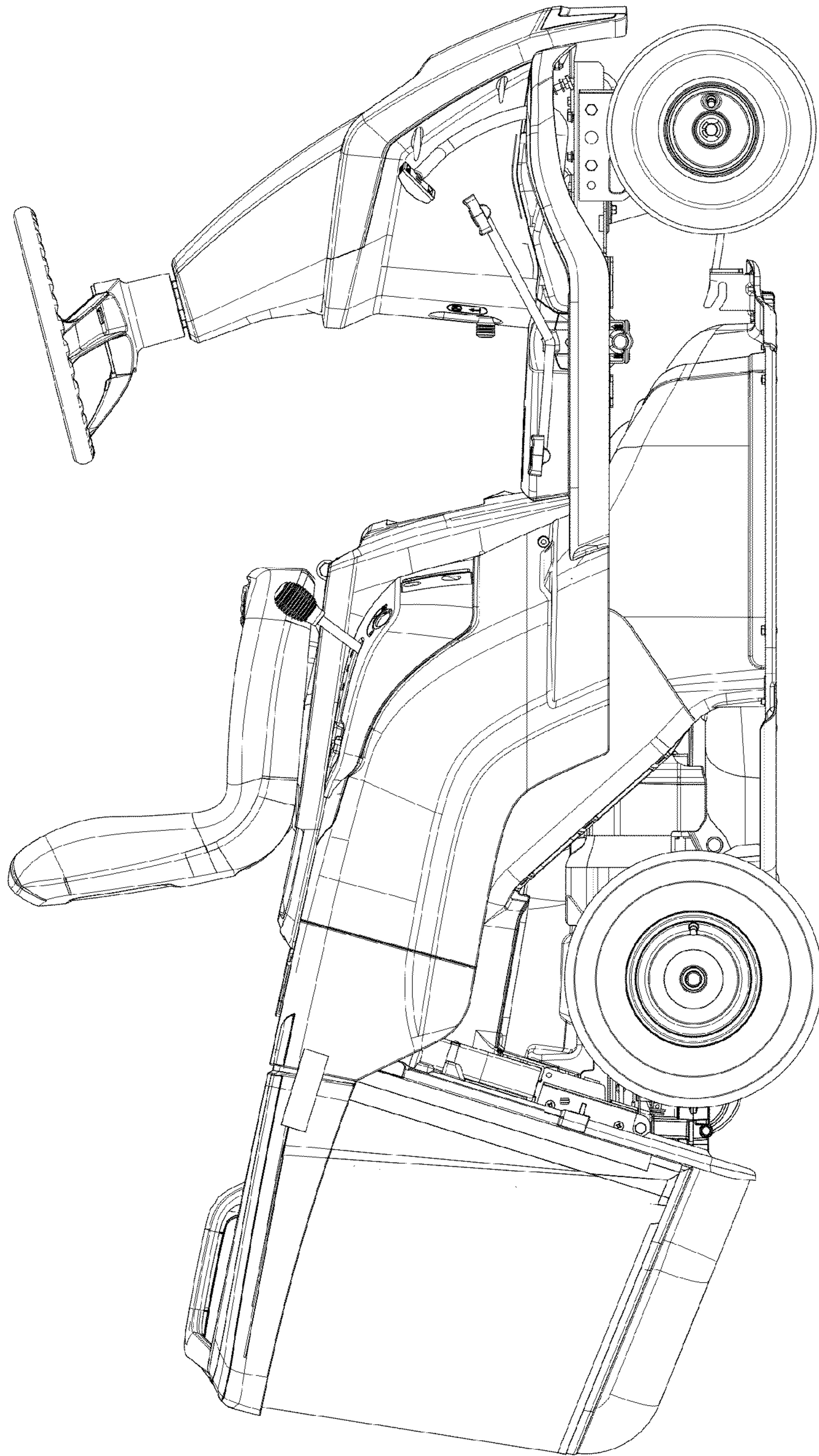


FIG. 6

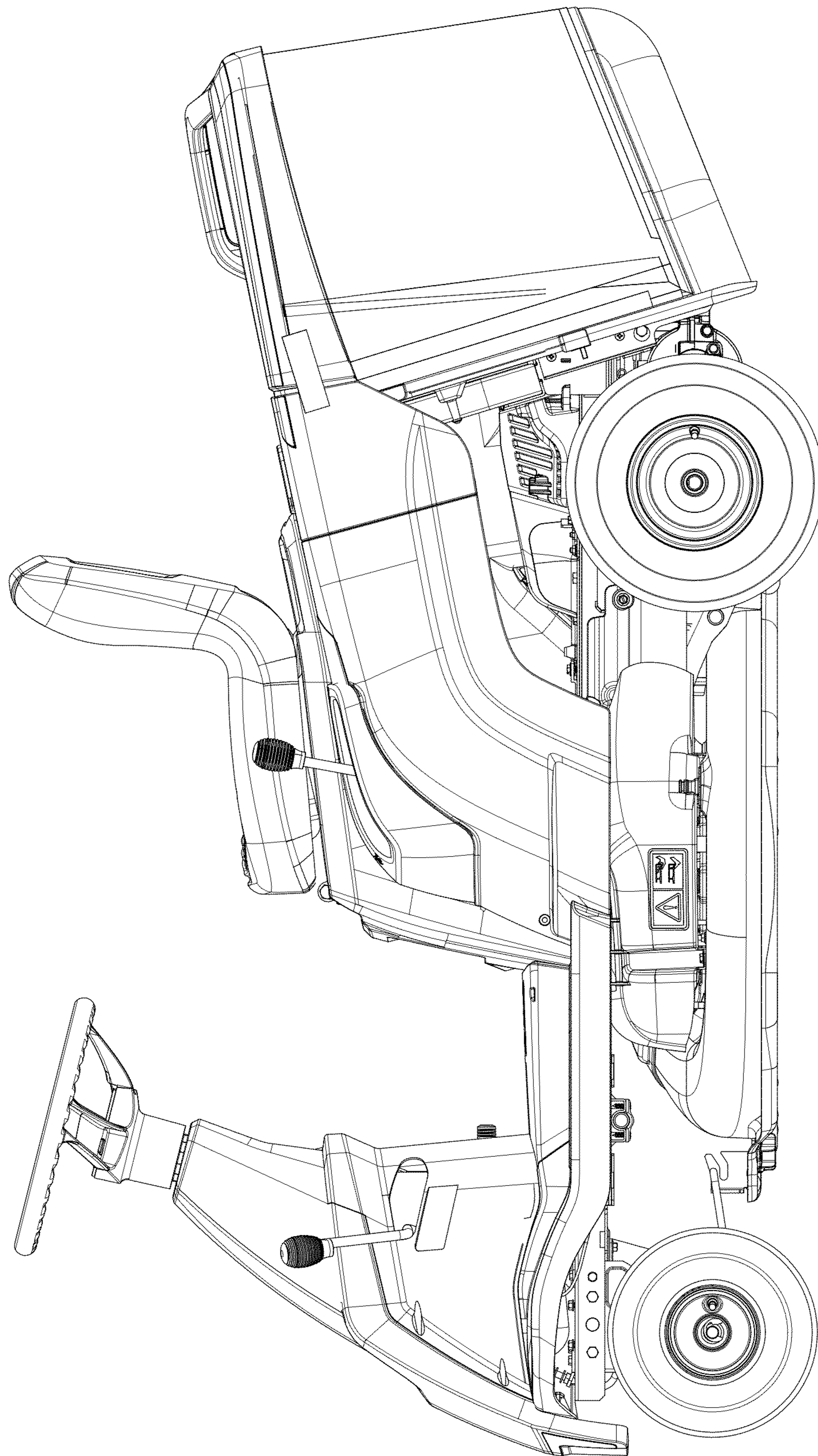


FIG. 7