



US00D707720S

(12) **United States Design Patent**  
**Burrows et al.**

(10) **Patent No.:** **US D707,720 S**  
(45) **Date of Patent:** **\*\* Jun. 24, 2014**

(54) **FILTER VIAL COMPRESSOR**

(56) **References Cited**

(71) Applicant: **GE Healthcare UK Limited**, Little Chalfont (GB)  
(72) Inventors: **Christopher Burrows**, Cardiff (GB);  
**Michael John Smith**, Cardiff (GB);  
**Aidan Paul Vaughan**, Cardiff (GB);  
**Neil John Williams**, Cardiff (GB);  
**David Gwyn Treharne**, Newport (GB)

U.S. PATENT DOCUMENTS

D227,168	S	*	6/1973	Chase et al.	.....	D15/7
D268,412	S	*	3/1983	Davis et al.	.....	D15/7
D290,126	S	*	6/1987	Krapowicz	.....	D15/7
D309,011	S	*	7/1990	Arioka et al.	.....	D24/164
D340,724	S	*	10/1993	Mariol	.....	D15/7
D340,727	S	*	10/1993	Anderson et al.	.....	D15/7
D500,770	S	*	1/2005	Pohler	.....	D15/7
D510,363	S	*	10/2005	Leone et al.	.....	D15/7
D639,311	S	*	6/2011	Peterson et al.	.....	D15/7

\* cited by examiner

(73) Assignee: **GE Healthcare UK Limited**, Little Chalfont (GB)

*Primary Examiner* — Ralf Seifert

(\*\*) Term: **14 Years**

(57) **CLAIM**

The ornamental design for the filter vial compressor, as shown and described.

(21) Appl. No.: **29/458,519**

**DESCRIPTION**

(22) Filed: **Jun. 20, 2013**

FIG. 1 is a perspective view of the filter vial compressor showing our new design.

(30) **Foreign Application Priority Data**

Dec. 20, 2012 (GB) ..... 4027918

FIG. 2 is a front view of the filter vial compressor of FIG. 1

(51) **LOC (10) Cl.** ..... **15-02**

FIG. 3 is a plan view of the filter vial compressor of FIG. 1.

(52) **U.S. Cl.**  
USPC ..... **D15/9**

FIG. 4 is a left view of the filter vial compressor of FIG. 1.

(58) **Field of Classification Search**  
USPC ..... D15/7-9; D23/231, 232, 225; 417/60,  
417/235, 265, 321, 355, 358, 363, 359,  
417/410.1, 415-416, 405, 900, 279;  
60/408, 412; 184/26-37; 415/140-147;  
123/495, 509

FIG. 5 is a right view of the filter vial compressor of FIG. 1; and,

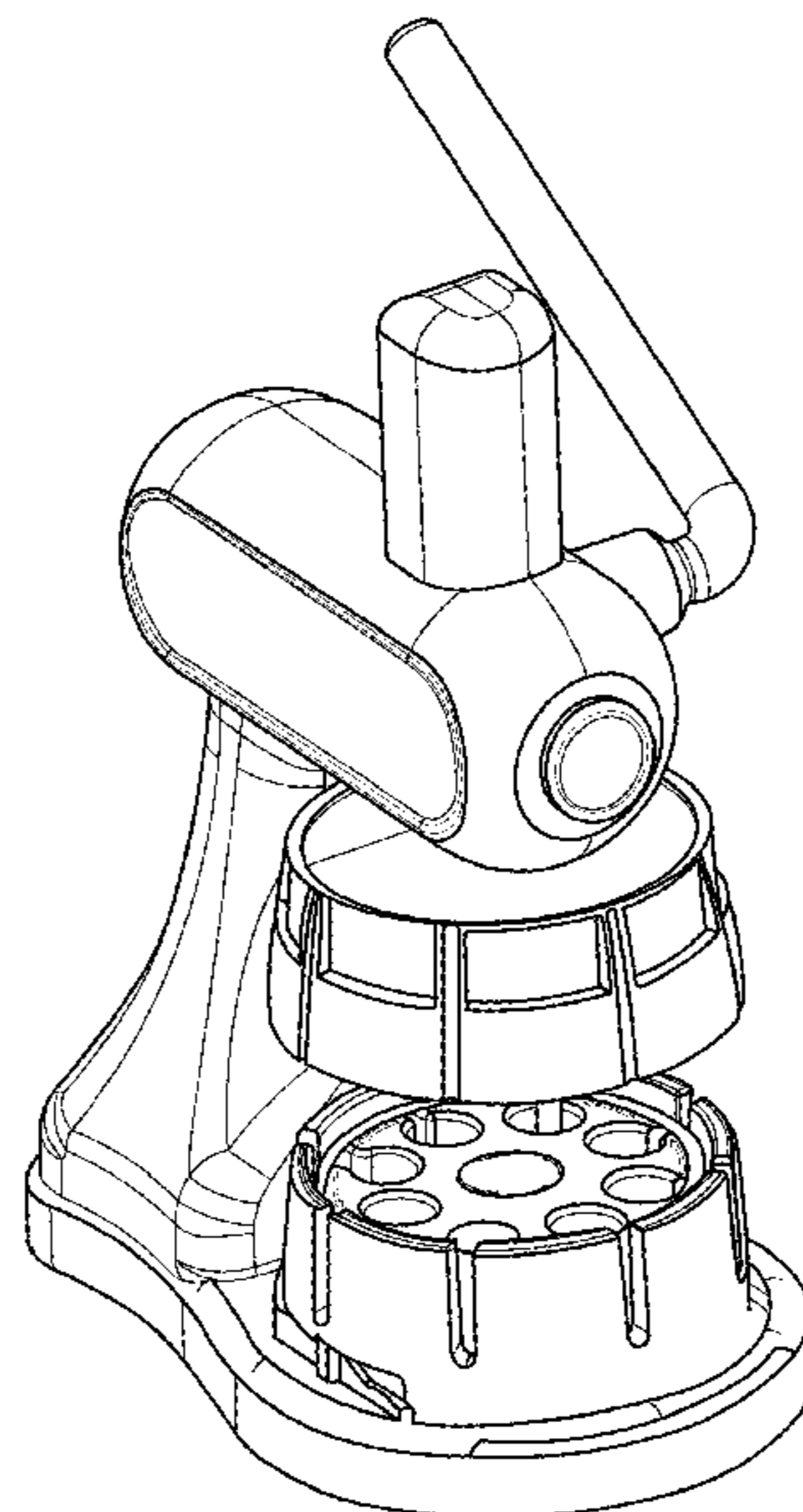
FIG. 6 is a underside view of the filter vial compressor of FIG. 1.

The broken lines in FIG. 4 is included for the purpose of illustrating portions of the filter vial compressor that form no part of the claimed design.

The design is for a compressor device for use in compressing multiple filter vials each containing laboratory liquid samples to be filtered. The device may comprise a holder for holding a plurality of filter vials in a two-dimensional circular array, and a compressor device. The compressor includes a pusher which can be moved downwardly by an actuator to compress the vials held in the two-dimensional array.

See application file for complete search history.

**1 Claim, 6 Drawing Sheets**



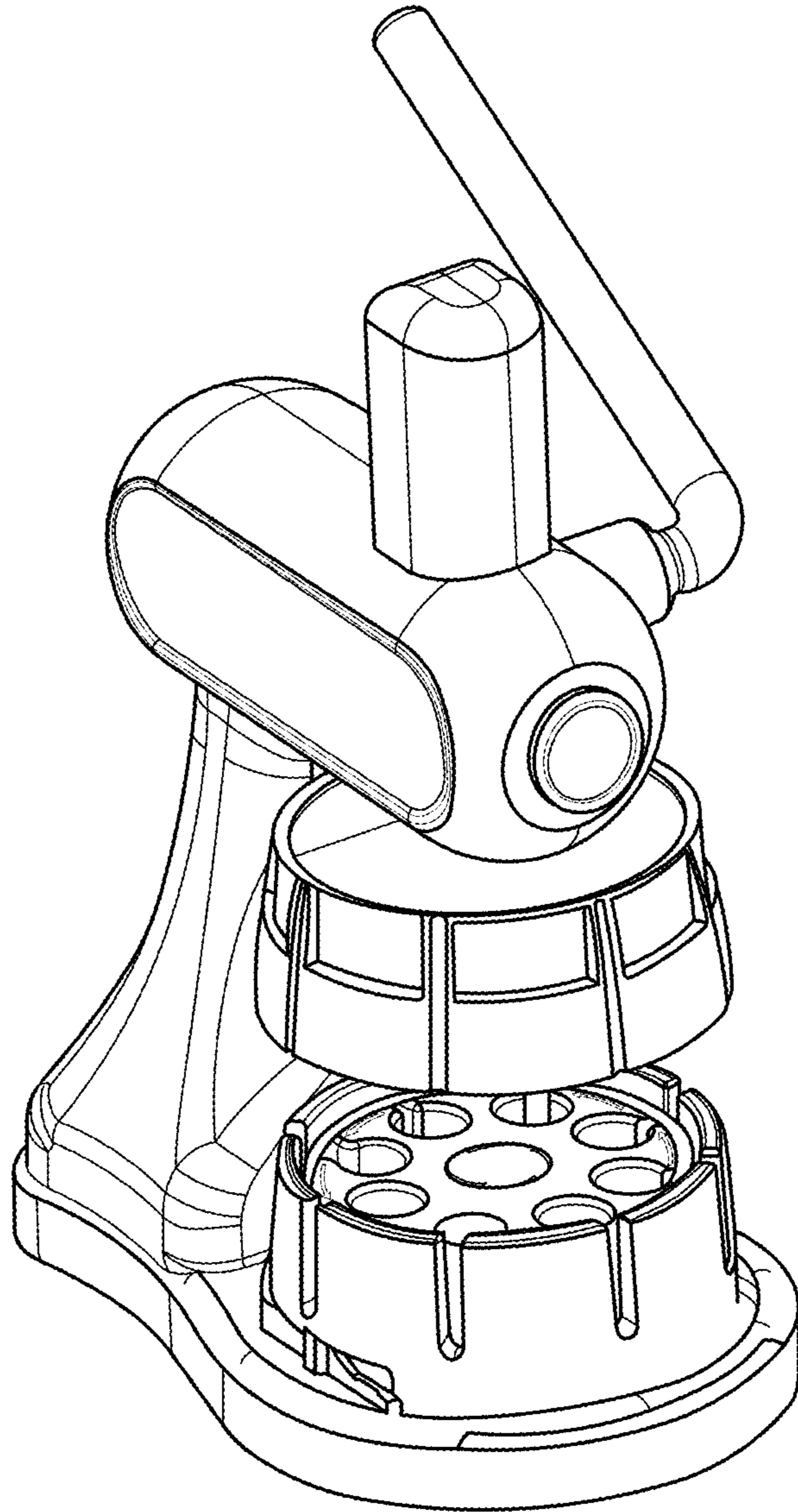


FIG. 1

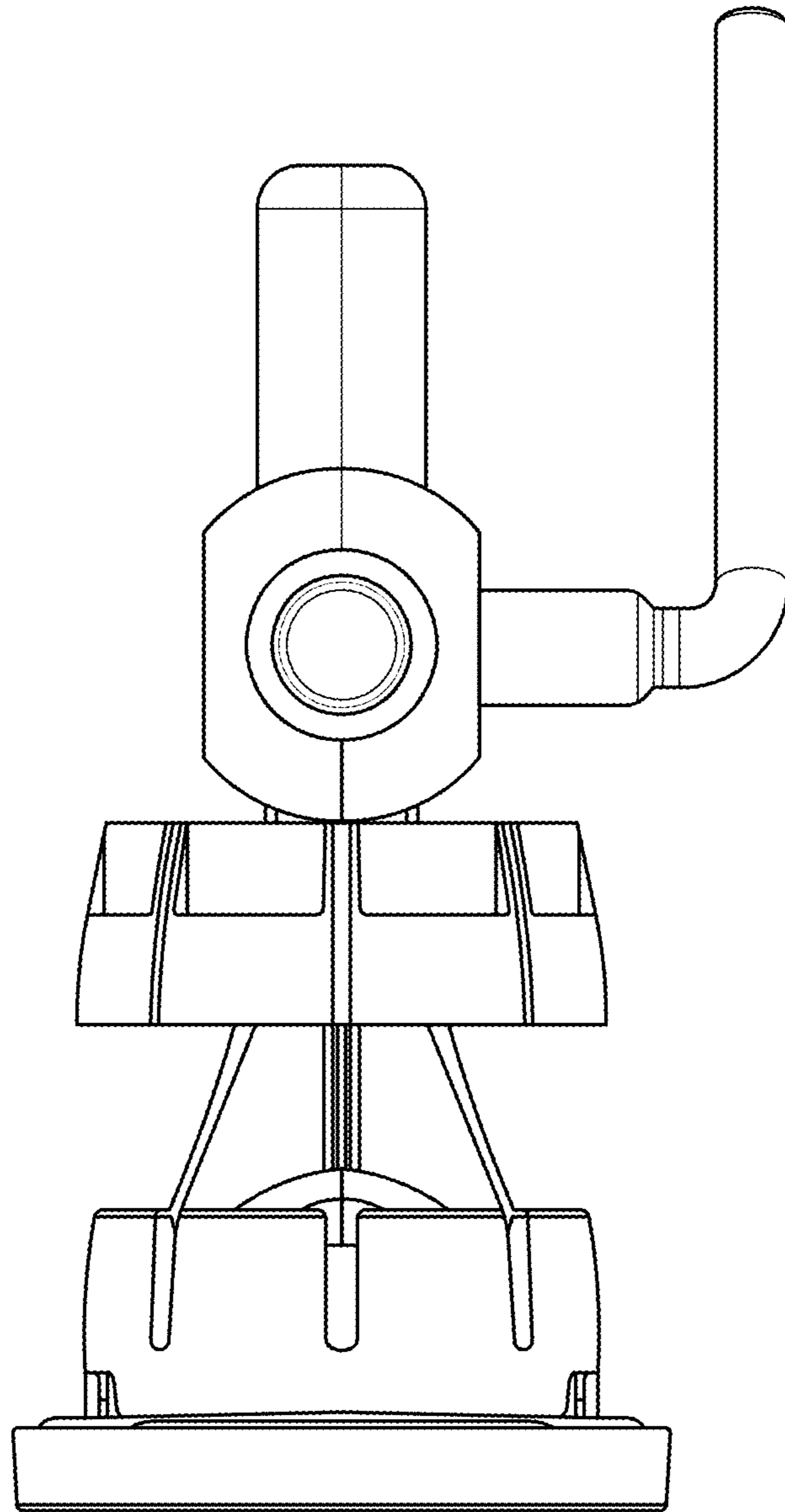


FIG. 2

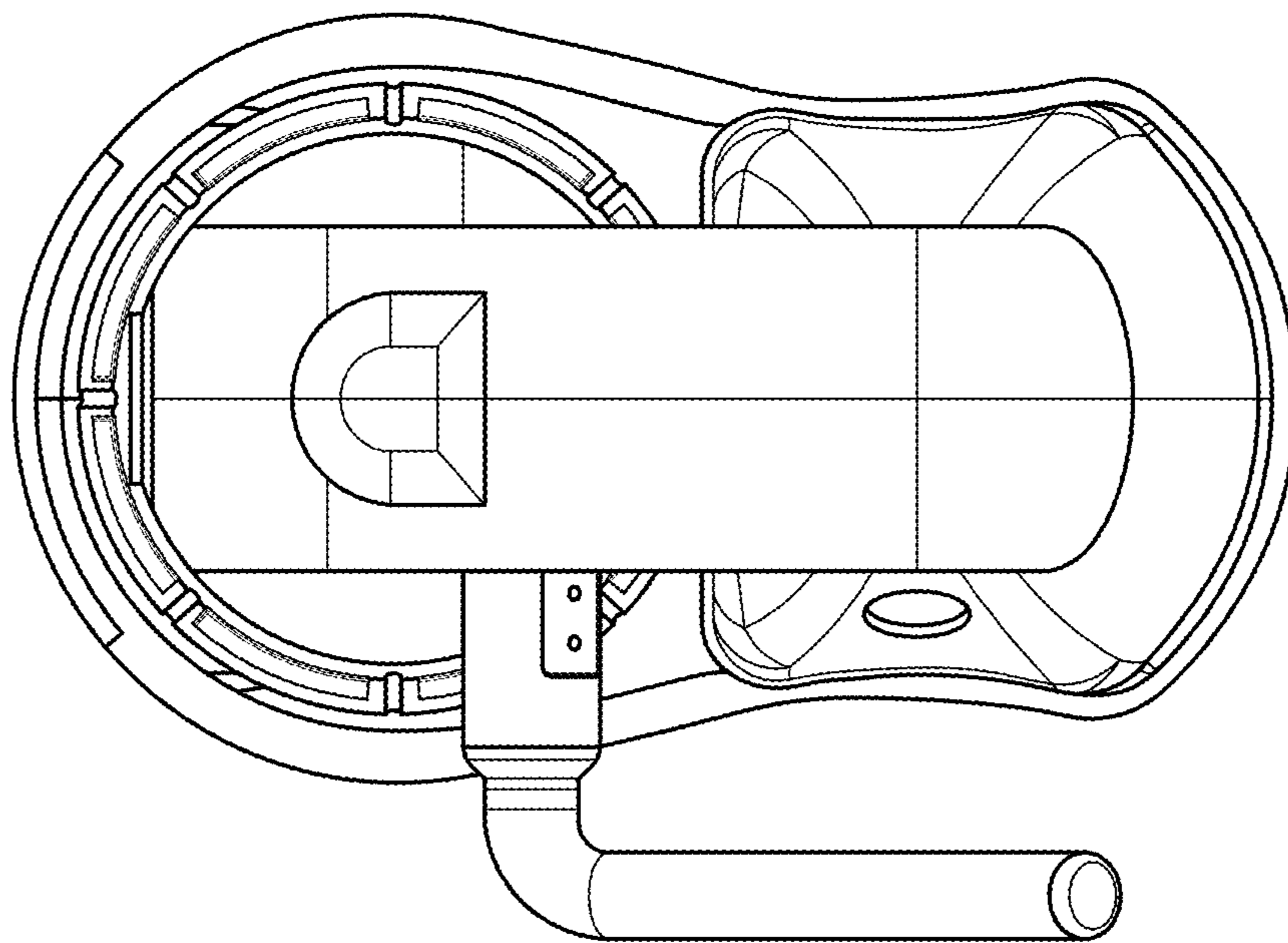


FIG. 3

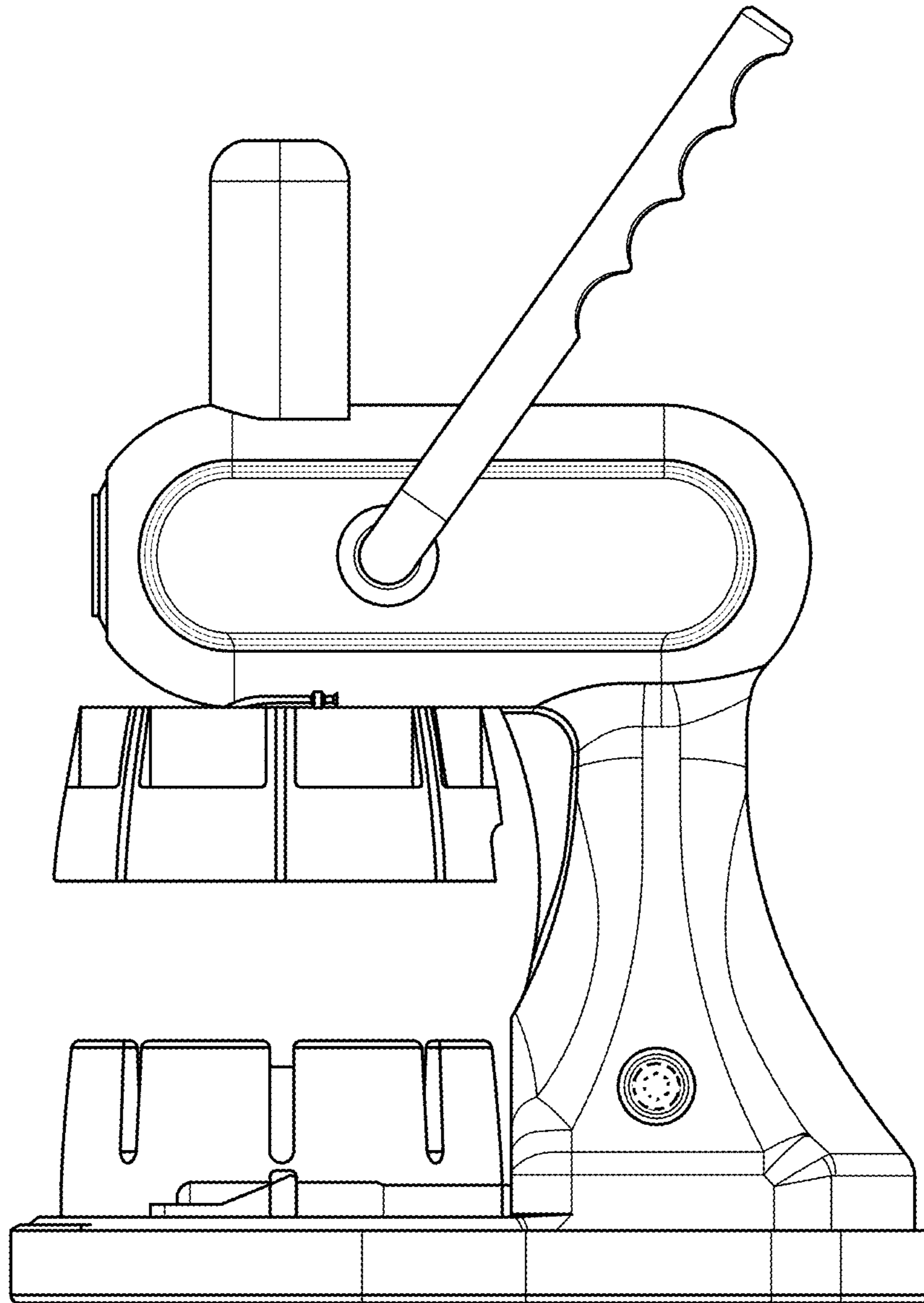


FIG. 4

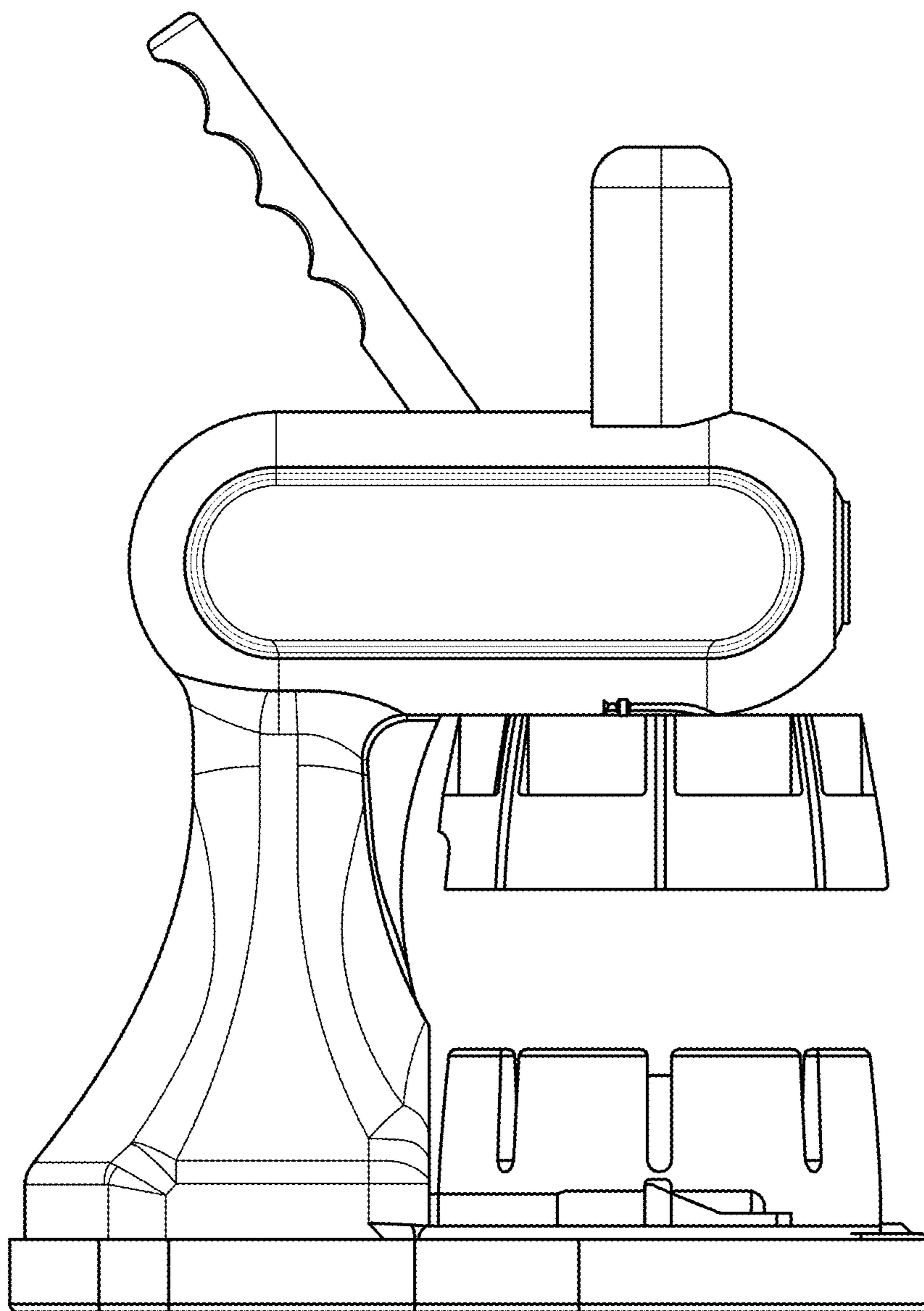


FIG. 5

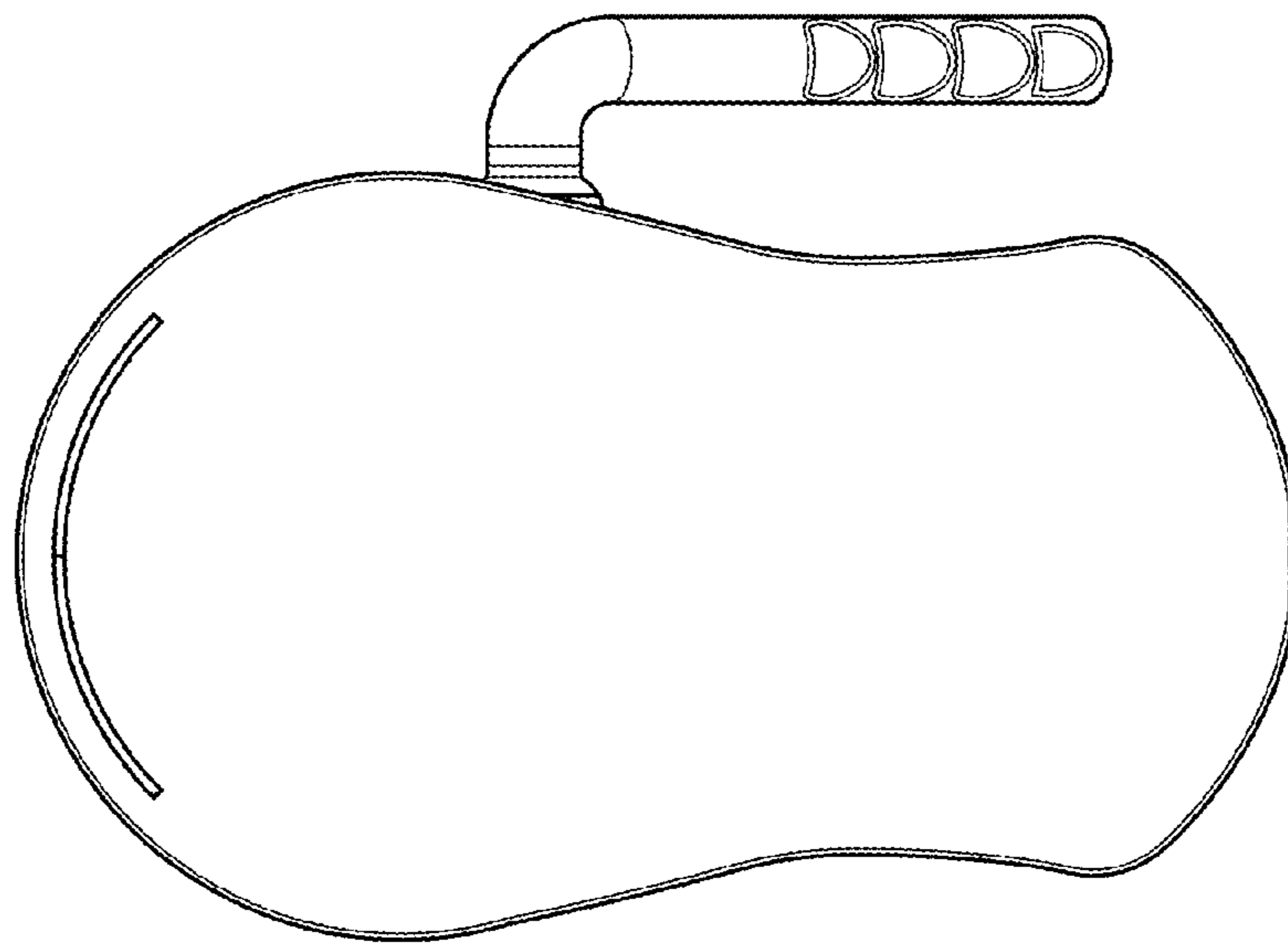


FIG. 6