



US00D707719S

(12) **United States Design Patent**  
**Kamijyo**

(10) **Patent No.:** **US D707,719 S**  
(45) **Date of Patent:** **\*\* Jun. 24, 2014**

(54) **ELECTRIC HYDRAULIC PUMP BODY**  
(71) Applicant: **Izumi Products Company**, Matsumoto (JP)  
(72) Inventor: **Keiichiro Kamijyo**, Matsumoto (JP)  
(73) Assignee: **IZUMI Products Company**, Matsumoto-shi, Nagano (JP)

D512,727 S 12/2005 Hussaini et al.  
D522,534 S \* 6/2006 Kawasaki ..... D15/7  
D594,880 S \* 6/2009 Austen et al. .... D15/7  
D611,962 S 3/2010 Schneider et al.  
D621,853 S \* 8/2010 Sundheim et al. .... D15/7  
D643,857 S \* 8/2011 Wu et al. .... D15/7  
D678,339 S 3/2013 Hughes et al.

(\*\*) Term: **14 Years**

**FOREIGN PATENT DOCUMENTS**

JP 926074 5/1995

(21) Appl. No.: **29/473,837**

(22) Filed: **Nov. 26, 2013**

**OTHER PUBLICATIONS**

Izumi product catalog (3 pages).

(51) **LOC (10) Cl.** ..... **15-02**

(52) **U.S. Cl.**  
USPC ..... **D15/7**

\* cited by examiner

*Primary Examiner* — Ralf Seifert

(58) **Field of Classification Search**  
CPC ..... F04B 25/00; F04B 27/00; F04B 33/00;  
F04B 35/00; F04B 37/00; F04B 39/00;  
F04B 39/12; F04B 41/00; F04B 23/00  
USPC ..... D15/7-9; D23/231, 232, 225; 417/60,  
417/235, 265, 321, 355, 358, 363, 359,  
417/410.1, 415-416, 405, 900; 60/408,  
60/412; 184/26-37; 415/140-147;  
123/495, 509

(74) *Attorney, Agent, or Firm* — Merchant & Gould P.C.

(57) **CLAIM**

I claim, the ornamental design for an electric hydraulic pump body, as shown and described.

See application file for complete search history.

**DESCRIPTION**

FIG. 1 is a front right perspective view of an electric hydraulic pump body,  
FIG. 2 is a rear right perspective view thereof,  
FIG. 3 is a front left perspective view thereof,  
FIG. 4 is a front view thereof,  
FIG. 5 is a rear view thereof,  
FIG. 6 is a top plan view thereof,  
FIG. 7 is a bottom plan view thereof,  
FIG. 8 is a left side view thereof; and,  
FIG. 9 is a right side view of thereof.

(56) **References Cited**

**U.S. PATENT DOCUMENTS**

D316,098 S \* 4/1991 Kille ..... D15/7  
D409,206 S \* 5/1999 Wang ..... D15/9  
D434,423 S \* 11/2000 Wang ..... D15/9

**1 Claim, 9 Drawing Sheets**

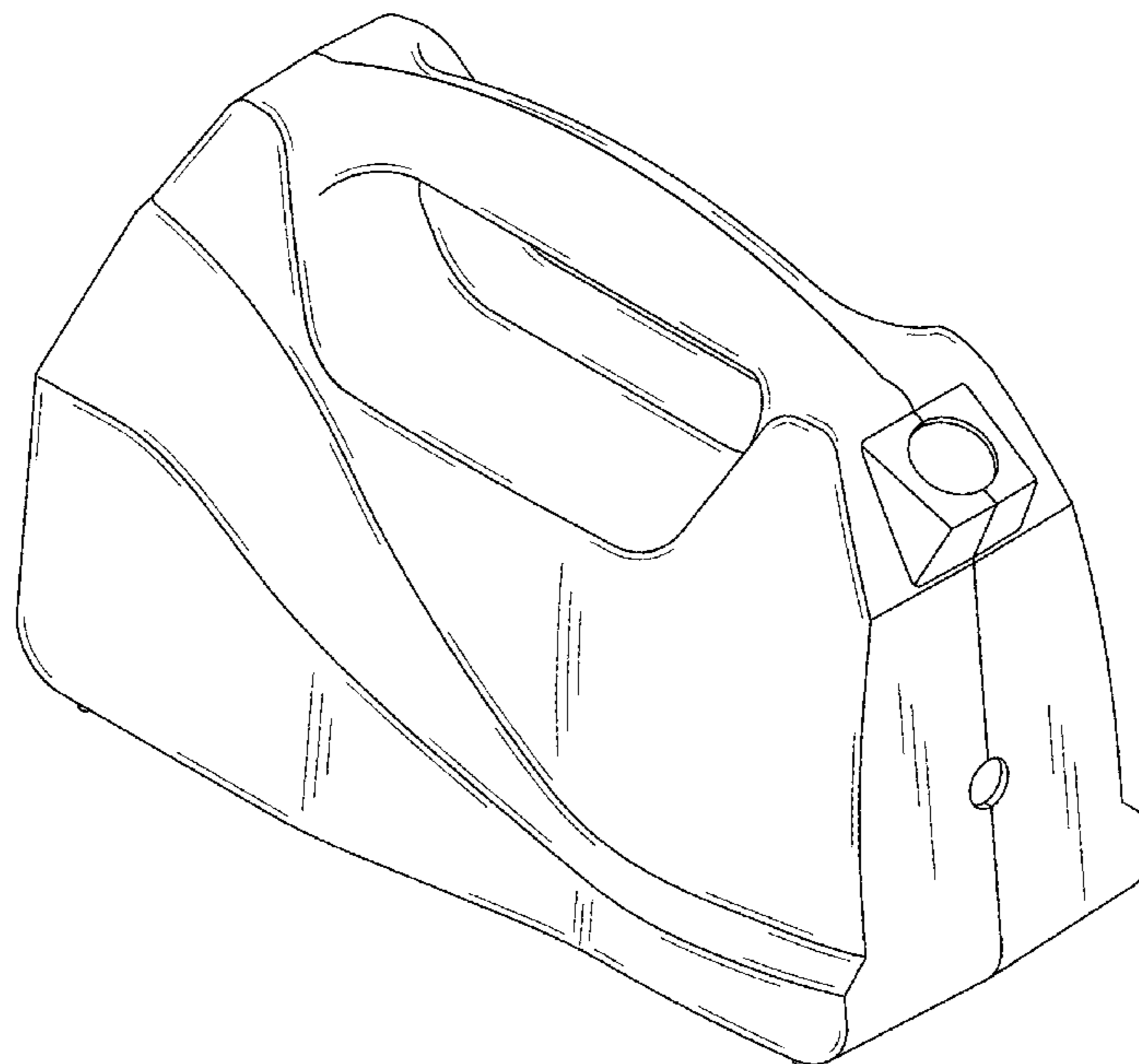


FIG. 1

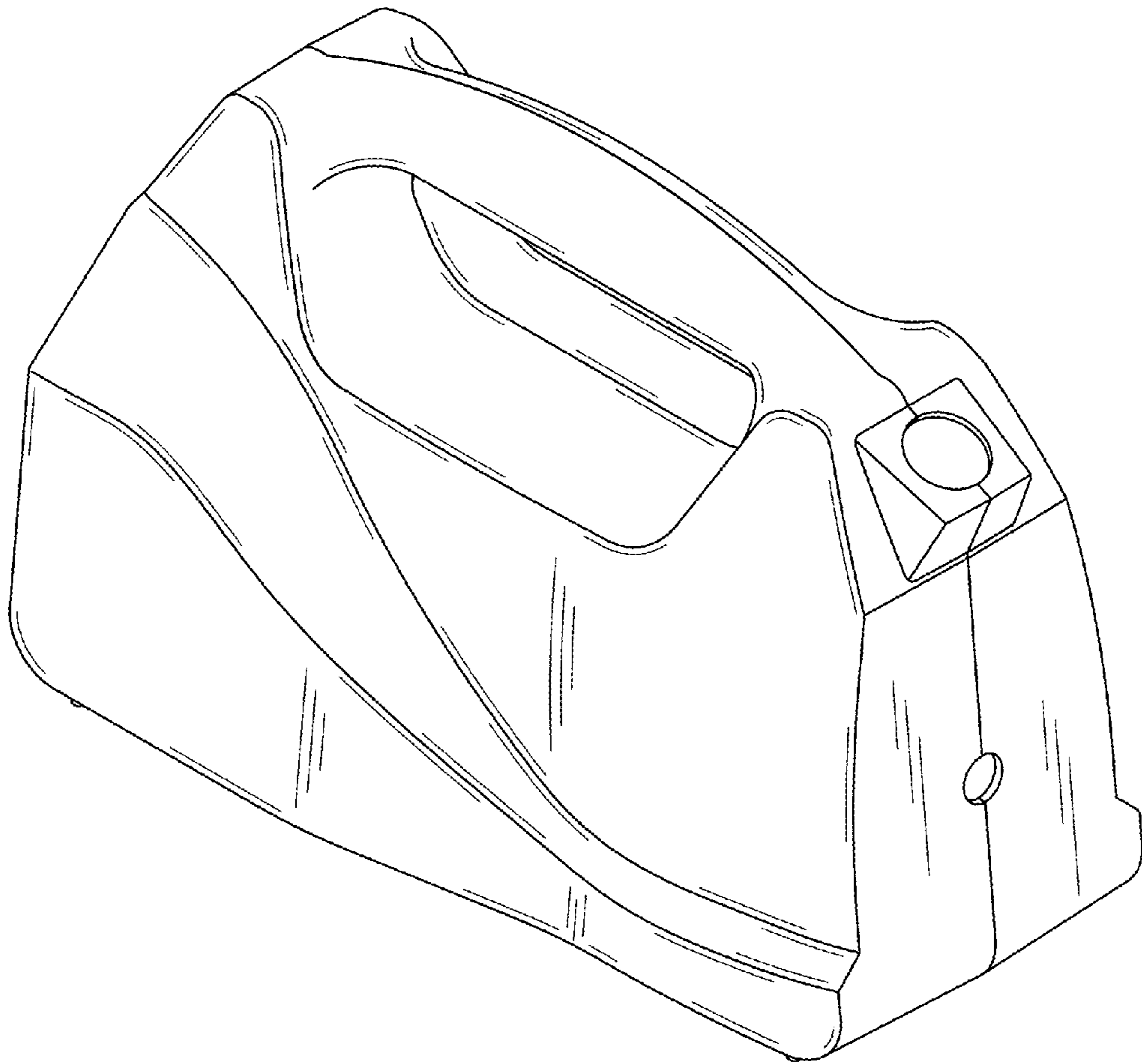


FIG.2

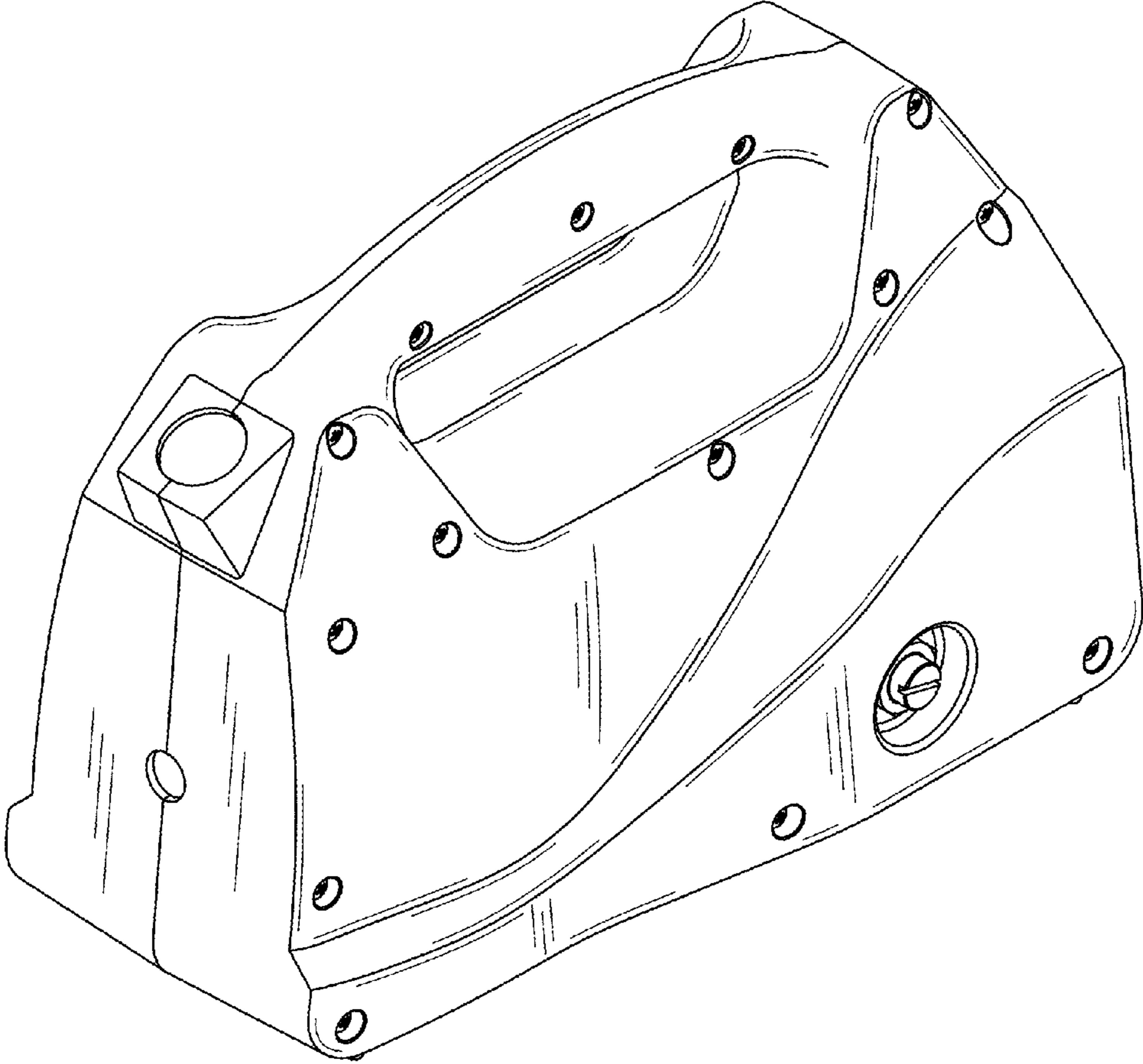


FIG.3

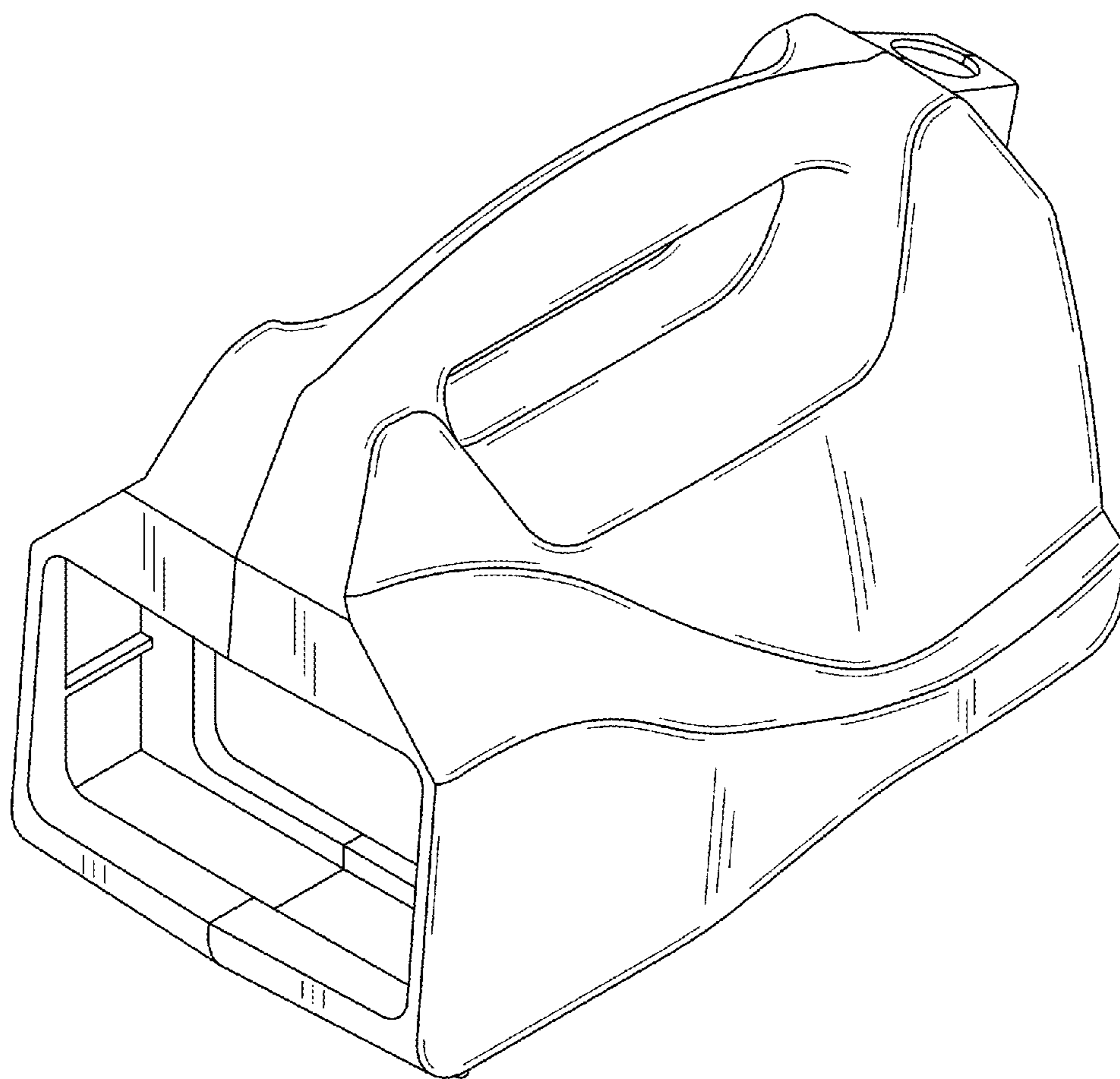


FIG.4

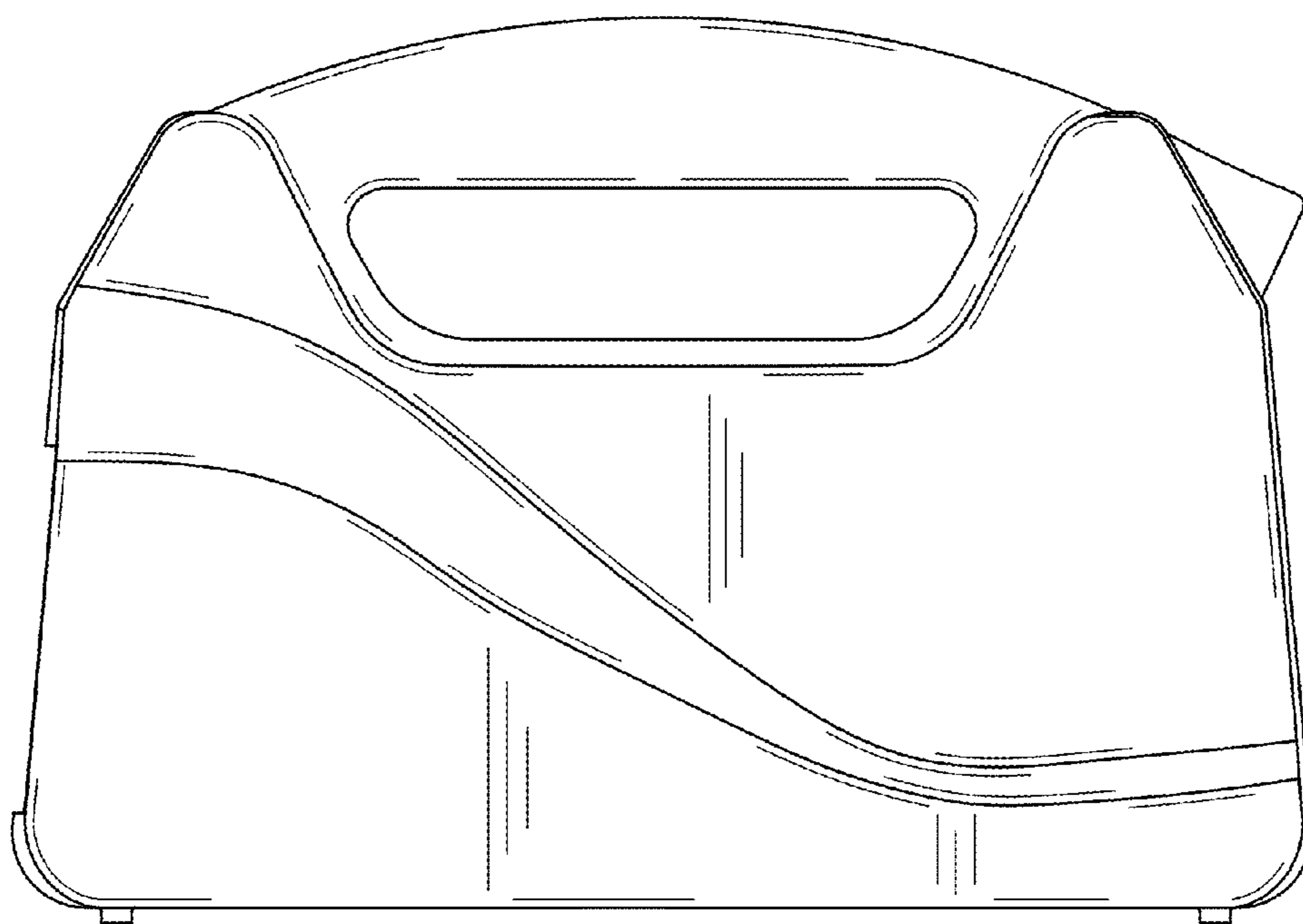


FIG.5

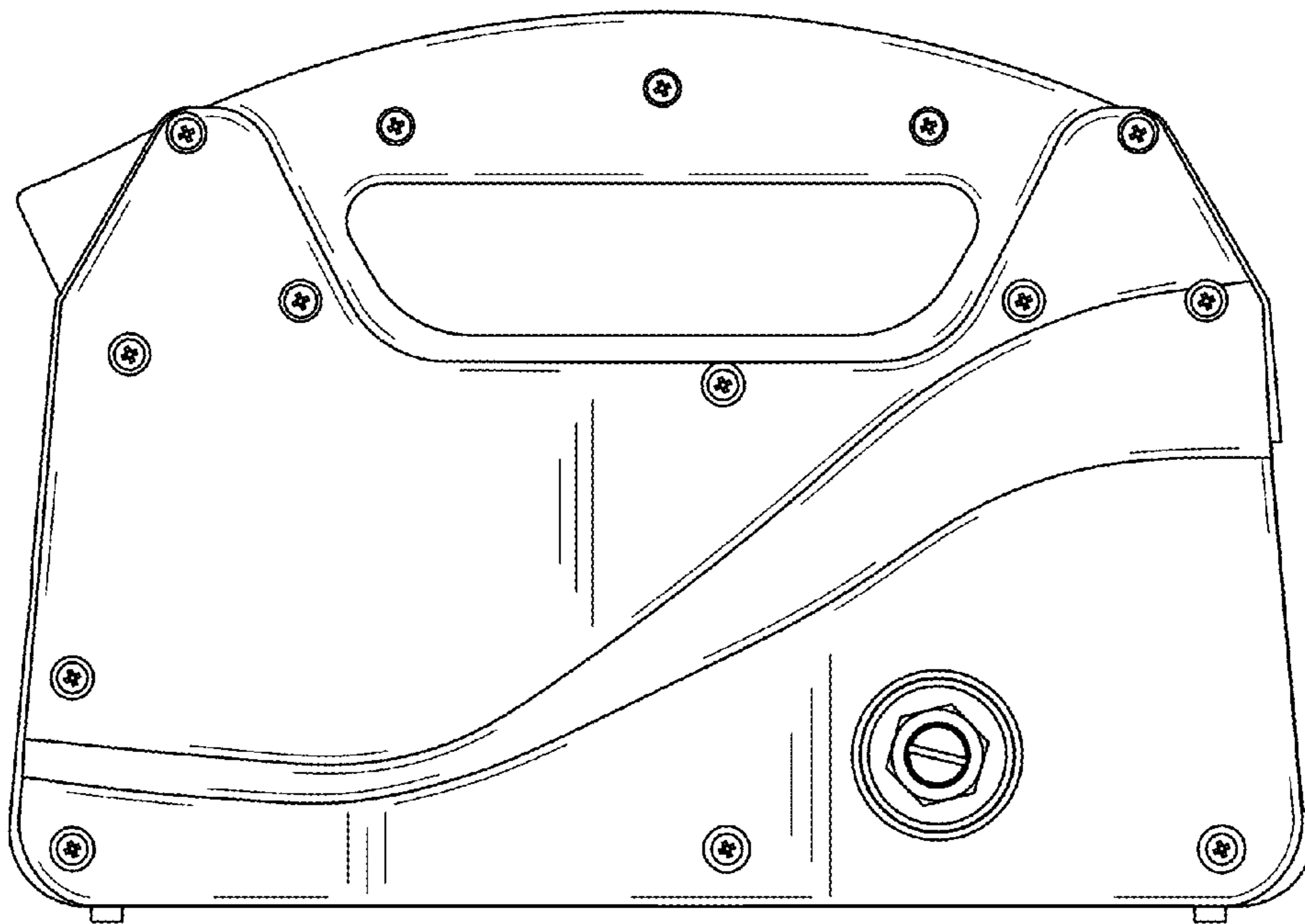




FIG.6

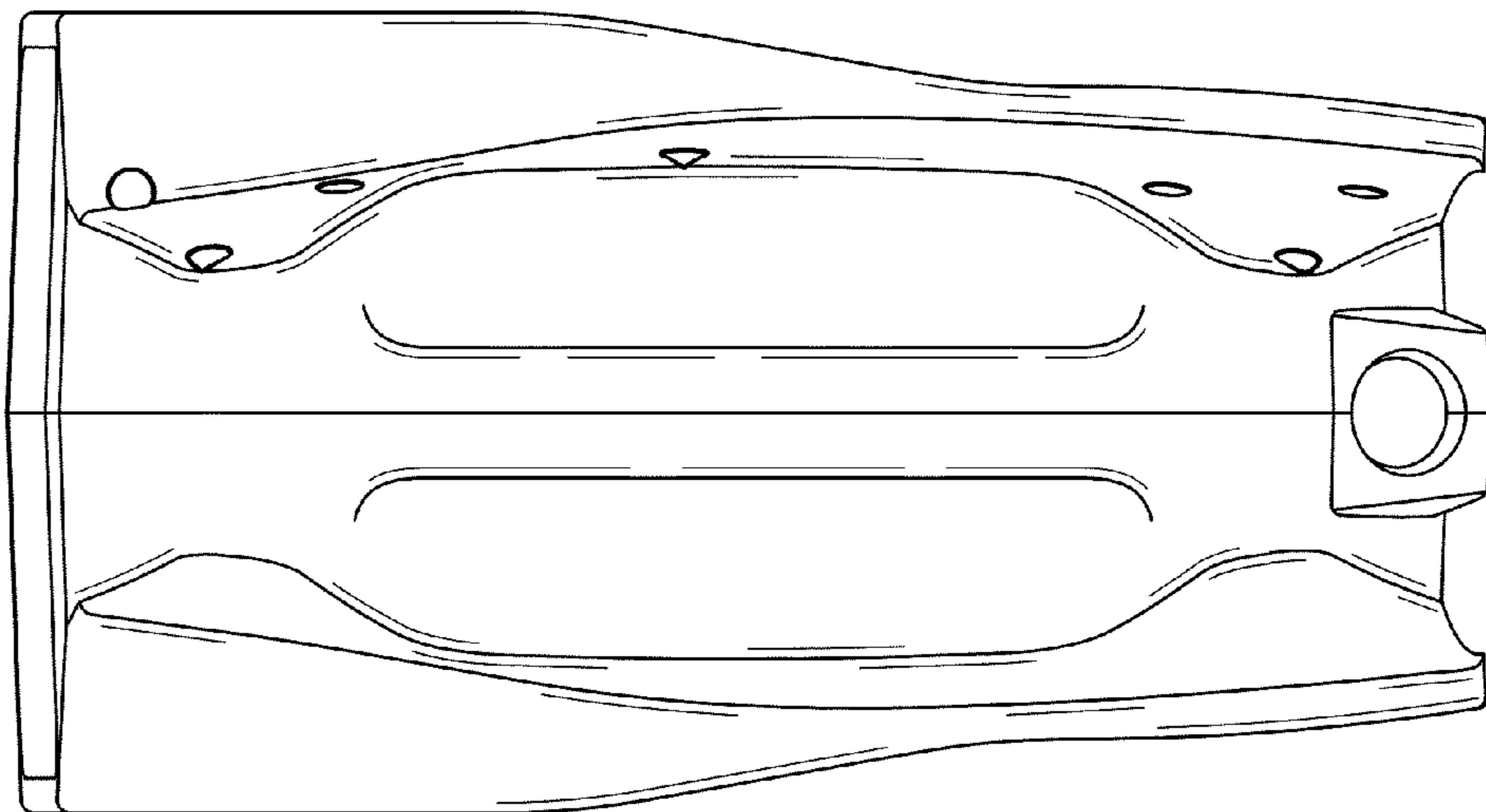


FIG. 7

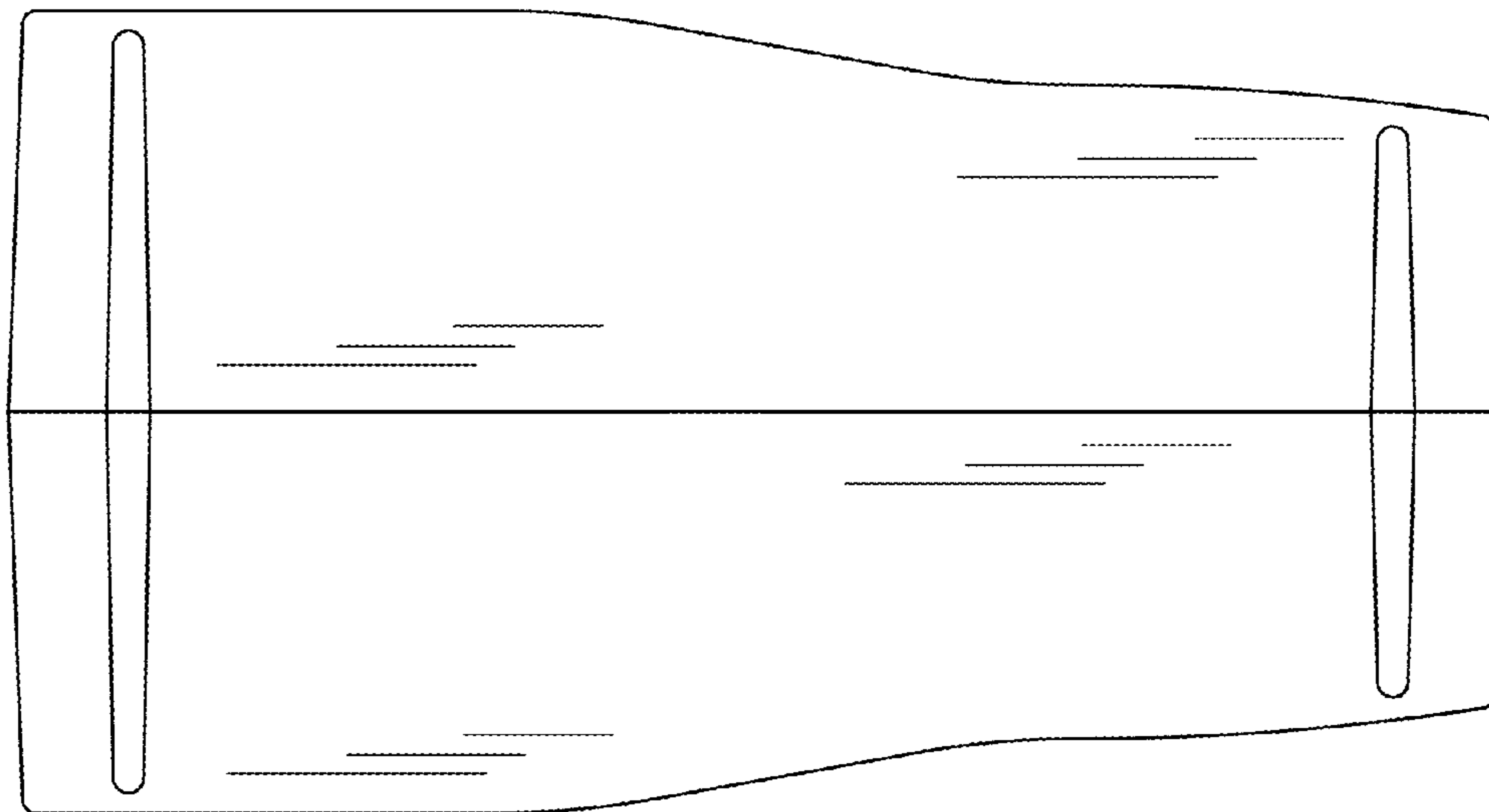




FIG. 8

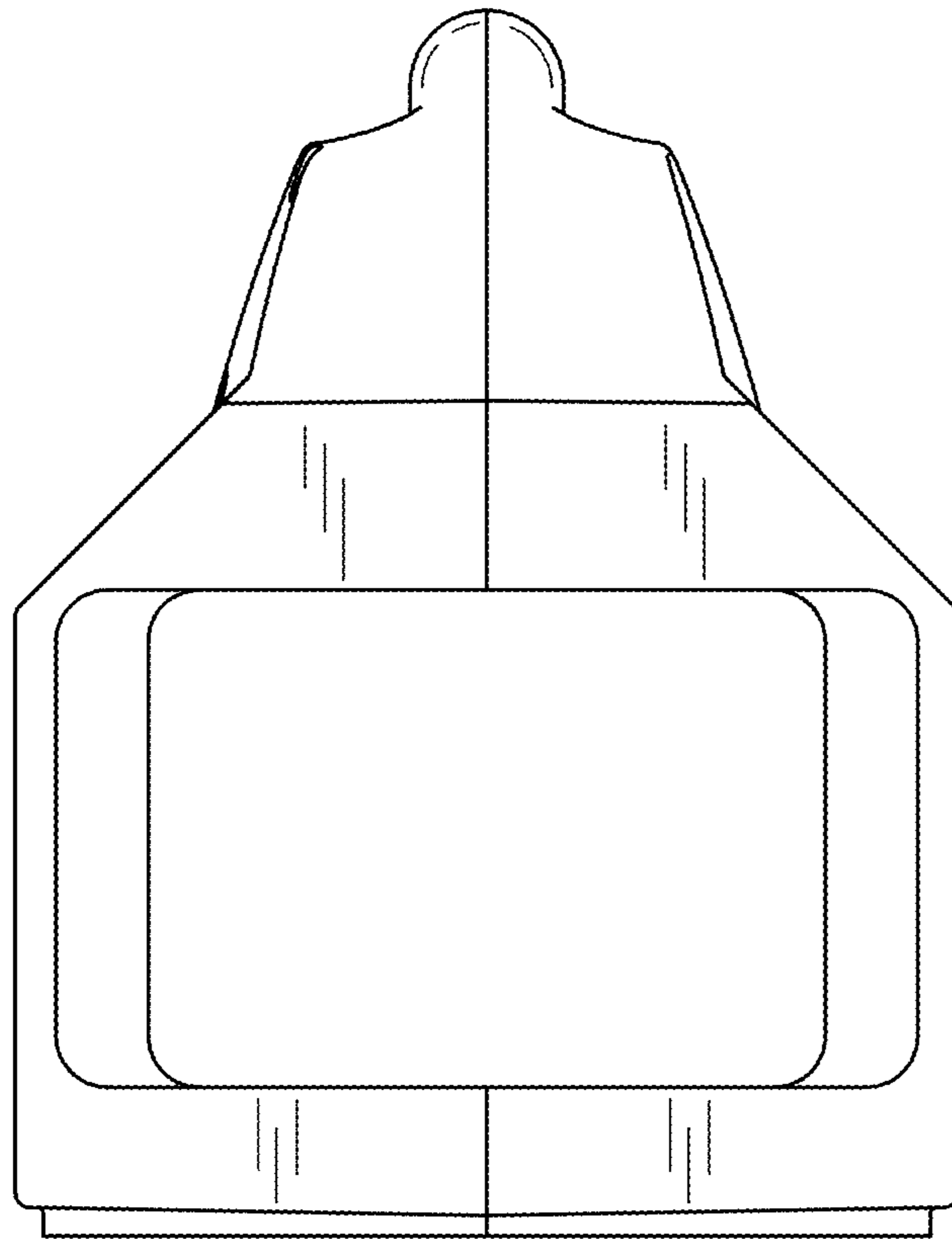


FIG. 9

