



US00D707718S

(12) **United States Design Patent**
Gomez

(10) **Patent No.:** **US D707,718 S**

(45) **Date of Patent:** **** Jun. 24, 2014**

(54) **SUMP PLATE**

(71) Applicant: **Lance Tracey Gomez**, Taipei (TW)

(72) Inventor: **Lance Tracey Gomez**, Taipei (TW)

(**) Term: **14 Years**

(21) Appl. No.: **29/472,231**

(22) Filed: **Nov. 11, 2013**

(51) **LOC (10) Cl.** **15-02**

(52) **U.S. Cl.**
USPC **D15/7**

(58) **Field of Classification Search**

CPC F04B 25/00; F04B 27/00; F04B 33/00;
F04B 35/00; F04B 37/00; F04B 39/00;
F04B 39/12; F04B 41/00
USPC D15/7-9; D23/231, 232, 225; 417/60,
417/235, 265, 321, 355, 358, 363, 359,
417/410.1, 415-416, 405, 900; 60/408,
60/412; 184/26-37; 415/140-147;
123/495, 509

See application file for complete search history.

(56) **References Cited**

U.S. PATENT DOCUMENTS

D436,603 S * 1/2001 Mackie et al. D15/9
D602,501 S * 10/2009 Ton D15/7
D611,504 S * 3/2010 Ton D15/7
D617,349 S * 6/2010 Chu D15/9

* cited by examiner

Primary Examiner — Ralf Seifert

(74) *Attorney, Agent, or Firm* — Rosenberg, Klein & Lee

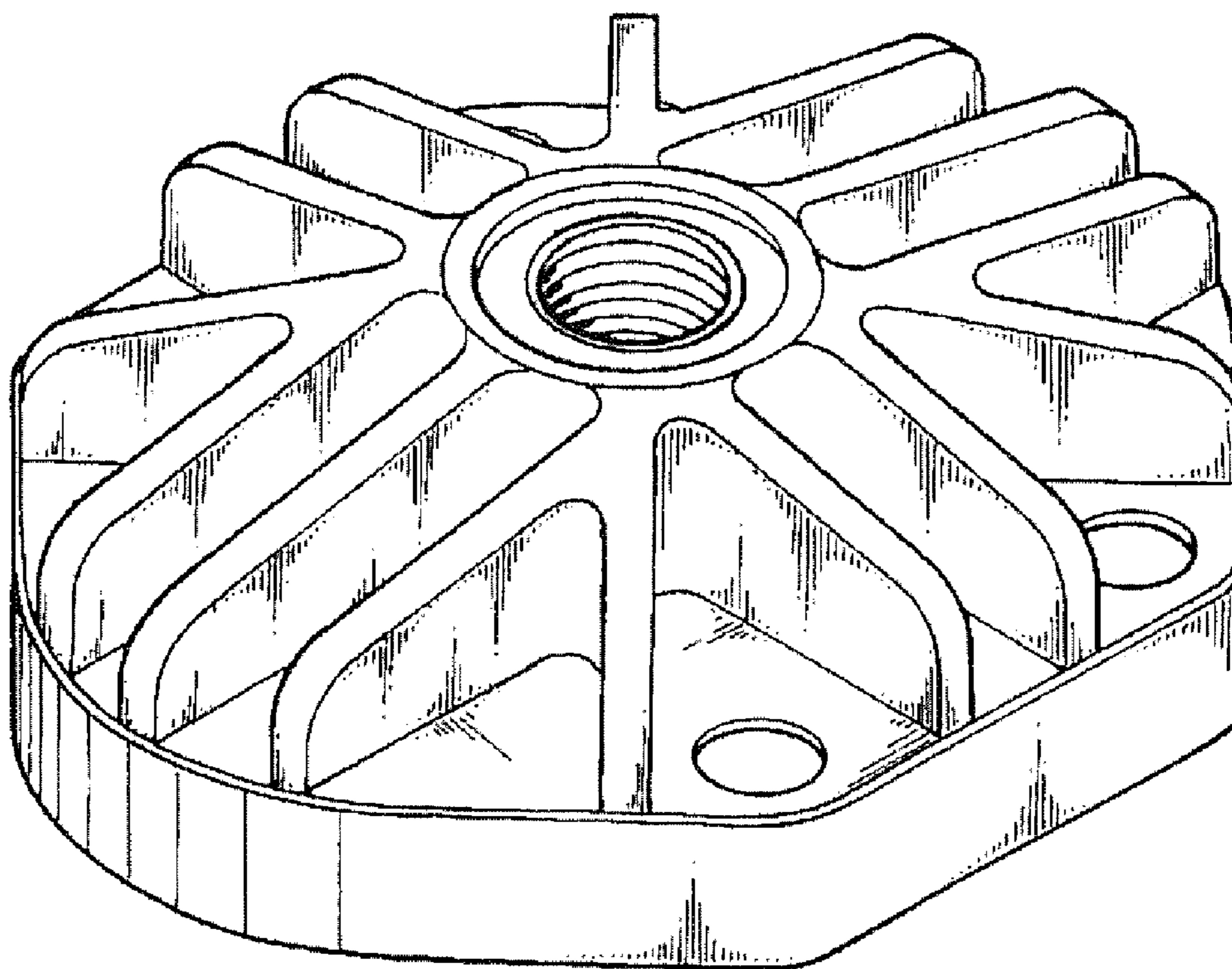
(57) **CLAIM**

The ornamental design for a sump plate, as shown and described.

DESCRIPTION

FIG. 1 is a perspective view showing my new design;
FIG. 2 is a front view thereof;
FIG. 3 is a rear view thereof;
FIG. 4 is a left side view thereof;
FIG. 5 is a right side view thereof;
FIG. 6 is a top view thereof; and,
FIG. 7 is a bottom view thereof.

1 Claim, 5 Drawing Sheets



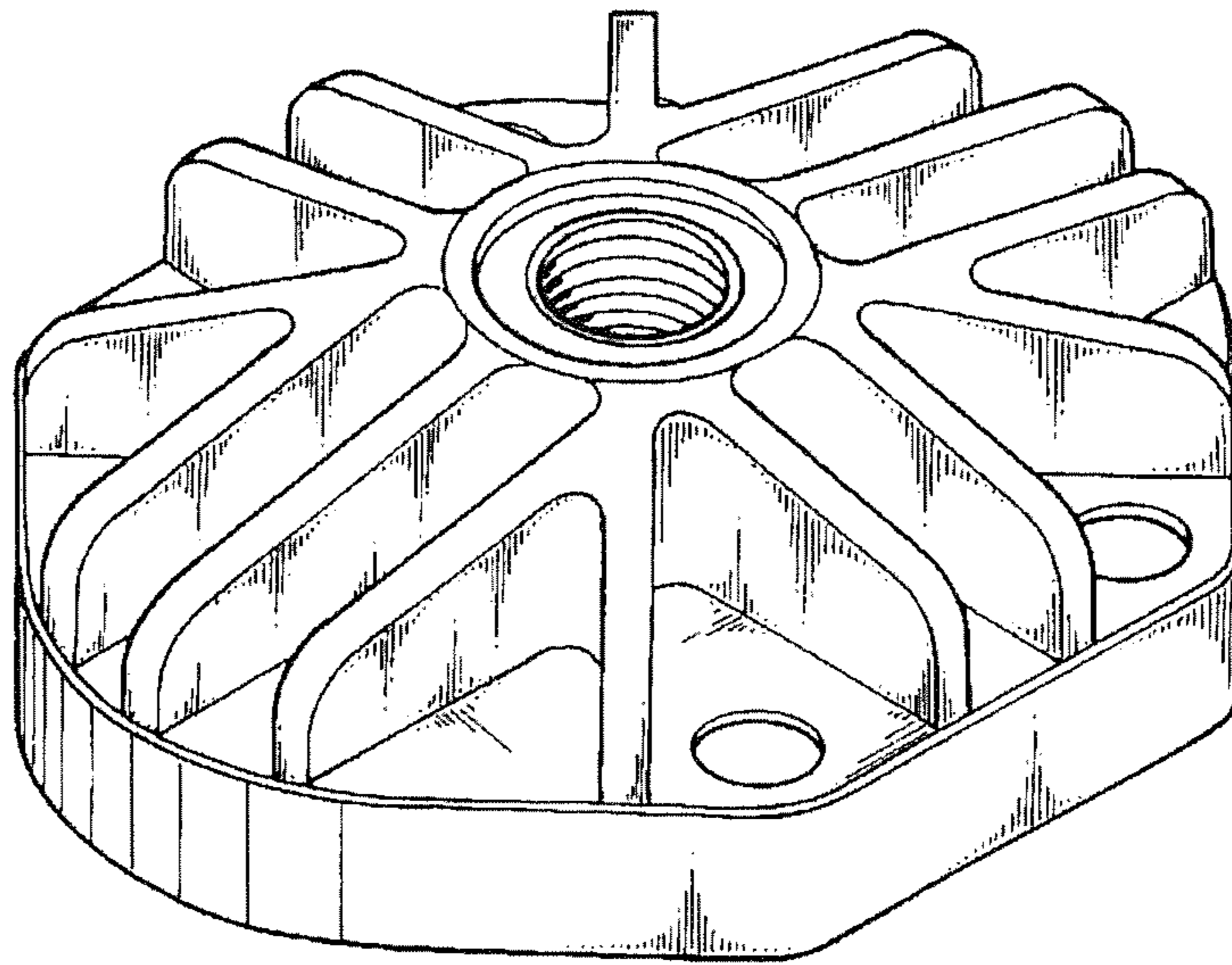


FIG.1

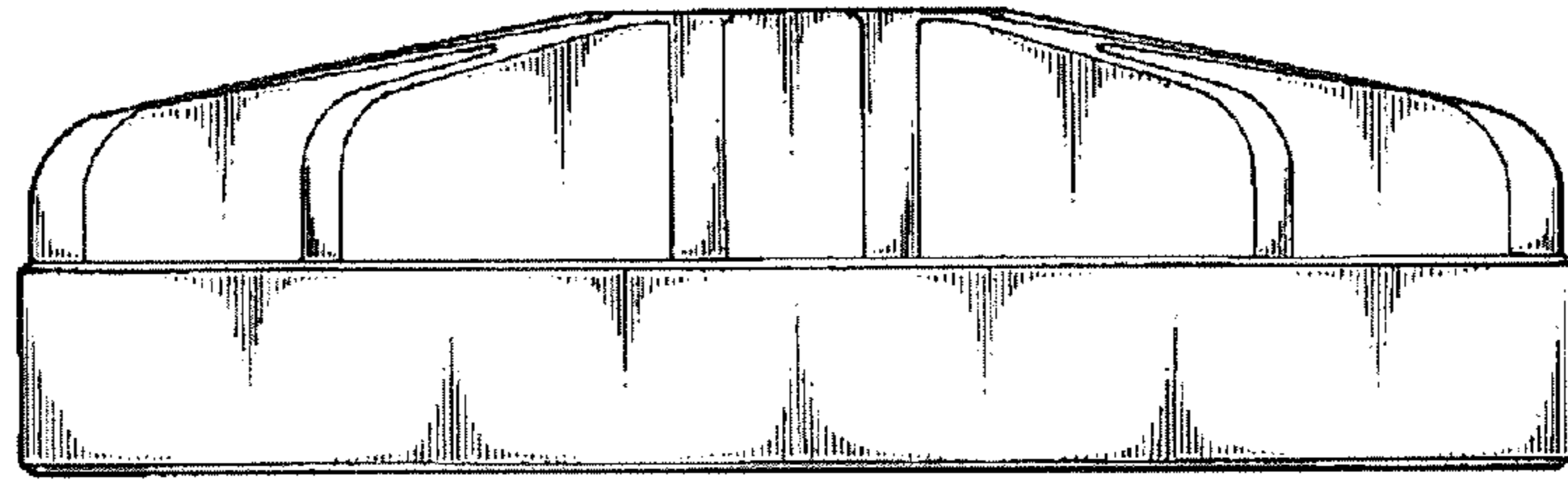


FIG. 2

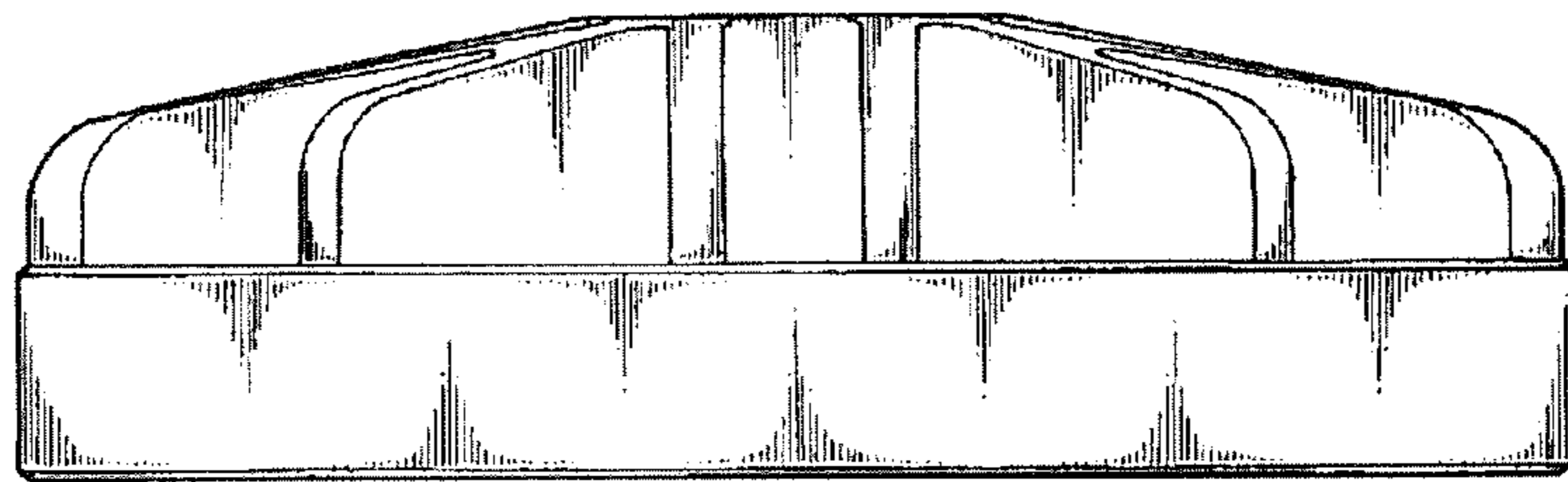


FIG. 3

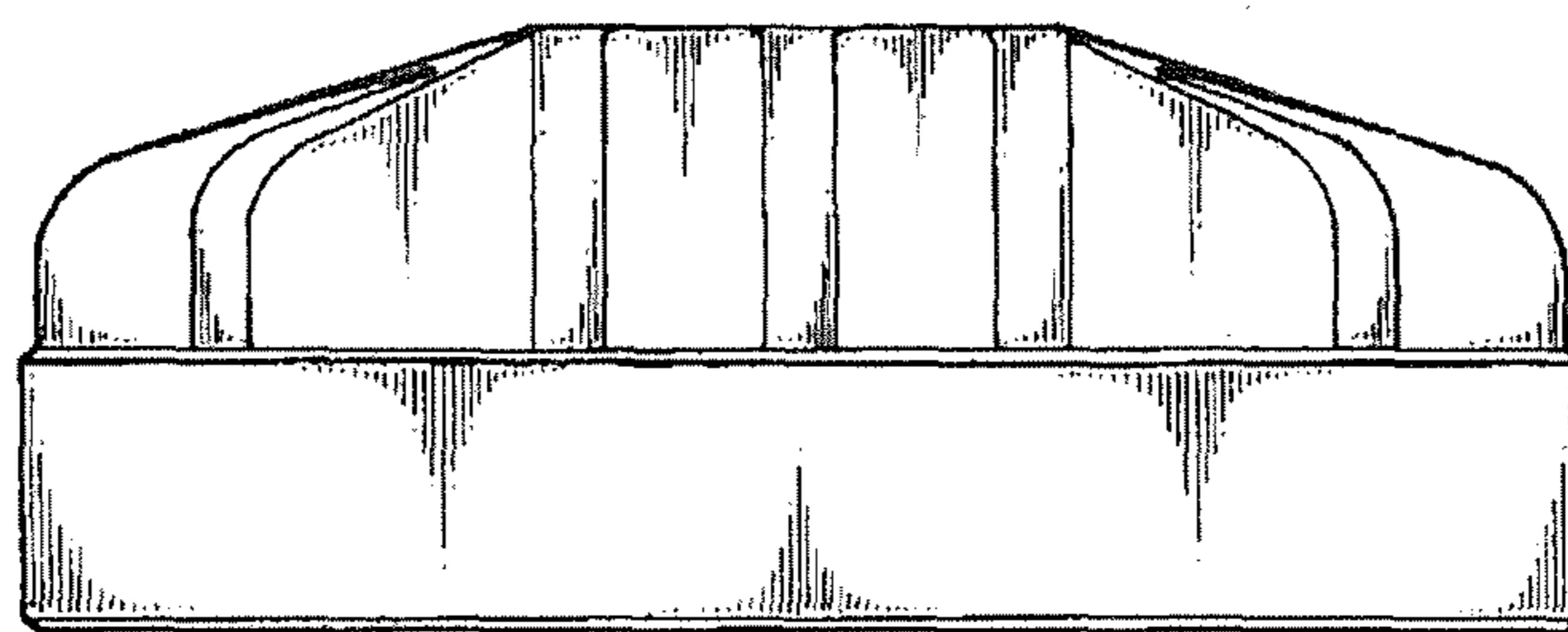


FIG. 4

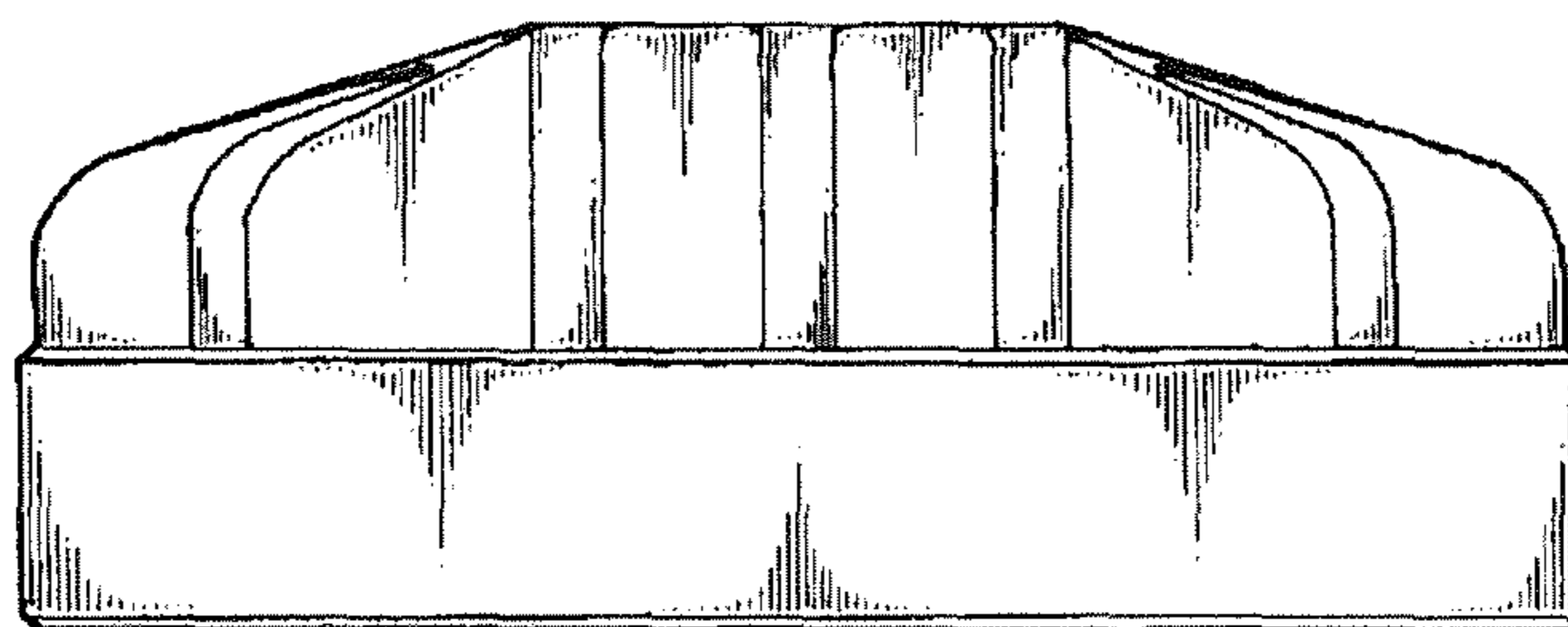


FIG. 5

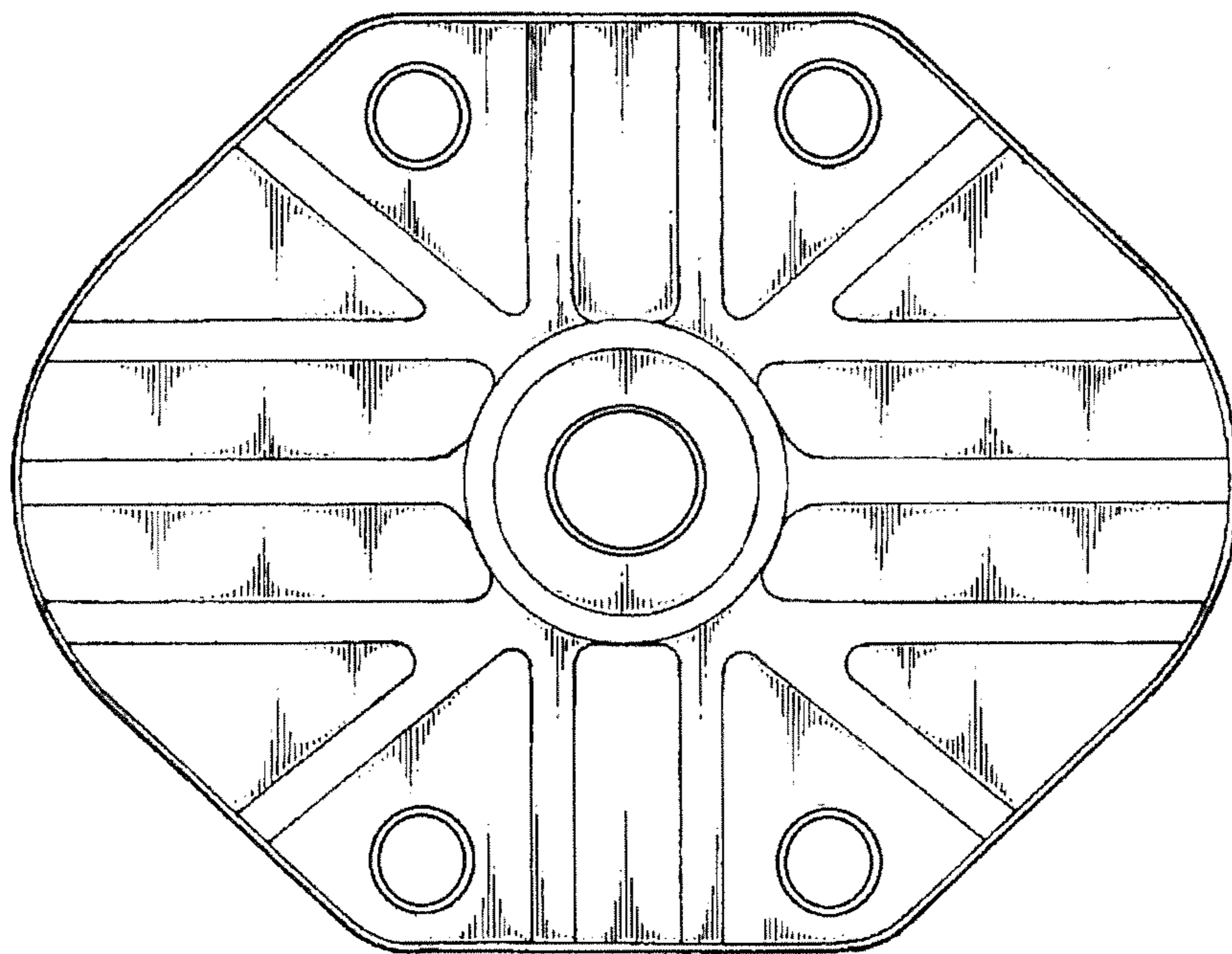


FIG. 6

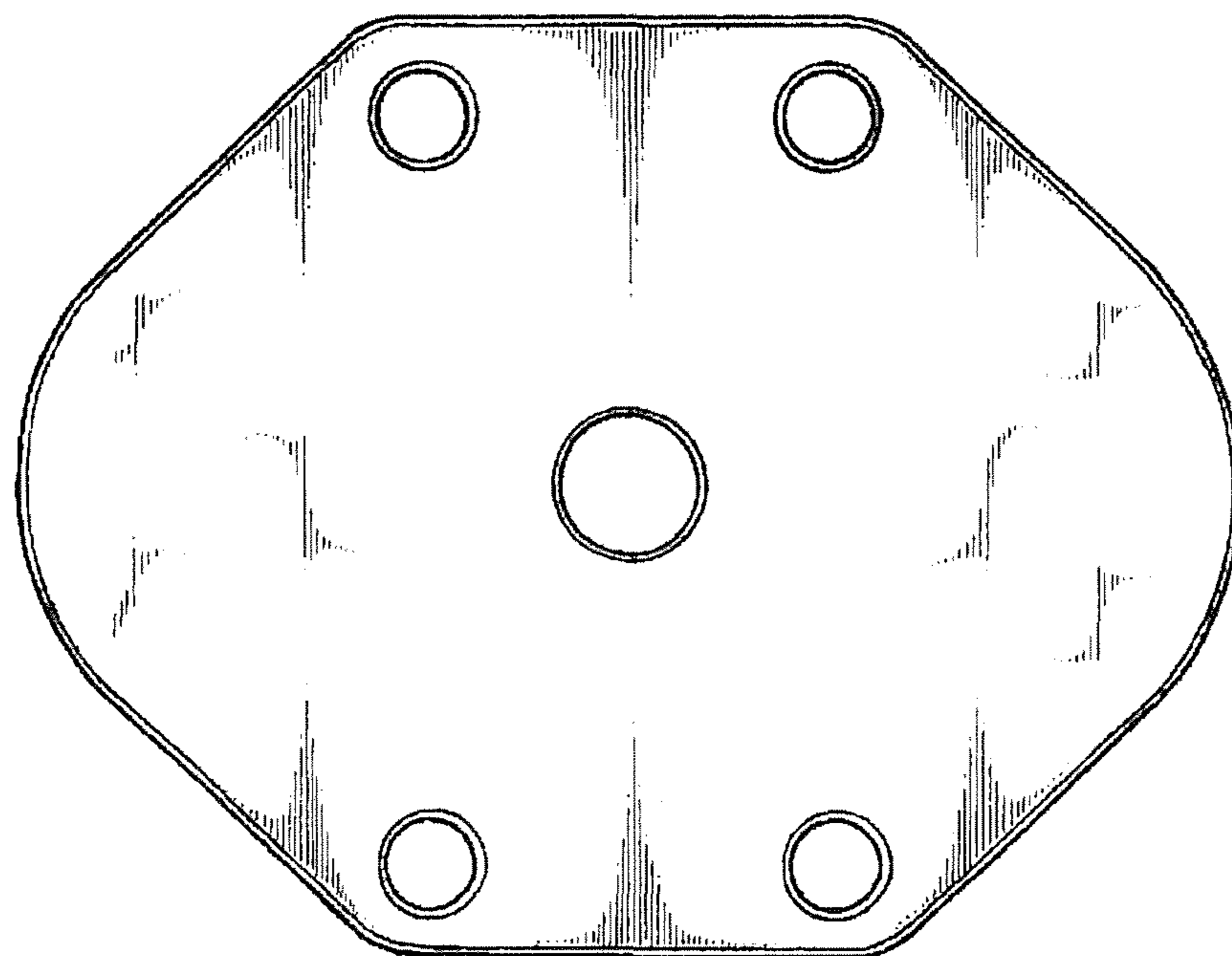


FIG. 7