



US00D707717S

(12) **United States Design Patent**
King

(10) **Patent No.:** **US D707,717 S**

(45) **Date of Patent:** **** Jun. 24, 2014**

(54) **INLET PLATE OF A PUMP**

(71) Applicant: **Bradford Christopher King**, Langley,
WA (US)

(72) Inventor: **Bradford Christopher King**, Langley,
WA (US)

(**) Term: **14 Years**

(21) Appl. No.: **29/471,350**

(22) Filed: **Oct. 30, 2013**

(51) **LOC (10) Cl.** **15-02**

(52) **U.S. Cl.**
USPC **D15/7**

(58) **Field of Classification Search**
CPC F04B 25/00; F04B 27/00; F04B 33/00;
F04B 35/00; F04B 37/00; F04B 39/00;
F04B 39/12; F04B 41/00
USPC D15/7-9; D23/231, 232, 225; 417/60,
417/235, 265, 321, 355, 358, 363, 359,
417/410.1, 415-416, 405, 900; 60/408,
60/412; 184/26-37; 415/140-147;
123/495, 509

See application file for complete search history.

(56) **References Cited**

U.S. PATENT DOCUMENTS

D382,882 S *	8/1997	Parker	D15/7
D490,819 S *	6/2004	Wahlberg	D15/7
D530,724 S *	10/2006	Chu	D15/9
D570,375 S *	6/2008	Hideki et al.	D15/7
D609,249 S *	2/2010	Foreman et al.	D15/7
D631,066 S *	1/2011	Itadani et al.	D15/9
D654,508 S *	2/2012	Foreman	D15/7
D658,681 S *	5/2012	Takemori et al.	D15/7
D695,788 S *	12/2013	Wilkinson	D15/7

* cited by examiner

Primary Examiner — Ralf Seifert

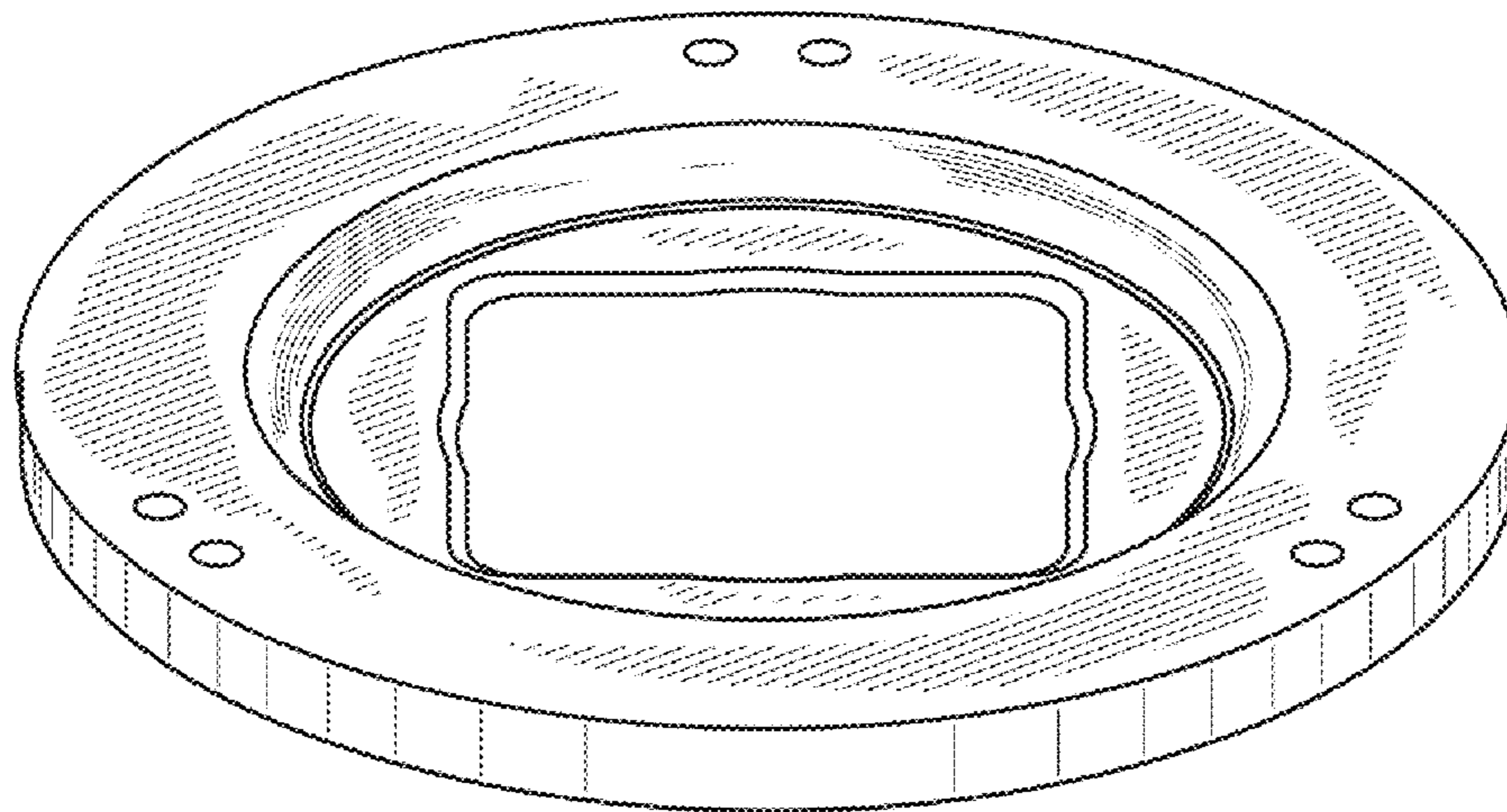
(57) **CLAIM**

The ornamental design for an inlet plate of a pump, as shown and described.

DESCRIPTION

FIG. 1 is a perspective top view of an inlet plate of a pump; FIG. 2 is a perspective top view of the inlet plate of a pump; FIG. 3 is a front elevation view of the inlet plate of a pump; FIG. 4 is a rear elevation view of the inlet plate of a pump; FIG. 5 is a left elevation view of the of the inlet plate of a pump; FIG. 6 is a right elevation view of the inlet plate of a pump; FIG. 7 is a top elevation view of the inlet plate of a pump; and, FIG. 8 is a bottom elevation view of the inlet plate of a pump.

1 Claim, 3 Drawing Sheets



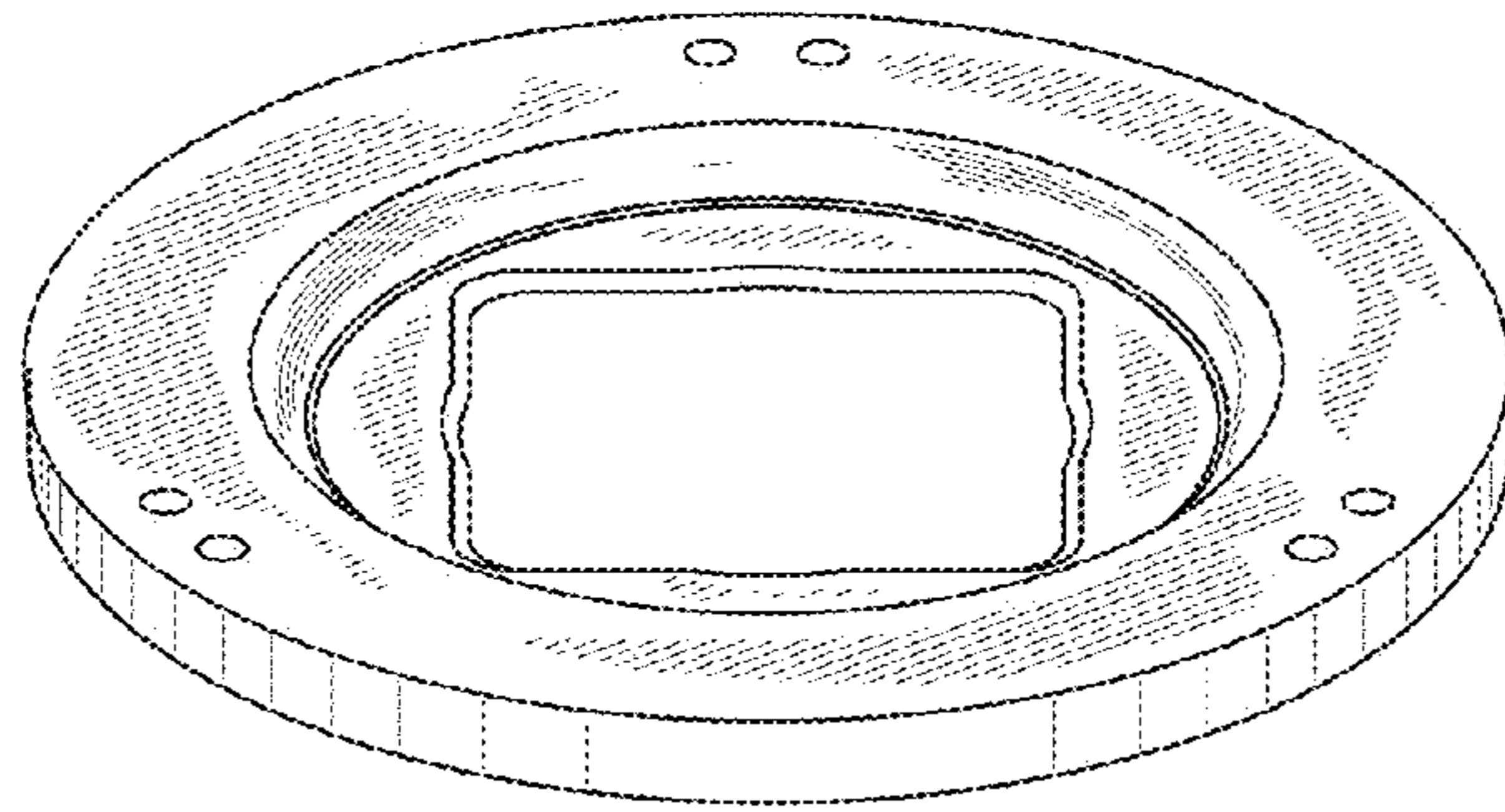


FIG. 1

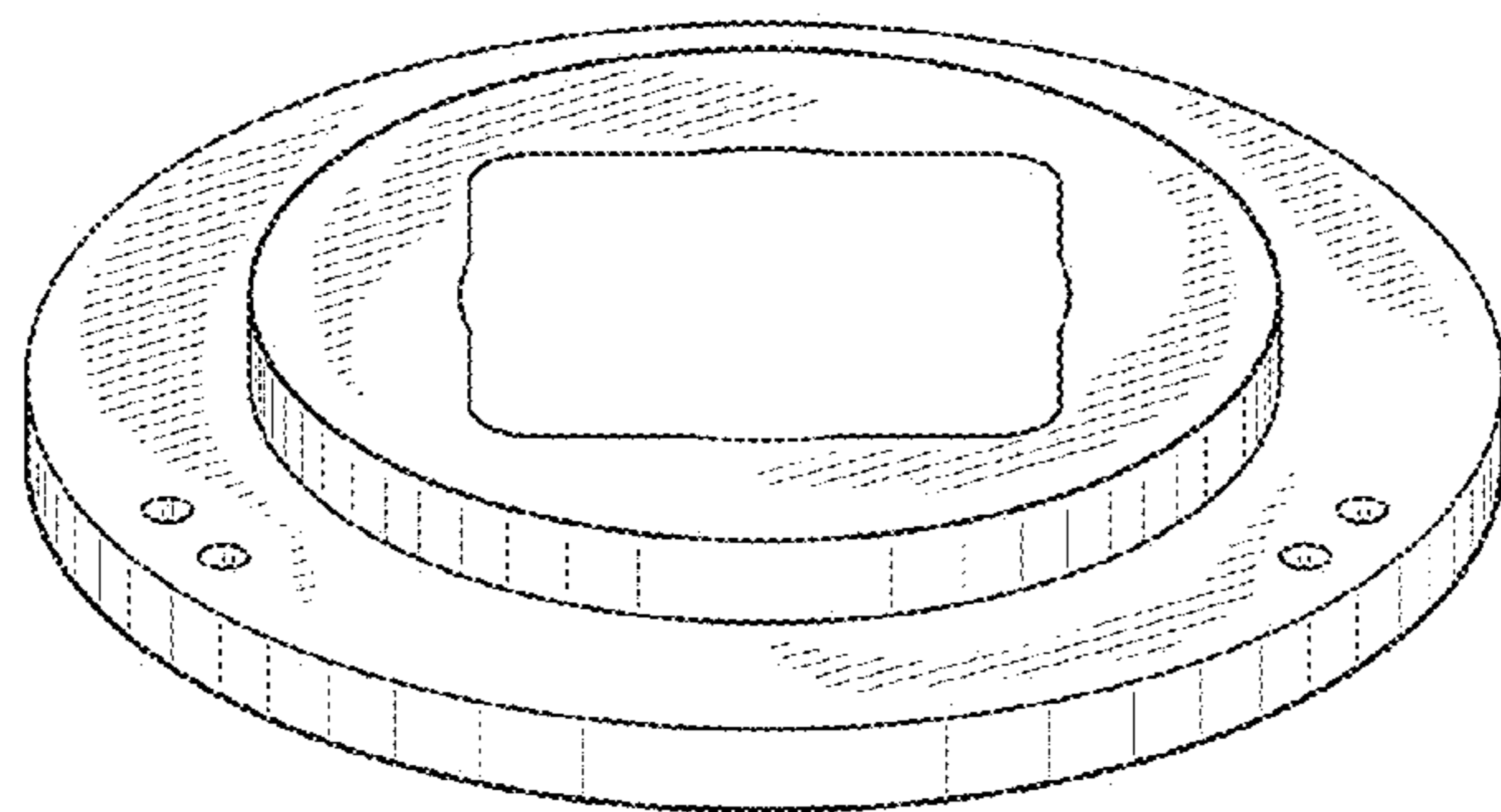


FIG. 2

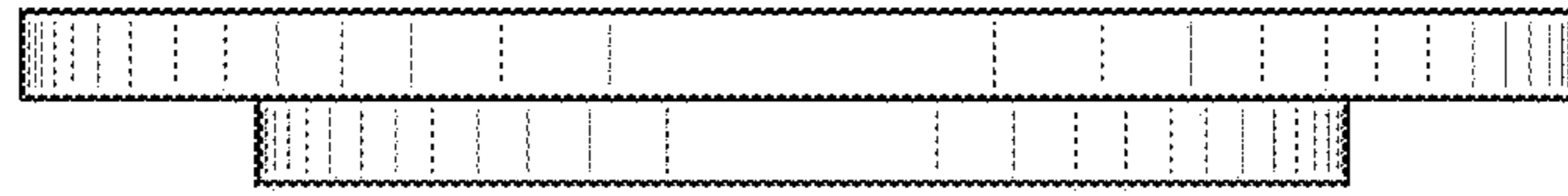


FIG. 3



FIG. 4



FIG. 5

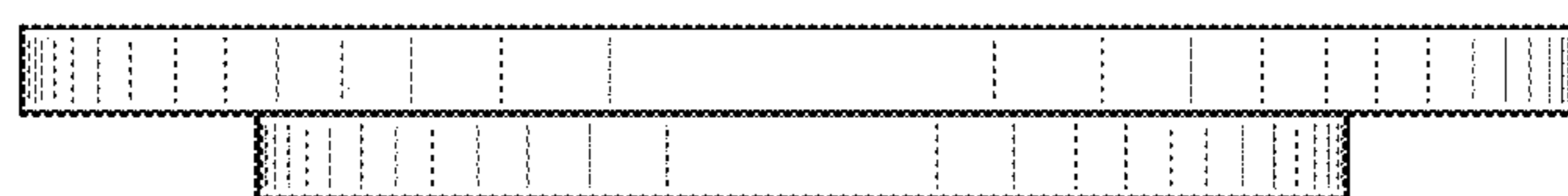


FIG. 6

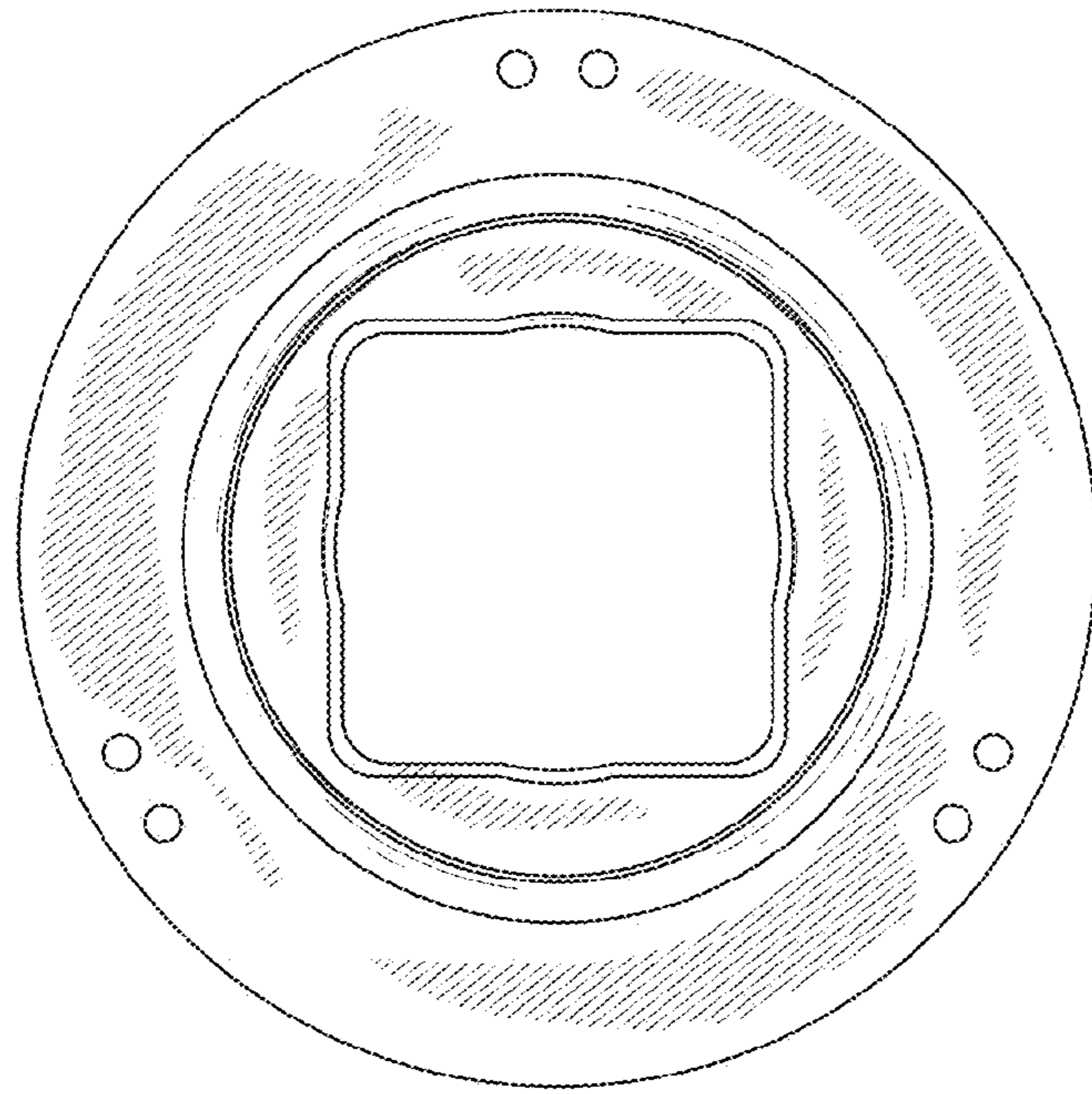


FIG. 7

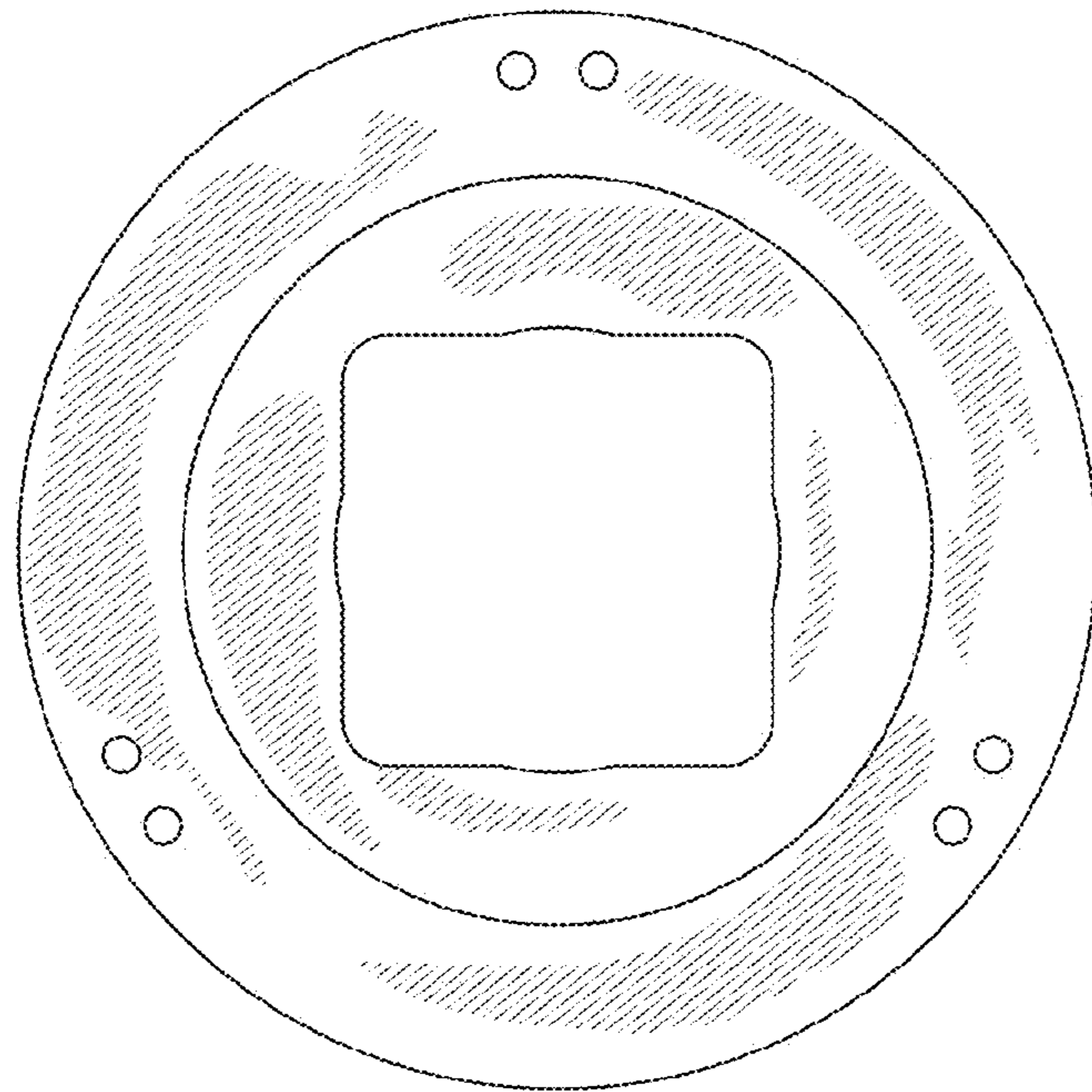


FIG. 8