



US00D707715S

(12) **United States Design Patent**
Yagi

(10) **Patent No.:** **US D707,715 S**
(45) **Date of Patent:** **** Jun. 24, 2014**

(54) **OPTICAL DISK PLAYER**

(71) Applicant: **Funai Electric Co., Ltd.**, Osaka (JP)

(72) Inventor: **Hidekazu Yagi**, Osaka (JP)

(73) Assignee: **Funai Electric Co., Ltd.**, Osaka (JP)

(**) Term: **14 Years**

(21) Appl. No.: **29/457,840**

(22) Filed: **Jun. 13, 2013**

(30) **Foreign Application Priority Data**

May 16, 2013 (JP) 2013-010817

(51) **LOC (10) Cl.** **14-03**

(52) **U.S. Cl.**
USPC **D14/498; D14/511**

(58) **Field of Classification Search**
USPC D2/876, 886, 893; D8/19, 20, 47;
D9/430, 431, 435, 574, 632; D13/103,
D13/108; D14/138 R, 138 AA, 138 C, 138 G,
D14/139, 140.1, 155, 157, 170, 171, 183,
D14/188, 195, 216, 250, 258, 315-327, 348,
D14/353, 363-368, 444, 478-480, 498-507,
D14/510; D16/219, 221; D21/769, 817,
D21/819; D25/38.1, 41.1; D28/55;
360/99.02, 99.07; 369/75.11, 75.21,
369/77.11, 77.21; 455/90, 100, 128;
720/601, 612, 619, 649, 655
See application file for complete search history.

(56) **References Cited**

U.S. PATENT DOCUMENTS

D272,514 S * 2/1984 Dolas D8/102
D294,861 S * 3/1988 Detsch D24/147

D450,994 S * 11/2001 Abbott D8/105
D516,394 S * 3/2006 Chen D8/16
D581,764 S * 12/2008 Kinskey et al. D8/105
D611,045 S * 3/2010 Andre et al. D14/327
D611,469 S * 3/2010 Andre et al. D14/315
D625,717 S * 10/2010 Andre et al. D14/318
D642,172 S * 7/2011 Akana et al. D14/318
D658,955 S * 5/2012 Nikkel D8/20
D667,461 S * 9/2012 Andre et al. D14/496
D686,683 S * 7/2013 Sanchez D21/769

* cited by examiner

Primary Examiner — Prabhakar Deshmukh

Assistant Examiner — Janice Lim

(74) *Attorney, Agent, or Firm* — Morgan, Lewis & Bockius LLP

(57) **CLAIM**

The ornamental design for an optical disc player, as shown and described.

DESCRIPTION

FIG. 1 is a perspective view of an optical disc player showing my new design;

FIG. 2 is a front view thereof;

FIG. 3 is a rear view thereof;

FIG. 4 is a right side view thereof;

FIG. 5 is a left side view thereof;

FIG. 6 is a top plan view thereof;

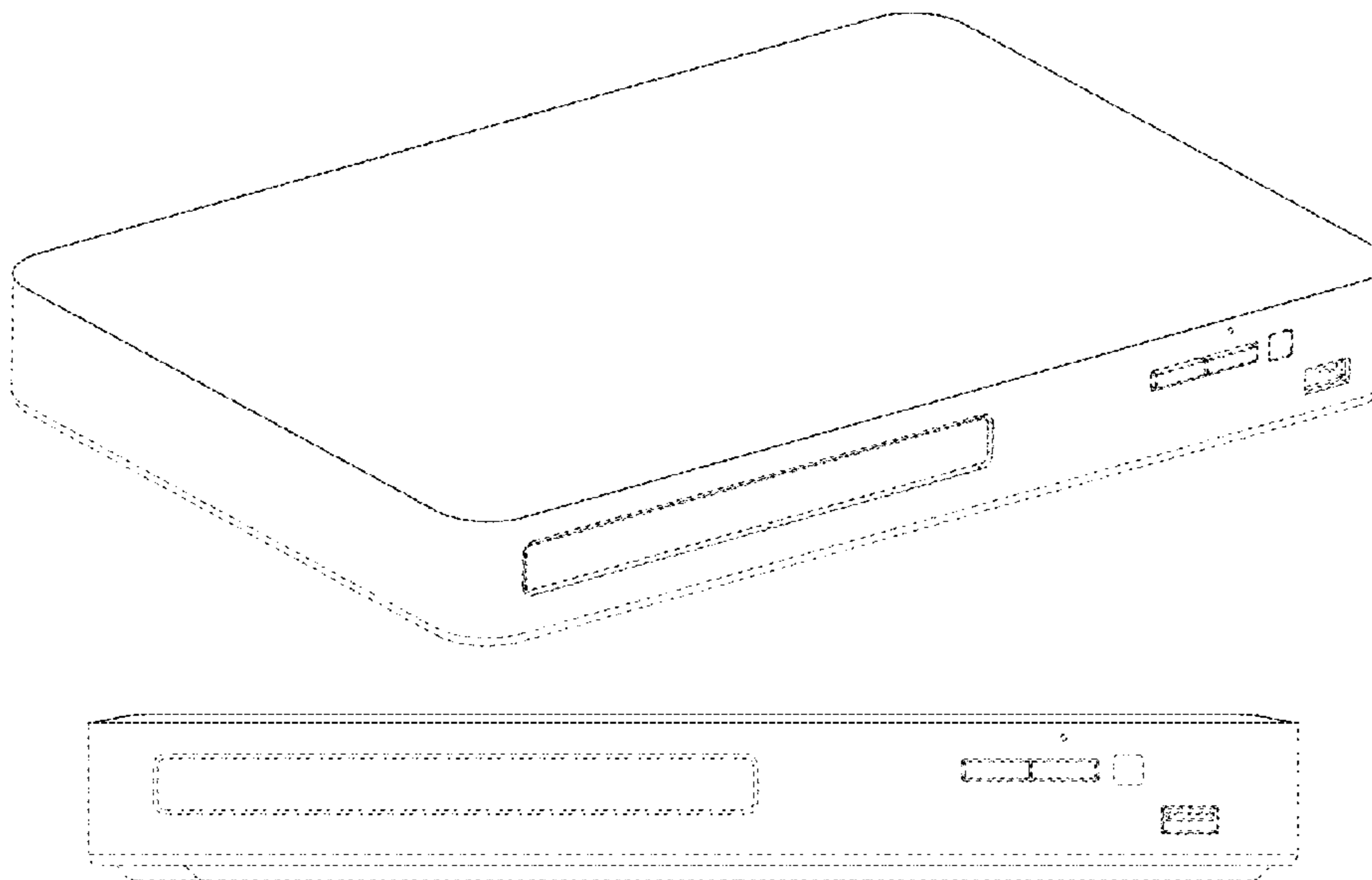
FIG. 7 is a bottom plan view thereof;

FIG. 8 is a cross section view thereof, taken along the line 8-8 in FIG. 6; and,

FIG. 9 is a cross section view thereof, taken along the line 9-9 in FIG. 6.

The broken lines show unclaimed subject matter only and form no part of the claimed design.

1 Claim, 9 Drawing Sheets



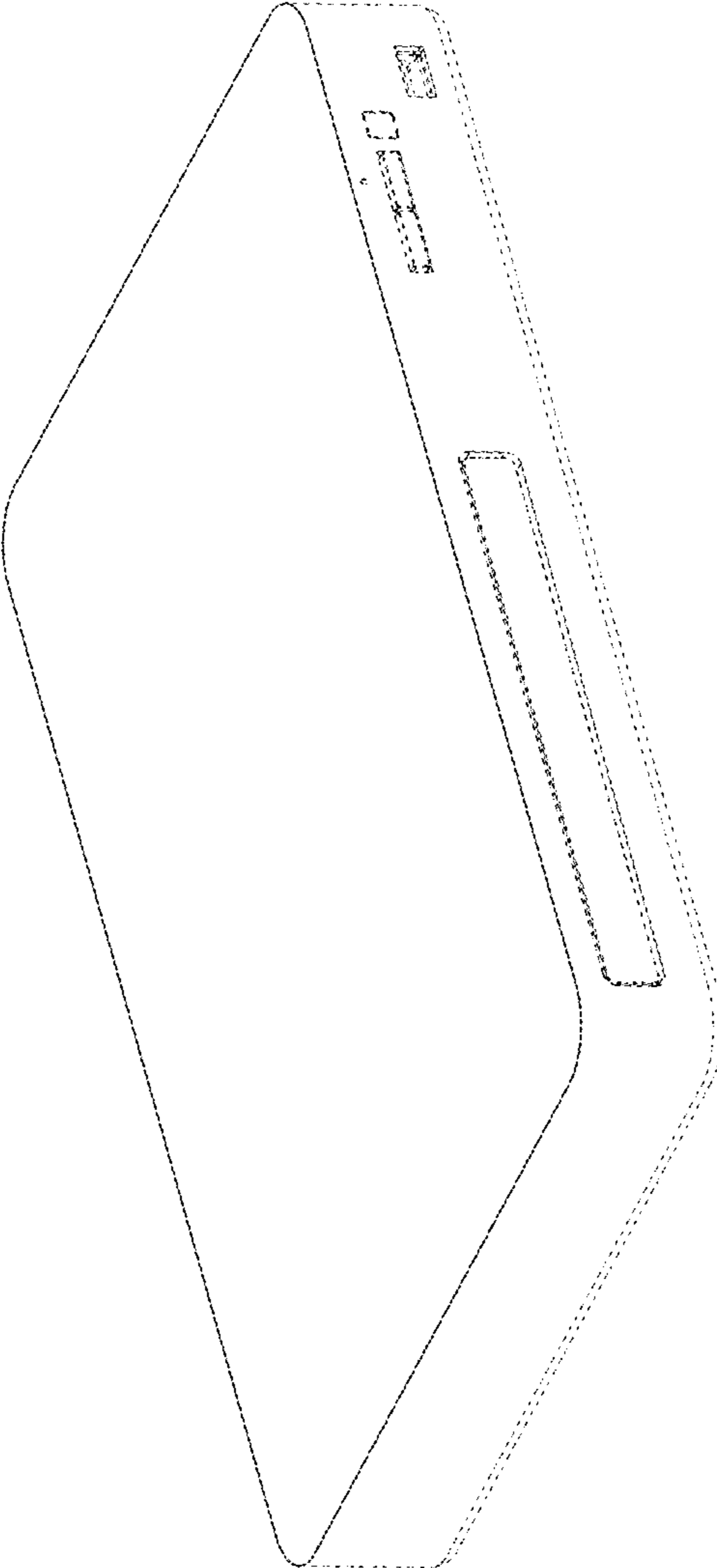


FIG.1

FIG.2

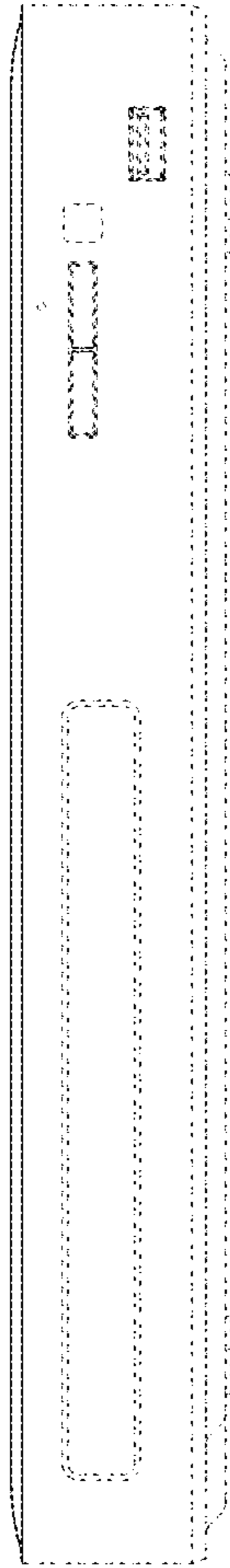
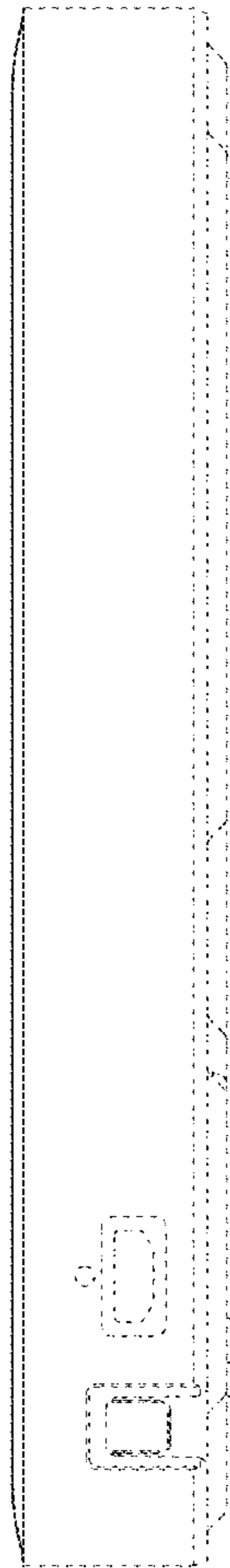


FIG. 3



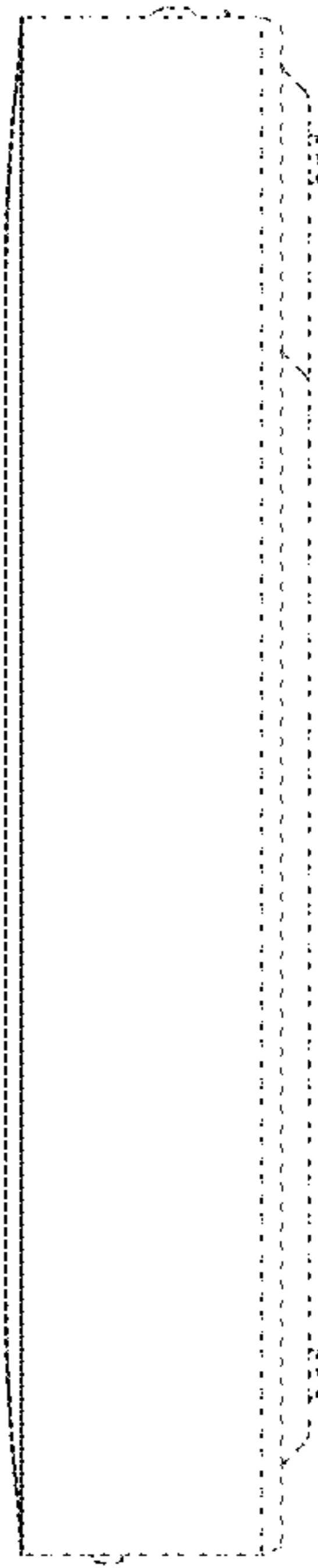


FIG.4

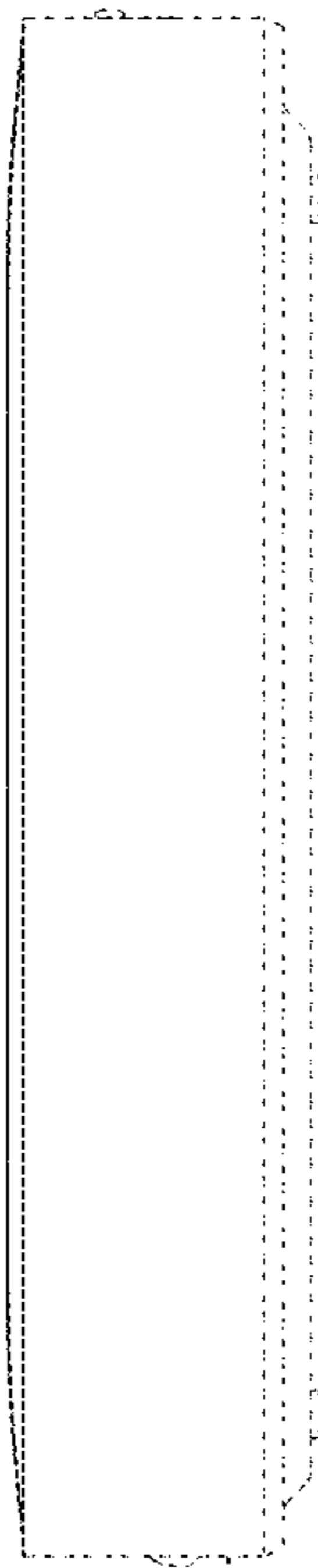
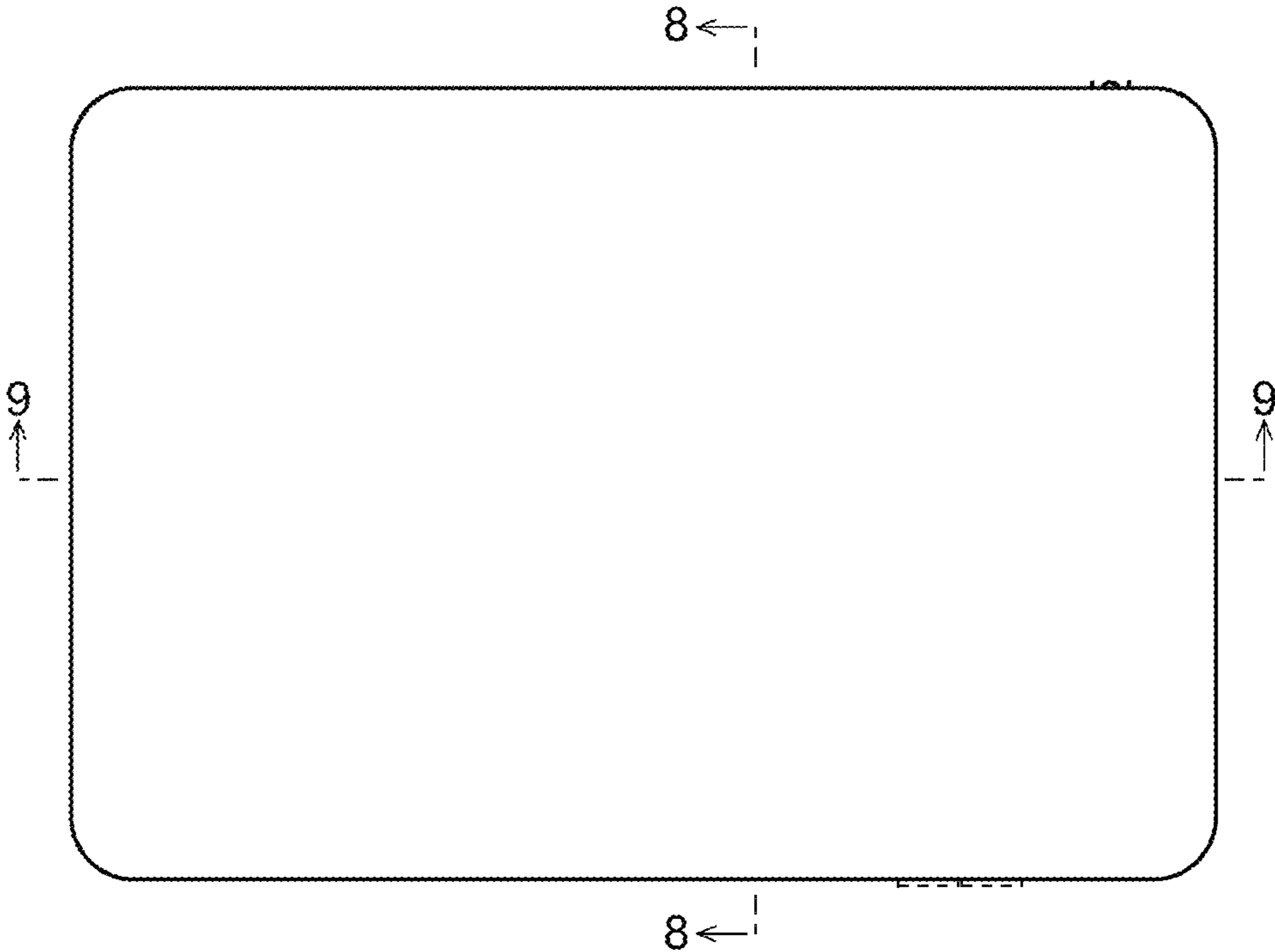


FIG.5

FIG.6



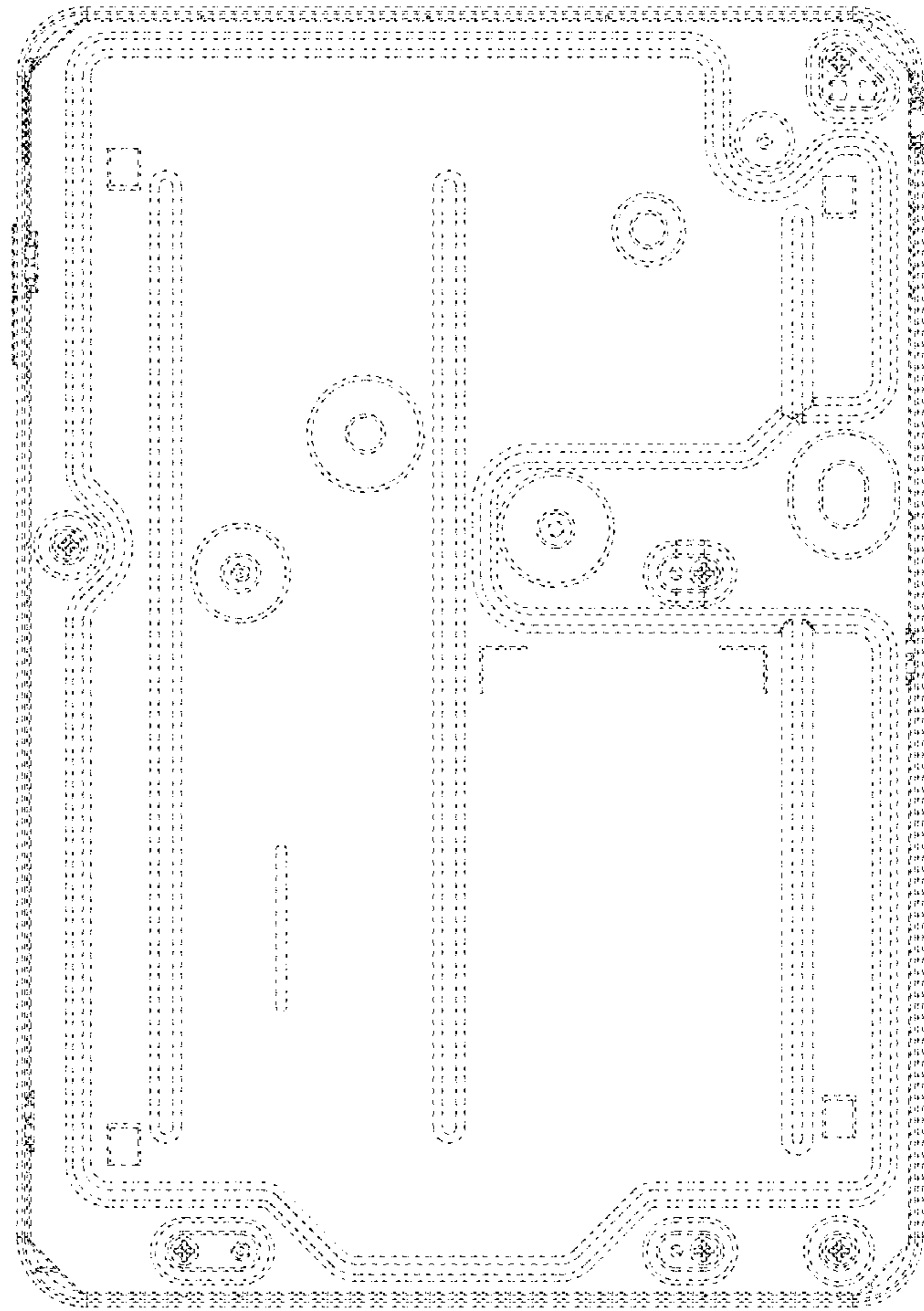


FIG. 7

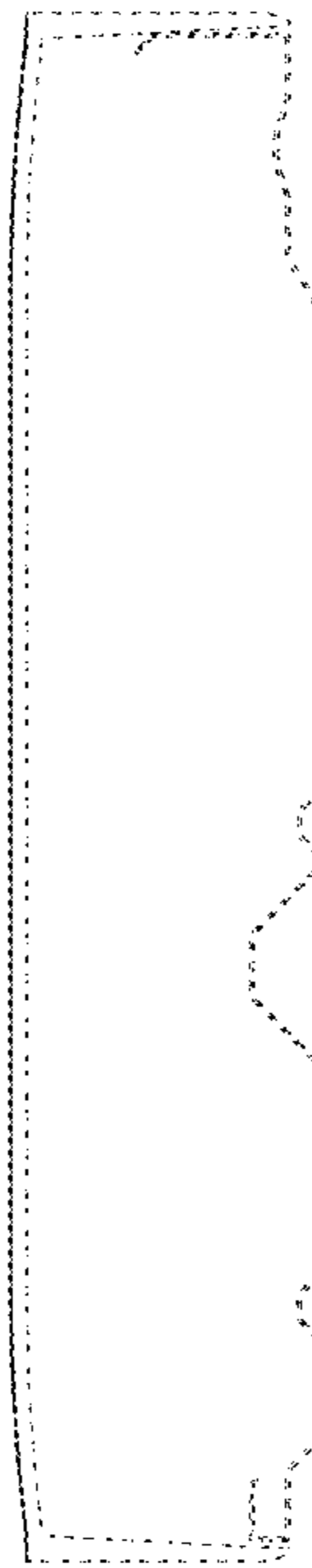


FIG. 8

FIG. 9

