



US00D707690S

(12) **United States Design Patent**
Billington

(10) **Patent No.:** **US D707,690 S**
(45) **Date of Patent:** **** Jun. 24, 2014**

(54) **USB MEMORY DEVICE**
(71) Applicant: **Charles Billington**, London (GB)
(72) Inventor: **Charles Billington**, London (GB)
(73) Assignee: **Groundhog S.A.**, Luxembourg (LU)
(**) Term: **14 Years**

(21) Appl. No.: **29/456,736**
(22) Filed: **Jun. 3, 2013**

(30) **Foreign Application Priority Data**
Jan. 10, 2013 (EM) 002164392-0002
(51) **LOC (10) Cl.** **14-02**
(52) **U.S. Cl.**
USPC **D14/480.7**
(58) **Field of Classification Search**
CPC H05K 5/0278; G06K 19/07732
USPC D14/411, 433, 435.1, 436, 480.1-480.7,
D14/484.1, 137, 155, 203.1-203.8, 240,
D14/242; D13/133, 154
See application file for complete search history.

(56) **References Cited**
U.S. PATENT DOCUMENTS
D449,615 S * 10/2001 Lloyd D14/435.1
6,567,273 B1 * 5/2003 Liu et al. 361/737
D490,814 S * 6/2004 Kim D14/480.5
D525,977 S * 8/2006 Yao D14/436
D555,149 S * 11/2007 Griffin D14/484.1
D574,835 S * 8/2008 Ho D14/436
7,558,069 B2 * 7/2009 Chung 361/737
7,623,354 B2 * 11/2009 Koh 361/764
D606,078 S * 12/2009 Chen D14/480.6
D607,886 S * 1/2010 Bolotin et al. D14/480.1
D610,156 S * 2/2010 Mudrick D14/480.5

D610,588 S * 2/2010 Chen D14/480.7
7,896,664 B1 * 3/2011 Chou et al. 439/131
D643,846 S * 8/2011 Boucard D14/480.7
D647,099 S * 10/2011 Boucard D14/480.7
D656,144 S * 3/2012 Schlosstein D14/480.1
D682,841 S * 5/2013 Suetake et al. D14/480.1
D685,809 S * 7/2013 Billington D14/480.7

(Continued)

OTHER PUBLICATIONS

A-Data Technology: C003 Ultra-Slim USB Flash Drive, [online], [retrieved on May 25, 2010]. Retrieved from the Internet <URL: http://www.adata.com.tw/en/product_show.php?ProductNo=AC03ZZZBU>.*

(Continued)

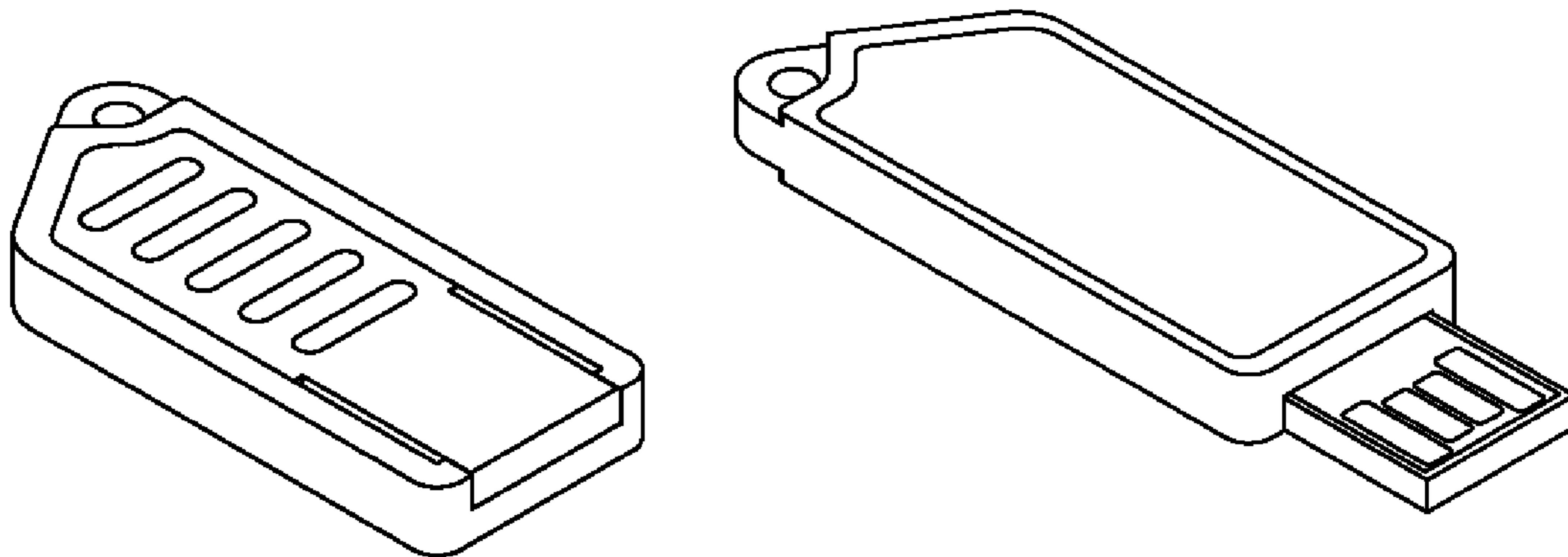
Primary Examiner — Karen E Kearney
(74) *Attorney, Agent, or Firm* — Douglas L. Weller

(57) **CLAIM**
The ornamental design for a USB memory device, as shown and described

DESCRIPTION

FIG. 1 is a top plan view of the USB memory device. FIG. 2 is a left elevational view of the USB memory device. FIG. 3 is a front elevational view of the USB memory device. FIG. 4 is a right elevational view of the USB memory device. FIG. 5 is a bottom right rear perspective view of the USB memory device. FIG. 6 is a top left front perspective view of the USB memory device. FIG. 7 is a top left front perspective view of the USB memory device where the USB connector extends out the front; and, FIG. 8 is a bottom right front perspective view of the USB memory device where the USB connector extends out the front.

1 Claim, 1 Drawing Sheet



(56)

References Cited

U.S. PATENT DOCUMENTS

8,665,598 B2 * 3/2014 Seeley 361/729
2008/0173598 A1 * 7/2008 Fiorentino 211/41.12
2012/0087079 A1 * 4/2012 Ting 361/679.32

OTHER PUBLICATIONS

Official Nintendo USB Memory Ain't Cheap, [online] Jul. 26, 2012 [retrieved on Mar. 22, 2013]. Retrieved from the Internet <URL: <http://kotaku.com/5929193/official-nintendo-usb-memory-aint-cheap>>.*

SanDisk Cruzer Edge and Ultra USB Flash Drives Launched, [online], [retrieved on Jul. 9, 2013]. Retrieved from the Internet <URL: <http://news.techclap.com/5867/sandisk-cruzer-edge-ultra-usb-flash-drives/>>.*

TechPowerUp :: A-Data S805 Flash Drive Review, [online] Jul. 14, 2009 [retrieved on Aug. 7, 2009]. Retrieved from the Internet <URL: http://www.techpowerup.com/reviews/AData/S805_Flash_Drive/>.*

mobixhk.com, Web Archive [online] Dec. 7, 2006 [retrieved on Jul. 11, 2007]. Retrieved from the Internet <URL: http://web.archive.org/web/20061207095956/http://www.mobixhk.com/images/CR_M2A.jpg>.*

* cited by examiner

FIG.1

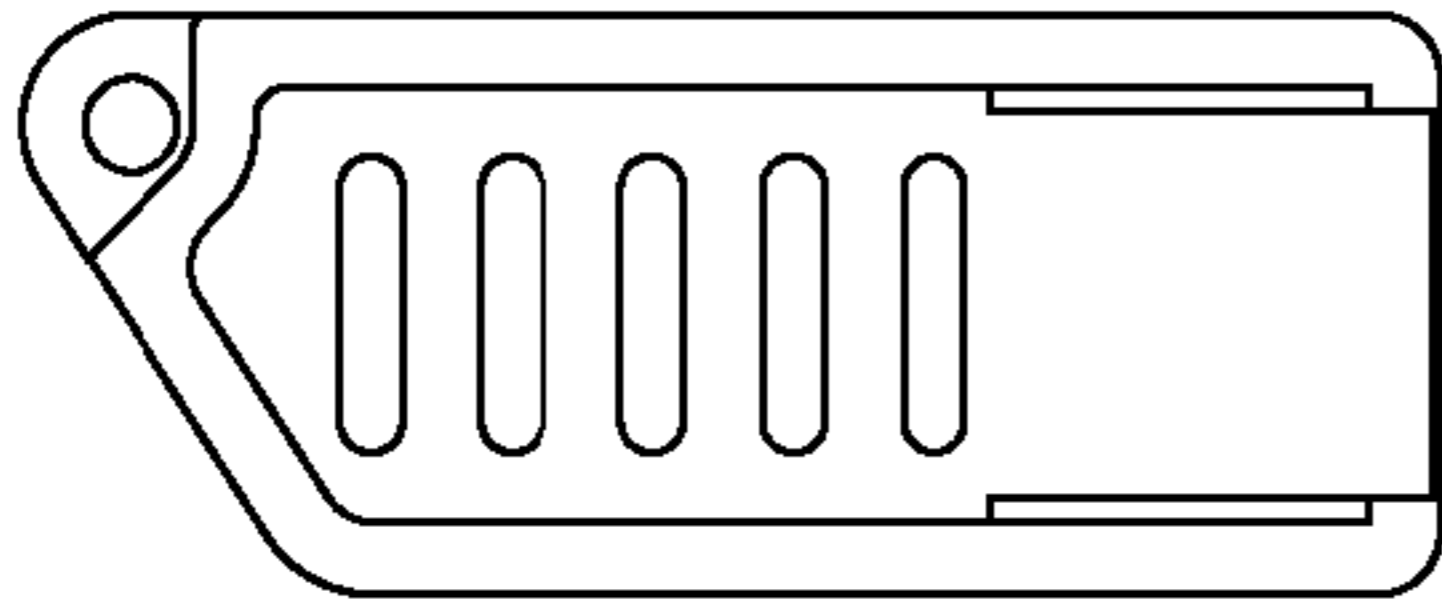


FIG.2



FIG.3

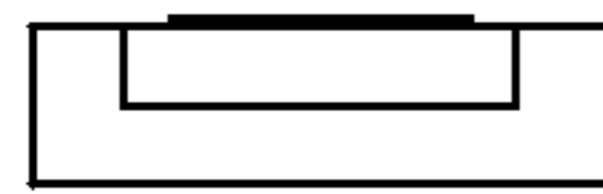


FIG.4



FIG.5

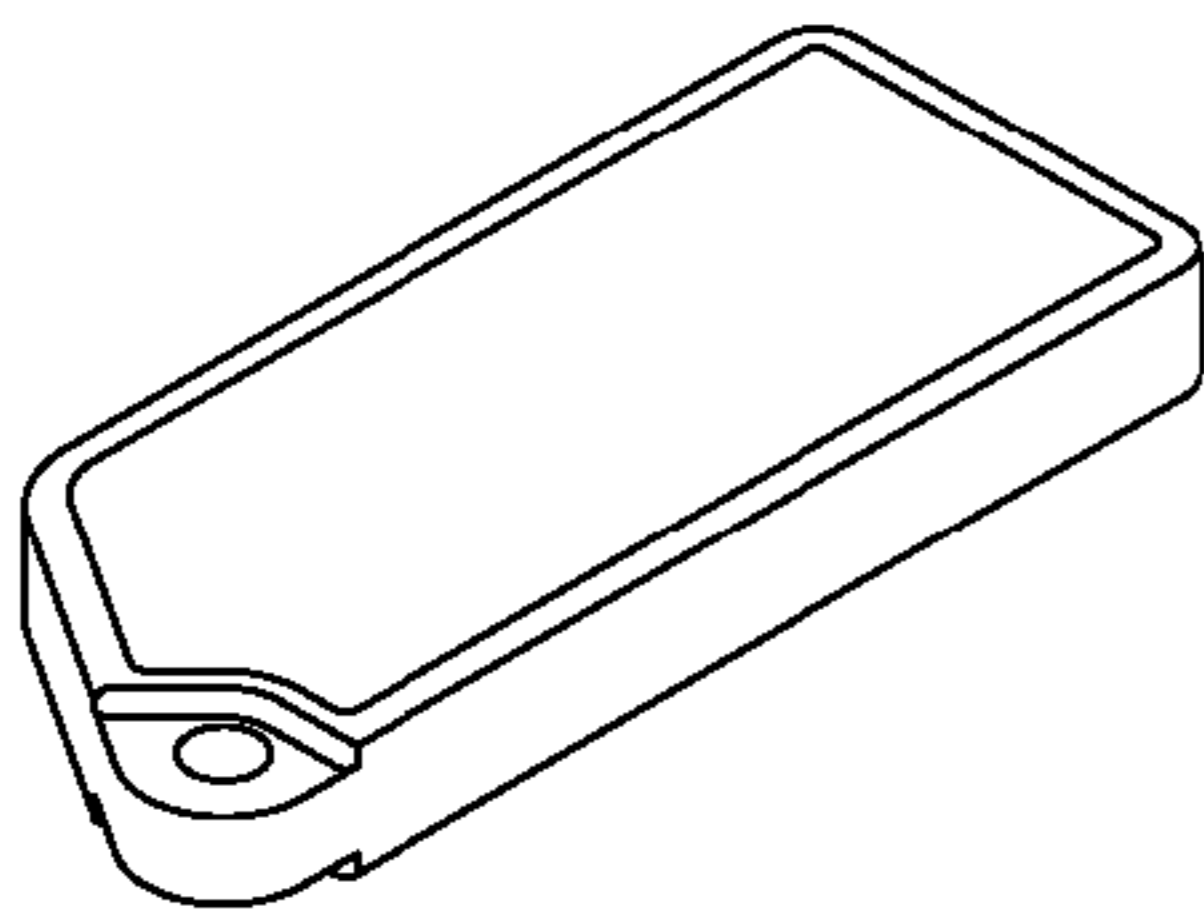


FIG.6

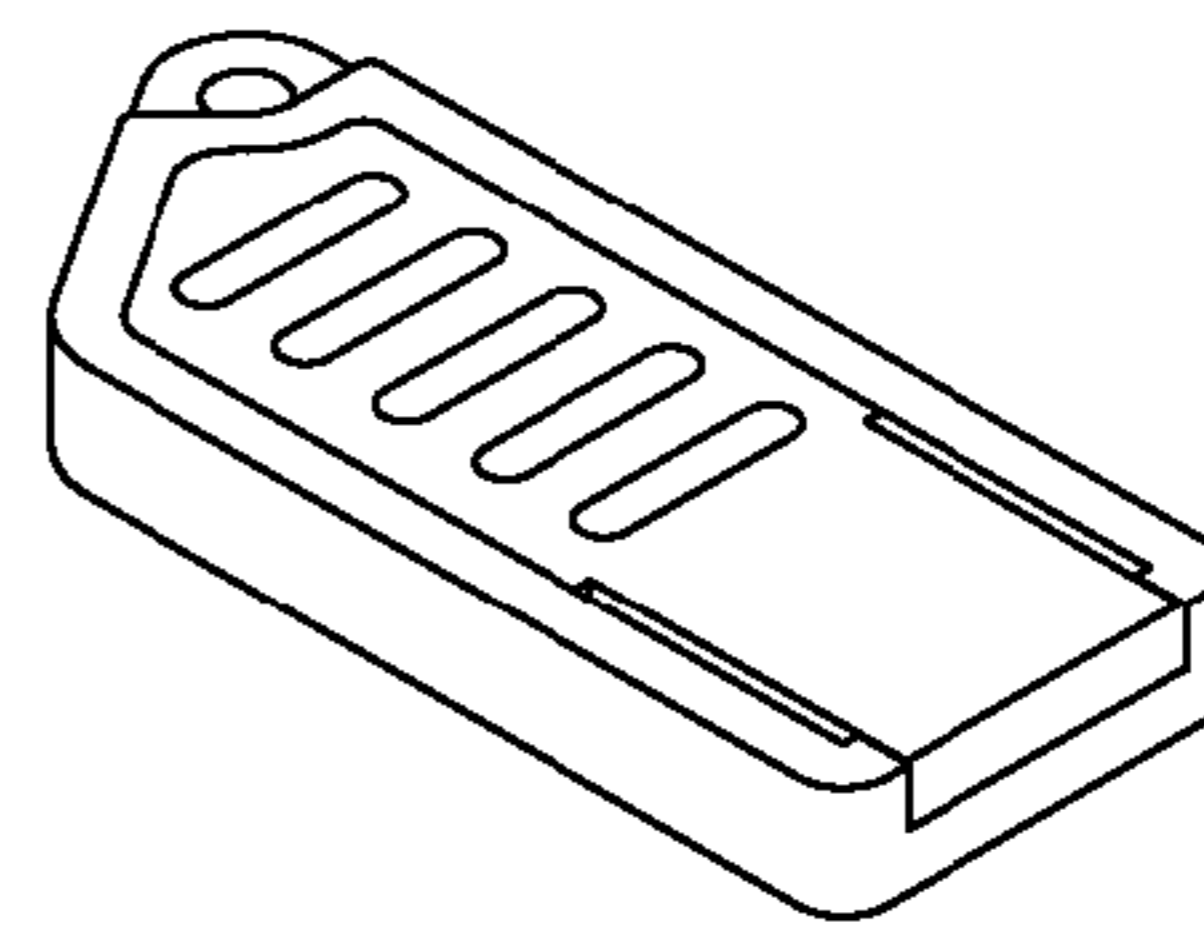


FIG.7

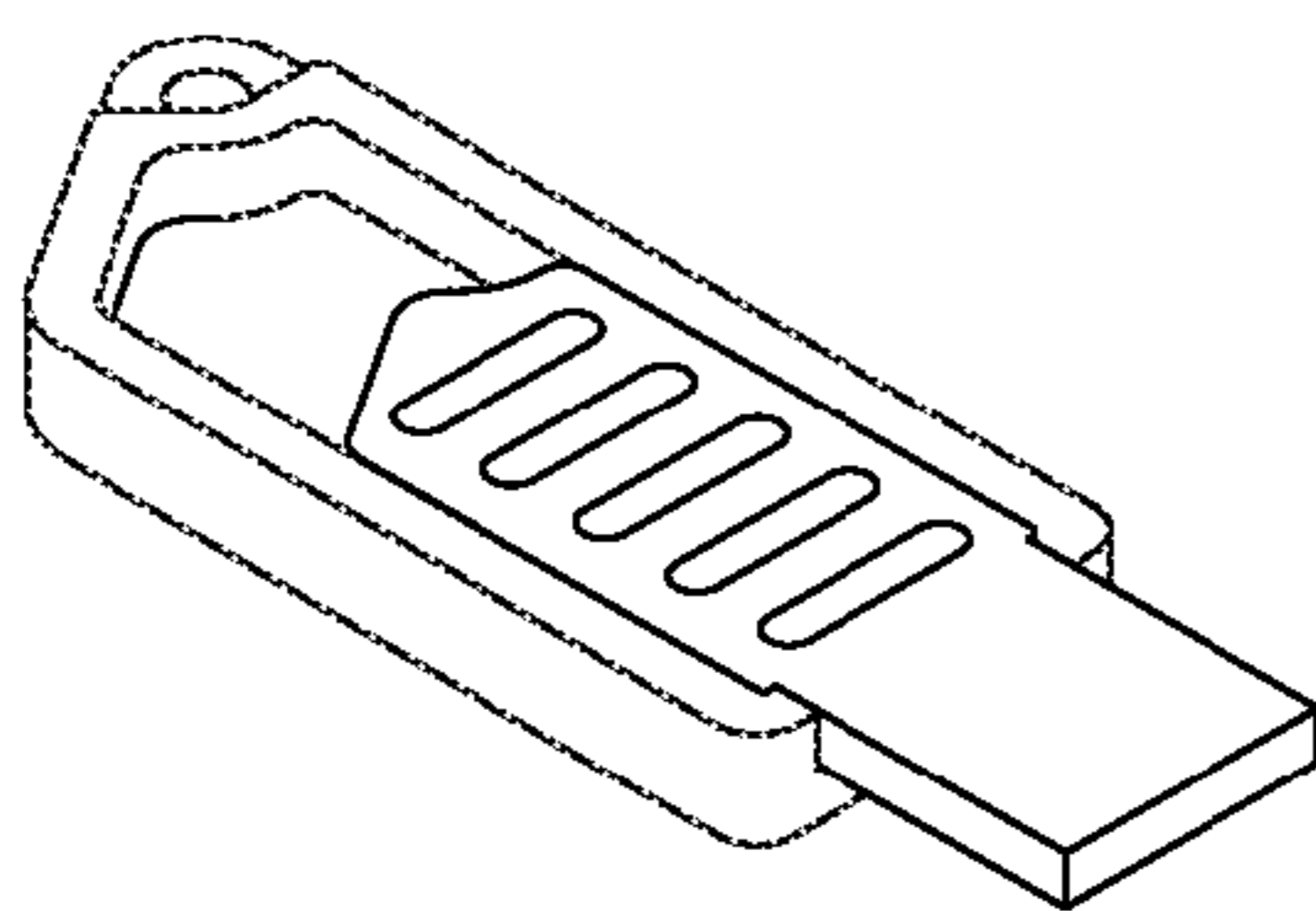


FIG.8

