



US00D707689S

(12) **United States Design Patent**
Billington

(10) **Patent No.:** **US D707,689 S**
(45) **Date of Patent:** **** Jun. 24, 2014**

(54) **USB MEMORY DEVICE**
(71) Applicant: **Charles Billington**, London (GB)
(72) Inventor: **Charles Billington**, London (GB)
(73) Assignee: **Groundhog S.A.**, Luxembourg (LU)
(**) Term: **14 Years**

D581,826 S * 12/2008 Molyneux D11/2
D583,815 S * 12/2008 Giovannoni D14/480.3
7,568,942 B1 * 8/2009 Lannon et al. 439/521
D602,494 S * 10/2009 Lannon et al. D14/480.5
D612,269 S * 3/2010 Leung D10/32
D640,156 S * 6/2011 Chan D11/3
D643,428 S * 8/2011 Janky et al. D14/358
D644,002 S * 8/2011 Saito et al. D2/600

(Continued)

(21) Appl. No.: **29/456,735**
(22) Filed: **Jun. 3, 2013**

OTHER PUBLICATIONS

Care Memory Band Medical Alert Bracelet—ElderStore, [online], [retrieved on Mar. 21, 2013]. Retrieved from the Internet <URL: <http://www.elderstore.net/care-medical-alert-bracelet.aspx>>.*

(Continued)

(30) **Foreign Application Priority Data**
Jan. 10, 2013 (EM) 002164392-0001
(51) **LOC (10) Cl.** **14-02**
(52) **U.S. Cl.**
USPC **D14/480.5**; D14/480.3; D11/2
(58) **Field of Classification Search**
CPC H05K 5/0278; G06K 19/07732
USPC D14/411, 433, 435.1, 436, 480.1–480.7,
D14/484.1, 137, 155, 203.1–203.8, 240,
D14/242; D13/133, 154
See application file for complete search history.

Primary Examiner — Karen E Kearney
(74) *Attorney, Agent, or Firm* — Douglas L. Weller

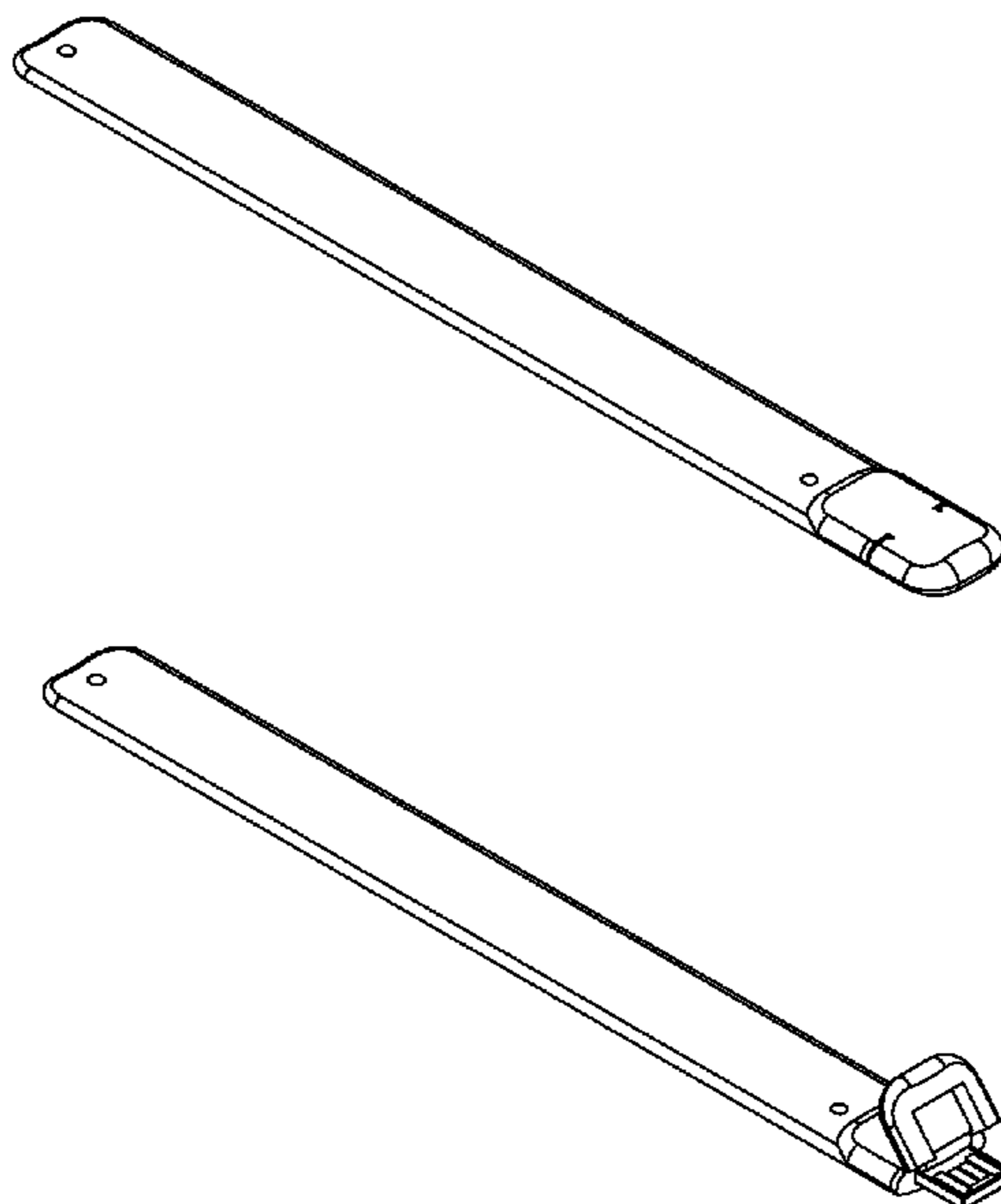
(57) **CLAIM**
The ornamental design for a USB memory device, as shown and described.

DESCRIPTION

FIG. 1 is a top plan view of the USB memory device. FIG. 2 is a left elevational view of the USB memory device, the right being a mirror image of the left. FIG. 3 is a bottom plan view of the USB memory device. FIG. 4 is a front elevational view of the USB memory device. FIG. 5 is a top front left perspective view of the USB memory device. FIG. 6 is a left elevational view of the USB memory device with the USB connector cover open to 135 degrees to expose the USB connector; and, FIG. 7 is a top front left perspective view of the USB memory device with the USB connector cover open to 135 degrees to expose the USB connector.

(56) **References Cited**
U.S. PATENT DOCUMENTS
D10,612 S * 4/1878 Byron D11/5
D190,753 S * 6/1961 Brauchi D11/5
5,857,217 A * 1/1999 Hsueh 2/170
5,971,612 A * 10/1999 McAuslan 383/43
D435,460 S * 12/2000 Cebe et al. D10/31
6,782,648 B1 * 8/2004 Mosher, Jr. 40/633
D556,194 S * 11/2007 Rambosek et al. D14/480.3
D558,198 S * 12/2007 Blankenship et al. D14/480.5
7,345,954 B2 * 3/2008 Ehram et al. 368/10
7,347,019 B1 * 3/2008 Shaw 40/607.01
D571,684 S * 6/2008 Kim D11/2
7,455,525 B2 * 11/2008 Rambosek et al. 439/37

1 Claim, 2 Drawing Sheets



(56)

References Cited

U.S. PATENT DOCUMENTS

D686,217	S	*	7/2013	Andre	D14/480.3
2003/0155389	A1	*	8/2003	Swartzentruber	224/164
2005/0079738	A1	*	4/2005	Ahn	439/1
2012/0087216	A1	*	4/2012	Keung et al.	368/282
2012/0324945	A1	*	12/2012	Koeppel	63/1.13
2013/0044215	A1	*	2/2013	Rothkopf et al.	348/143

OTHER PUBLICATIONS

Dialog05 presents universal connections, [online], [retrieved on Aug. 23, 2006]. Retrieved from the Internet <URL: <http://www.dialog05.com/objects/10.html>>.*

Google Image Result for <http://www.my-bandsonline.com/images/landis.jpg>, [online], [retrieved on Oct. 14, 2008]. Retrieved from the

Internet <URL: <http://images.google.com/imgres?imgurl=http://www...1%3Den%26rls%3DGGLD,GGLD:2004-30,GGLD:en%26sa%3DN>>.*

Lexar Flash Drives|Lexar JumpDrive|FireFly|Lightning|Secure—Buy & Blog, p. 11 [online], [retrieved on May 17, 2010]. Retrieved from the Internet <URL: <http://www.usbmemorysticks.net/lexar-flash-drives>>.*

USB Flash Wristbands, [online], [retrieved on Dec. 13, 2006]. Retrieved from the Internet <URL: http://hongjing168.en.alibaba.com/product/50080805/50659447/Electronic_Products_Series/USB_Flash_Wristbands/showimg.html>.*

What is it? | FXI Technologies, [online], [retrieved on Jan. 6, 2014]. Retrieved from the Internet <URL: <http://www.fxitech.com/cotton-candy/what-is-it/>>.*

* cited by examiner

FIG.1

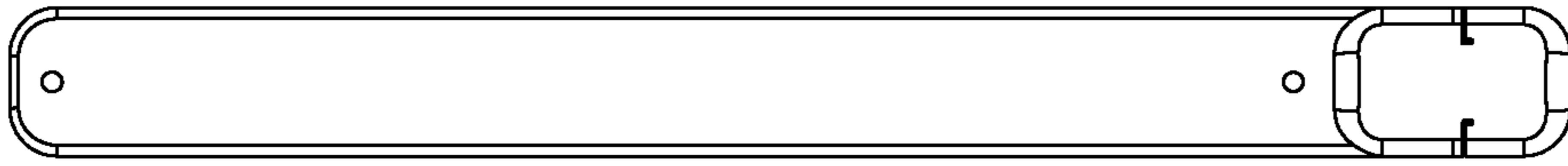


FIG.2

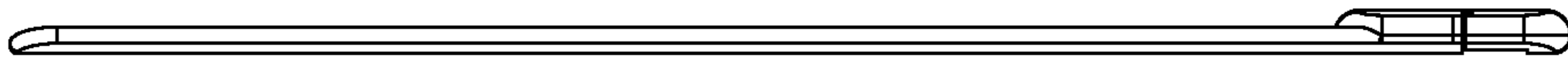


FIG.3



FIG.4

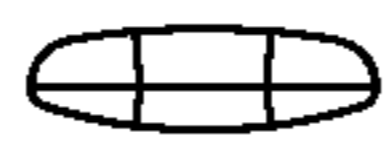


FIG.5

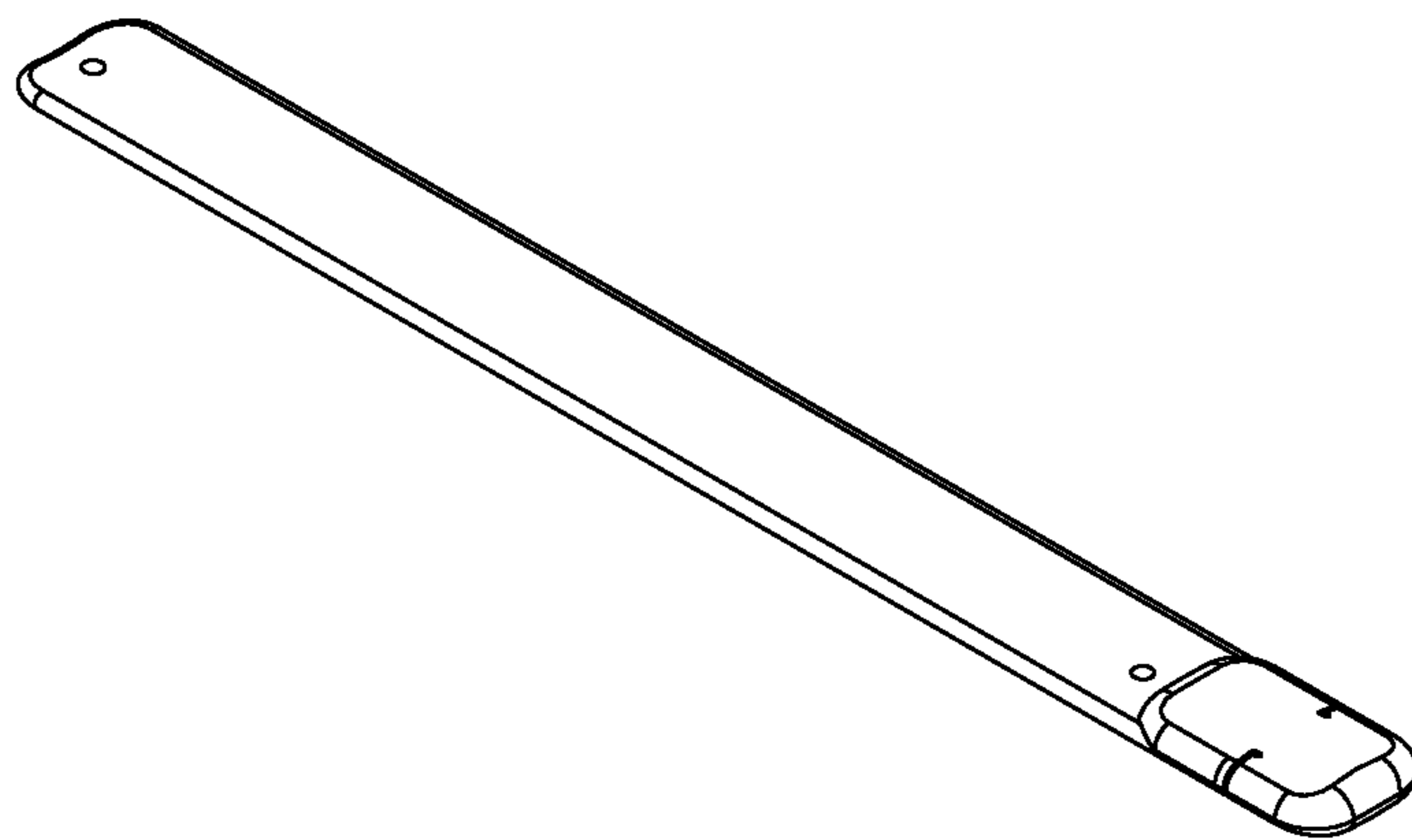


FIG.6



FIG.7

