



US00D707688S

(12) **United States Design Patent**
Wu

(10) **Patent No.:** **US D707,688 S**
(45) **Date of Patent:** **** Jun. 24, 2014**

(54) **MINIATURE USB DEVICE**
(71) Applicant: **Carry Technology Co., Ltd.**, New Taipei (TW)
(72) Inventor: **Tsung-Che Wu**, Kaohsiung (TW)
(73) Assignee: **Carry Technology Co., Ltd.**, New Taipei (TW)
(**) Term: **14 Years**

D648,726	S	*	11/2011	Behar et al.	D14/435.1
8,061,608	B2	*	11/2011	Liao et al.	235/439
D665,754	S	*	8/2012	Cobbett et al.	D13/147
8,305,750	B2	*	11/2012	Hsieh	361/679.33
D674,755	S	*	1/2013	Suzuki	D13/147
D678,841	S	*	3/2013	Choi et al.	D13/147
D679,248	S	*	4/2013	Choi et al.	D13/147
D679,250	S	*	4/2013	Choi et al.	D13/147
D684,976	S	*	6/2013	Akana et al.	D14/433
D685,382	S	*	7/2013	Anderson et al.	D14/480.5
D685,383	S	*	7/2013	Anderson et al.	D14/480.5
D688,651	S	*	8/2013	Daniel	D14/240
2012/0069518	A1	*	3/2012	Hsu et al.	361/679.58

(21) Appl. No.: **29/464,519**

OTHER PUBLICATIONS

(22) Filed: **Aug. 16, 2013**

DailyTech—MoGo Dapter: World’s Smallest Bluetooth Adapter, [online] Jan. 15, 2007 [retrieved on Oct. 14, 2008]. Retrieved from the Internet <URL: <http://www.dailytech.com/article.aspx?newsid=5711>>.*

(30) **Foreign Application Priority Data**

Apr. 19, 2013 (TW) 102302772

(Continued)

(51) **LOC (10) Cl.** **14-02**

Primary Examiner — Karen E Kearney

(52) **U.S. Cl.**
USPC **D14/480.1**

(74) *Attorney, Agent, or Firm* — Li & Cai Intellectual Property (USA) Office

(58) **Field of Classification Search**
USPC D14/411, 433, 435.1, 436, 480.1–480.7, D14/484.1, 137, 155, 203.1–203.8, 240; D13/133, 154; 710/300–301; 439/131, 439/135–147

(57) **CLAIM**

The ornamental design for a “miniature USB device,” as shown and described.

See application file for complete search history.

DESCRIPTION

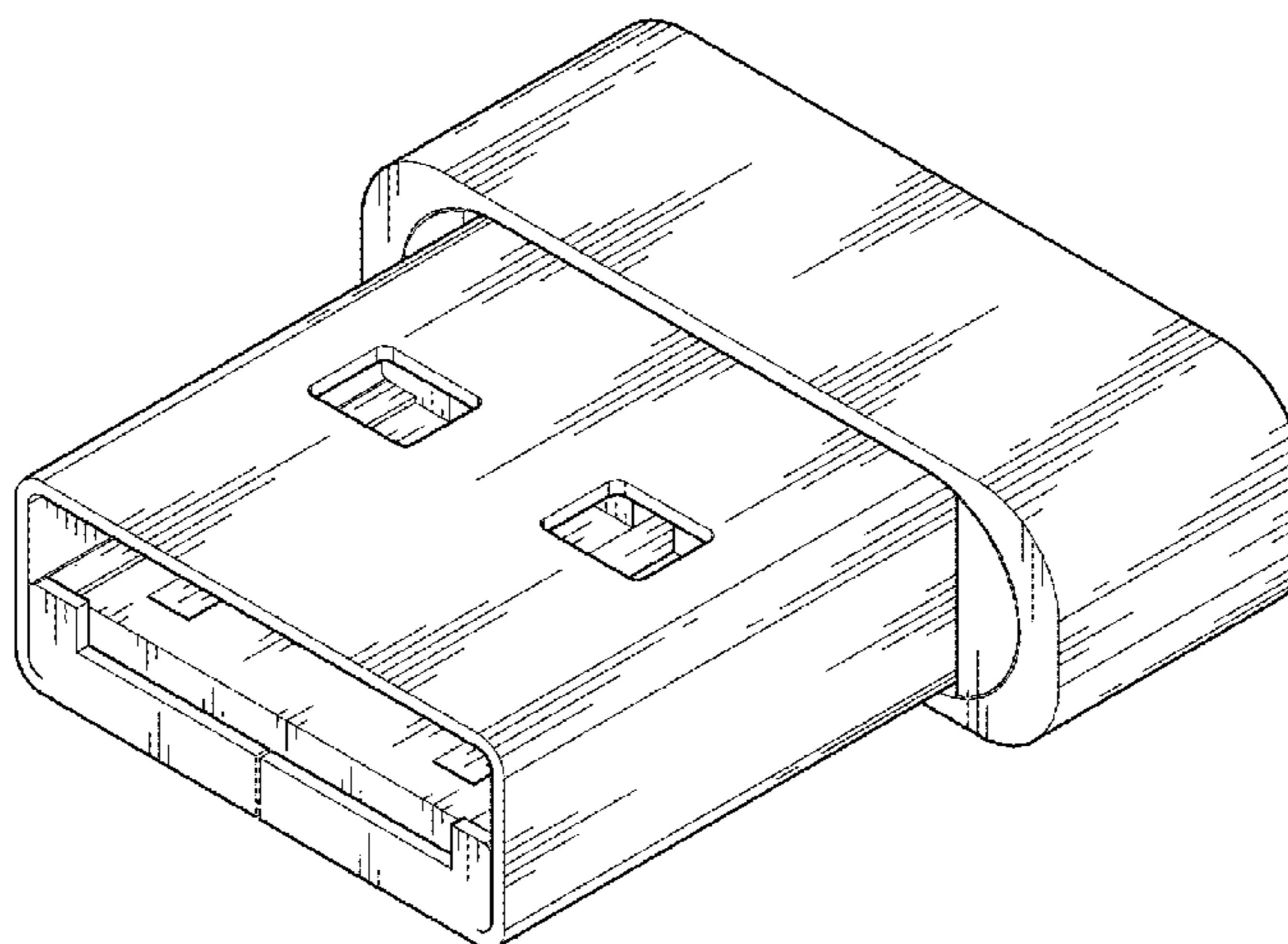
(56) **References Cited**

U.S. PATENT DOCUMENTS

D531,127	S	*	10/2006	Zhong et al.	D13/147
D560,166	S	*	1/2008	Andre et al.	D13/133
D576,619	S	*	9/2008	Udagawa et al.	D14/435.1
D587,209	S	*	2/2009	Tsai et al.	D13/147
D588,545	S	*	3/2009	Andre et al.	D13/154
D600,652	S	*	9/2009	Hong et al.	D13/154
D630,614	S	*	1/2011	Lee	D14/203.3
D630,615	S	*	1/2011	Lee	D14/203.3
D631,883	S	*	2/2011	Maier	D14/435.1
D631,885	S	*	2/2011	Maier	D14/435.1

FIG. 1 is a front perspective view of a miniature USB device showing my new design;
FIG. 2 is a front view thereof;
FIG. 3 is a rear view thereof;
FIG. 4 is a left side view thereof;
FIG. 5 is a right side view thereof;
FIG. 6 is a top view thereof;
FIG. 7 is a bottom view thereof; and,
FIG. 8 is a rear perspective view thereof.

1 Claim, 5 Drawing Sheets



(56)

References Cited

OTHER PUBLICATIONS

Silicon Power T01 32GB 32G USB Flash Drive Touch Nano Disk Mobile Tablet Metal items in 2ronz store on eBay!, [online], [retrieved on Mar. 26, 2013]. Retrieved from the Internet <URL:

http://stores.ebay.com/2ronz/USB-Flash-Drive-/_i.html?_fsub=216710013>.*

U819V—PQI Group, [online], [retrieved on Jan. 6, 2014]. Retrieved from the Internet <URL: http://www.pqigroup.com/prod_in.aspx?mnuid=1286&modid=138&prodid=394>.*

* cited by examiner

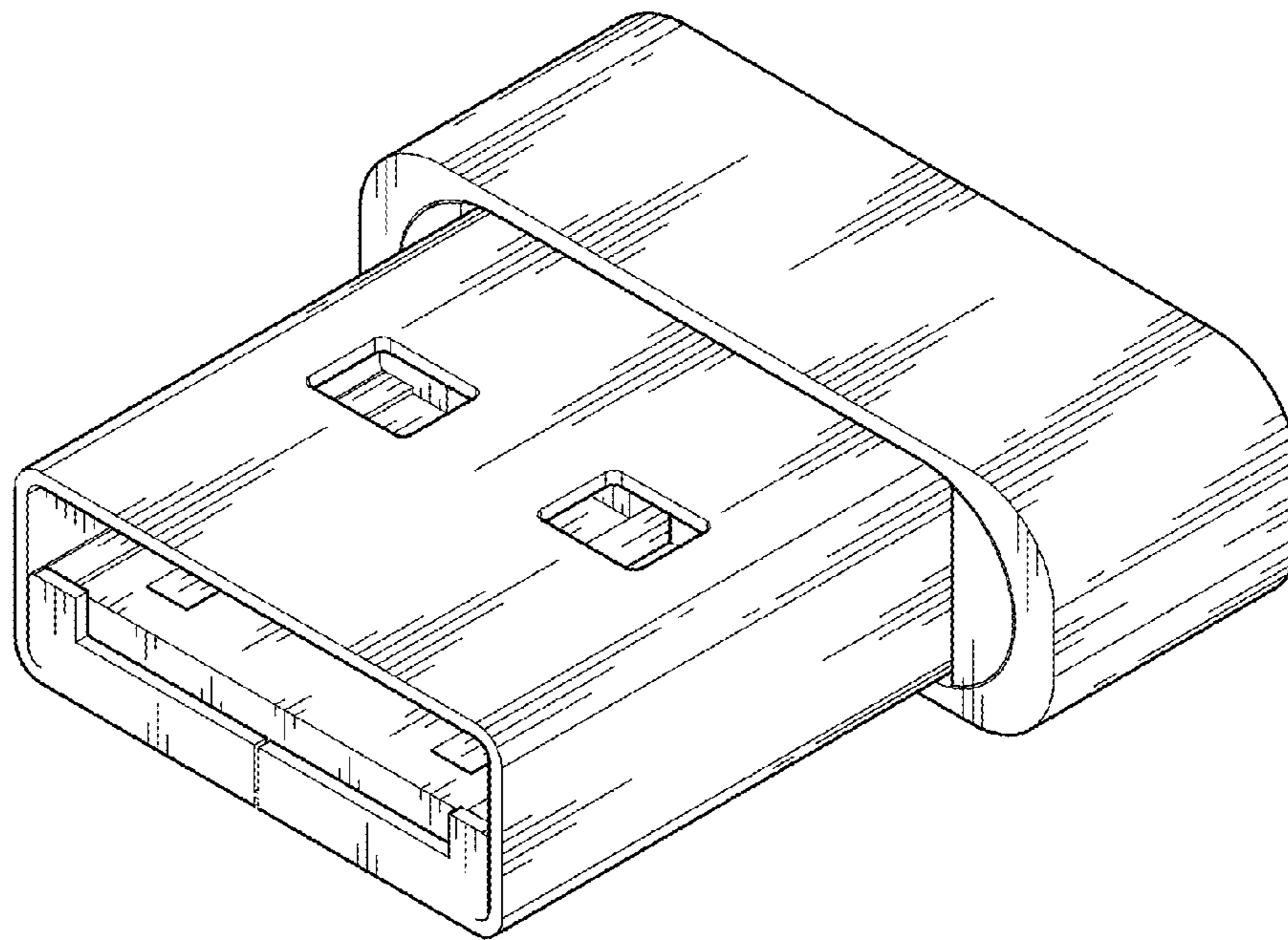


FIG.1

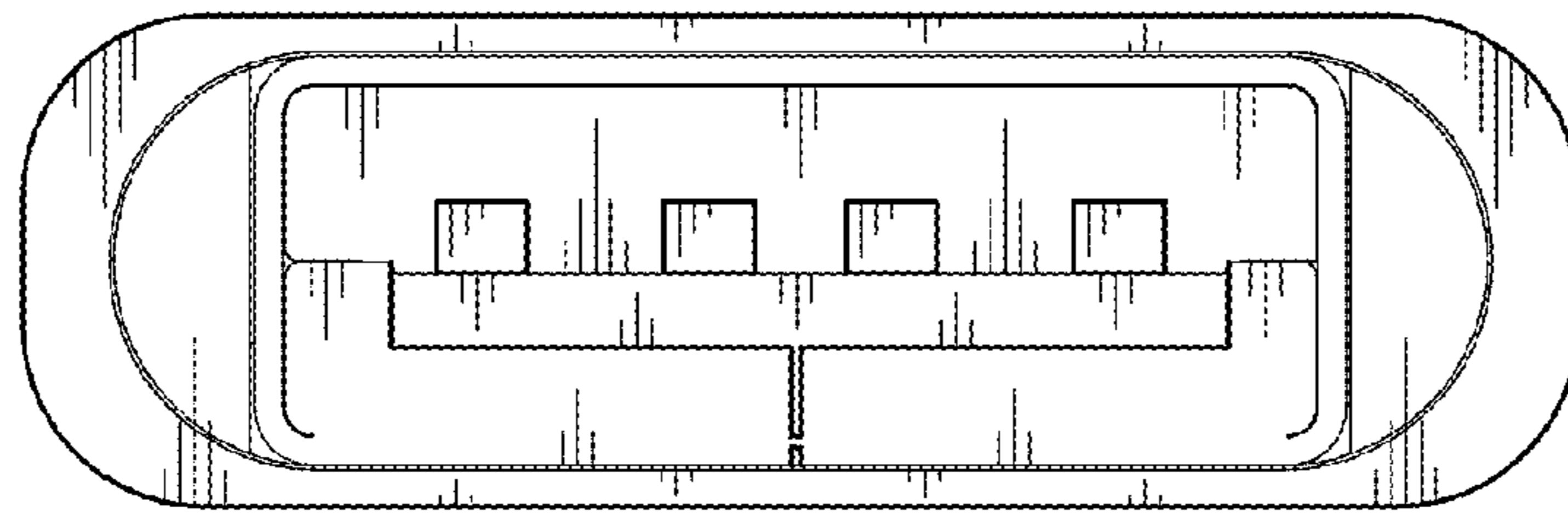


FIG. 2

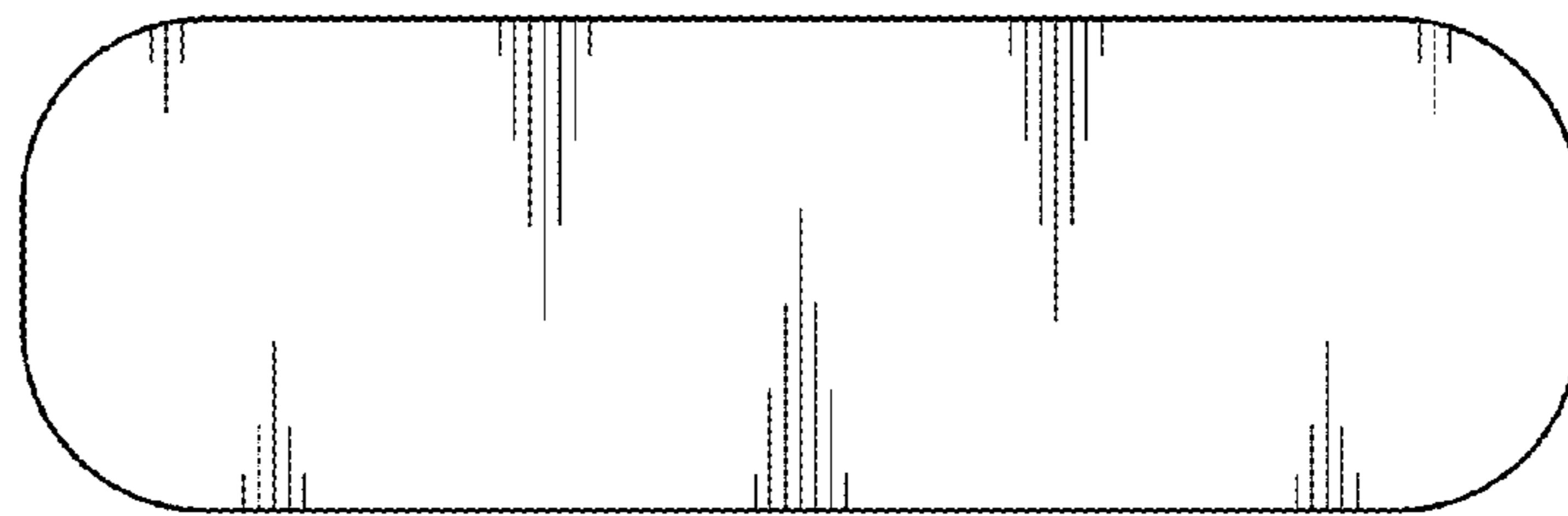


FIG. 3

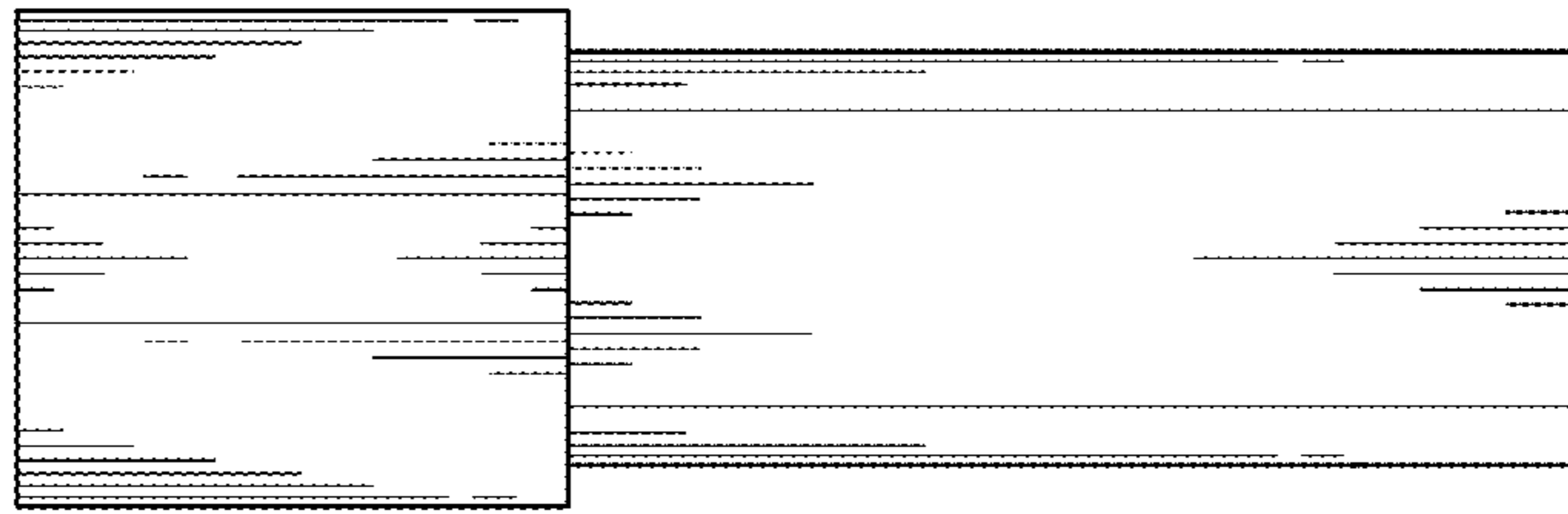


FIG. 4

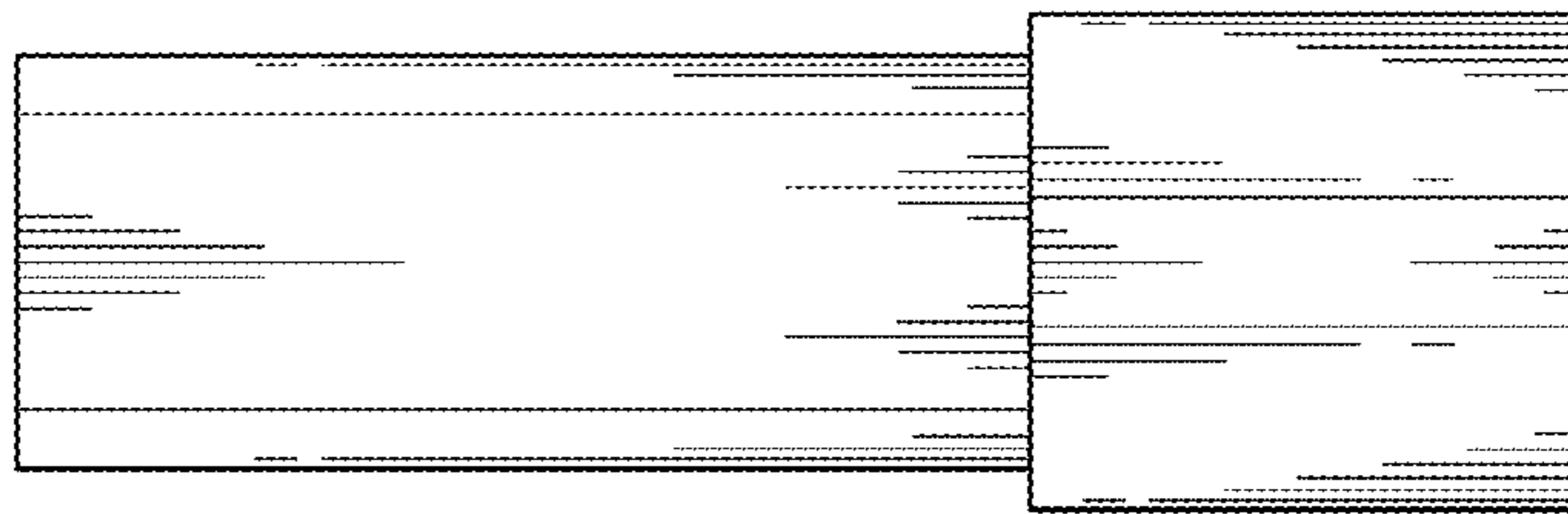


FIG. 5

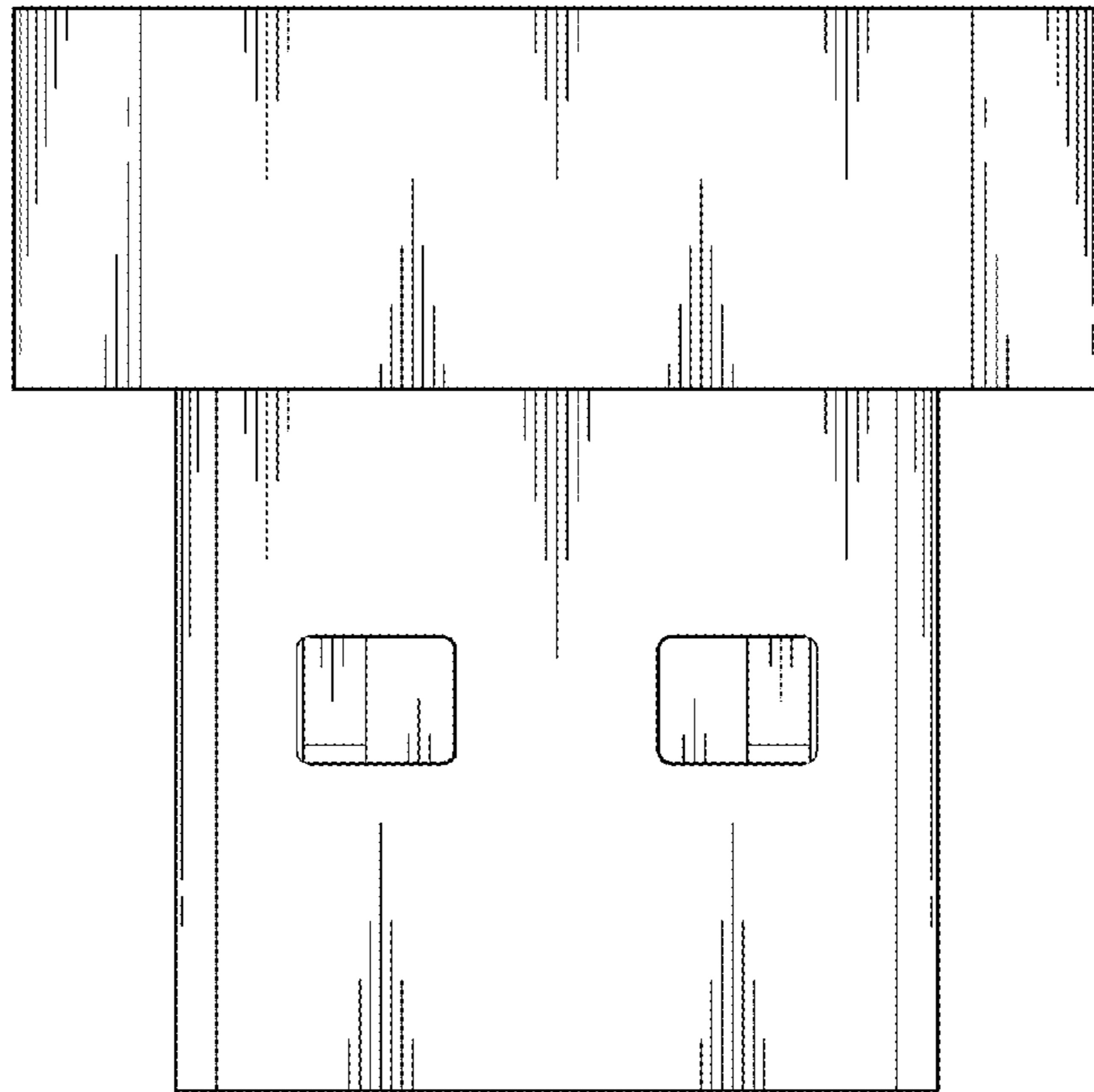


FIG. 6

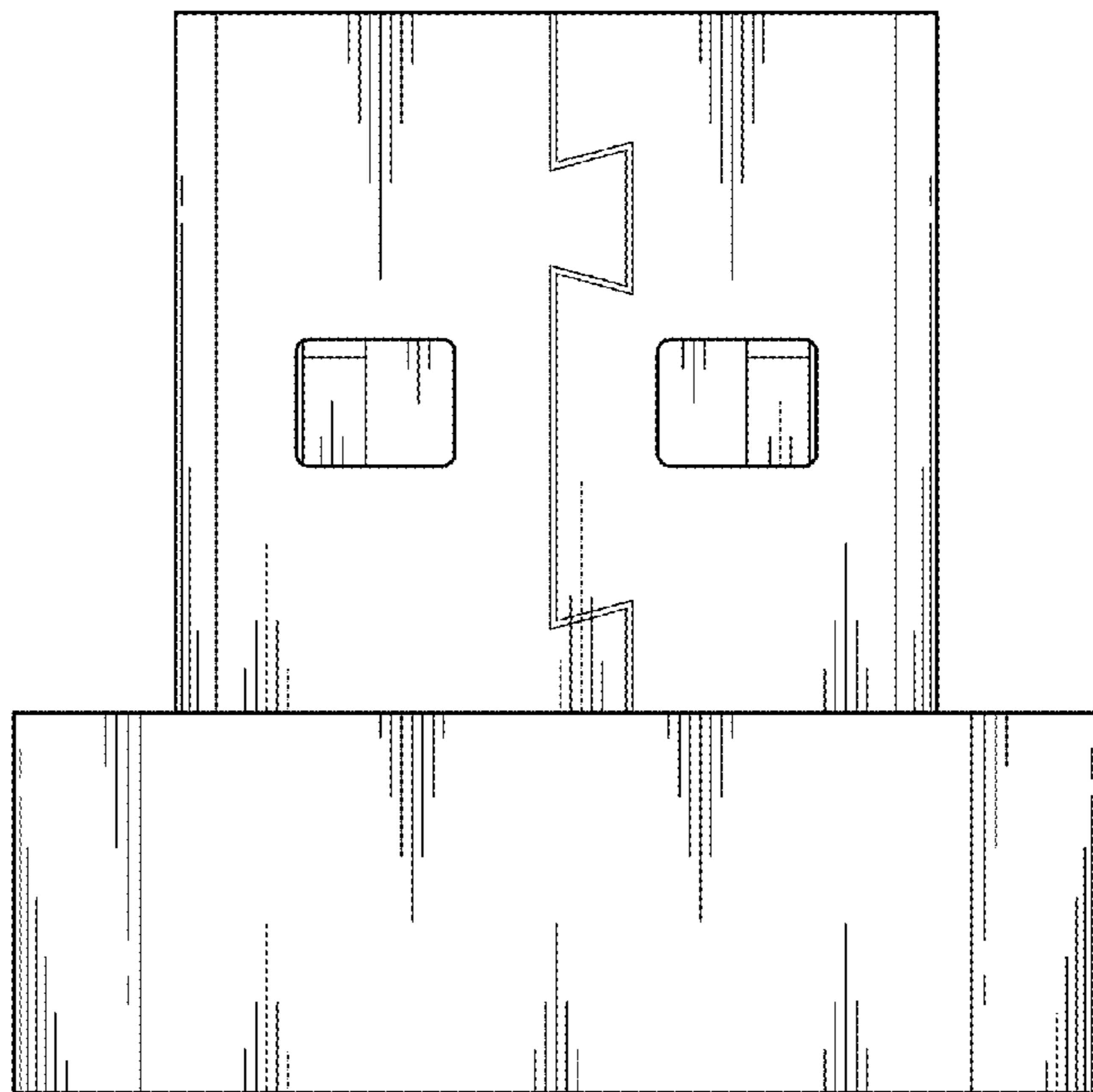


FIG. 7

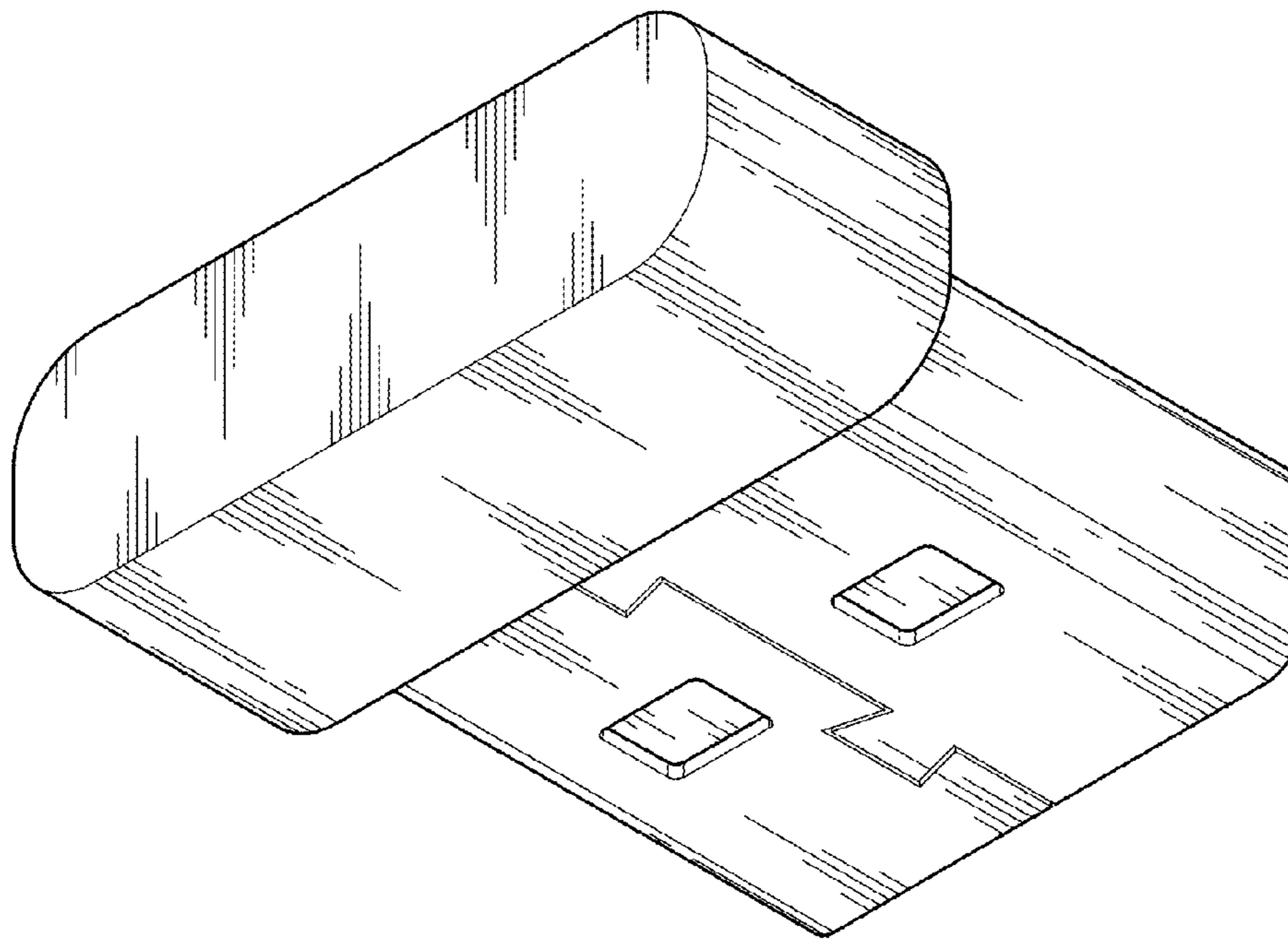


FIG.8