



US00D707687S

(12) **United States Design Patent**  
**White**

(10) **Patent No.:** **US D707,687 S**  
(45) **Date of Patent:** **\*\* Jun. 24, 2014**

(54) **DEVICE FOR SCANNING BAR CODES ON IDENTIFICATION CARDS USING A TABLET COMPUTER**

(71) Applicant: **Martin White**, Clayton, MO (US)

(72) Inventor: **Martin White**, Clayton, MO (US)

(73) Assignee: **Election Administrators, LLC**, Saint Louis, MO (US)

(\*\*) Term: **14 Years**

(21) Appl. No.: **29/447,910**

(22) Filed: **Mar. 7, 2013**

(51) **LOC (10) Cl.** ..... **14-02**

(52) **U.S. Cl.**  
USPC ..... **D14/453**

(58) **Field of Classification Search**  
USPC ..... D14/434, 447, 453, 432, 433, 385, 357, D14/149, 457, 253, 251, 356, 242, 439, D14/344; D13/108, 118, 199, 107, 177; D3/218, 228, 269; D18/12; D8/349, D8/382; 361/683, 686, 679, 600; 455/557, 455/556.1, 556.2, 575.4, 569.2, 569.1; 248/346.03, 176.1, 181.1, 309.1, 248/221.11; 200/6 R; 206/701; 320/113-115, 107; 379/426; 345/156, 345/901, 905; 439/374, 131, 529, 534, 929, 439/346, 31, 640; 235/472.01; 429/100  
See application file for complete search history.

(56) **References Cited**

**U.S. PATENT DOCUMENTS**

D197,996	S	*	4/1964	Abend et al.	.....	D18/36
4,443,098	A	*	4/1984	Walwyn et al.	.....	355/74
4,713,714	A	*	12/1987	Gatti et al.	.....	360/137
4,776,462	A	*	10/1988	Kosugi et al.	.....	206/454
D309,893	S	*	8/1990	Endo et al.	.....	D13/156
D317,157	S	*	5/1991	Jondelius	.....	D14/253

5,029,026	A	*	7/1991	Stefansky et al.	.....	360/97.13
5,192,042	A	*	3/1993	Wotring et al.	.....	248/176.1
D342,492	S	*	12/1993	Wang	.....	D14/420
5,463,527	A	*	10/1995	Hager et al.	.....	361/679.34
D365,341	S	*	12/1995	Chen	.....	D14/453
5,659,612	A	*	8/1997	Wang	.....	379/446
5,727,685	A	*	3/1998	Laganza et al.	.....	206/455
5,808,864	A	*	9/1998	Jung	.....	361/679.32
5,904,251	A	*	5/1999	Ogata et al.	.....	206/722
D412,326	S	*	7/1999	Gianfagna et al.	.....	D14/435
5,927,680	A	*	7/1999	Bridges et al.	.....	248/638
5,996,956	A	*	12/1999	Shawver	.....	248/309.1
6,005,768	A	*	12/1999	Jo	.....	361/679.34
6,040,980	A	*	3/2000	Johnson	.....	361/679.31
6,043,992	A	*	3/2000	Scheibler	.....	361/818
D424,035	S	*	5/2000	Steiner et al.	.....	D14/439
6,078,498	A	*	6/2000	Eckerd et al.	.....	361/679.31
6,196,516	B1	*	3/2001	Lan	.....	248/634
6,239,863	B1	*	5/2001	Catey et al.	.....	355/75
6,262,888	B1	*	7/2001	Siedow et al.	.....	361/679.34
6,268,039	B1	*	7/2001	Chou et al.	.....	428/122
6,311,945	B1	*	11/2001	D'Angelo	.....	248/632
6,324,054	B1	*	11/2001	Chee et al.	.....	361/679.34

(Continued)

*Primary Examiner* — Susan Moon Lee

(74) *Attorney, Agent, or Firm* — Thompson Coburn LLP

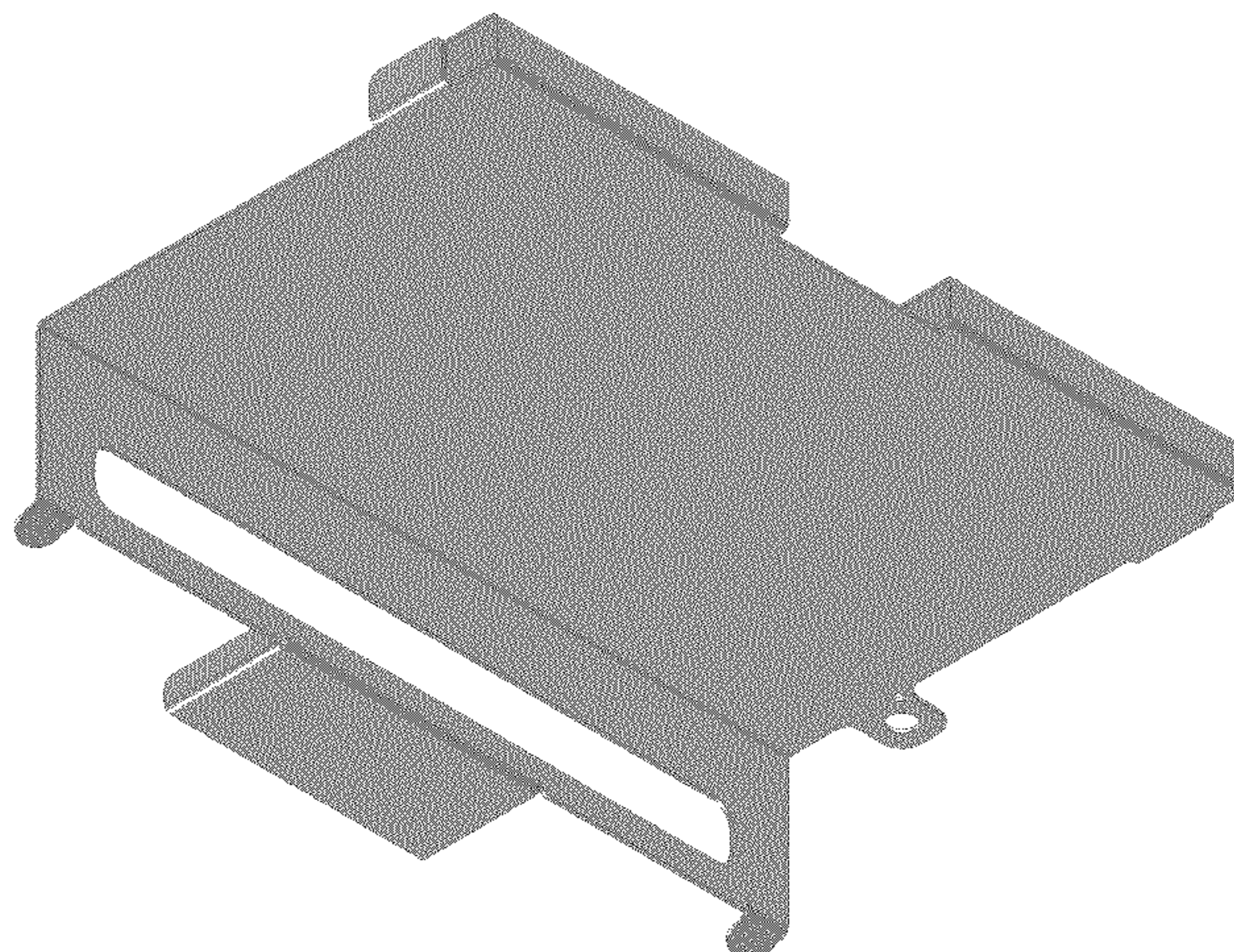
(57) **CLAIM**

The ornamental design for a device for scanning bar codes on identification cards using a tablet computer, as shown and described.

**DESCRIPTION**

FIG. 1 is a front view of a device for scanning bar codes on identification cards using a tablet computer;  
FIG. 2 is a top view thereof;  
FIG. 3 is a bottom view thereof;  
FIG. 4 is a right side view thereof;  
FIG. 5 is a left side view thereof;  
FIG. 6 is a rear view thereof;  
FIG. 7 is a front, top, right side perspective view thereof; and,  
FIG. 8 is bottom, right, rear perspective view thereof.

**1 Claim, 5 Drawing Sheets**



(56)

References Cited

U.S. PATENT DOCUMENTS

6,464,197 B1 \* 10/2002 Chen ..... 248/687  
 D466,507 S \* 12/2002 Nakamura ..... D14/363  
 D469,438 S \* 1/2003 Corrales ..... D14/432  
 6,626,689 B1 \* 9/2003 Yu ..... 439/159  
 6,629,860 B1 \* 10/2003 Hu et al. .... 439/607.31  
 D484,508 S \* 12/2003 Crippen et al. .... D14/439  
 D487,427 S \* 3/2004 Franks, Jr. .... D13/133  
 D487,459 S \* 3/2004 Stone et al. .... D14/363  
 D493,462 S \* 7/2004 Wang ..... D14/366  
 D506,469 S \* 6/2005 Matsunaga ..... D14/433  
 D510,090 S \* 9/2005 Obara et al. .... D14/420  
 D514,583 S \* 2/2006 Wakatabi et al. .... D14/453  
 D519,511 S \* 4/2006 Hung et al. .... D14/432  
 7,042,731 B2 \* 5/2006 Schneeberger ..... 361/724  
 D522,517 S \* 6/2006 Latawiec et al. .... D14/432  
 D523,859 S \* 6/2006 Deckers ..... D14/435  
 D529,915 S \* 10/2006 Scicluna et al. .... D14/439

7,147,163 B2 \* 12/2006 Salvato et al. .... 235/472.02  
 7,167,360 B2 \* 1/2007 Inoue et al. .... 361/679.34  
 7,200,001 B2 \* 4/2007 Spychalla ..... 361/679.33  
 7,242,280 B2 \* 7/2007 Frederiksen ..... 340/426.1  
 D576,163 S \* 9/2008 Sasaki ..... D14/363  
 D579,455 S \* 10/2008 Chu ..... D14/447  
 D585,069 S \* 1/2009 Choi ..... D14/453  
 7,564,645 B2 \* 7/2009 Tsuda et al. .... 360/97.19  
 D598,024 S \* 8/2009 Scott et al. .... D14/432  
 7,808,616 B2 \* 10/2010 Yamamoto ..... 355/75  
 7,830,497 B2 \* 11/2010 del Puerto et al. .... 355/77  
 7,916,268 B2 \* 3/2011 Tanaka ..... 355/30  
 8,168,959 B2 \* 5/2012 Suzuki et al. .... 250/492.2  
 D681,635 S \* 5/2013 Wang ..... D14/366  
 8,446,570 B2 \* 5/2013 Del Puerto et al. .... 355/75  
 D685,373 S \* 7/2013 Santos et al. .... D14/432  
 D686,624 S \* 7/2013 Kuehn et al. .... D14/432  
 D694,240 S \* 11/2013 Cho ..... D14/432  
 D694,241 S \* 11/2013 Cho ..... D14/432  
 2004/0130861 A1 \* 7/2004 Beall et al. .... 361/682

\* cited by examiner

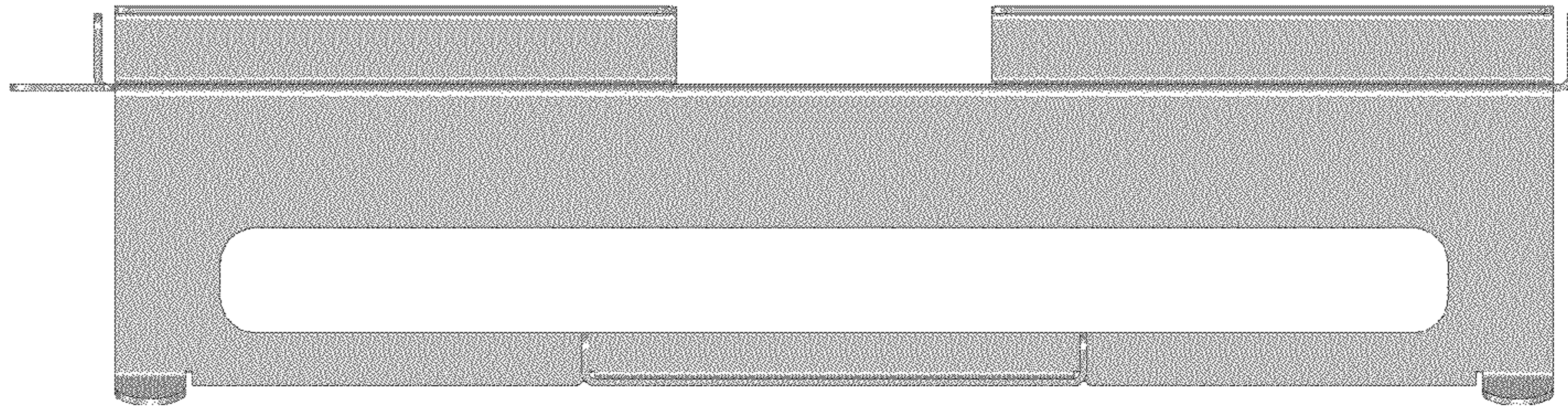


FIG. 1

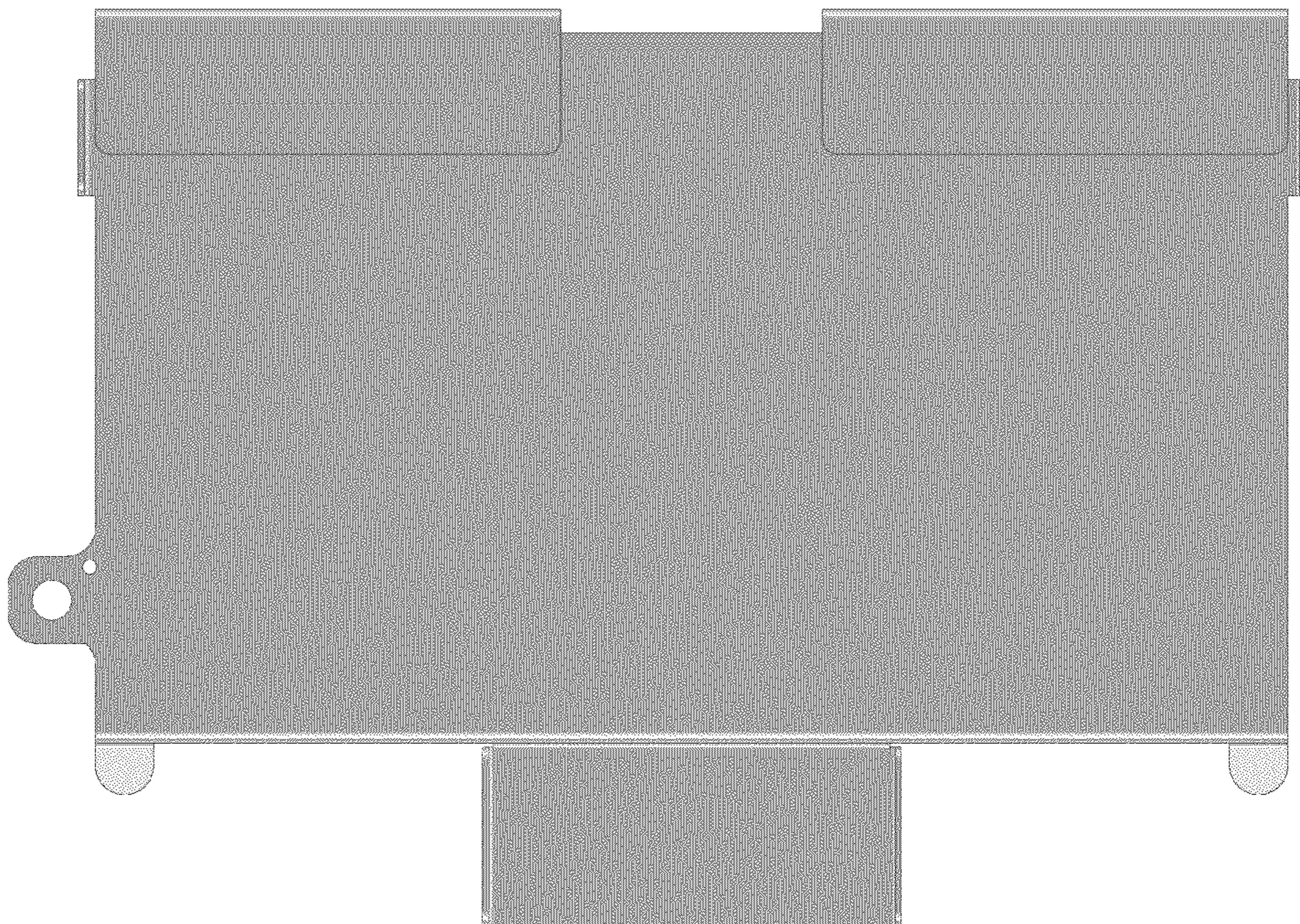


FIG. 2

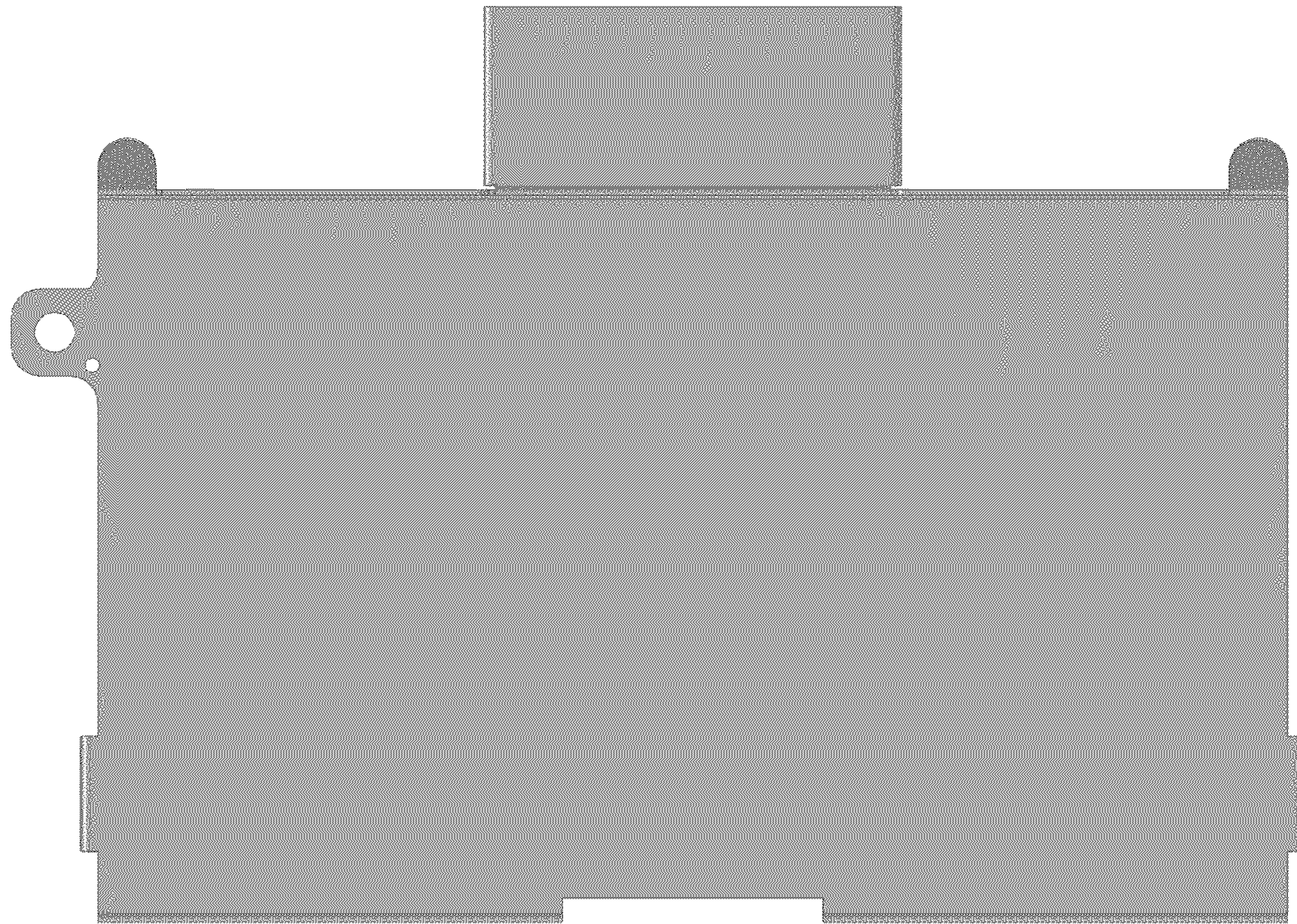


FIG. 3

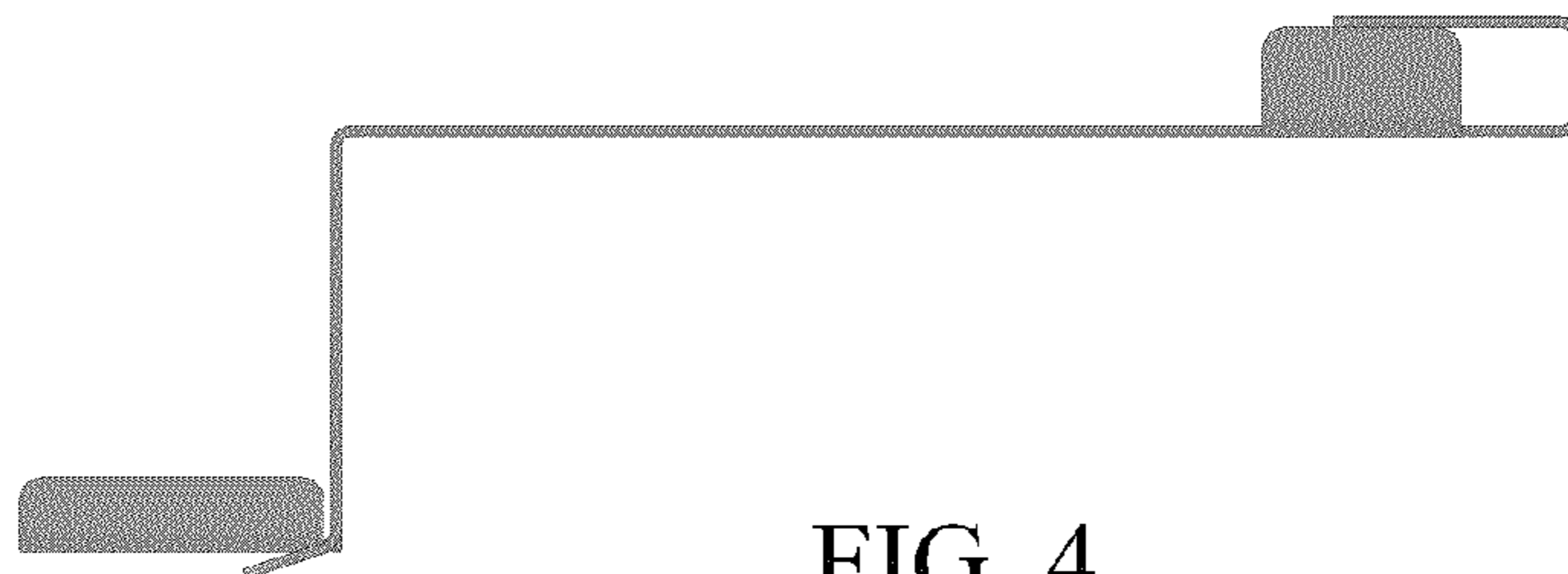


FIG. 4

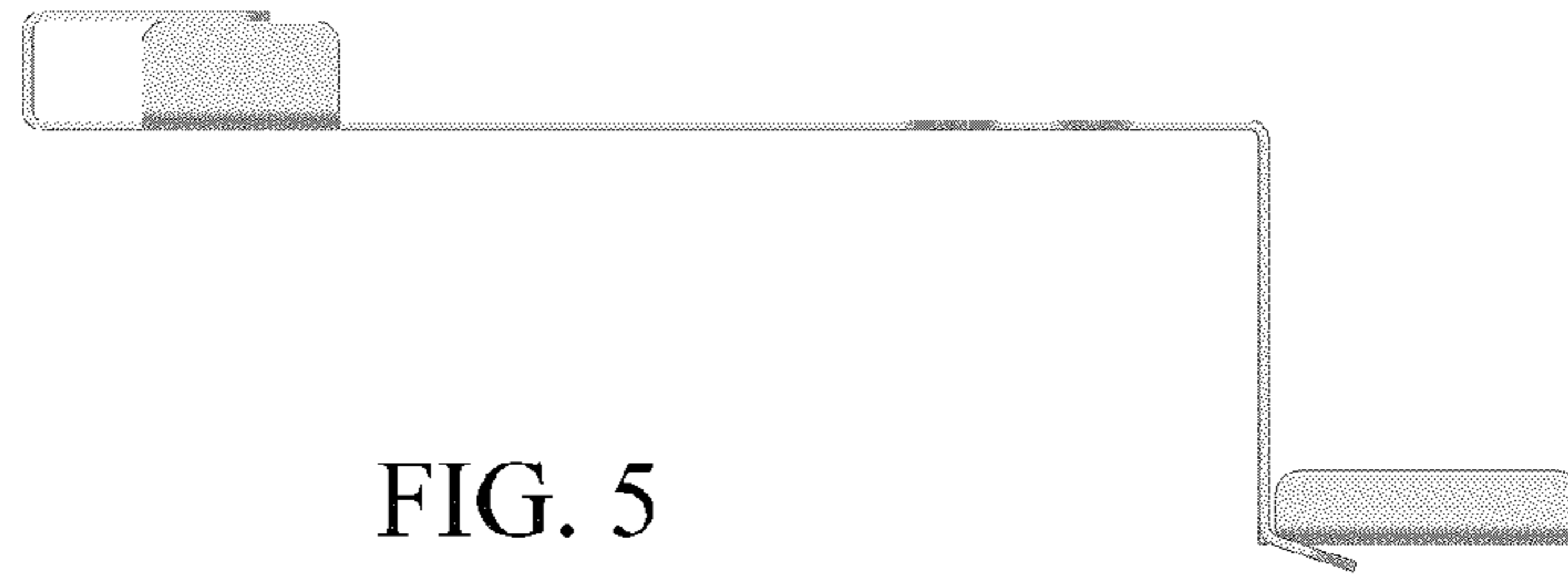


FIG. 5

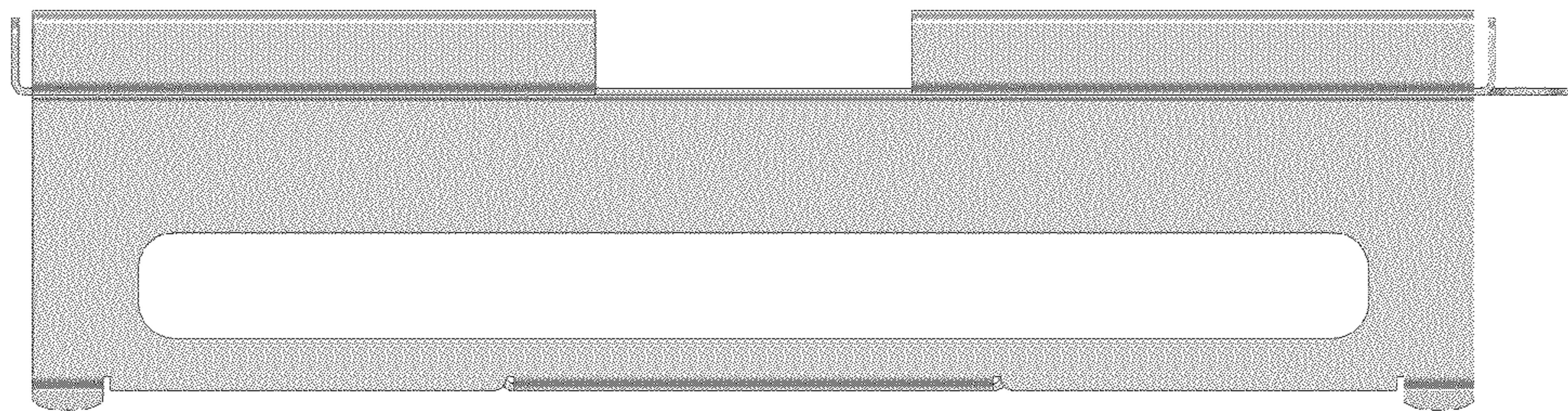


FIG. 6

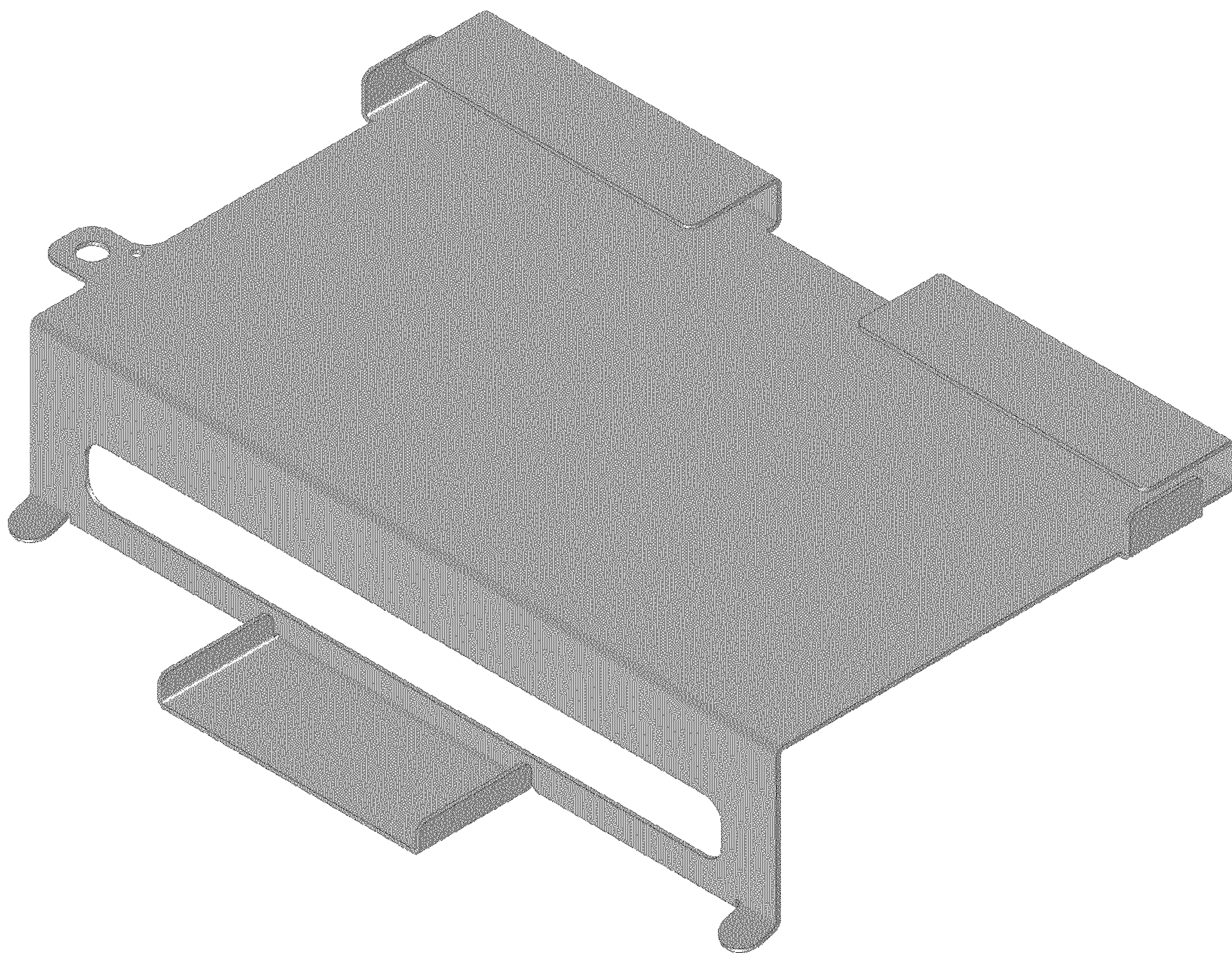


FIG. 7

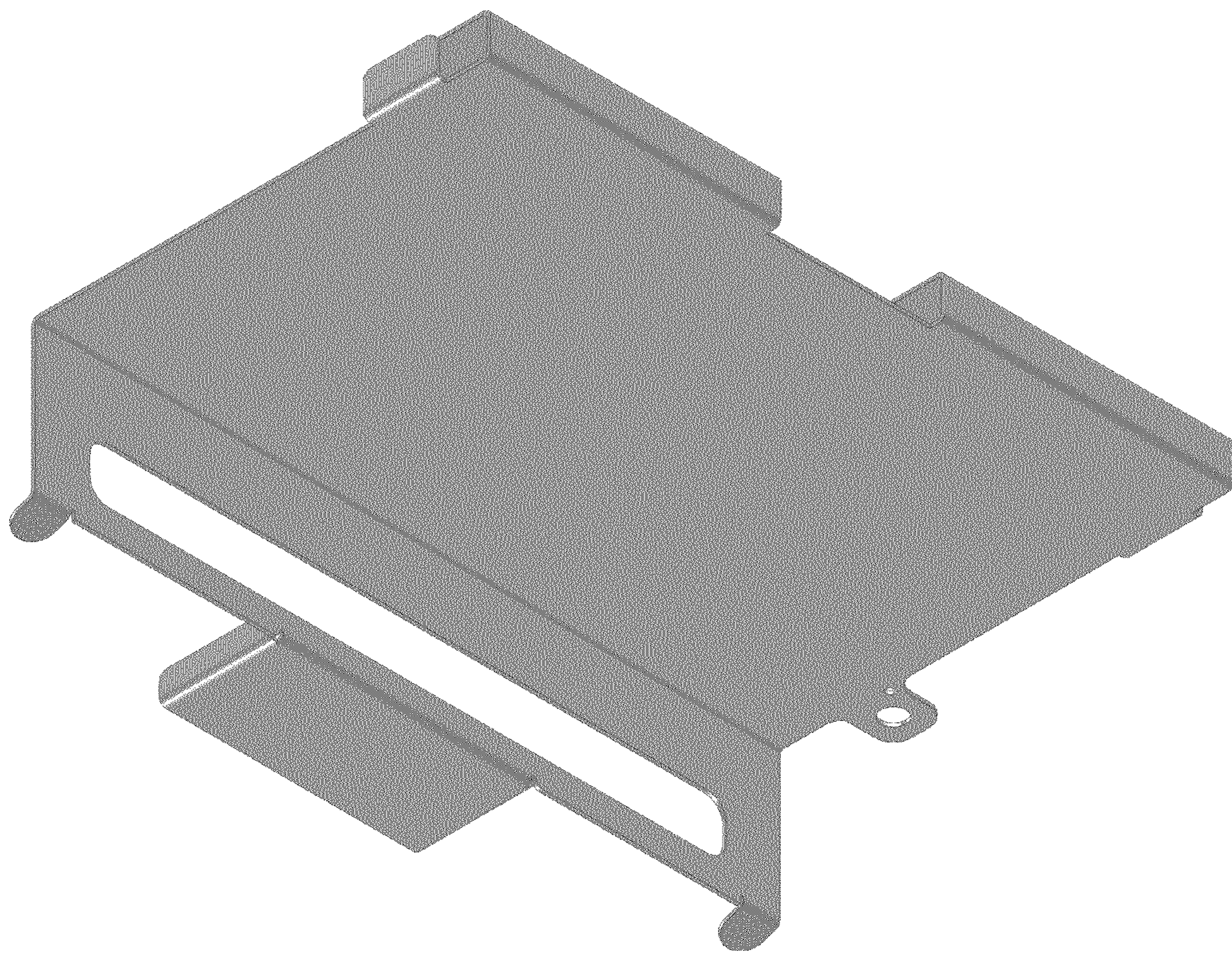


FIG. 8