



US00D707686S

(12) **United States Design Patent**
White

(10) **Patent No.:** **US D707,686 S**
(45) **Date of Patent:** **** Jun. 24, 2014**

(54) **DEVICE FOR SCANNING BAR CODES ON IDENTIFICATION CARDS USING A TABLET COMPUTER**

(75) Inventor: **Martin White**, Clayton, MO (US)

(73) Assignee: **Election Administrators, LLC**, Saint Louis, MO (US)

(**) Term: **14 Years**

(21) Appl. No.: **29/431,821**

(22) Filed: **Sep. 11, 2012**

(51) **LOC (10) Cl.** **14-02**

(52) **U.S. Cl.**
USPC **D14/453**

(58) **Field of Classification Search**
USPC D14/434, 447, 453, 432, 433, 385, 357, D14/149, 457, 253, 251, 356, 242, 439, D14/344; D13/108, 118, 199, 107, 177; D3/218, 228, 269; D18/12; D8/349, D8/382; 361/683, 686, 679, 600; 455/557, 455/556.1, 556.2, 575.4, 569.2, 569.1; 248/346.03, 176.1, 181.1, 309.1, 248/221.11; 200/6 R; 206/701; 320/113-115, 107; 379/426; 345/156, 345/901, 905; 439/374, 131, 529, 534, 929, 439/346, 31, 640; 235/472.01; 429/100

See application file for complete search history.

(56) **References Cited**

U.S. PATENT DOCUMENTS

D197,996	S	*	4/1964	Abend et al.	D18/36
4,443,098	A	*	4/1984	Walwyn et al.	355/74
4,713,714	A	*	12/1987	Gatti et al.	360/137
4,776,462	A	*	10/1988	Kosugi et al.	206/454
D309,893	S	*	8/1990	Endo et al.	D13/156
D317,157	S	*	5/1991	Jondelius	D14/253
5,029,026	A	*	7/1991	Stefansky et al.	360/97.13
5,192,042	A	*	3/1993	Wotring et al.	248/176.1

D342,492	S	*	12/1993	Wang	D14/420
5,463,527	A	*	10/1995	Hager et al.	361/679.34
D365,341	S	*	12/1995	Chen	D14/453
5,659,612	A	*	8/1997	Wang	379/446
5,727,685	A	*	3/1998	Laganza et al.	206/455
5,808,864	A	*	9/1998	Jung	361/679.32
5,904,251	A	*	5/1999	Ogata et al.	206/722
D412,326	S	*	7/1999	Gianfagna et al.	D14/435
5,927,680	A	*	7/1999	Bridges et al.	248/638
5,996,956	A	*	12/1999	Shawver	248/309.1
6,005,768	A	*	12/1999	Jo	361/679.34
6,040,980	A	*	3/2000	Johnson	361/679.31
6,043,992	A	*	3/2000	Scheibler	361/818
D424,035	S	*	5/2000	Steiner et al.	D14/439
6,078,498	A	*	6/2000	Eckerd et al.	361/679.31
6,196,516	B1	*	3/2001	Lan	248/634
6,239,863	B1	*	5/2001	Catey et al.	355/75
6,262,888	B1	*	7/2001	Siedow et al.	361/679.34
6,268,039	B1	*	7/2001	Chou et al.	428/122
6,311,945	B1	*	11/2001	D'Angelo	248/632
6,324,054	B1	*	11/2001	Chee et al.	361/679.34
6,464,197	B1	*	10/2002	Chen	248/687
D466,507	S	*	12/2002	Nakamura	D14/363

(Continued)

Primary Examiner — Susan Moon Lee

(74) *Attorney, Agent, or Firm* — Thompson Coburn LLP

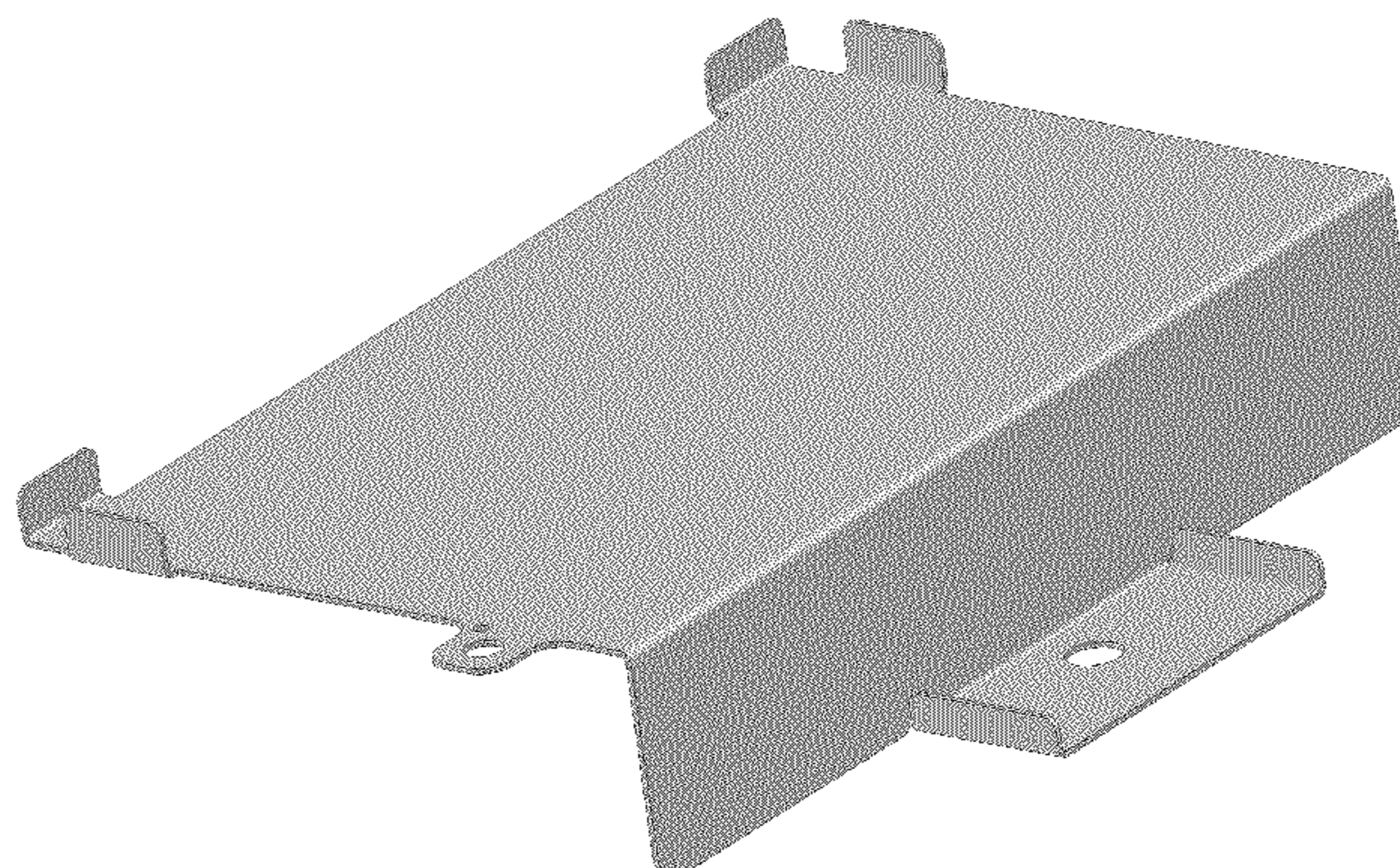
(57) **CLAIM**

The ornamental design for a device for scanning bar codes on identification cards using a tablet computer, as shown and described.

DESCRIPTION

FIG. 1 is a perspective view of a device for scanning bar codes on identification cards using a tablet computer;
FIG. 2 is a front view thereof;
FIG. 3 is a top view thereof;
FIG. 4 is a left side view thereof;
FIG. 5 is a right side view thereof;
FIG. 6 is a bottom view thereof;
FIG. 7 is a rear view thereof; and,
FIG. 8 is an isometric view thereof.

1 Claim, 4 Drawing Sheets



(56)

References Cited

U.S. PATENT DOCUMENTS

D469,438 S *	1/2003	Corrales	D14/432	7,167,360 B2 *	1/2007	Inoue et al.	361/679.34
6,626,689 B1 *	9/2003	Yu	439/159	7,200,001 B2 *	4/2007	Spychalla	361/679.33
6,629,860 B1 *	10/2003	Hu et al.	439/607.31	7,242,280 B2 *	7/2007	Frederiksen	340/426.1
D484,508 S *	12/2003	Crippen et al.	D14/439	D576,163 S *	9/2008	Sasaki	D14/363
D487,427 S *	3/2004	Franks, Jr.	D13/133	D579,455 S *	10/2008	Chu	D14/447
D487,459 S *	3/2004	Stone et al.	D14/363	D585,069 S *	1/2009	Choi	D14/453
D493,462 S *	7/2004	Wang	D14/366	7,564,645 B2 *	7/2009	Tsuda et al.	360/97.19
D506,469 S *	6/2005	Matsunaga	D14/433	D598,024 S *	8/2009	Scott et al.	D14/432
D510,090 S *	9/2005	Obara et al.	D14/420	7,808,616 B2 *	10/2010	Yamamoto	355/75
D514,583 S *	2/2006	Wakatabi et al.	D14/453	7,830,497 B2 *	11/2010	del Puerto et al.	355/77
D519,511 S *	4/2006	Hung et al.	D14/432	7,916,268 B2 *	3/2011	Tanaka	355/30
7,042,731 B2 *	5/2006	Schneeberger	361/724	8,168,959 B2 *	5/2012	Suzuki et al.	250/492.2
D522,517 S *	6/2006	Latawiec et al.	D14/432	D681,635 S *	5/2013	Wang	D14/366
D523,859 S *	6/2006	Deckers	D14/435	8,446,570 B2 *	5/2013	Del Puerto et al.	355/75
D529,915 S *	10/2006	Sciicluna et al.	D14/439	D685,373 S *	7/2013	Santos et al.	D14/432
7,147,163 B2 *	12/2006	Salvato et al.	235/472.02	D686,624 S *	7/2013	Kuehn et al.	D14/432
					D694,240 S *	11/2013	Cho	D14/432
					D694,241 S *	11/2013	Cho	D14/432
					2004/0130861 A1 *	7/2004	Beall et al.	361/682

* cited by examiner

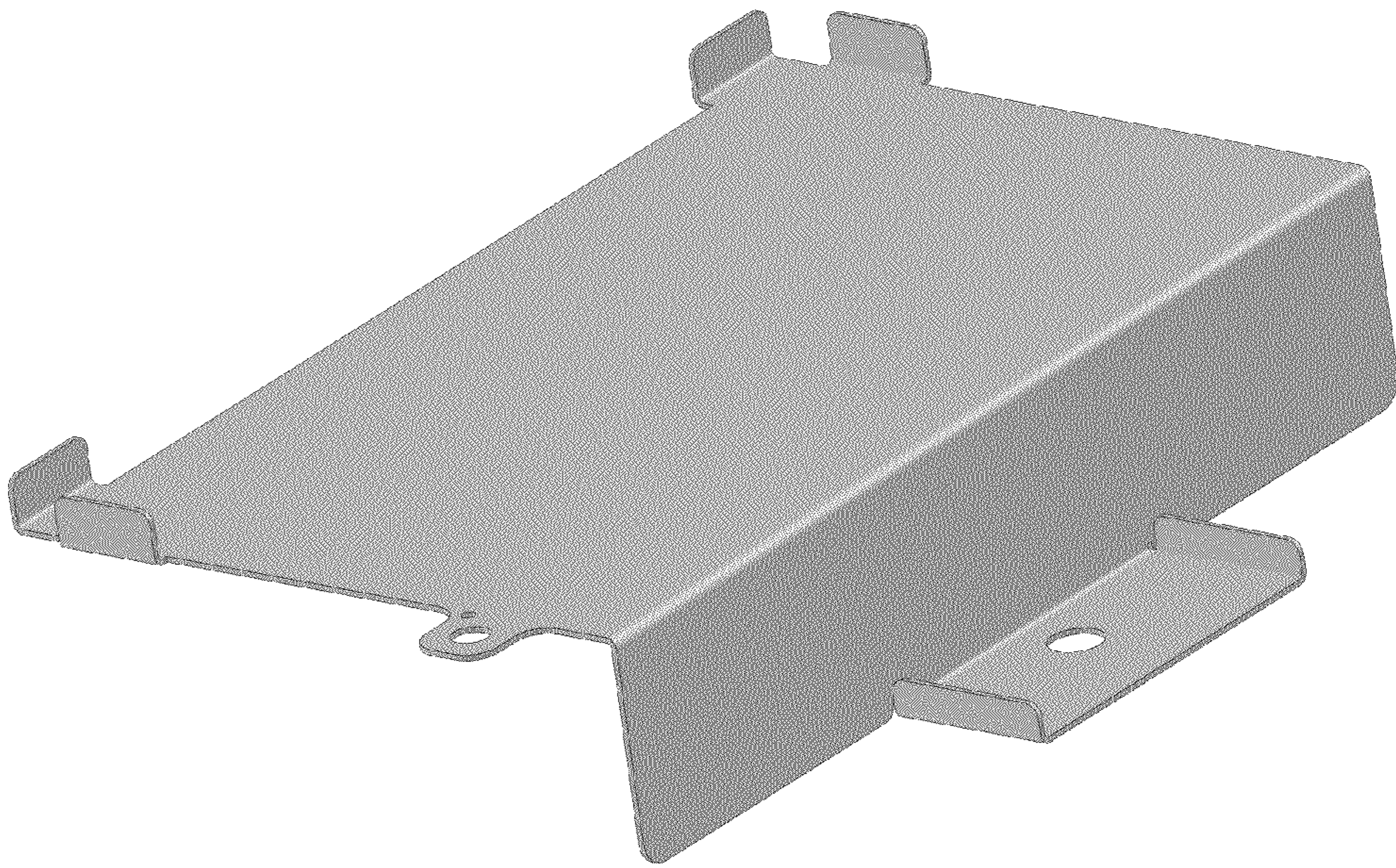


FIG. 1

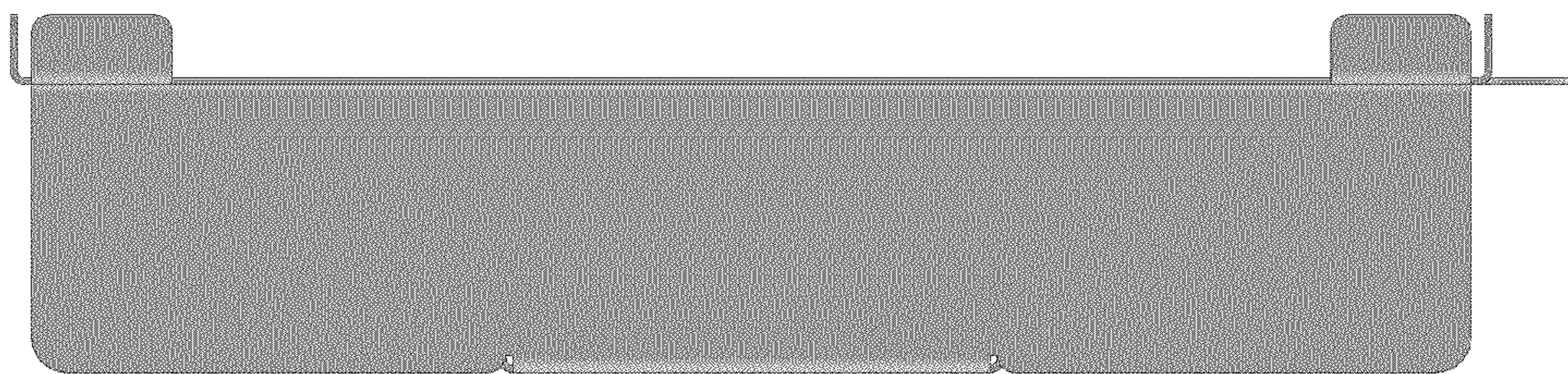


FIG. 2

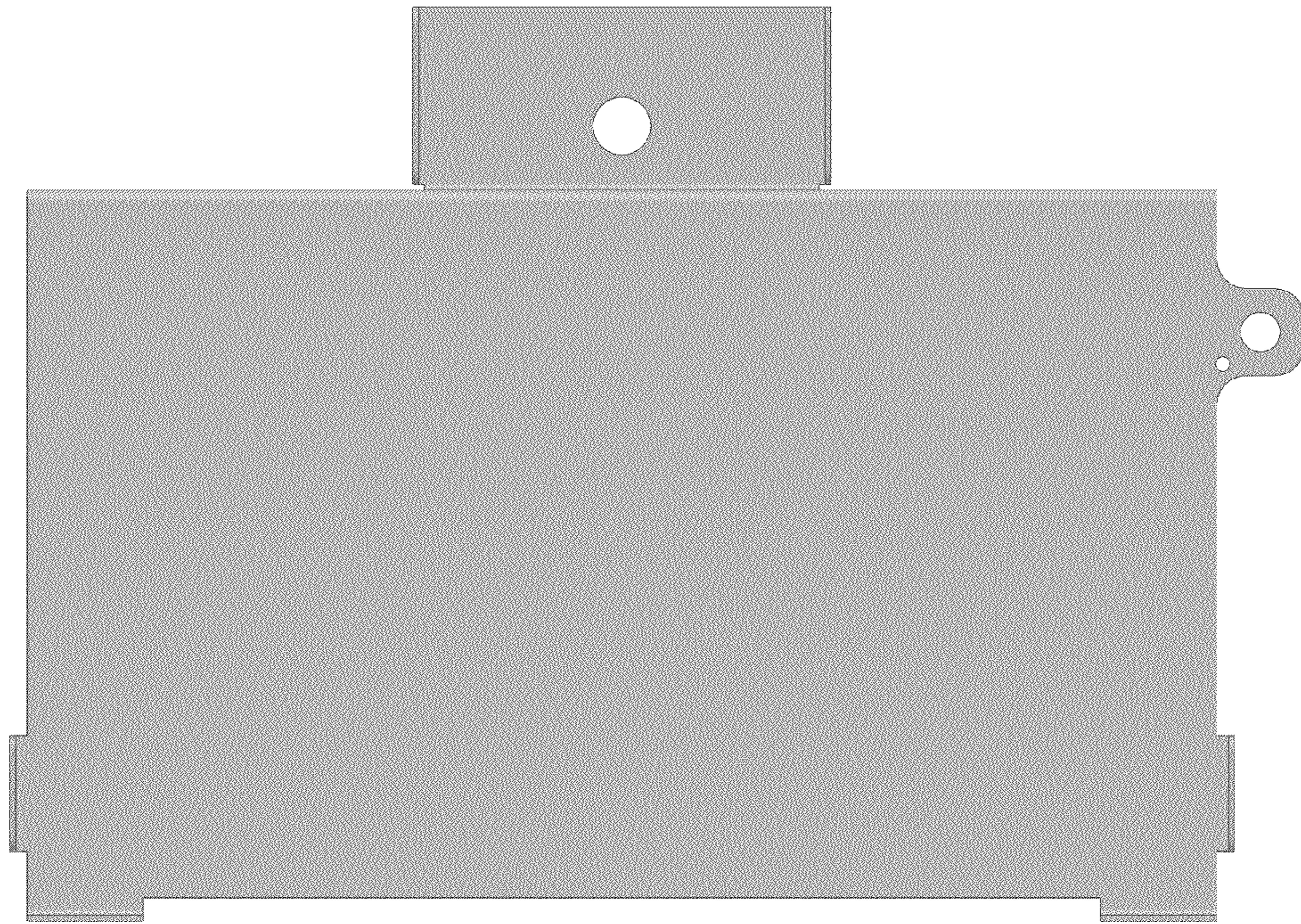


FIG. 3



FIG. 4

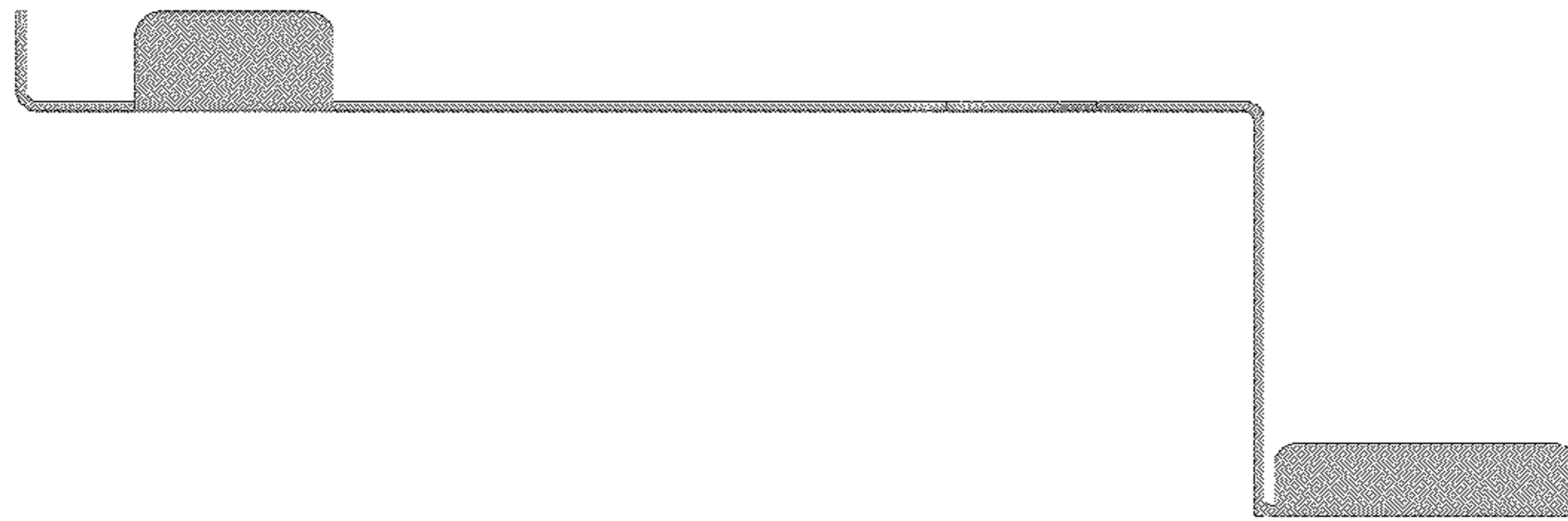


FIG. 5

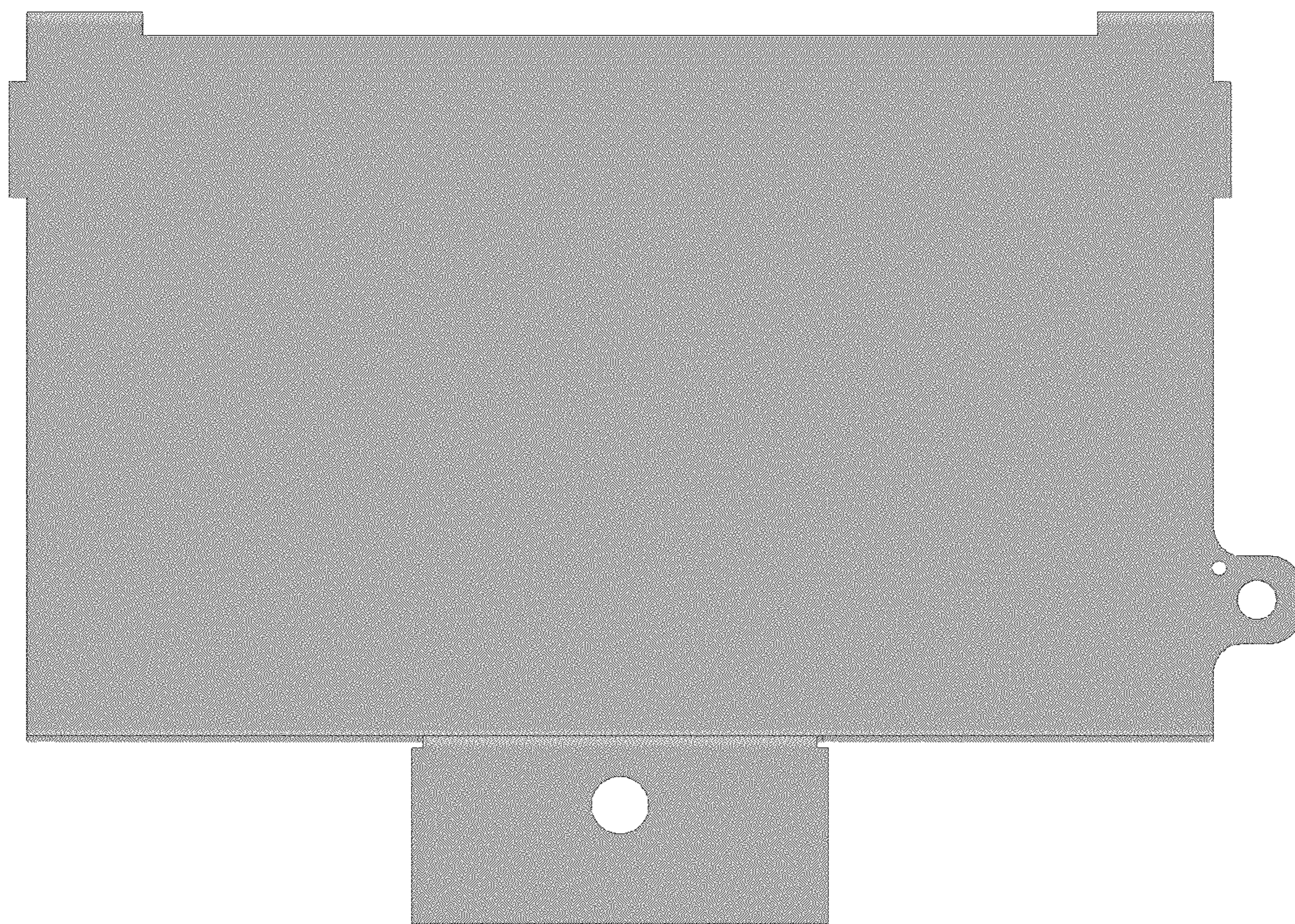


FIG. 6

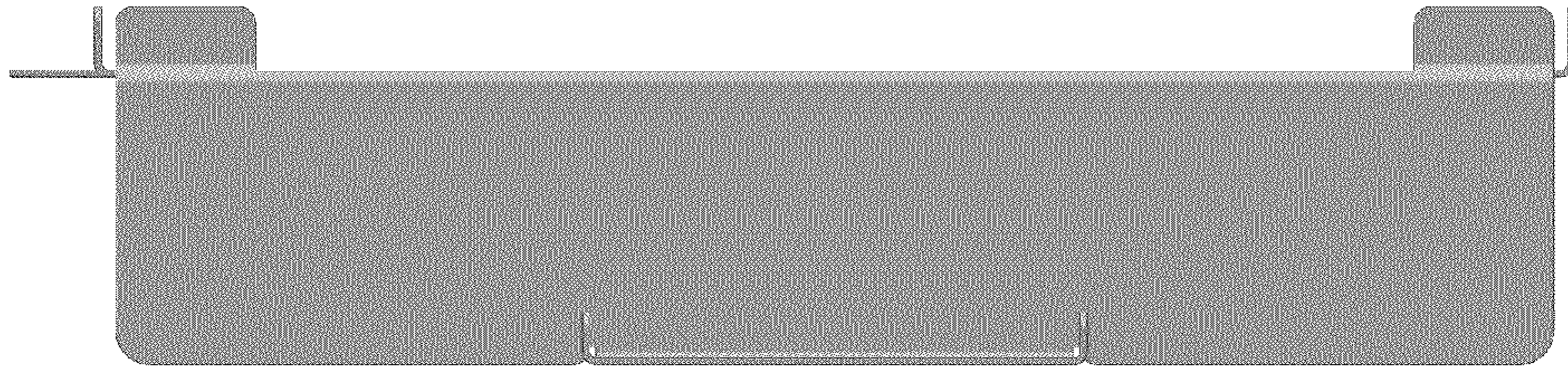


FIG. 7

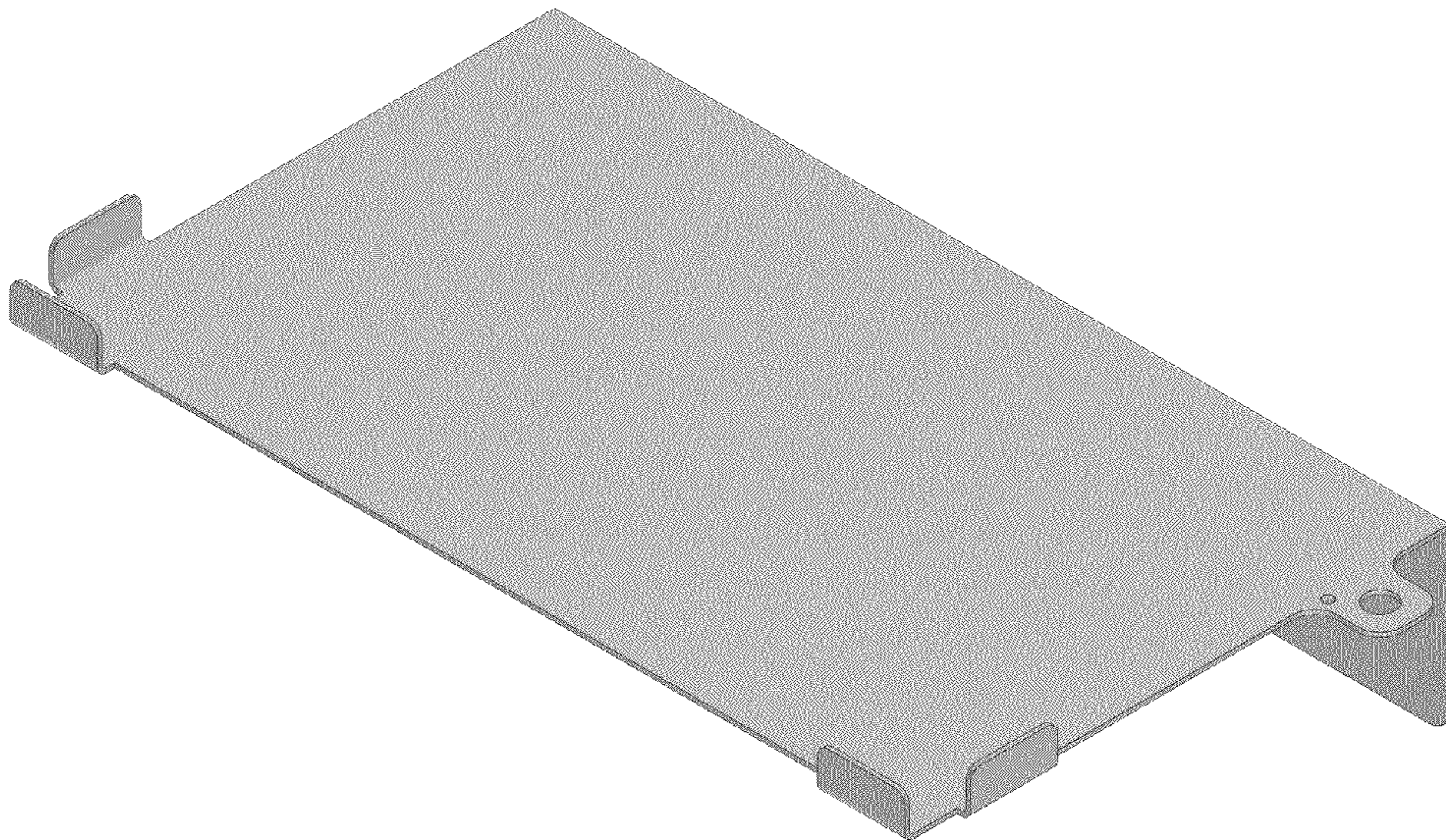


FIG. 8