



US00D707685S

(12) **United States Design Patent**
Johnson et al.

(10) **Patent No.:** **US D707,685 S**
(45) **Date of Patent:** **** Jun. 24, 2014**

(54) **COMPUTING DEVICE HOLDER AND DOCK**

(71) Applicant: **Toshiba Global Commerce Solutions Holdings Corporation**, Tokyo (JP)

(72) Inventors: **Brad M. Johnson**, Raleigh, NC (US);
Robert A. Myers, Cary, NC (US);
William L. Talley, Wake Forest, NC (US);
Seth T. Teeples, Raleigh, NC (US)

(73) Assignee: **Toshiba Global Commerce Solutions Holdings Corporation**, Tokyo (JP)

(**) Term: **14 Years**

(21) Appl. No.: **29/469,472**

(22) Filed: **Oct. 10, 2013**

(51) **LOC (10) Cl.** **08-07**

(52) **U.S. Cl.**
USPC **D14/447**

(58) **Field of Classification Search**
CPC A47B 21/04; A47B 23/043; A47B 2021/0314; A47B 2021/0307; A47B 2023/049; F16M 13/00; A45C 2011/002; A45C 2011/003; A45C 2013/025
USPC D14/447, 432, 434, 439, 440, 451, 452, D14/457, 460, 461, 238.1, 250, 251, 253; D3/218; D6/406.3, 406.4, 406.5, D6/406.6, 441.1, 188.6, 917-924, 679.02, D6/679.03, 679.09, 679.21, 679.26, D6/679.27, 679.3, 679.55, 679.56; 248/444, 441.1, 188.6, 917-924; 361/679.02, 679.03, 679.04, 679.09, 361/679.21, 679.26, 679.27, 679.3, 679.55, 361/679.56

See application file for complete search history.

(56) **References Cited**

U.S. PATENT DOCUMENTS

D650,783 S 12/2011 Ausfeld et al.
D671,544 S * 11/2012 Chun et al. D14/447

D673,567 S 1/2013 Yang
D675,211 S * 1/2013 Rouser D14/440
D676,449 S * 2/2013 Probst et al. D14/440
D678,886 S * 3/2013 Heckler D14/447
D686,216 S * 7/2013 Hachadorian et al. D14/447
D686,595 S 7/2013 Andre et al.
D687,441 S * 8/2013 Janzen D14/447
D687,832 S * 8/2013 Edwards et al. D14/447
D689,057 S 9/2013 Waterman
D689,058 S * 9/2013 Waterman D14/447
D691,144 S * 10/2013 Peters et al. D14/440

(Continued)

OTHER PUBLICATIONS

Tablet PC docking station; found at <http://www.pclaunches.com/notebooks/tablet_pc_docking_station.php>.

(Continued)

Primary Examiner — Angela J Lee

(74) *Attorney, Agent, or Firm* — Olive Law Group, PLLC

(57) **CLAIM**

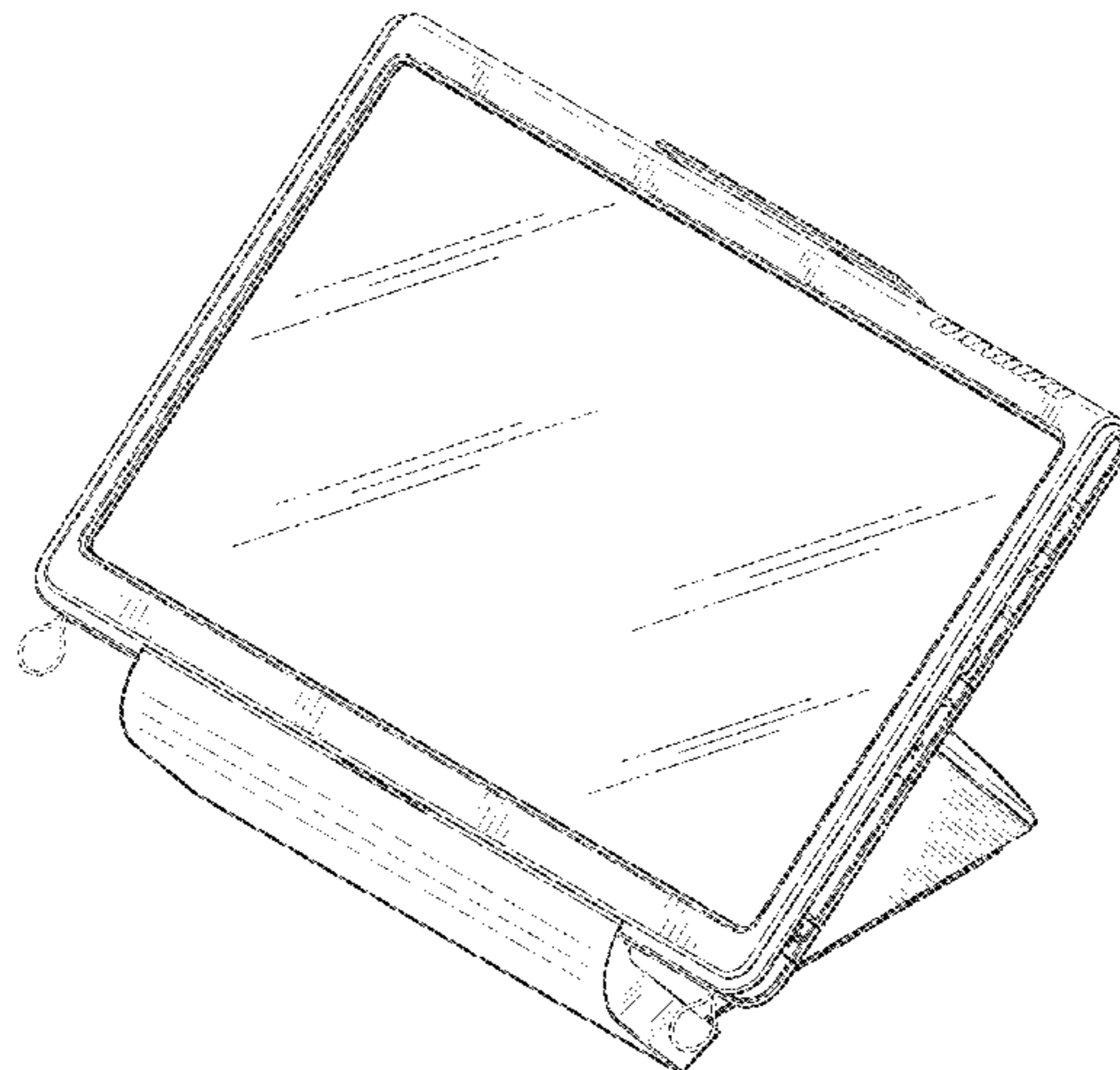
We claim the ornamental design for the computing device holder and dock, as shown and described.

DESCRIPTION

The present application is related to U.S. Design Patent Applications titled “Computing Device Holder” and “Computing Device Dock,” each filed simultaneously herewith. FIG. 1 is a perspective view of the computing device holder and dock according to the invention; FIG. 2 is a front view thereof; FIG. 3 is a back view thereof; FIG. 4 is a bottom view thereof; FIG. 5 is a top view thereof; FIG. 6 is a side view thereof; and, FIG. 7 is a side view thereof.

The broken lines shown in the drawings represent portions of the computing device holder and dock that form no part of the claimed design.

1 Claim, 7 Drawing Sheets



(56)

References Cited

U.S. PATENT DOCUMENTS

D692,008 S * 10/2013 Feldstein et al. D14/447
D696,670 S * 12/2013 Schiller et al. D14/440
D698,791 S * 2/2014 Woodman et al. D14/434
2007/0171239 A1 7/2007 Hunt et al.
2012/0068832 A1* 3/2012 Feldstein et al. 340/12.5
2013/0202269 A1 8/2013 ROssiter et al.
2013/0229772 A1 9/2013 Thomas

OTHER PUBLICATIONS

Acer Iconia Tab dock with remote; found at <<http://www.globalpc.co.nz/computers/Tablets/Tablet-Accessories/Product-Specification-LP20023.aspx>>.

Nexus 7 Official Dock Confirmed to Hit Europe Between Jan. 6th-10th; found at <<http://gadgetian.com/46748/nexus-7-official-dock-set-to-hit-europe-between-jan-6th-10th/>>.

Google Search results for “tablet docking station”, found at <<https://www.google.com/search?q=tablet+docking+station&tbm=isch&tbo=u&source=univ&sa=X&ei=VXVLUuqDHuX07Aa251DwCA&sqi=2&ved=0CGEQsAQ&biw=1920&bih=948&dpr=1>>.

Google Search results for “tablet wraps”, found at <<https://www.google.com/search?q=tablet+wraps&tbm=isch&tbo=u&source=univ&sa=X&ei=xnZLUriKGKKQyAHk4ICwBA&ved=0CHkQsAQ&biw=1920&bih=948&dpr=1>>.

* cited by examiner

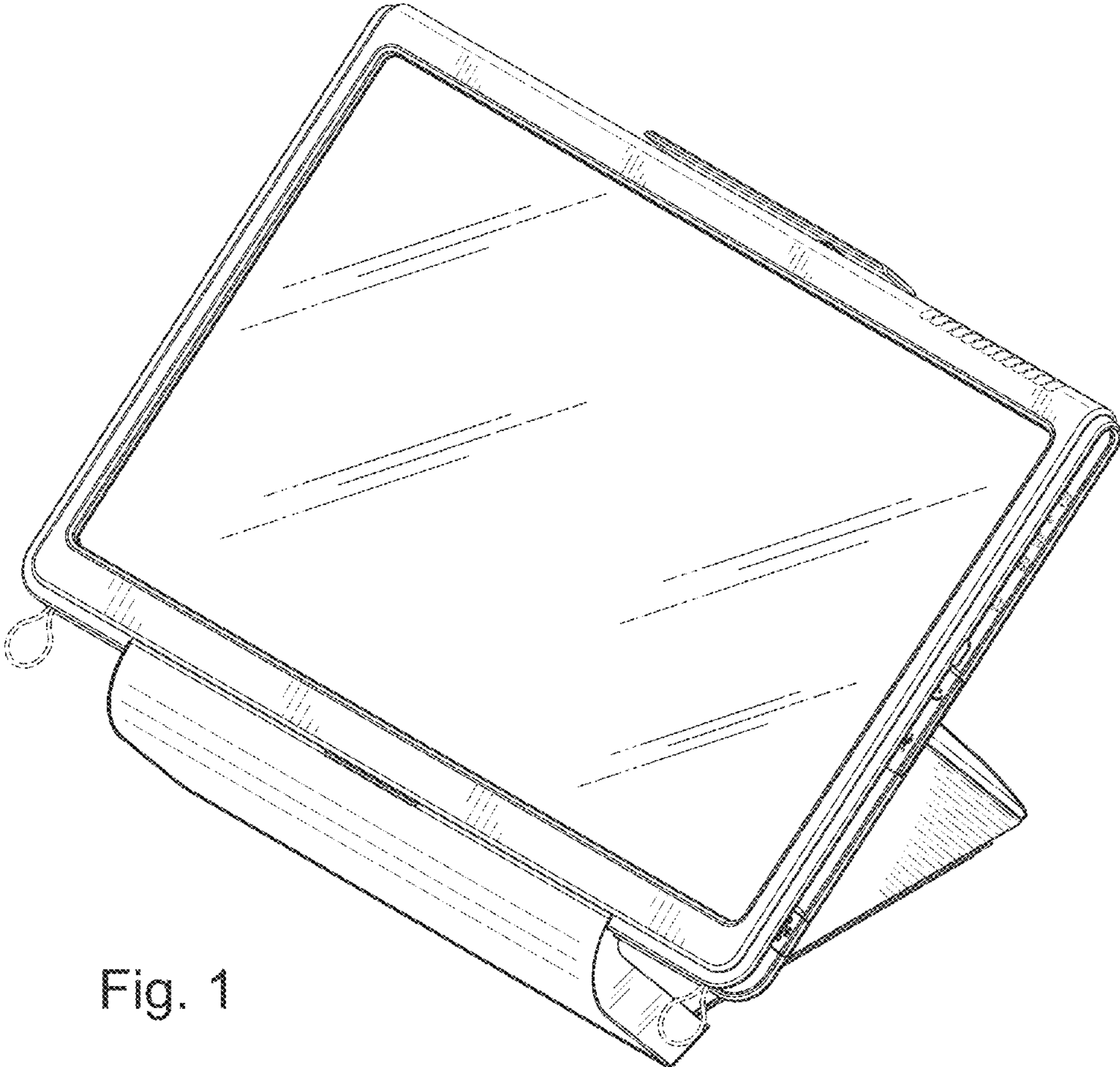


Fig. 1

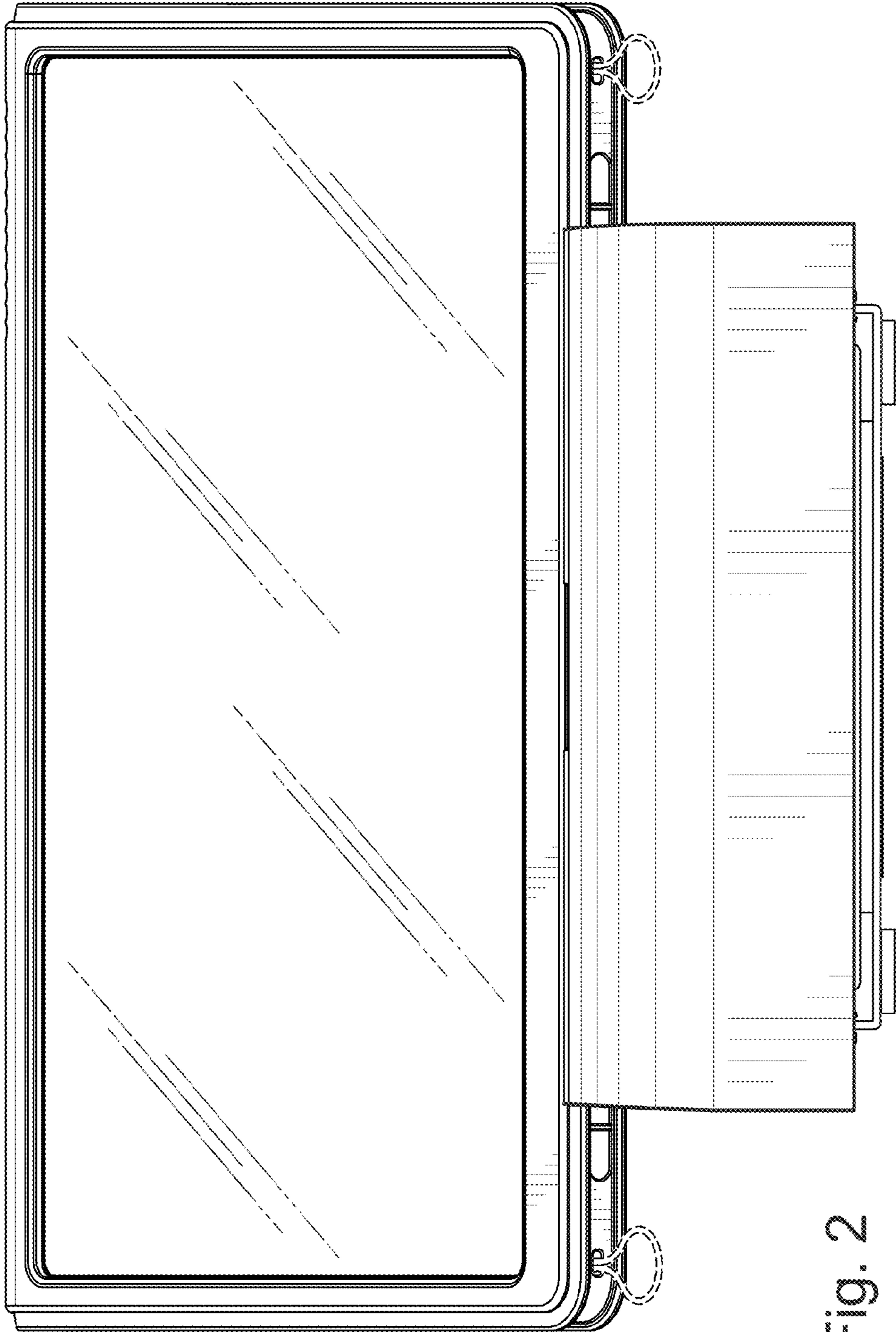


Fig. 2

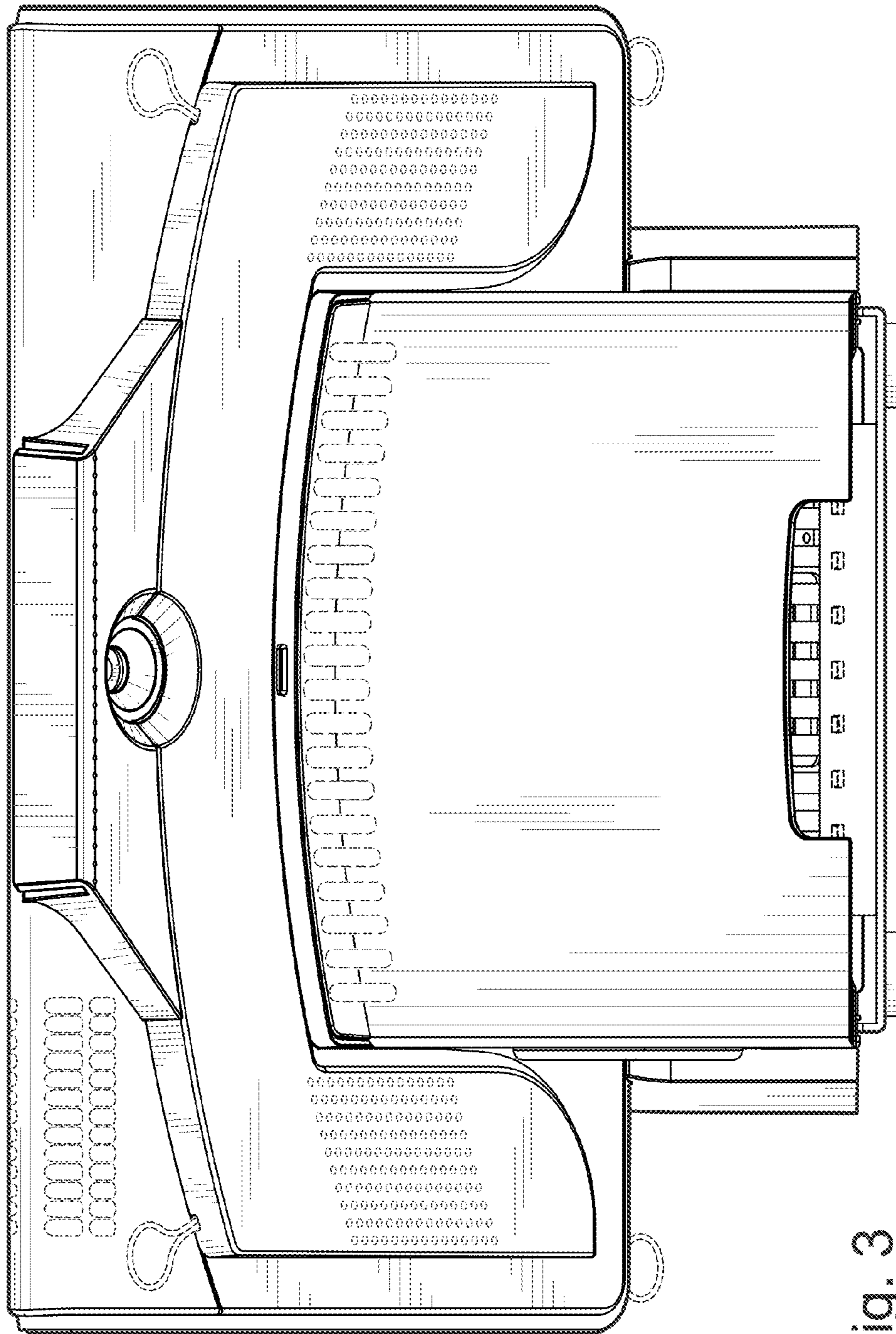


Fig. 3

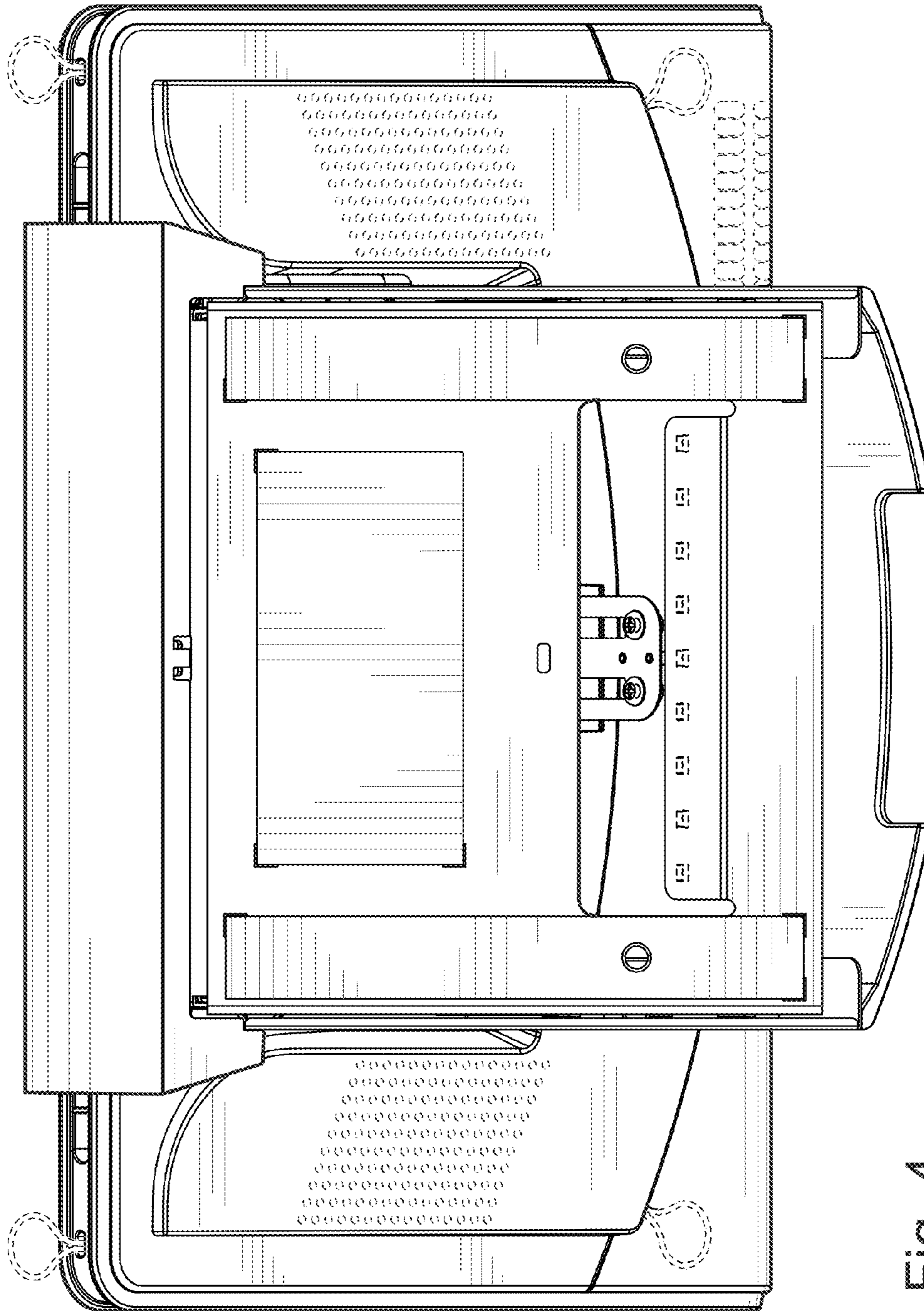


Fig. 4

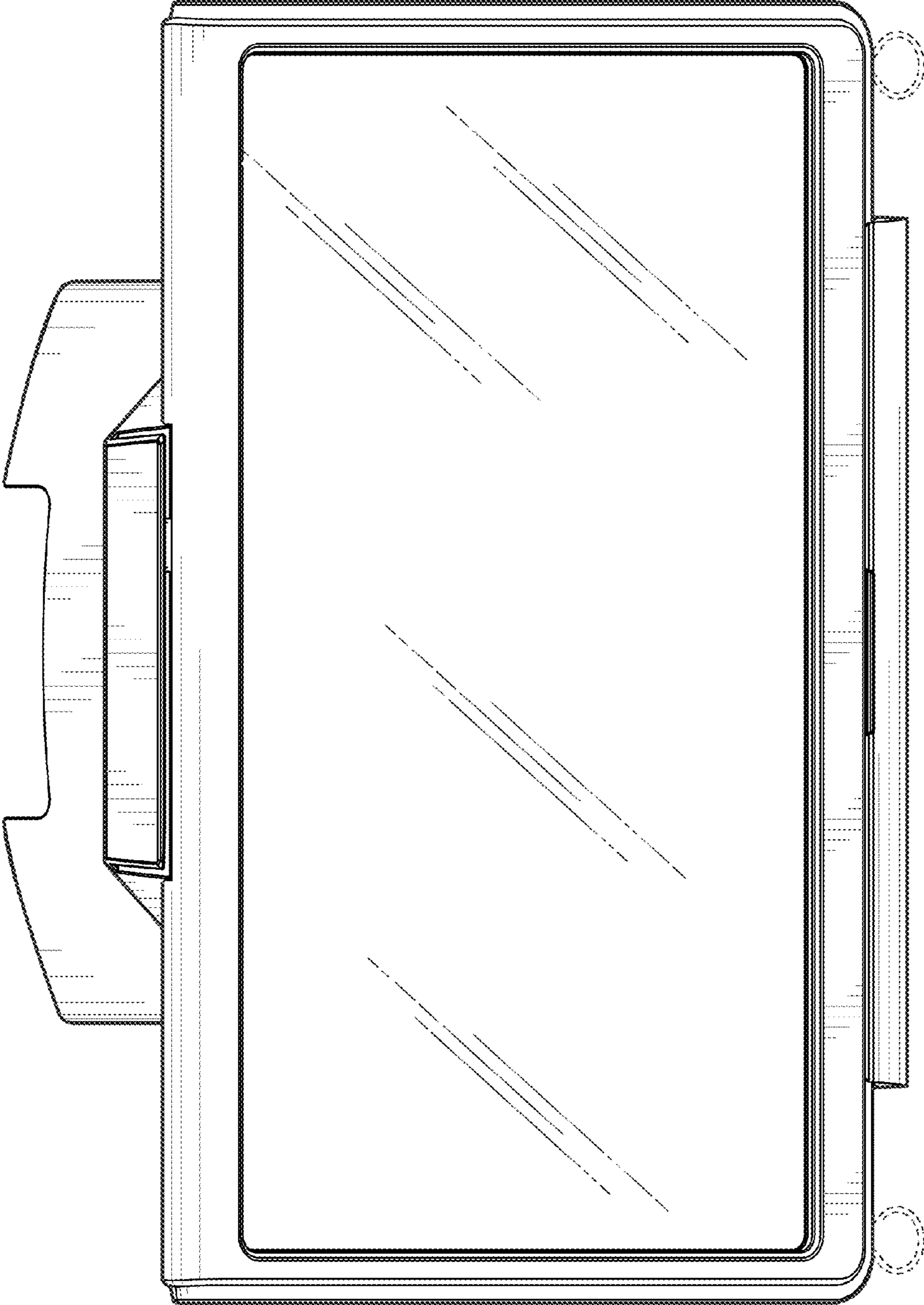


Fig. 5

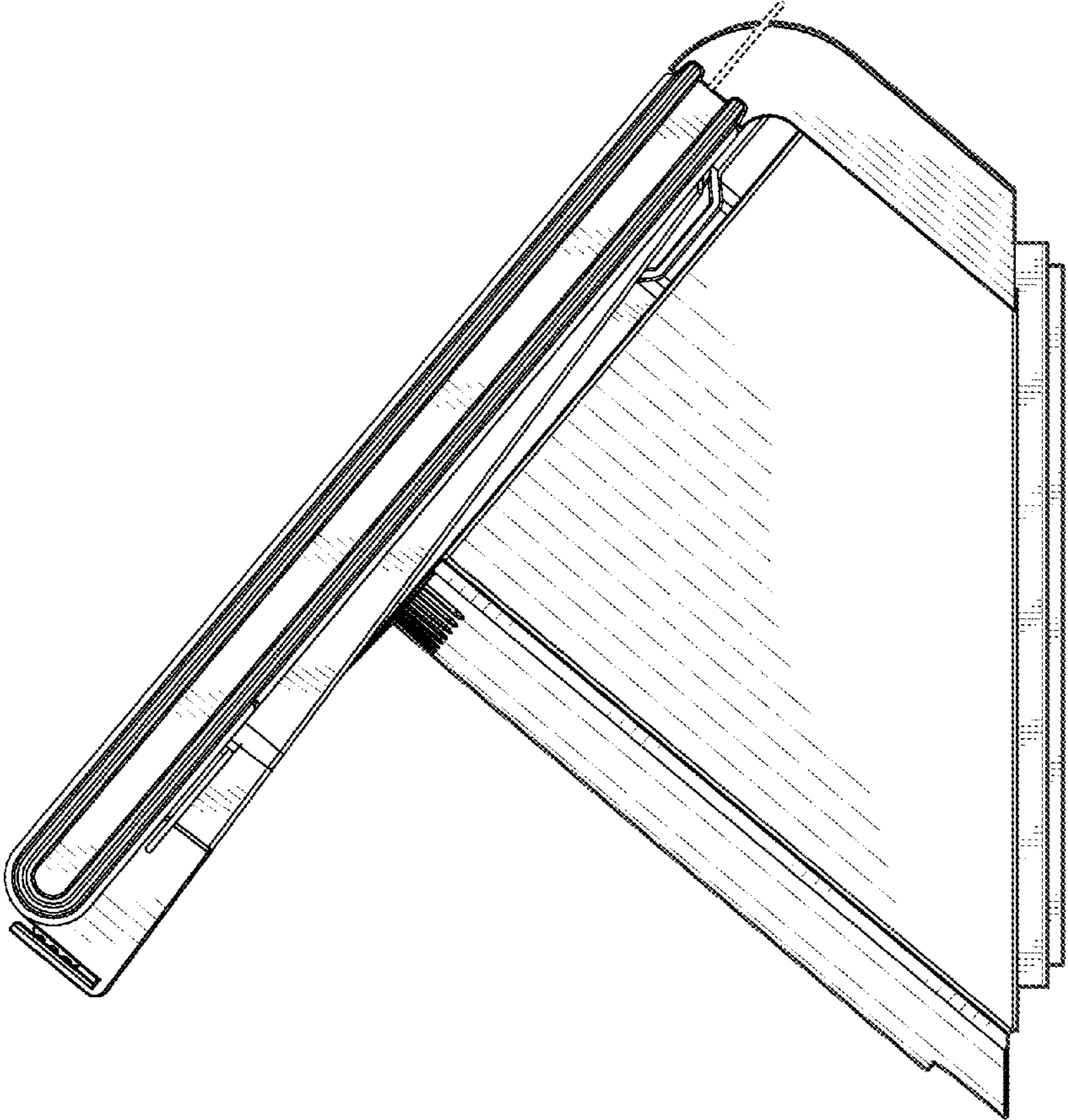


Fig. 6

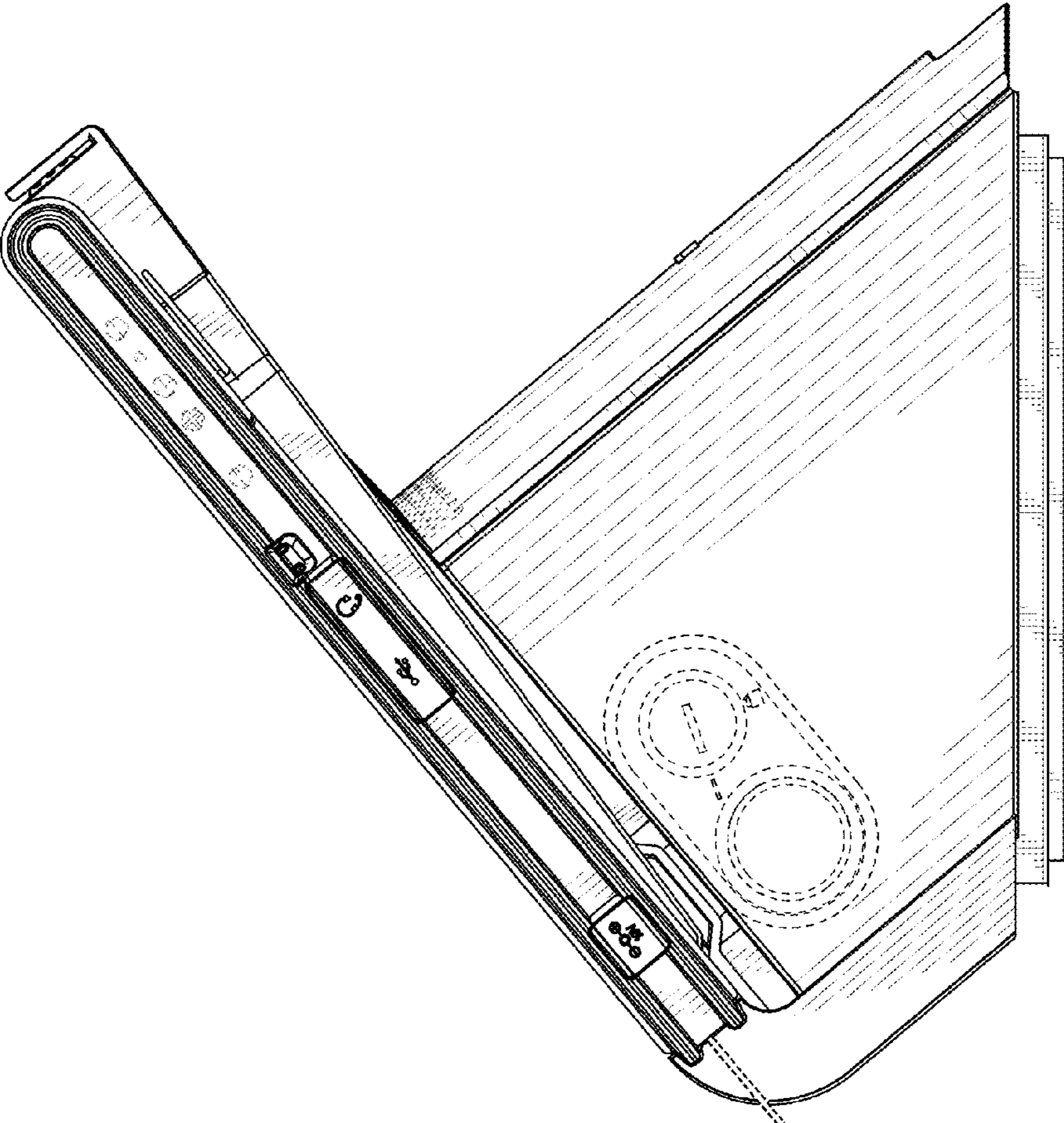


Fig. 7