



US00D707683S

(12) **United States Design Patent**  
**Nam-Su**

(10) **Patent No.:** **US D707,683 S**  
(45) **Date of Patent:** **\*\* Jun. 24, 2014**

(54) **CASE FOR TABLET PC**

(75) Inventor: **Kim Nam-Su**, Seoul (KR)

(73) Assignee: **Samsung Electronics Co., Ltd.**,  
Gyeonggi-do (KR)

(\*\*) Term: **14 Years**

(21) Appl. No.: **29/423,255**

(22) Filed: **May 30, 2012**

(51) **LOC (10) Cl.** ..... **14-02**

(52) **U.S. Cl.**  
USPC ..... **D14/440**

(58) **Field of Classification Search**  
USPC ..... D14/250, 251, 253, 240, 217, 496, 440,  
D14/203.3, 203.4, 203.5, 203.8, 341, 318;  
D3/218, 215, 201, 294, 289, 900;  
220/4.02; 248/309.1; 361/679.56;  
379/426, 433.11, 455; 455/575.1,  
455/575.8; 190/100; 206/305, 320;  
D21/469

See application file for complete search history.

(56) **References Cited**

**U.S. PATENT DOCUMENTS**

2,354,782	A *	8/1944	Stradling et al.	281/16
4,718,550	A *	1/1988	Johnson	206/387.13
6,476,311	B1 *	11/2002	Lee et al.	136/244
D466,356	S *	12/2002	Marsilio	D6/632
D471,008	S *	3/2003	Dubone	D3/247
D478,623	S *	8/2003	Wilburn	D19/26
D479,191	S *	9/2003	Peress et al.	D13/102
6,646,672	B2 *	11/2003	Feierbach	348/14.02
D510,316	S *	10/2005	Hayakawa	D13/102
D546,878	S *	7/2007	Bharma	D19/26
D584,314	S *	1/2009	Davis et al.	D14/440
7,542,052	B2 *	6/2009	Solomon et al.	345/659
D609,226	S *	2/2010	Hofer et al.	D14/248
D641,692	S *	7/2011	Wharram	D13/102

8,016,107	B2 *	9/2011	Emsky	206/320
D648,529	S *	11/2011	Brown	D3/269
D650,736	S *	12/2011	Wharram	D13/102
D652,373	S *	1/2012	Sasada et al.	D13/102
8,132,670	B1 *	3/2012	Chen	206/320
D659,139	S *	5/2012	Gengler	D14/392
D663,261	S *	7/2012	Cheung	D13/102
D663,262	S *	7/2012	Cheung	D13/102
8,245,843	B1 *	8/2012	Wu	206/320
D667,370	S *	9/2012	Arletti et al.	D13/102
D671,885	S *	12/2012	Steinau	D13/102
D674,801	S *	1/2013	Wharram	D14/440
2010/0289390	A1 *	11/2010	Kenney	312/223.1
2012/0043231	A1 *	2/2012	Perrier et al.	206/216

\* cited by examiner

*Primary Examiner* — Cynthia Underwood

(74) *Attorney, Agent, or Firm* — Harness, Dickey & Pierce, P.L.C.

(57) **CLAIM**

I claim the ornamental design for a case for tablet PC, as shown.

**DESCRIPTION**

FIG. 1 is a front/right-side/top perspective view of a case for tablet PC showing my new design;  
 FIG. 2 is a front elevational view thereof;  
 FIG. 3 is a rear elevational view thereof;  
 FIG. 4 is a left-side elevational view thereof;  
 FIG. 5 is a right-side elevational view thereof;  
 FIG. 6 is a top elevational view thereof;  
 FIG. 7 is a bottom elevational view thereof;  
 FIG. 8 is a rear perspective view thereof;  
 FIG. 9 is a rear perspective view in an alternate configuration of use; and,  
 FIG. 10 is a rear perspective view in an alternate configuration of use in which a panel such as a credit card is placed.  
 The broken lines are included for illustrative purposes only and form no part of the claim.

**1 Claim, 8 Drawing Sheets**

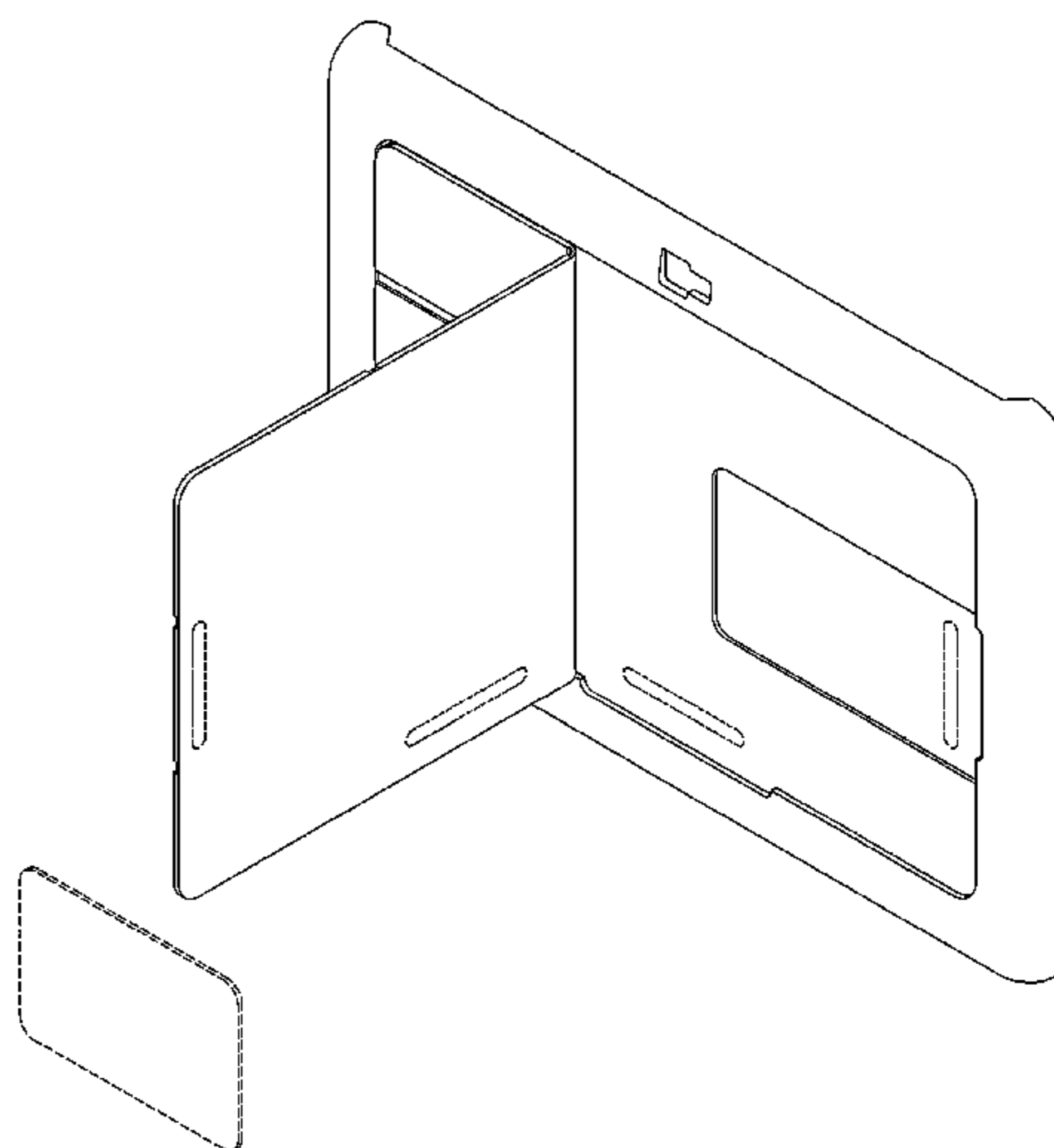
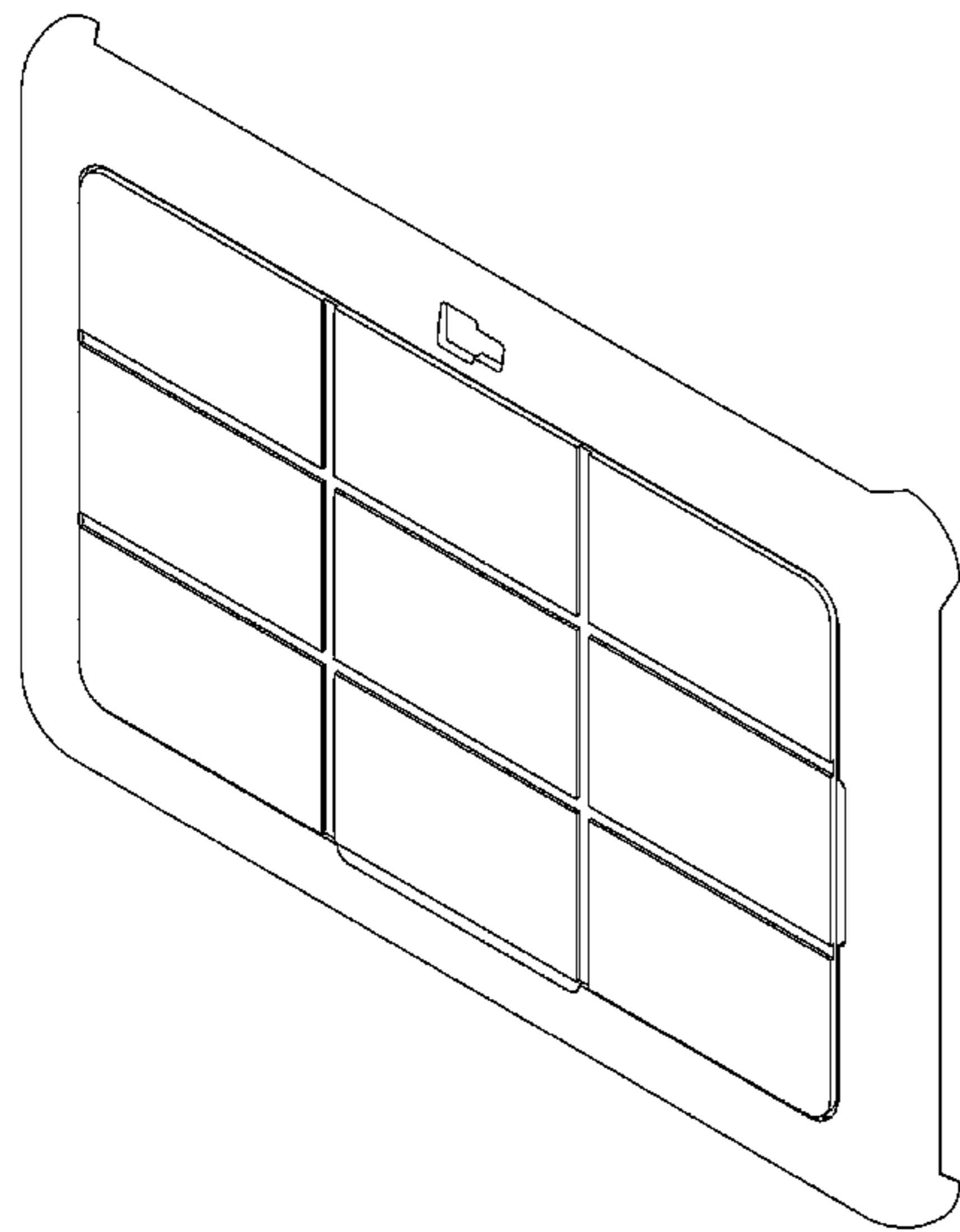


FIG. 1

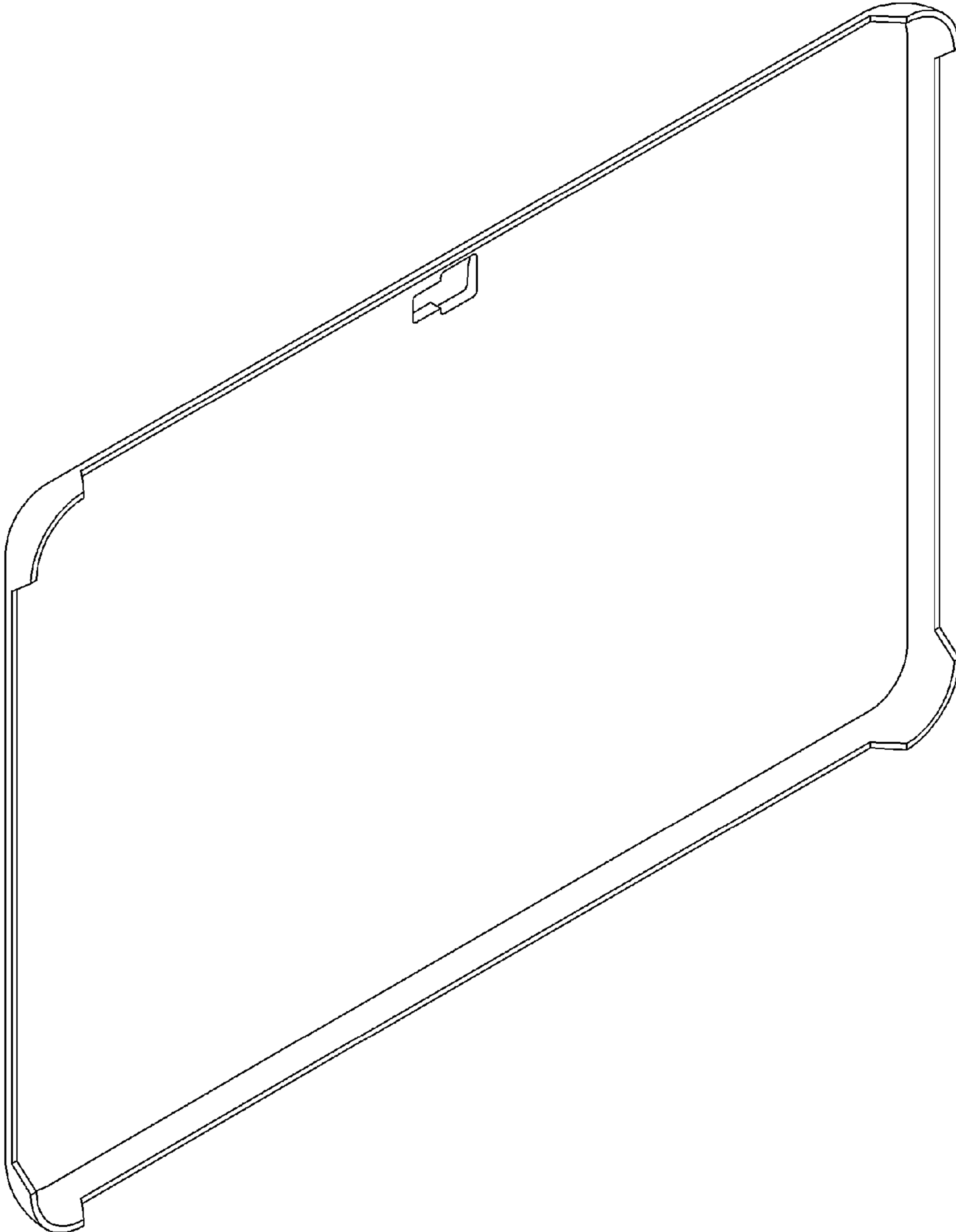


FIG. 2

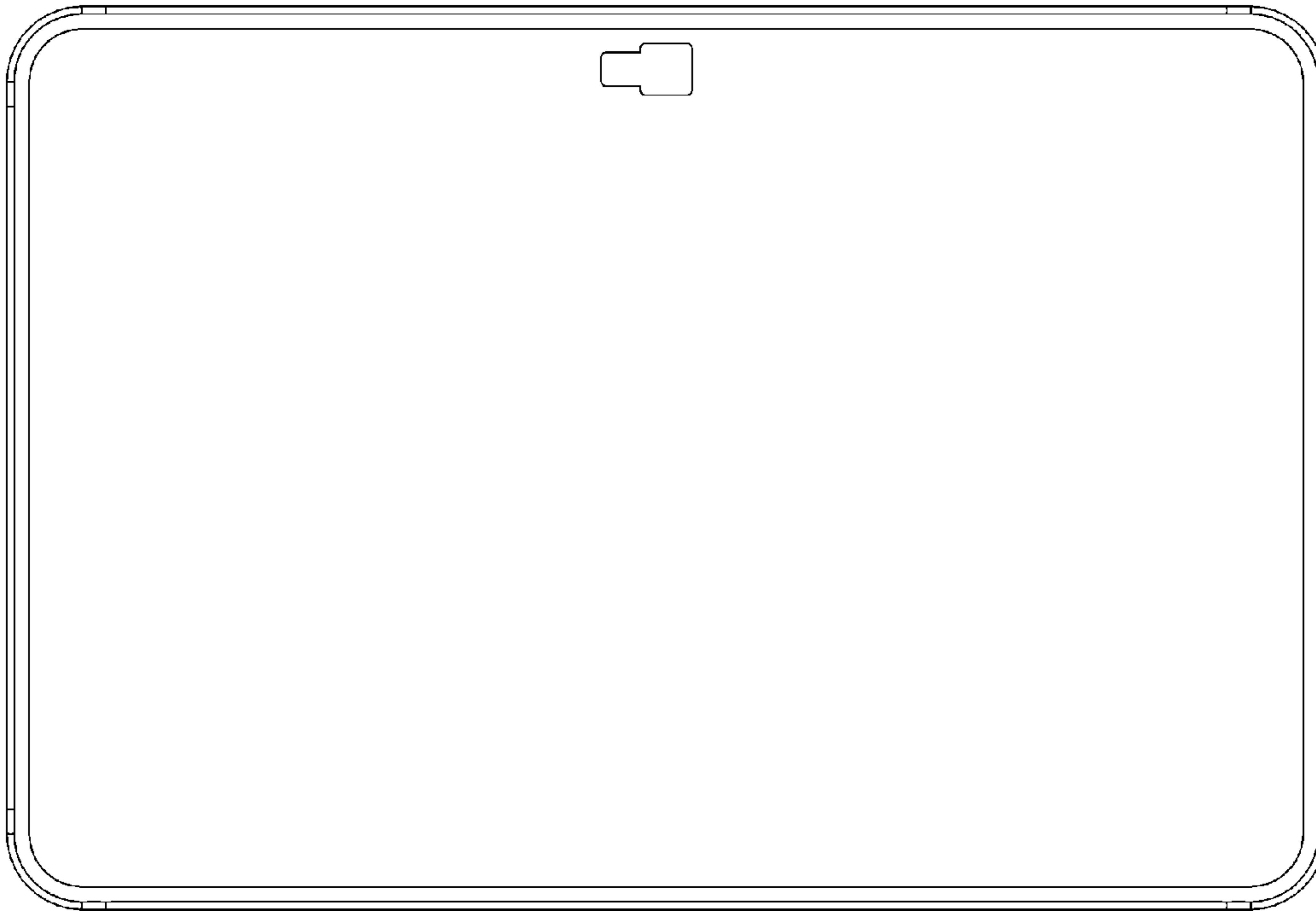
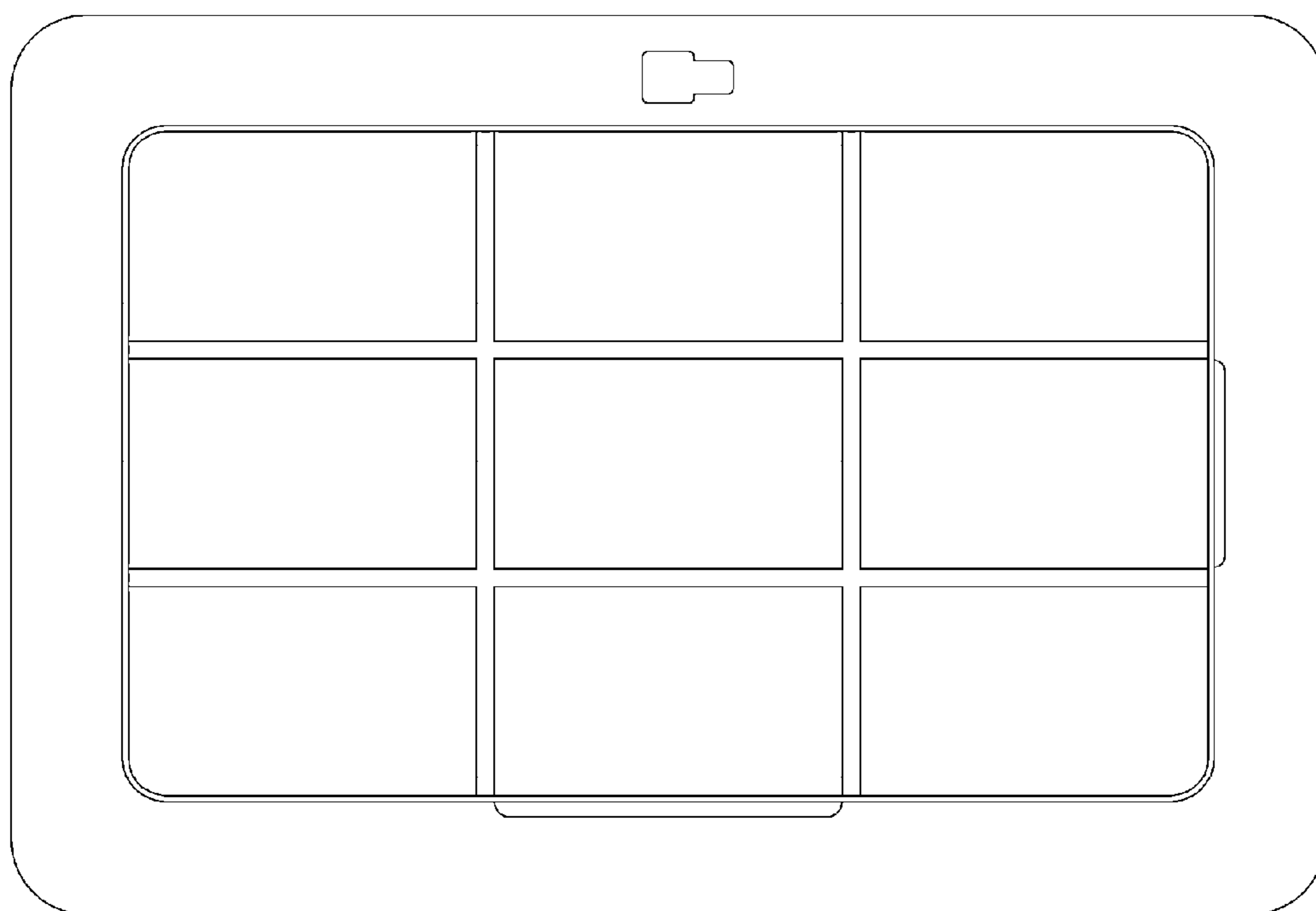
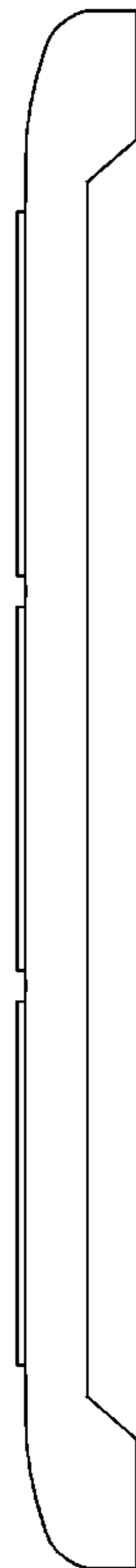


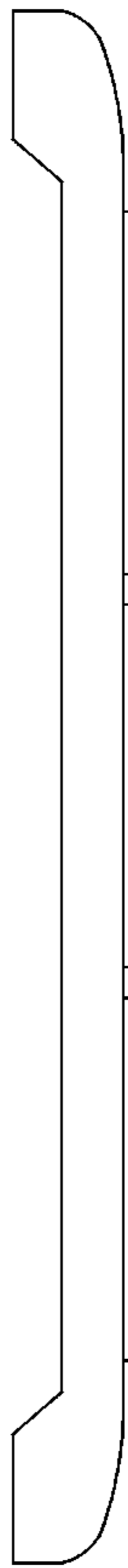
FIG. 3



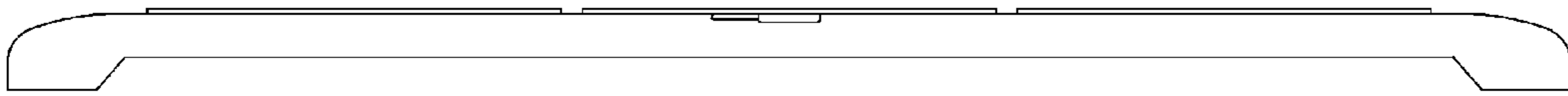
**FIG. 4**



**FIG. 5**



**FIG. 6**



**FIG. 7**

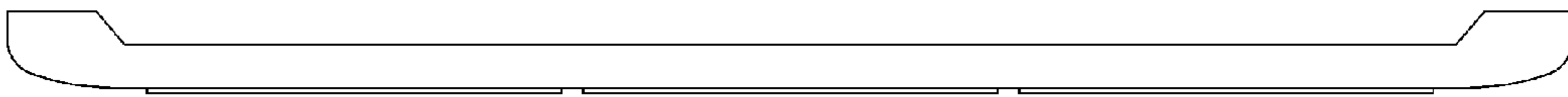


FIG. 8

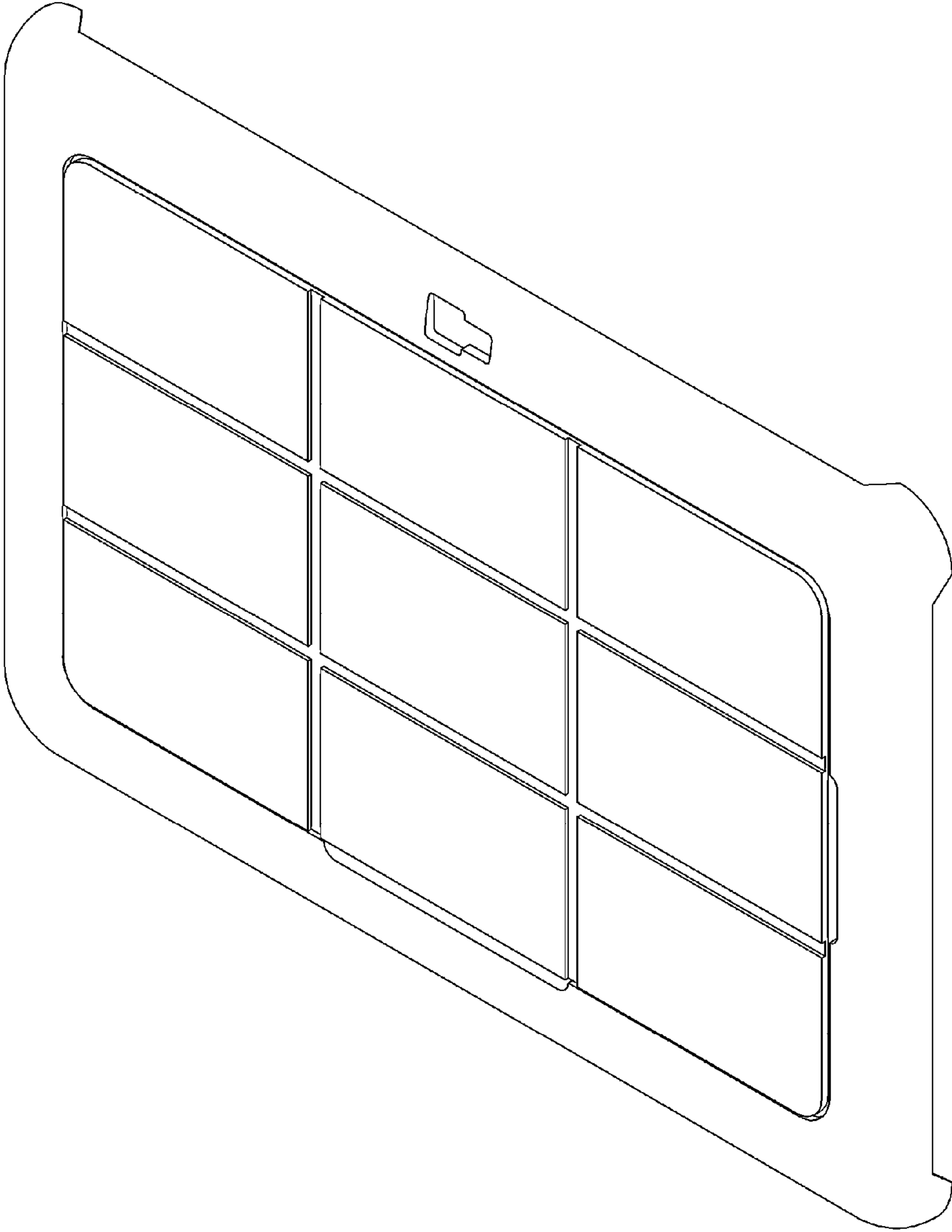


FIG. 9

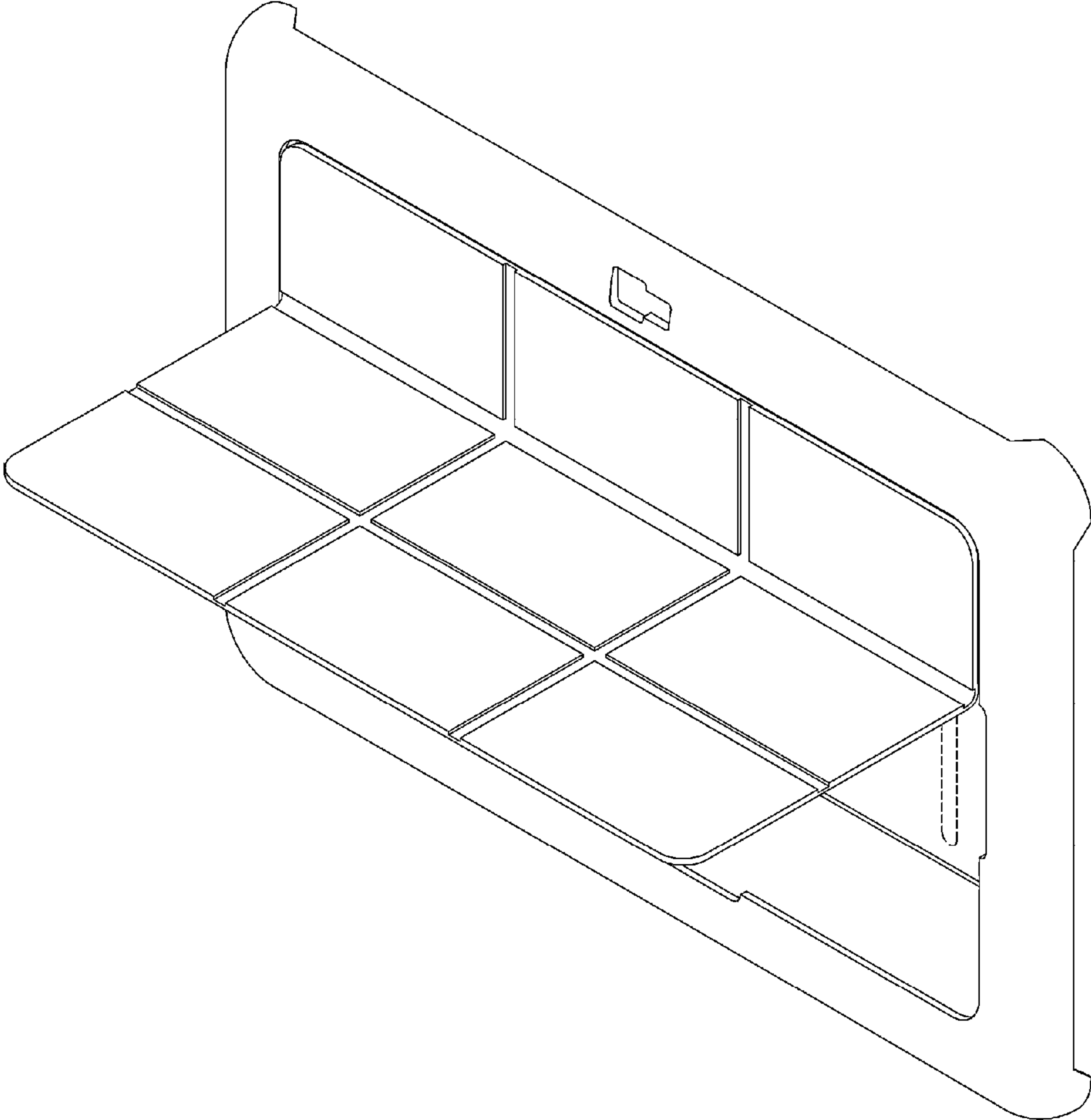




FIG. 10

