



US00D707681S

(12) **United States Design Patent**
Akana et al.

(10) **Patent No.:** **US D707,681 S**
(45) **Date of Patent:** **** Jun. 24, 2014**

(54) **ADAPTER**

- (71) Applicant: **Apple Inc.**, Cupertino, CA (US)
- (72) Inventors: **Jody Akana**, San Francisco, CA (US);
Bartley K. Andre, Menlo Park, CA (US);
Jeremy Bataillou, San Francisco, CA (US);
Daniel J. Coster, San Francisco, CA (US);
Daniele De Iuliis, San Francisco, CA (US);
M. Evans Hankey, San Francisco, CA (US);
Julian Hoenig, San Francisco, CA (US);
Richard P. Howarth, San Francisco, CA (US);
Jonathan P. Ive, San Francisco, CA (US);
Duncan Robert Kerr, San Francisco, CA (US);
Shin Nishibori, Kailua, HI (US);
Matthew Dean Rohrbach, San Francisco, CA (US);
Peter Russell-Clarke, San Francisco, CA (US);
Christopher J. Stringer, Woodside, CA (US);
Eugene Antony Whang, San Francisco, CA (US);
Rico Zörkendörfer, San Francisco, CA (US)
- (73) Assignee: **Apple Inc.**, Cupertino, CA (US)
- (**) Term: **14 Years**
- (21) Appl. No.: **29/456,487**
- (22) Filed: **May 31, 2013**

Related U.S. Application Data

- (63) Continuation of application No. 29/431,556, filed on Sep. 7, 2012, now Pat. No. Des. 684,976.
- (51) **LOC (10) Cl.** **14-02**
- (52) **U.S. Cl.**
USPC **D14/433**
- (58) **Field of Classification Search**
USPC D14/356–358, 383–385, 420, 426, 427,
D14/432–439, 447, 453, 454, 217, 253,
D14/299; D13/107, 108, 133, 146, 147,
D13/152, 154, 156, 158, 162, 162.1, 168,
D13/173, 177; 439/131, 172–174, 373, 378;
361/679.08, 679.56, 679.21, 679.4
See application file for complete search history.

(56) **References Cited**

U.S. PATENT DOCUMENTS

D304,028 S	10/1989	Matsuzaki
D369,157 S	4/1996	Ohmori et al.
D399,047 S	10/1998	Yoshida et al.
6,137,710 A	10/2000	Iwasaki et al.

(Continued)

FOREIGN PATENT DOCUMENTS

WO	WO 2006/074348 A1	7/2006
WO	WO 2011/150403 A1	12/2011

(Continued)

OTHER PUBLICATIONS

Co-pending U.S. Appl. No. 29/441,757, filed Jan. 9, 2013 (Not Published).

(Continued)

Primary Examiner — Austin Murphy

(74) *Attorney, Agent, or Firm* — Sterne, Kessler, Goldstein & Fox P.L.L.C.

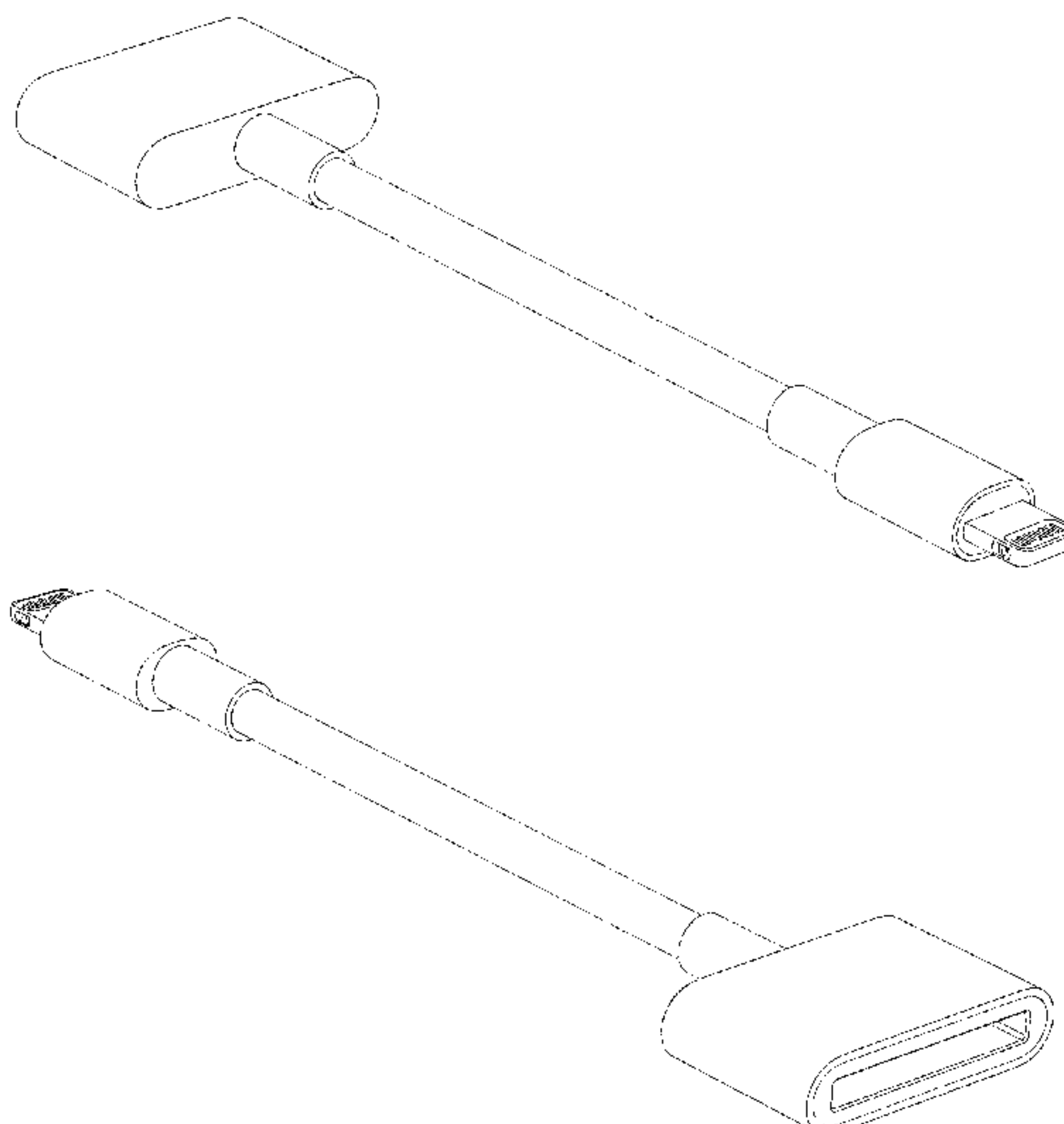
(57) **CLAIM**

The ornamental design for an adapter, as shown and described.

DESCRIPTION

FIG. 1 is a top front perspective view of an adapter showing our new design;
 FIG. 2 is a bottom rear perspective view thereof;
 FIG. 3 is a front view thereof, the rear view being a mirror image thereof;
 FIG. 4 is a side view thereof, the other side view being a mirror image thereof;
 FIG. 5 is a bottom view thereof; and,
 FIG. 6 is a top view thereof.
 The shade lines in the Figures show contour and not surface ornamentation.

1 Claim, 5 Drawing Sheets



(56)

References Cited

OTHER PUBLICATIONS

U.S. PATENT DOCUMENTS

D452,245	S	12/2001	Wallace et al.	
D452,246	S	12/2001	Wallace et al.	
6,483,038	B2	11/2002	Lee et al.	
D487,747	S	3/2004	Yu et al.	
D490,796	S	6/2004	Allen	
D522,463	S *	6/2006	Novotney et al.	D13/154
D525,977	S	8/2006	Yao	
7,094,089	B2	8/2006	Andre et al.	
D531,127	S	10/2006	Zhong et al.	
D534,545	S	1/2007	Leija et al.	
D537,036	S *	2/2007	Chen	D14/433
D552,099	S	10/2007	Nishizawa et al.	
D552,604	S *	10/2007	Andre et al.	D14/242
7,341,472	B2	3/2008	Chao et al.	
7,354,312	B2	4/2008	Chuang	
D574,365	S *	8/2008	Andre et al.	D14/217
D577,008	S	9/2008	Andre et al.	
D578,991	S *	10/2008	Donovan et al.	D14/155
D588,545	S *	3/2009	Andre et al.	D13/154
D594,418	S	6/2009	Fujino et al.	
D599,740	S	9/2009	Guccione et al.	
D599,800	S *	9/2009	Klein et al.	D14/433
D600,652	S *	9/2009	Hong et al.	D13/154
D604,725	S *	11/2009	Chen	D14/240
D605,650	S *	12/2009	Ribeiro	D14/433
D607,886	S	1/2010	Bolotin et al.	
D617,776	S	6/2010	Hightower	
D618,226	S *	6/2010	Tong et al.	D14/240
D618,240	S	6/2010	Larmour et al.	
D621,785	S	8/2010	Nickol	
D624,548	S *	9/2010	Yamamoto	D14/433
D628,151	S *	11/2010	Wegener et al.	D13/108
D628,537	S *	12/2010	Nagata et al.	D13/147
D631,883	S *	2/2011	Maier	D14/435.1
D635,142	S *	3/2011	Borislow	D14/435.1
D636,337	S *	4/2011	Smith et al.	D13/147
D637,193	S	5/2011	Andre et al.	
D643,040	S	8/2011	Sedio et al.	
D648,726	S *	11/2011	Behar et al.	D14/435.1
D655,296	S	3/2012	Andre et al.	
D656,147	S	3/2012	Schlossstein	
D658,665	S	5/2012	Akana et al.	
D659,150	S	5/2012	Andre	
D665,754	S *	8/2012	Cobbett et al.	D13/147
D680,076	S *	4/2013	McManigal	D13/147
D680,539	S *	4/2013	Kim	D14/433
D682,835	S *	5/2013	Daniel	D14/433
D683,703	S *	6/2013	Akana et al.	D13/147
D684,539	S	6/2013	Akana et al.	
D684,976	S *	6/2013	Akana et al.	D14/433
8,454,388	B2 *	6/2013	Song	439/607.36
2002/0170972	A1	11/2002	Kim	
2003/0225954	A1 *	12/2003	Wu	710/305
2005/0109841	A1 *	5/2005	Ryan et al.	235/380
2005/0202727	A1 *	9/2005	Andre et al.	439/660
2007/0123106	A1 *	5/2007	Zhang	439/610
2007/0229025	A1 *	10/2007	Tsai et al.	320/111
2007/0293079	A1 *	12/2007	Chao et al.	439/352
2011/0199729	A1 *	8/2011	Hsieh	361/679.33
2012/0252256	A1	10/2012	Zhu et al.	
2013/0084760	A1	4/2013	Siahaan et al.	
2013/0175326	A1	7/2013	Jol et al.	

FOREIGN PATENT DOCUMENTS

WO	WO 2011/160138	A2	12/2011
WO	WO 2011/163256	A1	12/2011
WO	WO 2011/163260	A1	12/2011
WO	WO 2012/103383	A2	8/2012
WO	WO 2013/817041		6/2013

Co-pending U.S. Appl. No. 29/455,174, filed May 17, 2013 (Not Published).

Co-pending U.S. Appl. No. 29/456,392, filed May 30, 2013 (Not Published).

Co-pending U.S. Appl. No. 29/455,173, filed May 17, 2013 (Not Published).

Co-pending U.S. Appl. No. 29/456,394, filed May 30, 2013 (Not Published).

Apple iPad Camera Connection Kit, <http://store.apple.com/us/product/MC531ZM/A/apple-ipad-camera-connection-kit!fnode=3a&fs=m.ipadCompatibility%3Dipad2>, accessed on Aug. 28, 2013, 3 pages.

Apple 30-pin Digital AV Adapter, <http://store.apple.com/us/product/MD098ZM/A/apple-digital-av-adapter!fnode=3a&fs=m.ipadCompatibility%3Dipad2>, accessed on Aug. 28, 2013, 3 pages.

Apple 30-pin to VGA Adapter, <http://store.apple.com/us/product/MC552ZM/B/apple-vga-adapter!fnode=3a&fs=m.ipadCompatibility%3Dipad2>, accessed on Aug. 28, 2013, 4 pages.

U.S. Appl. No. 29/424,270, filed Jun. 10, 2012 (Not Published).

U.S. Appl. No. 29/431,841, filed Sep. 11, 2012 (Not Published).

U.S. Appl. No. 29/431,876, filed Sep. 11, 2012 (Not Published).

U.S. Appl. No. 29/432,034, filed Sep. 12, 2012 (Not Published).

U.S. Appl. No. 13/607,366, filed Sep. 7, 2012 (Not Published).

U.S. Appl. No. 13/607,404, filed Sep. 7, 2012 (Not Published).

U.S. Appl. No. 13/607,426, filed Sep. 7, 2012 (Not Published).

U.S. Appl. No. 13/607,430, filed Sep. 7, 2012 (Not Published).

U.S. Appl. No. 13/607,443, filed Sep. 7, 2012 (Not Published).

U.S. Appl. No. 13/607,446, filed Sep. 7, 2012 (Not Published).

U.S. Appl. No. 13/607,454, filed Sep. 7, 2012 (Not Published).

U.S. Appl. No. 13/607,462, filed Sep. 7, 2012 (Not Published).

U.S. Appl. No. 13/607,473, filed Sep. 7, 2012 (Not Published).

U.S. Appl. No. 13/607,478, filed Sep. 7, 2012 (Not Published).

U.S. Appl. No. 13/607,497, filed Sep. 7, 2012 (Not Published).

U.S. Appl. No. 13/607,502, filed Sep. 7, 2012 (Not Published).

U.S. Appl. No. 13/607,519, filed Sep. 7, 2012 (Not Published).

U.S. Appl. No. 13/607,528, filed Sep. 7, 2012 (Not Published).

U.S. Appl. No. 13/607,550, filed Sep. 7, 2012 (Not Published).

U.S. Appl. No. 13/607,553, filed Sep. 7, 2012 (Not Published).

U.S. Appl. No. 13/607,554, filed Sep. 7, 2012 (Not Published).

U.S. Appl. No. 13/607,563, filed Sep. 7, 2012 (Not Published).

U.S. Appl. No. 13/607,566, filed Sep. 7, 2012 (Not Published).

U.S. Appl. No. 13/607,598, filed Sep. 7, 2012 (Not Published).

U.S. Appl. No. 13/607,600, filed Sep. 7, 2012 (Not Published).

U.S. Appl. No. 13/610,326, filed Sep. 11, 2012 (Not Published).

U.S. Appl. No. 13/610,631, filed Sep. 11, 2012 (Not Published).

U.S. Appl. No. 13/610,750, filed Sep. 11, 2012 (Not Published).

U.S. Appl. No. 13/610,832, filed Sep. 11, 2012 (Not Published).

U.S. Appl. No. 61/668,074, filed Jul. 5, 2012 (Not Published).

U.S. Appl. No. 61/693,228, filed Aug. 24, 2012 (Not Published).

U.S. Appl. No. 61/693,232, filed Aug. 24, 2012 (Not Published).

U.S. Appl. No. 61/698,496, filed Sep. 7, 2012 (Not Published).

U.S. Appl. No. 61/698,538, filed Sep. 7, 2012 (Not Published).

U.S. Appl. No. 61/699,818, filed Sep. 11, 2012 (Not Published).

U.S. Appl. No. 61/699,838, filed Sep. 11, 2012 (Not Published).

International Patent Application No. PCT/CN2012/081245, filed Sep. 11, 2012 (Not Published).

International Patent Application No. PCT/CN2012/081257, filed Sep. 11, 2012 (Not Published).

Co-pending U.S. Appl. No. 29/449,244, filed Mar. 14, 2013 (Not Published).

U.S. Appl. No. 29/441,757, filed Jan. 9, 2013 (Not Published).

U.S. Appl. No. 29/455,174, filed May 17, 2013 (Not Published).

U.S. Appl. No. 29/456,392, filed May 30, 2013 (Not Published).

U.S. Appl. No. 29/456,487, filed May 31, 2013 (Not Published).

U.S. Appl. No. 29/456,394, filed May 30, 2013 (Not Published).

* cited by examiner

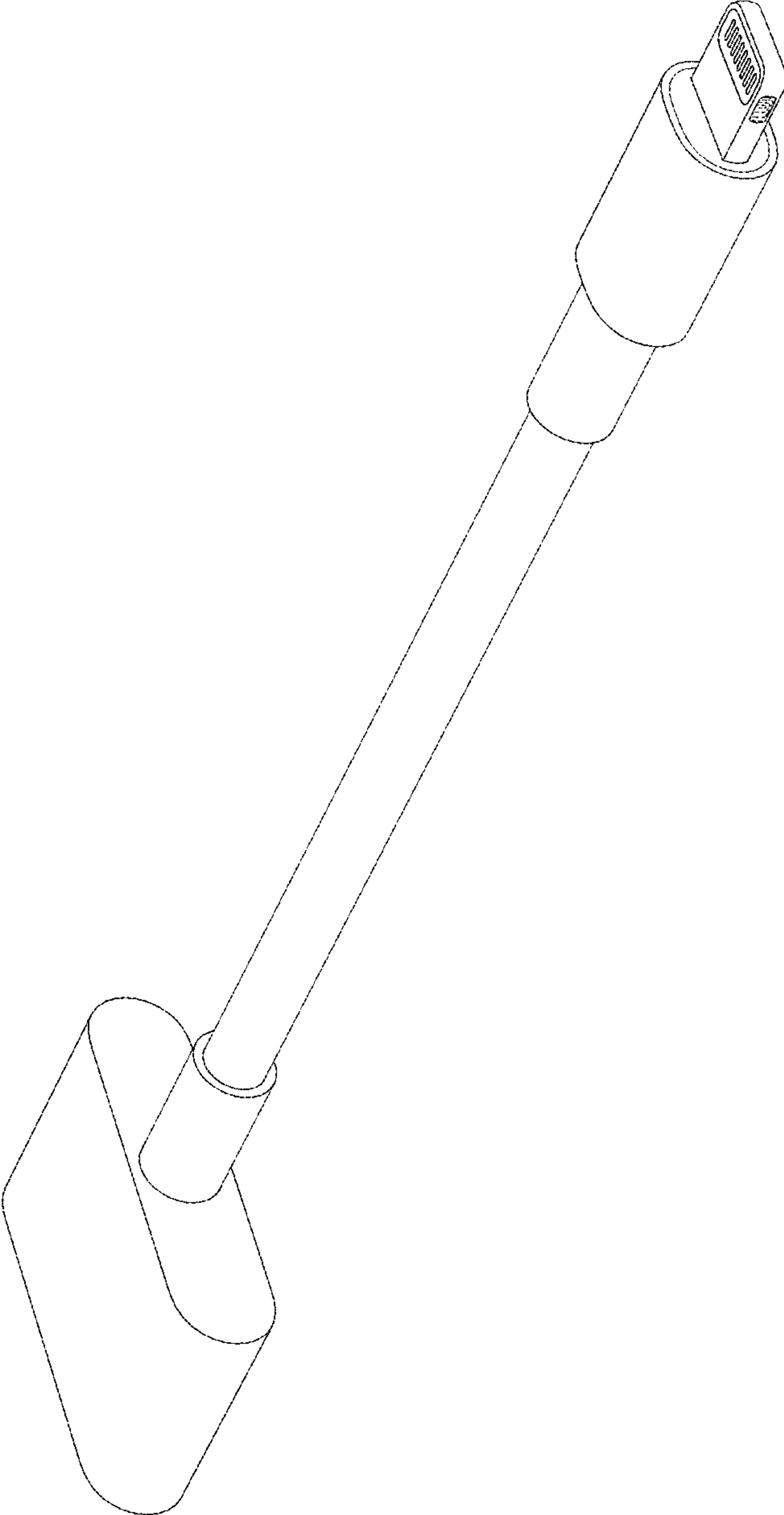


FIG. 1

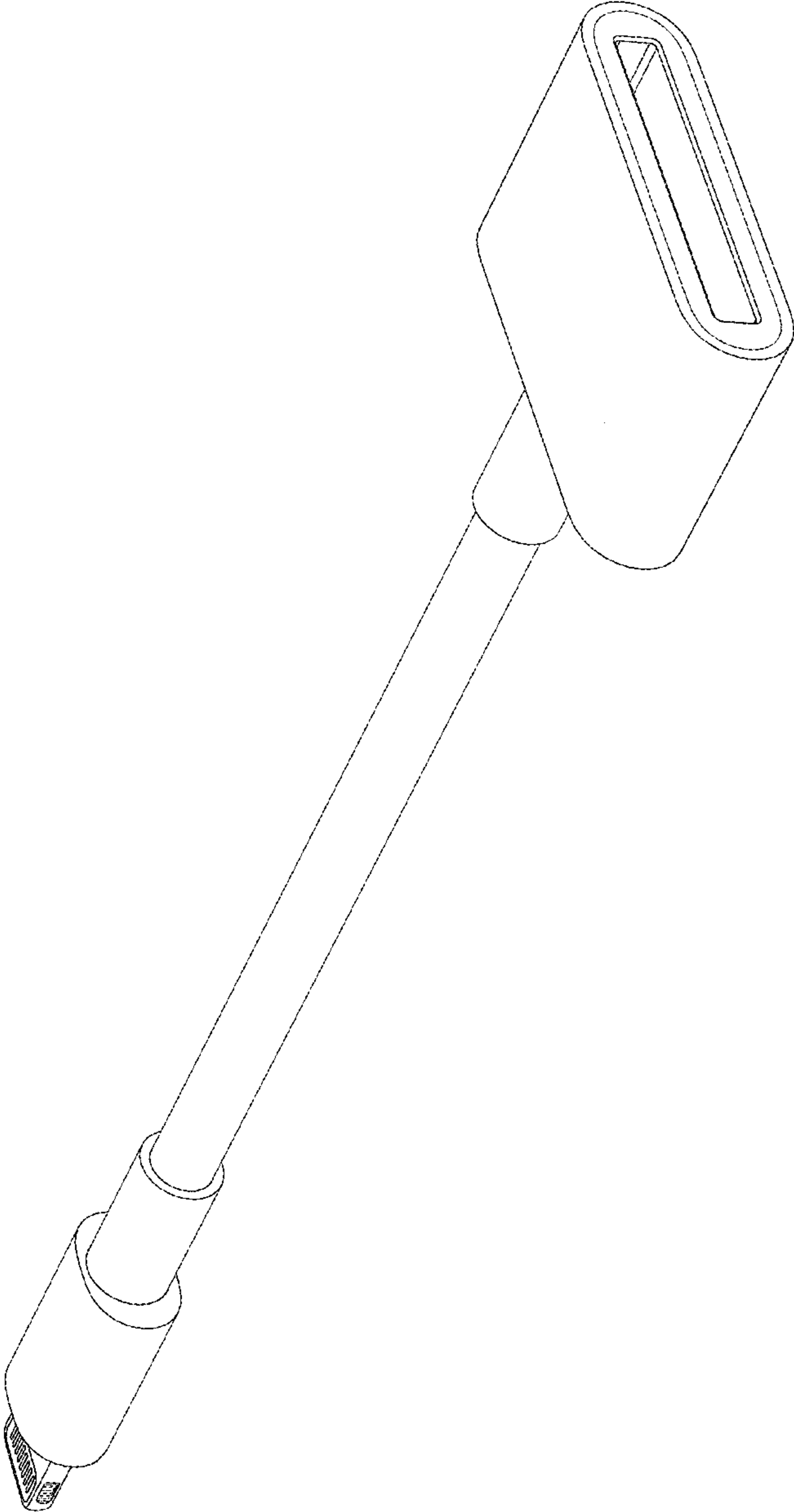


FIG. 2

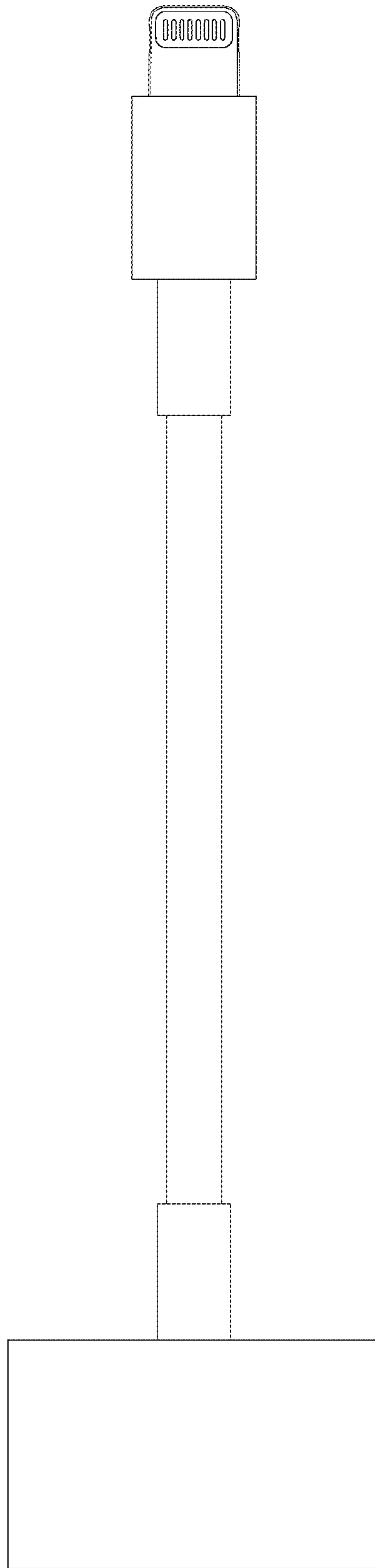


FIG. 3

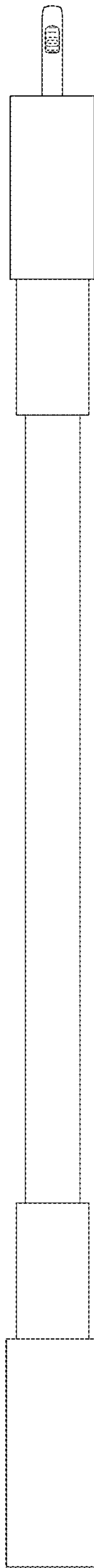


FIG. 4

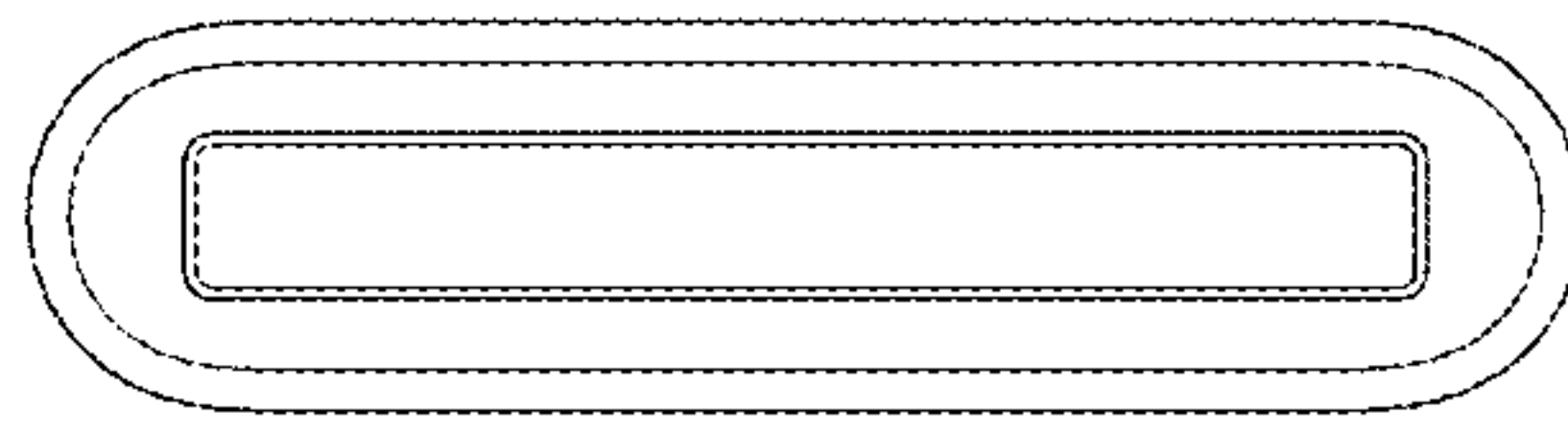


FIG. 5

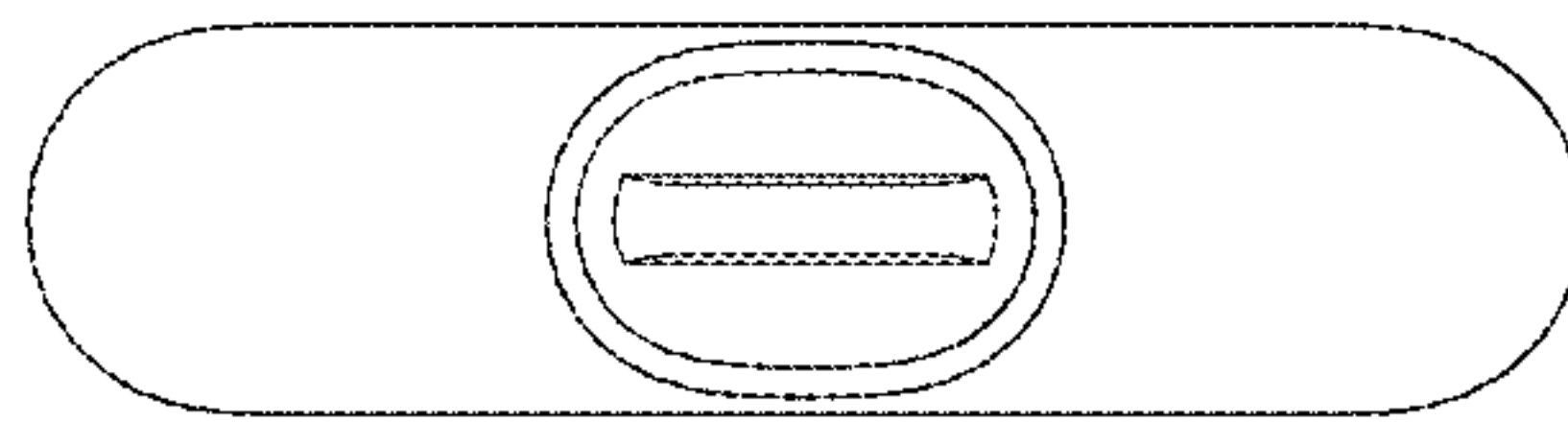


FIG. 6

UNITED STATES PATENT AND TRADEMARK OFFICE
CERTIFICATE OF CORRECTION

PATENT NO. : D707,681 S
APPLICATION NO. : 29/456487
DATED : June 24, 2014
INVENTOR(S) : Akana et al.

Page 1 of 7

It is certified that error appears in the above-identified patent and that said Letters Patent is hereby corrected as shown below:

The title page showing the illustrative figure should be deleted to be replaced with the attached title page.

On the title page, item [75], line 2, delete "Menlo Park, CA" and insert --Palo Alto, CA--.

On the title page, in the Description, FIG. 5, after "and" please delete ",".

In the Drawings

Figs. 1-6 should be replaced with the corrected Figs. 1-6 as shown on the attached pages.

Signed and Sealed this
Seventh Day of October, 2014



Michelle K. Lee
Deputy Director of the United States Patent and Trademark Office

(12) **United States Design Patent**
Akana et al.

(10) Patent No.: **US D707,681 S**
 (45) Date of Patent: **** Jun. 24, 2014**

(54) **ADAPTER**

(71) Applicant: **Apple Inc.**, Cupertino, CA (US)
 (72) Inventors: **Jody Akana**, San Francisco, CA (US);
Bartley K. Andre, Menlo Park, CA (US);
Jeremy Bataillou, San Francisco, CA (US);
Daniel J. Coster, San Francisco, CA (US);
Daniele De Iullis, San Francisco, CA (US);
M. Evans Hankey, San Francisco, CA (US);
Julian Hoenig, San Francisco, CA (US);
Richard P. Howarth, San Francisco, CA (US);
Jonathan P. Ive, San Francisco, CA (US);
Duncan Robert Kerr, San Francisco, CA (US);
Shin Nishibori, Kailua, HI (US);
Matthew Dean Rohrbach, San Francisco, CA (US);
Peter Russell-Clarke, San Francisco, CA (US);
Christopher J. Stringer, Woodside, CA (US);
Eugene Antony Whang, San Francisco, CA (US);
Rico Zörkendörfer, San Francisco, CA (US)

(73) Assignee: **Apple Inc.**, Cupertino, CA (US)
 (**) Term: **14 Years**
 (21) Appl. No.: **29/456,487**
 (22) Filed: **May 31, 2013**

Related U.S. Application Data

(63) Continuation of application No. 29/431,556, filed on Sep. 7, 2012, now Pat. No. Des. 684,976.
 (51) **LOC (10) Cl.** **14-02**
 (52) **U.S. Cl.**
 USPC **D14/433**
 (58) **Field of Classification Search**
 USPC **D14/356-358, 383-385, 420, 426, 427, D14/432-439, 447, 453, 454, 217, 253, D14/299; D13/107, 108, 133, 146, 147, D13/152, 154, 156, 158, 162, 162.1, 168, D13/173, 177; 439/131, 172-174, 373, 378; 361/679.08, 679.56, 679.21, 679.4**
 See application file for complete search history.

(56) **References Cited**

U.S. PATENT DOCUMENTS

D304,028 S 10/1989 Matsuzaki
 D369,157 S 4/1996 Ohmori et al.
 D399,047 S 10/1998 Yoshida et al.
 6,137,710 A 10/2000 Iwasaki et al.

(Continued)

FOREIGN PATENT DOCUMENTS

WO WO 2006/074348 A1 7/2006
 WO WO 2011/150403 A1 12/2011

(Continued)

OTHER PUBLICATIONS

Co-pending U.S. Appl. No. 29/441,757, filed Jan. 9, 2013 (Not Published).

(Continued)

Primary Examiner — Austin Murphy

(74) *Attorney, Agent, or Firm* — Sterne, Kessler, Goldstein & Fox P.L.L.C.

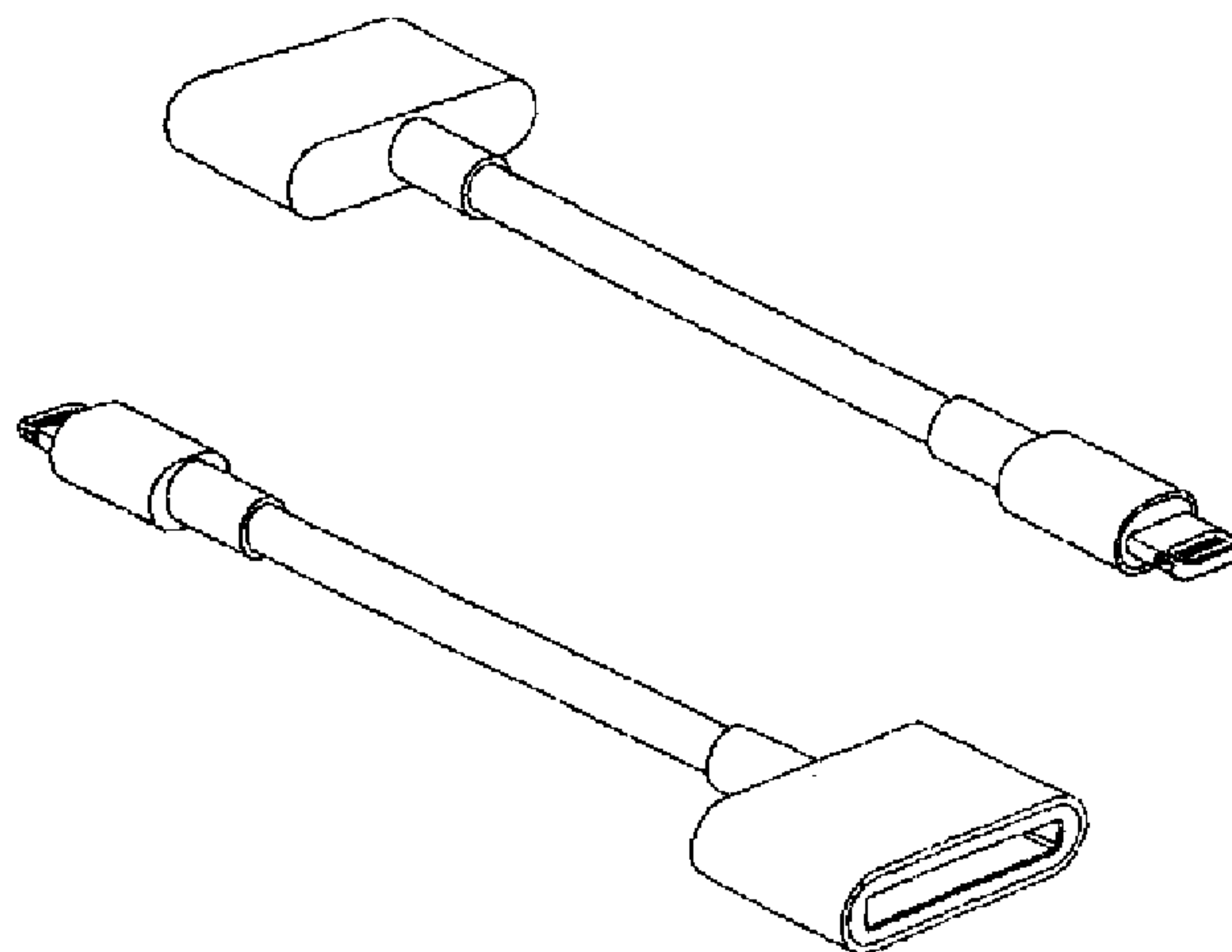
(57) **CLAIM**

The ornamental design for an adapter, as shown and described.

DESCRIPTION

FIG. 1 is a top front perspective view of an adapter showing our new design;
 FIG. 2 is a bottom rear perspective view thereof;
 FIG. 3 is a front view thereof, the rear view being a mirror image thereof;
 FIG. 4 is a side view thereof, the other side view being a mirror image thereof;
 FIG. 5 is a bottom view thereof; and,
 FIG. 6 is a top view thereof.
 The shade lines in the Figures show contour and not surface ornamentation.

1 Claim, 5 Drawing Sheets



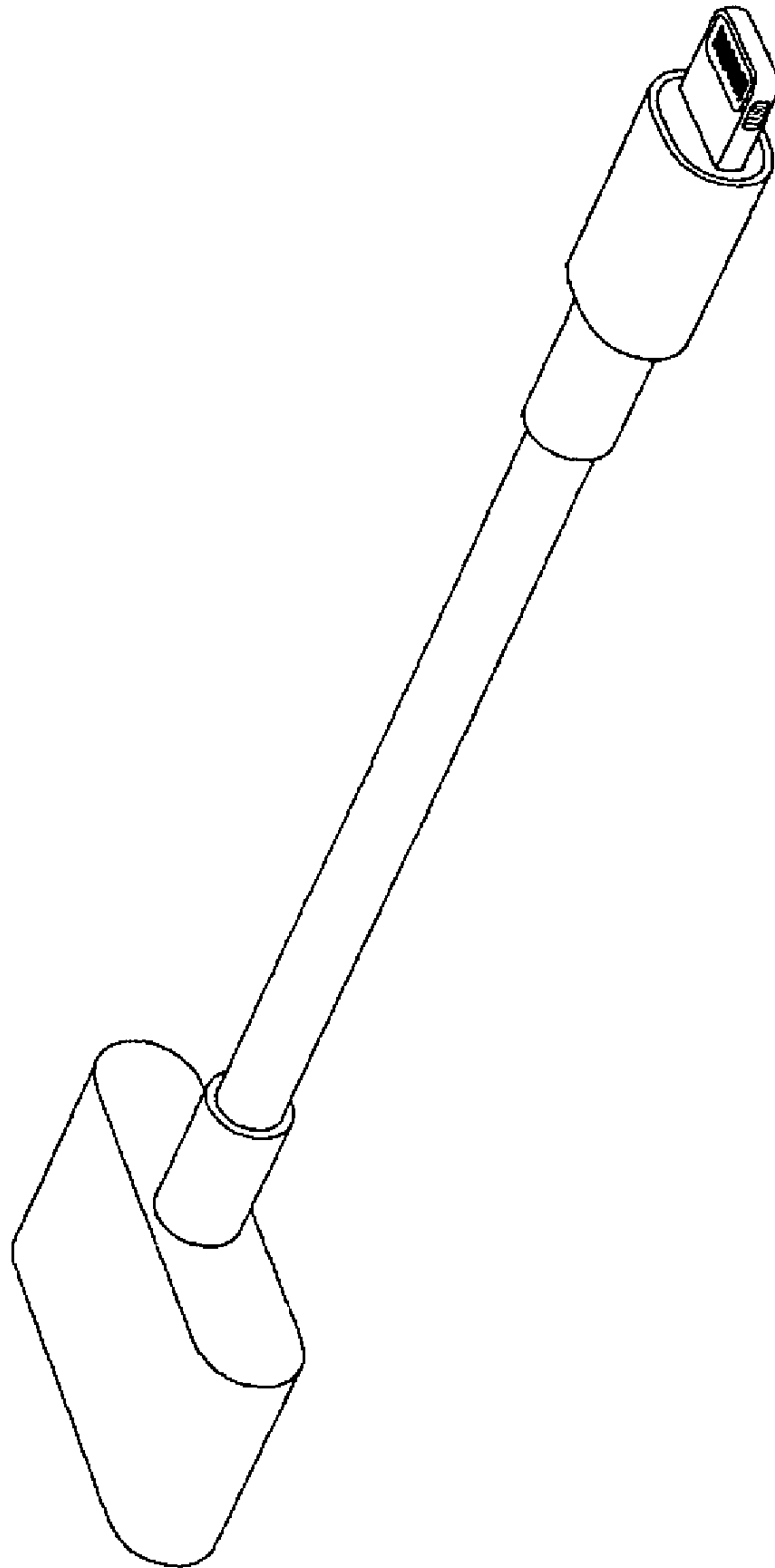


FIG. 1

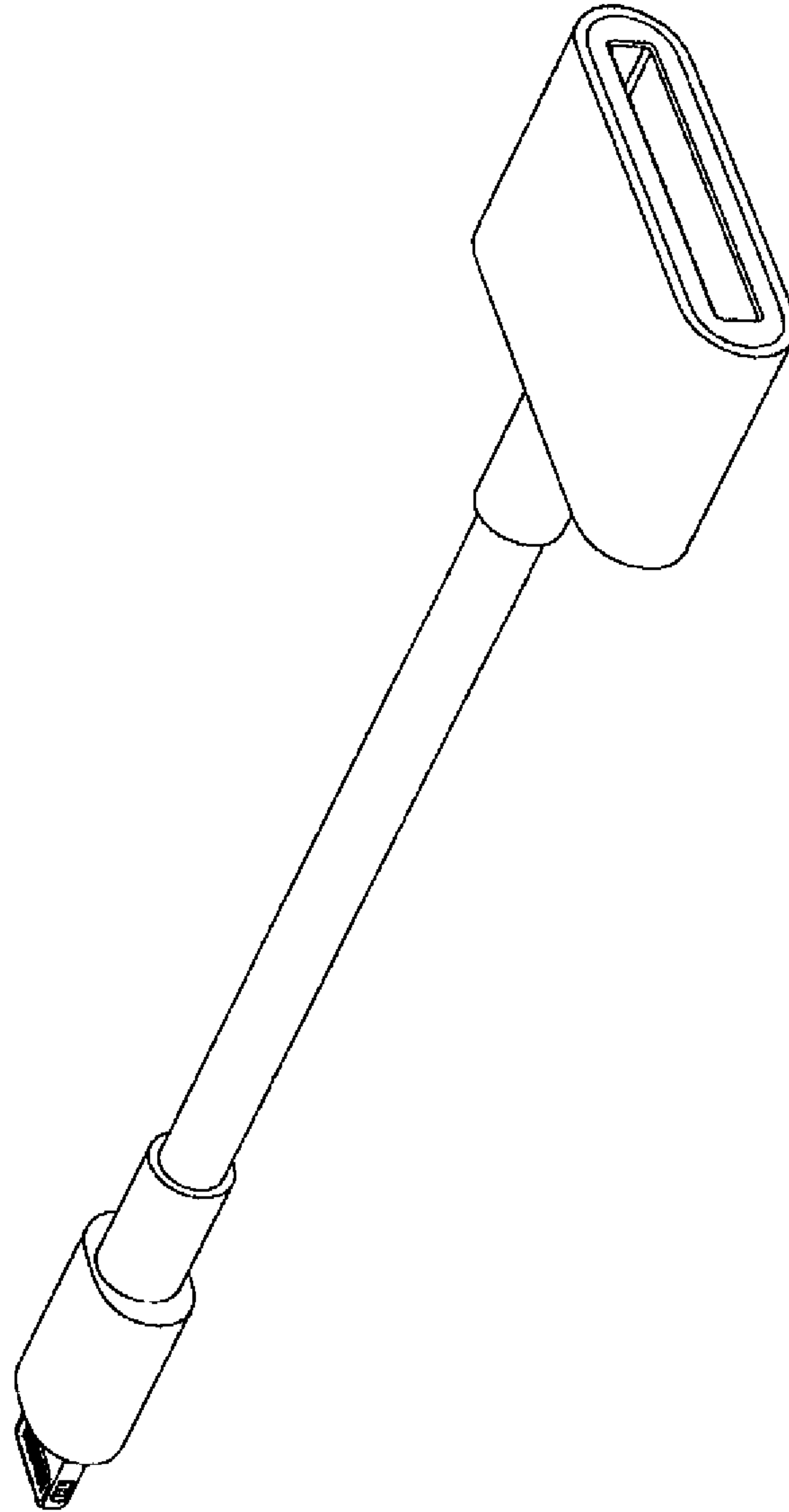


FIG. 2

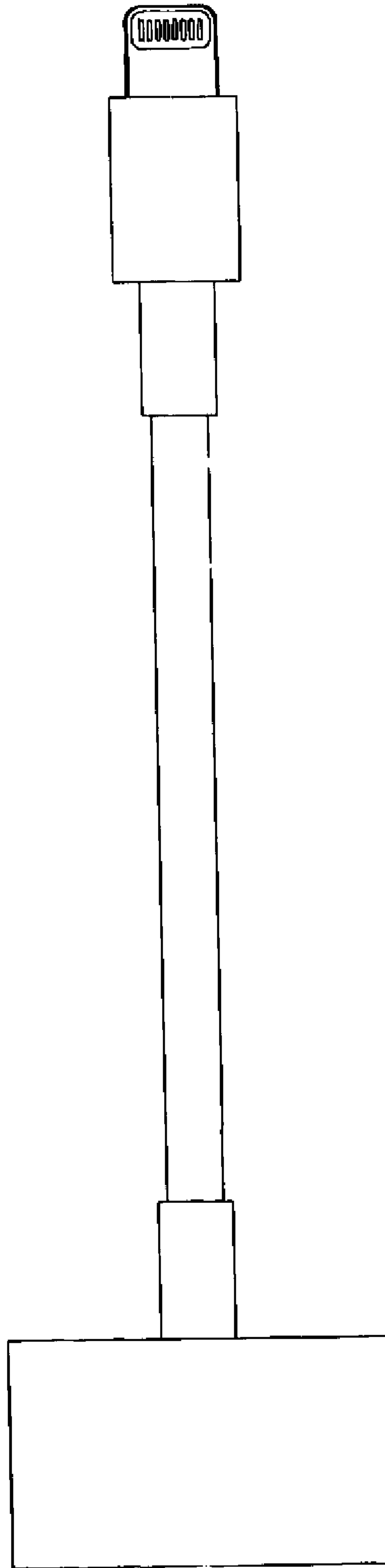


FIG. 3

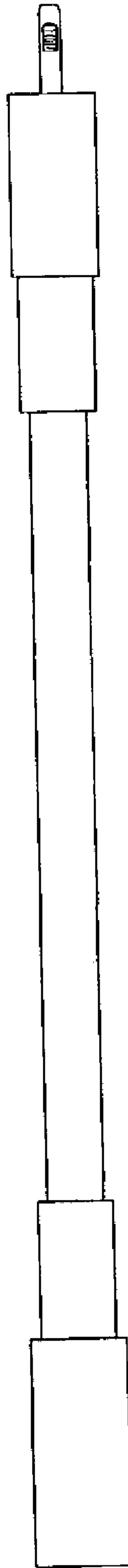


FIG. 4

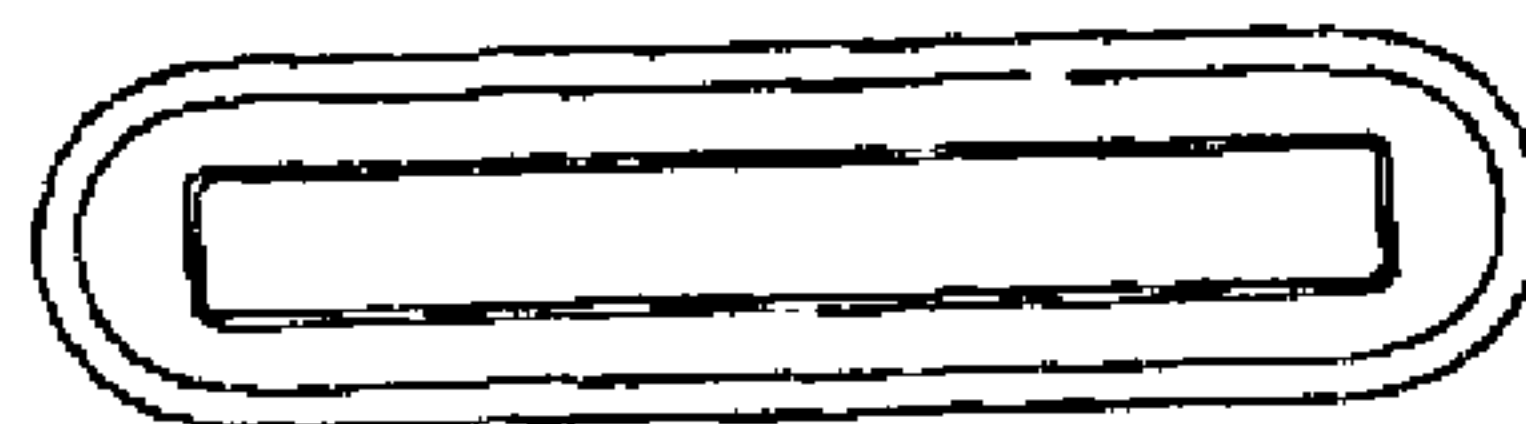


FIG. 5



FIG. 6