



US00D707678S

(12) **United States Design Patent**
Azuma

(10) **Patent No.:** **US D707,678 S**
(45) **Date of Patent:** **** Jun. 24, 2014**

(54) **PERSONAL DIGITAL ASSISTANT WITH A PAYMENT DEVICE**

(71) Applicant: **Yoshihiro Azuma**, Tokyo (JP)

(72) Inventor: **Yoshihiro Azuma**, Tokyo (JP)

(**) Term: **14 Years**

(21) Appl. No.: **29/461,906**

(22) Filed: **Jul. 29, 2013**

(30) **Foreign Application Priority Data**

Jan. 31, 2013 (JP) 2013-001898

(51) **LOC (10) Cl.** **14-02**

(52) **U.S. Cl.**
USPC **D14/385**

(58) **Field of Classification Search**
USPC D14/356–358, 383–385, 420, 426, 427,
D14/432–439, 447, 453, 454, 217, 253, 299,
D14/307; D13/107, 108, 133, 146, 147,
D13/152, 154, 156, 158, 162, 162.1, 168,
D13/173, 177, 102; 235/441, 451, 492, 380,
235/439, 375; 361/679.31, 600, 679.01,
361/679.02

See application file for complete search history.

(56) **References Cited**

U.S. PATENT DOCUMENTS

D264,347 S * 5/1982 Peroni D18/11
D348,449 S * 7/1994 Rodd et al. D14/374
D357,495 S * 4/1995 Skaggs et al. D18/12.3
D360,196 S * 7/1995 Cox et al. D18/4.5
D377,645 S * 1/1997 Iwamoto et al. D14/385
D403,670 S * 1/1999 Liao D14/375
D493,816 S * 8/2004 Butler D18/4.6
D500,039 S * 12/2004 Chen D14/385

D504,892 S * 5/2005 Chen et al. D14/375
D587,267 S * 2/2009 Wang D14/356
D595,252 S * 6/2009 Schuler Thorne et al. ... D14/129
D624,915 S * 10/2010 Ferreira Sanchez D14/385
D669,464 S * 10/2012 Birgeoglu D14/307
D681,639 S * 5/2013 Cruz et al. D14/385
D691,141 S * 10/2013 Cruz D14/439
D692,885 S * 11/2013 Cruz D14/385
D696,255 S * 12/2013 Bousfield et al. D14/385

* cited by examiner

Primary Examiner — Austin Murphy

(74) *Attorney, Agent, or Firm* — Muncy, Geissler, Olds & Lowe, P.C.

(57) **CLAIM**

The ornamental design for a personal digital assistant with a payment device, as shown and described.

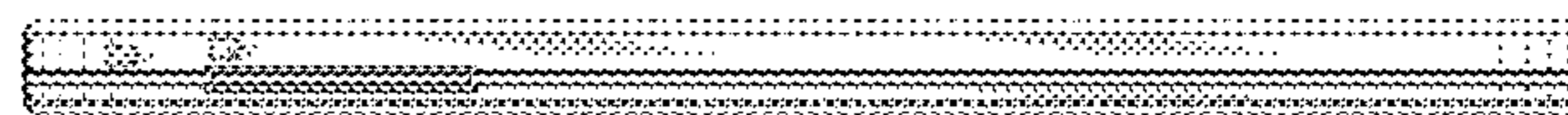
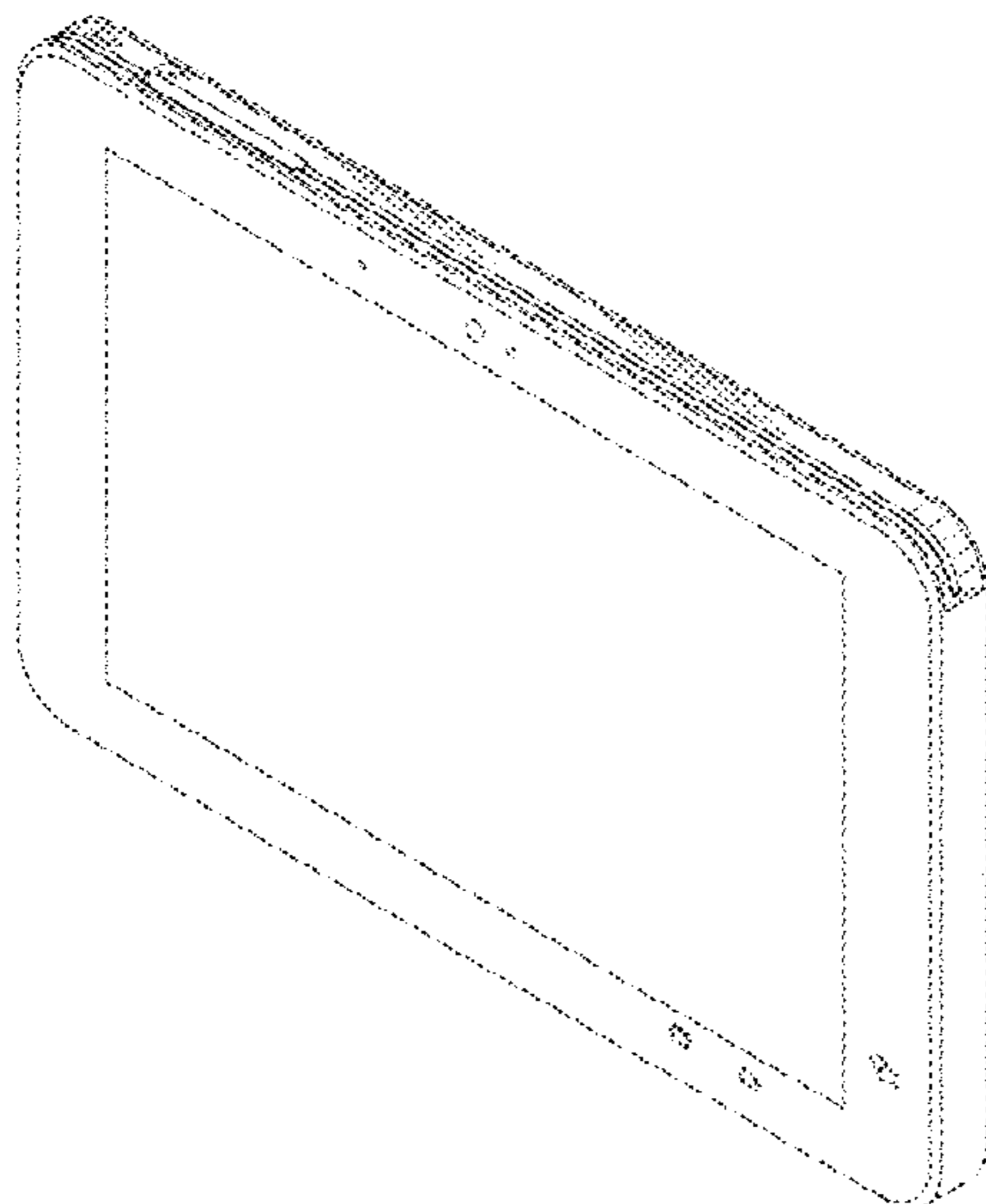
DESCRIPTION

FIG. 1 is a perspective view of a personal digital assistant with a payment device showing my new design;
FIG. 2 is a front elevational view thereof;
FIG. 3 is a right side view thereof;
FIG. 4 is a left side view thereof;
FIG. 5 is a top plan view thereof;
FIG. 6 is a bottom plan view thereof;
FIG. 7 is a rear elevational view thereof;
FIG. 8 is a perspective view thereof, shown in use with a magnetic card; and,
FIG. 9 is a perspective view thereof, shown in use with an IC card.

The broken line showing is for the purpose of illustrating environment structure and forms no part of the claimed design.

The dash-dot-dash-dot type broken lines define the boundaries of the claimed design.

1 Claim, 9 Drawing Sheets



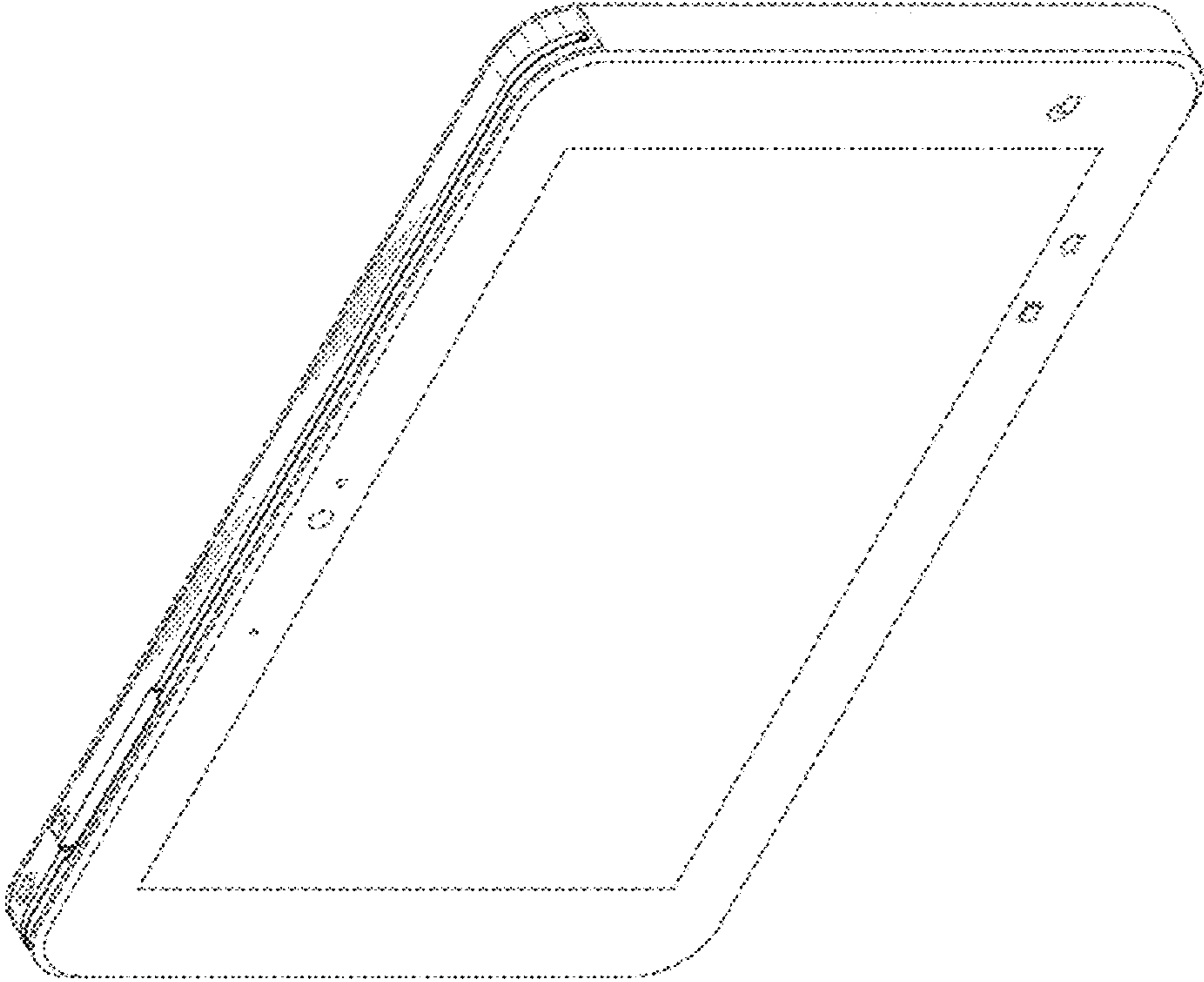


FIG.1

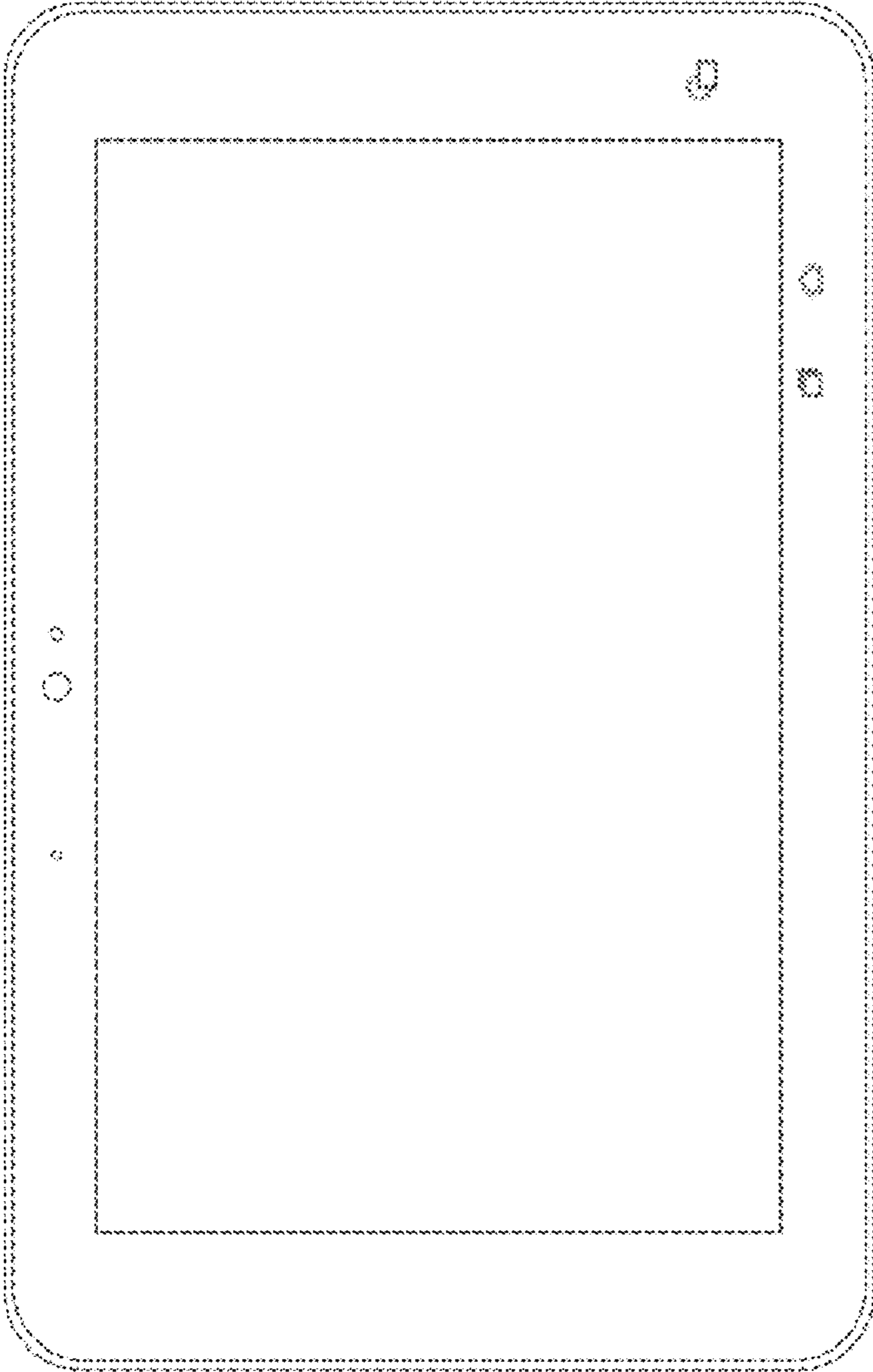


FIG. 2



FIG. 3

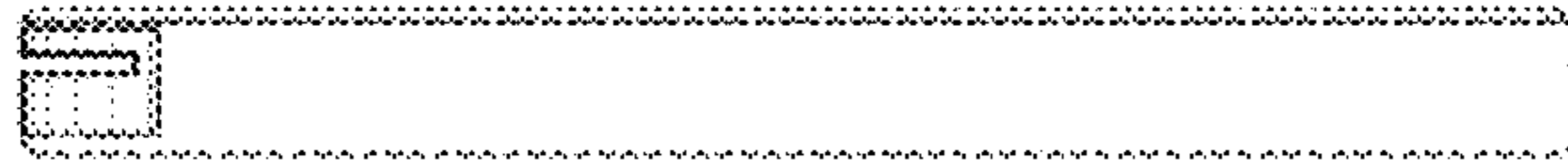


FIG. 4

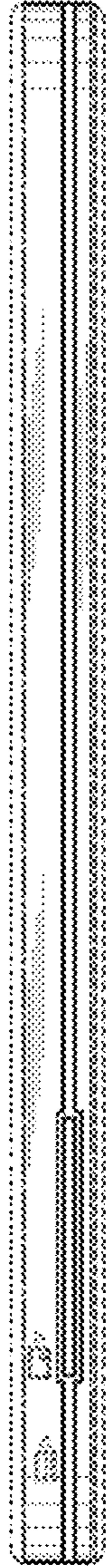


FIG. 5



FIG.6

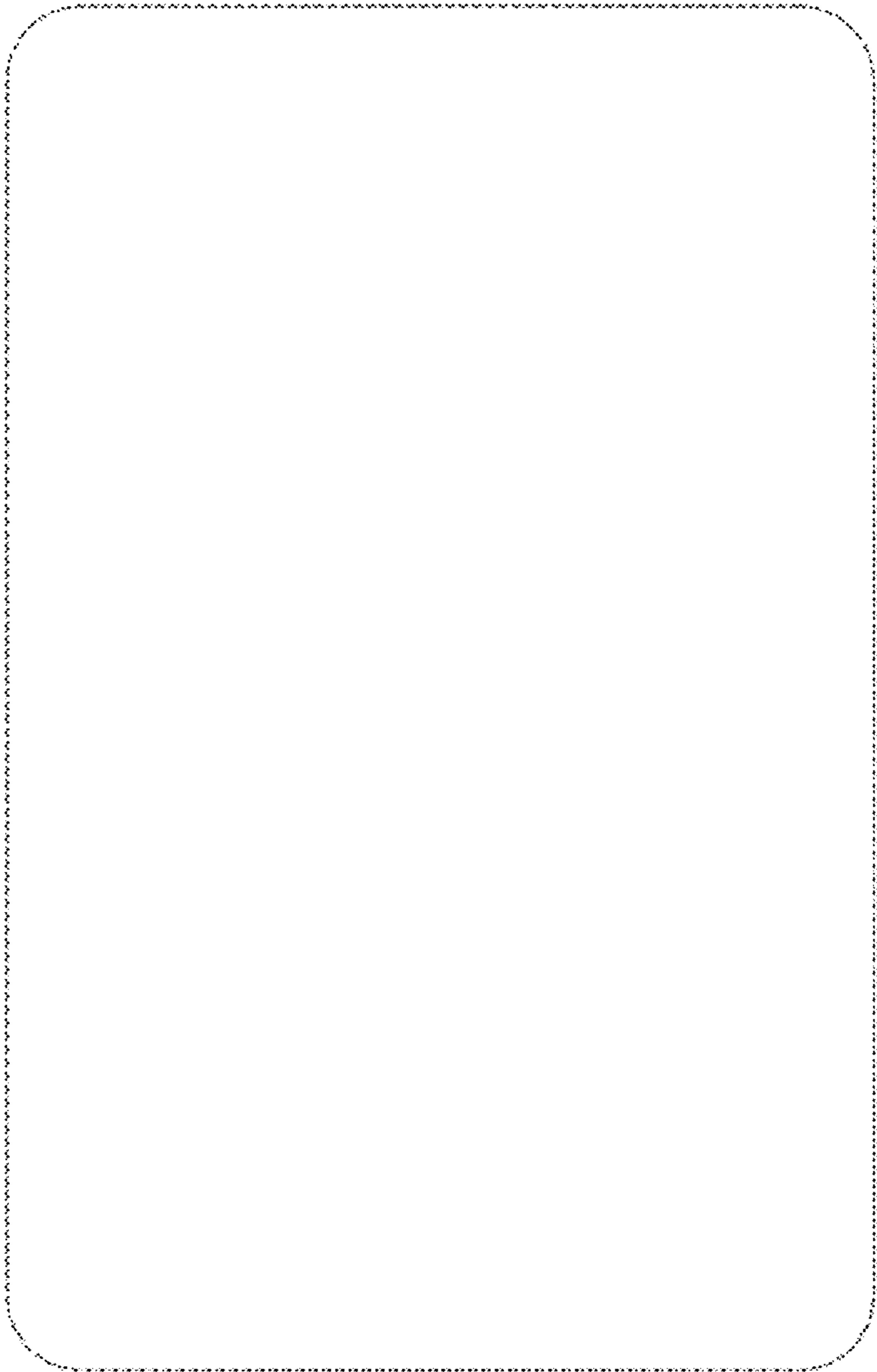


FIG.7

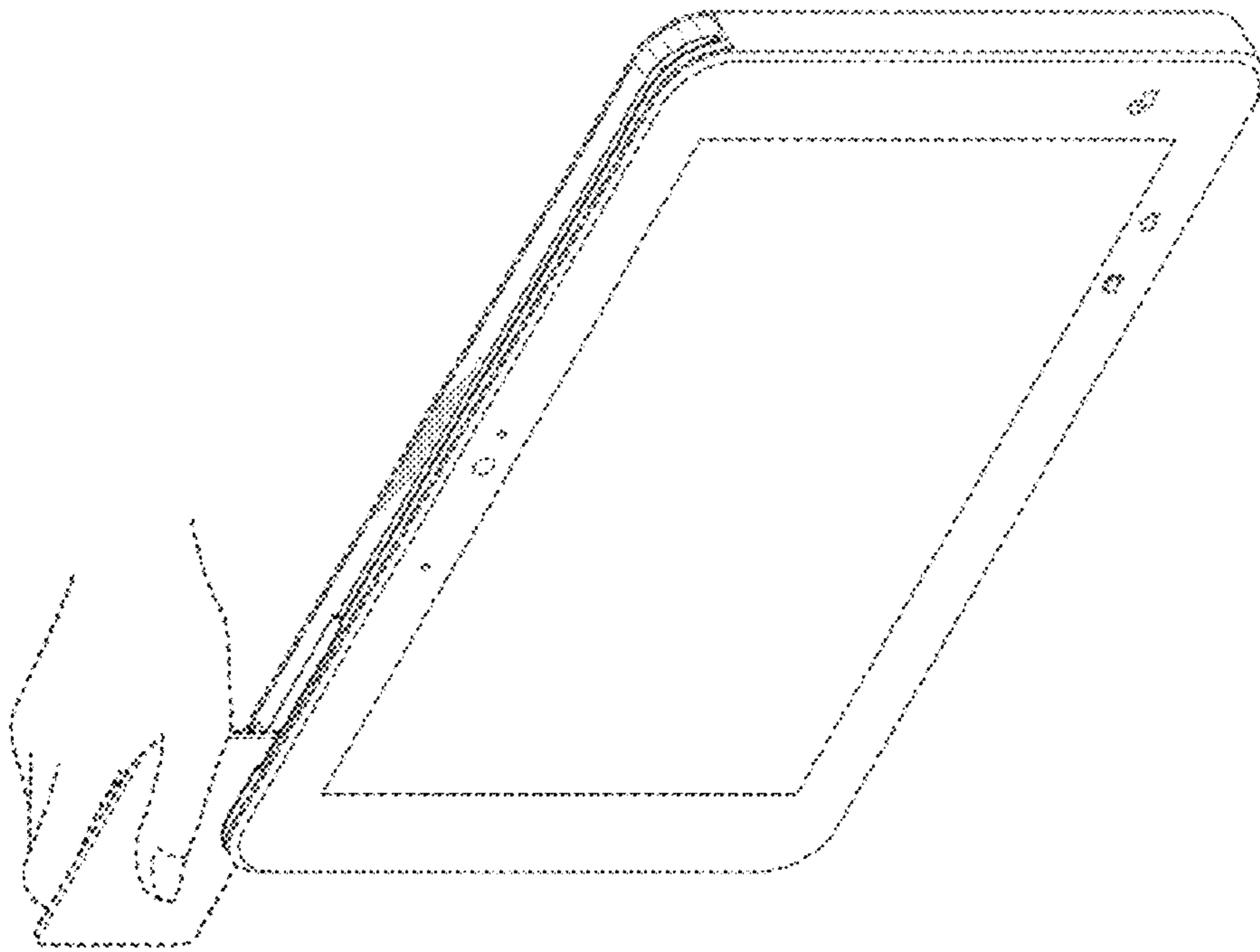


FIG. 8

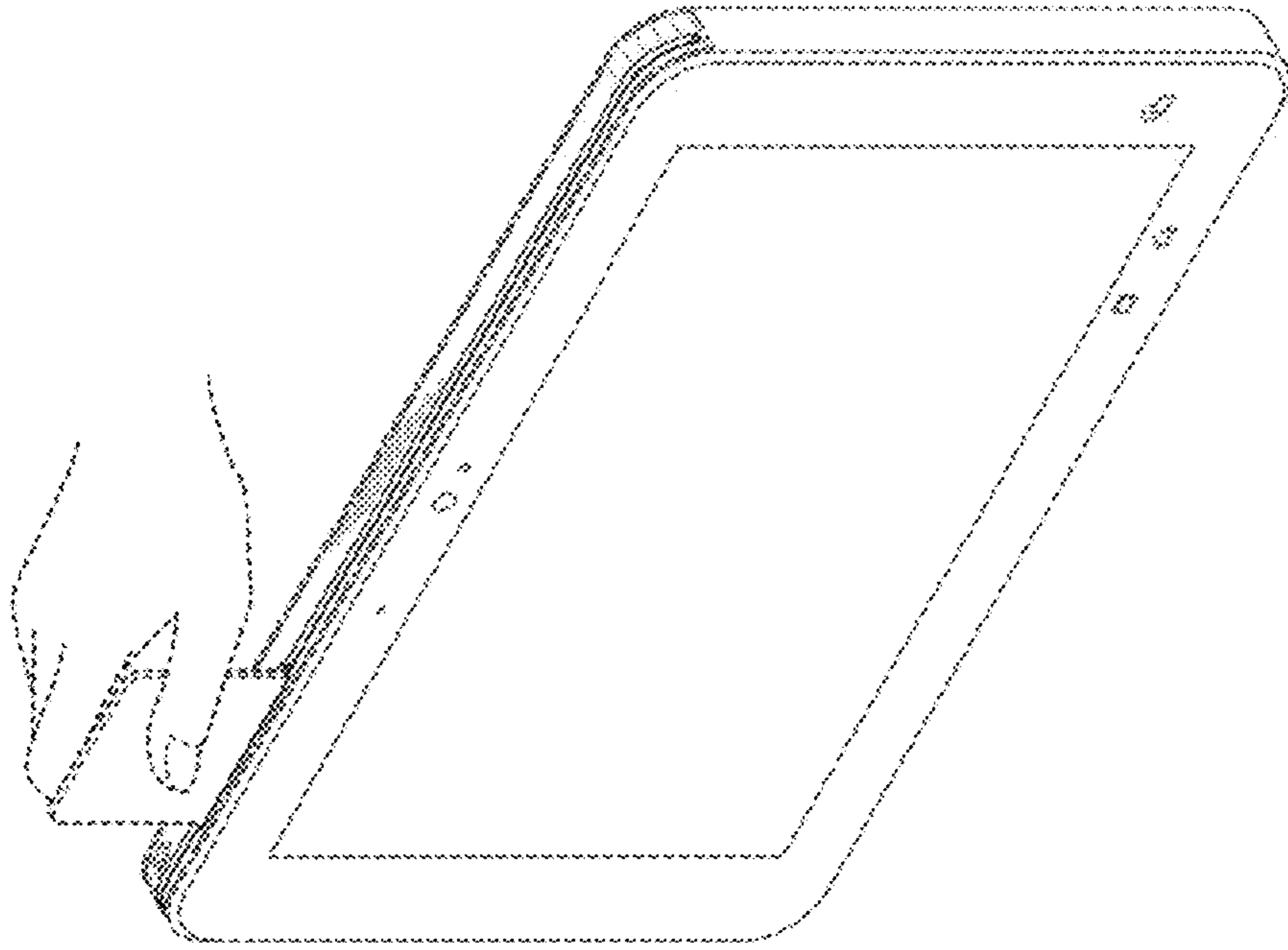


FIG.9