



US00D707676S

(12) **United States Design Patent**
Azuma

(10) **Patent No.:** **US D707,676 S**
(45) **Date of Patent:** **** Jun. 24, 2014**

(54) **PERSONAL DIGITAL ASSISTANT WITH A PAYMENT DEVICE**

(71) Applicant: **Yoshihiro Azuma**, Tokyo (JP)

(72) Inventor: **Yoshihiro Azuma**, Tokyo (JP)

(**) Term: **14 Years**

(21) Appl. No.: **29/461,890**

(22) Filed: **Jul. 29, 2013**

(30) **Foreign Application Priority Data**

Jan. 31, 2013 (JP) 2013-001887

(51) **LOC (10) Cl.** **14-02**

(52) **U.S. Cl.**
USPC **D14/385; D14/307**

(58) **Field of Classification Search**
USPC D14/356–358, 383–385, 420, 426, 427, D14/432–439, 447, 453, 454, 217, 253, 299, D14/307; D13/107, 108, 133, 146, 147, D13/152, 154, 156, 158, 162, 162.1, 168, D13/173, 177, 102; 235/441, 451, 492, 380, 235/439, 375; 361/679.31, 600, 679.01, 361/679.02

See application file for complete search history.

(56) **References Cited**

U.S. PATENT DOCUMENTS

D264,347 S * 5/1982 Peroni D18/11
D348,449 S * 7/1994 Rodd et al. D14/374
D357,495 S * 4/1995 Skaggs et al. D18/12.3
D360,196 S * 7/1995 Cox et al. D18/4.5
D377,645 S * 1/1997 Iwamoto et al. D14/385
D403,670 S * 1/1999 Liao D14/375
D493,816 S * 8/2004 Butler D18/4.6
D500,039 S * 12/2004 Chen D14/385

D504,892 S * 5/2005 Chen et al. D14/375
D587,267 S * 2/2009 Wang D14/356
D595,252 S * 6/2009 Schuler Thorne et al. ... D14/129
D624,915 S * 10/2010 Ferreira Sanchez D14/385
D669,464 S * 10/2012 Birgeoglu D14/307
D681,639 S * 5/2013 Cruz et al. D14/385
D691,141 S * 10/2013 Cruz D14/439
D692,885 S * 11/2013 Cruz D14/385
D696,255 S * 12/2013 Bousfield et al. D14/385

* cited by examiner

Primary Examiner — Austin Murphy

(74) *Attorney, Agent, or Firm* — Muncy, Geissler, Olds & Lowe, P.C.

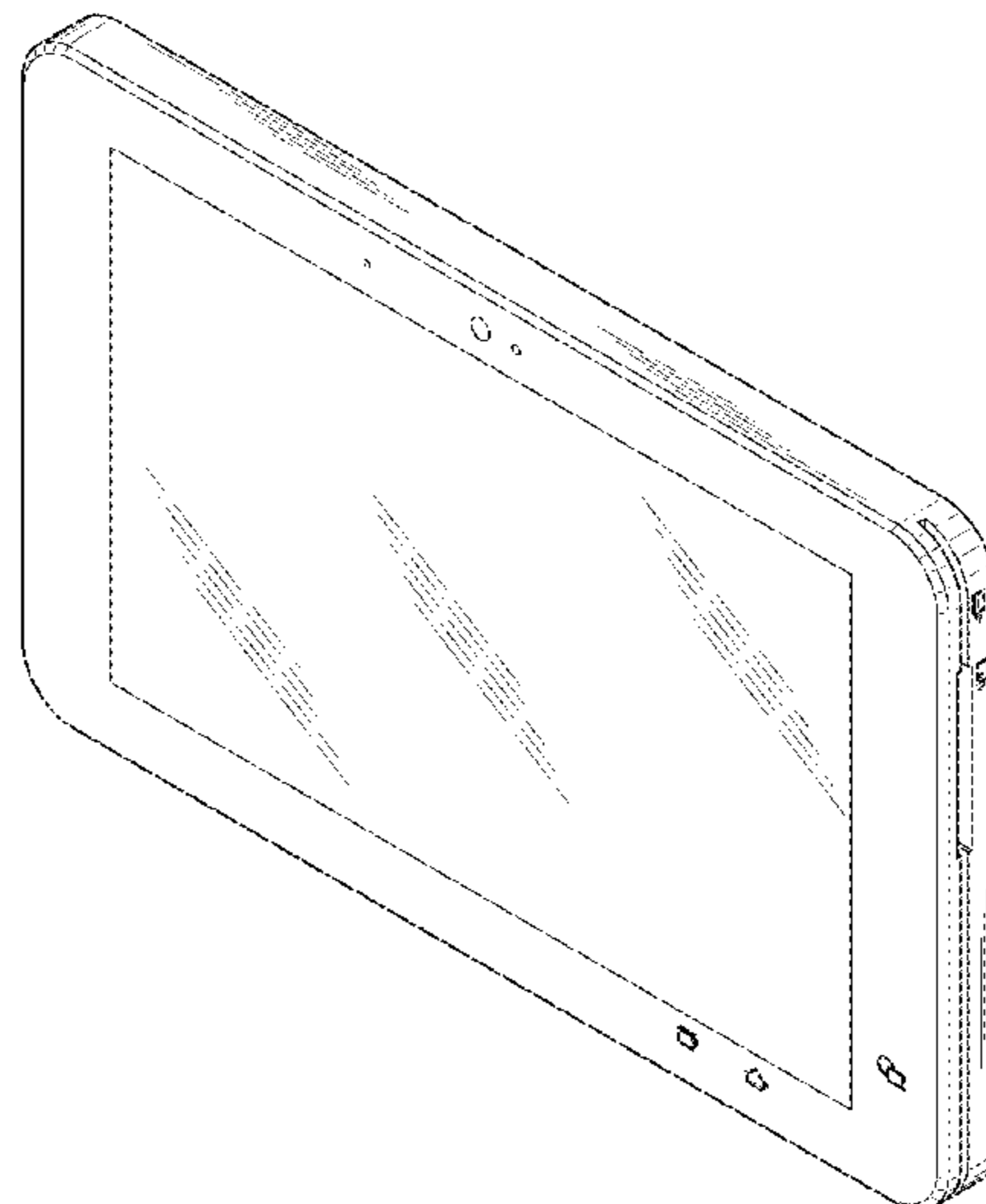
(57) **CLAIM**

The ornamental design for a personal digital assistant with a payment device, as shown and described.

DESCRIPTION

FIG. 1 is a perspective view of a personal digital assistant with a payment device showing my new design;
FIG. 2 is a front elevational view thereof;
FIG. 3 is a right side view thereof;
FIG. 4 is a left side view thereof;
FIG. 5 is a top plan view thereof;
FIG. 6 is a bottom plan view thereof;
FIG. 7 is a rear elevational view thereof;
FIG. 8 is a perspective view thereof, shown in use with a magnetic card;
FIG. 9 is a perspective view thereof, shown in use with an IC card; and,
FIG. 10 is a perspective view thereof, shown in use with a non-contact type IC card.
The broken line showing is for the purpose of illustrating environment structure and forms no part of the claimed design.

1 Claim, 10 Drawing Sheets



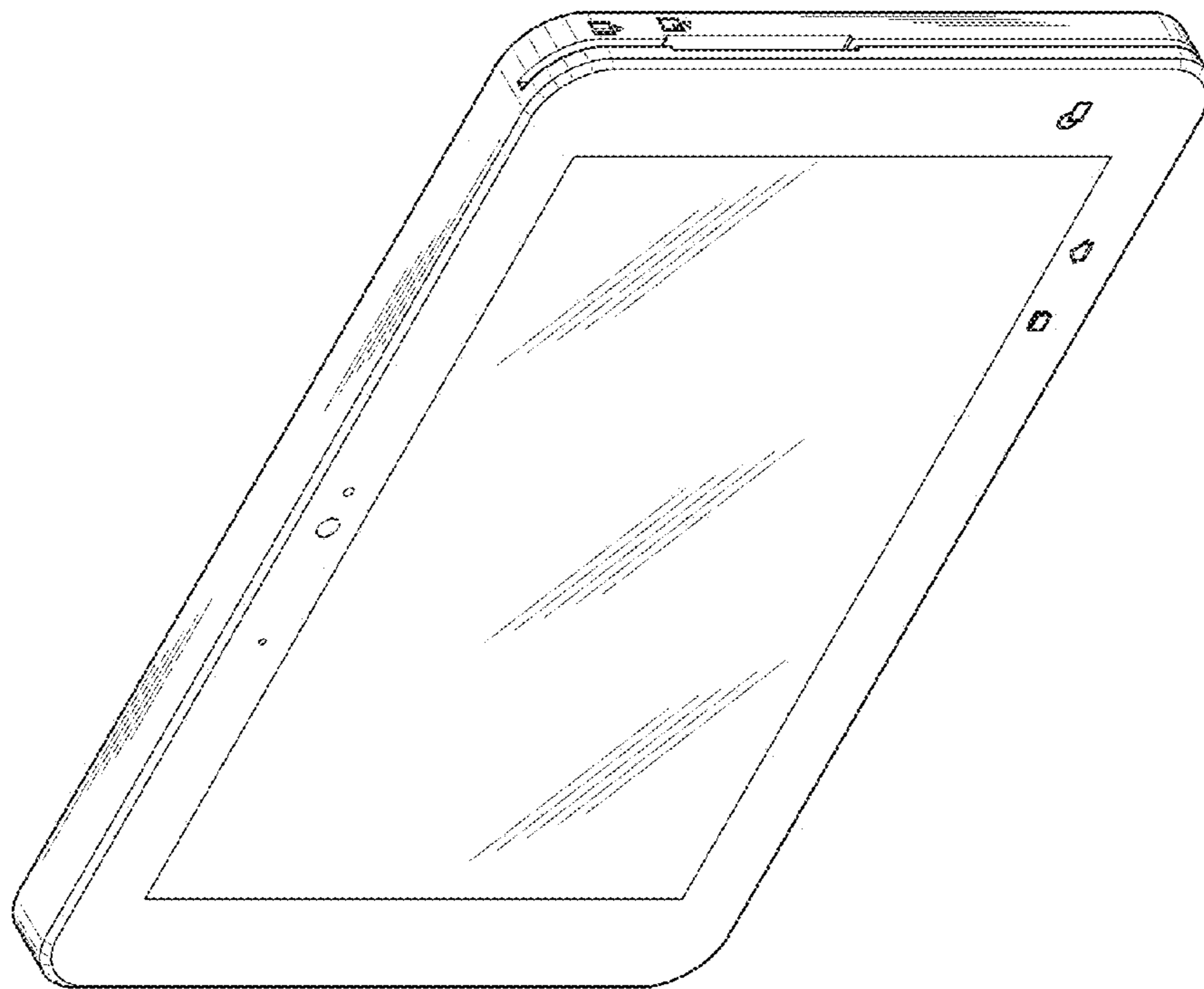


FIG.1

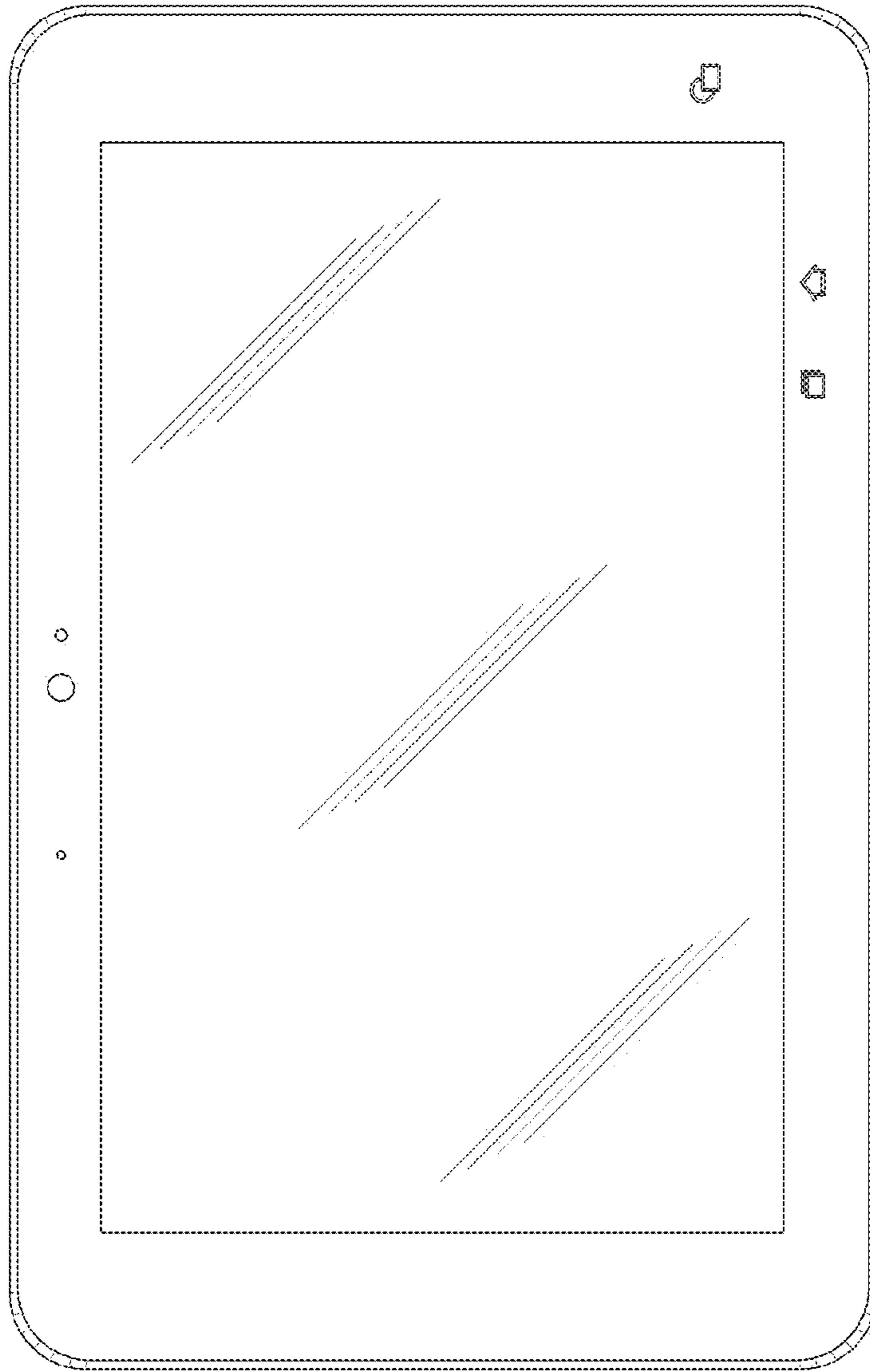


FIG.2

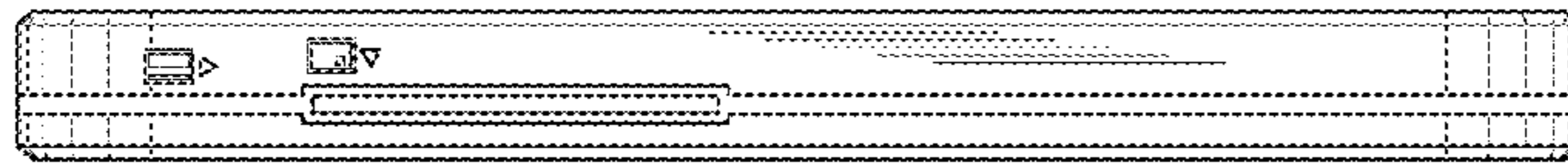


FIG. 3

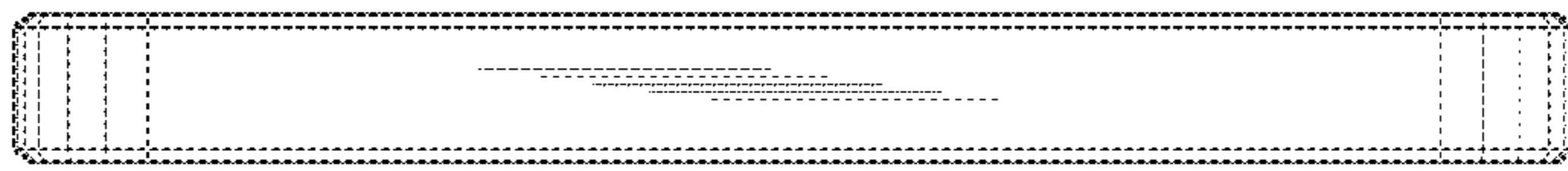


FIG.4

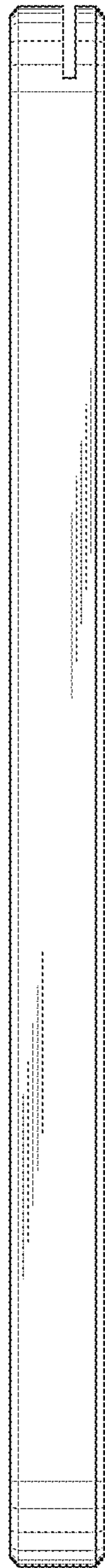


FIG. 5

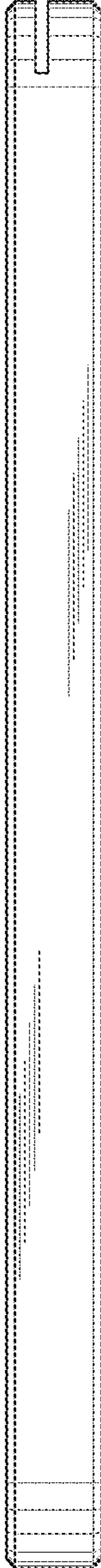


FIG.6

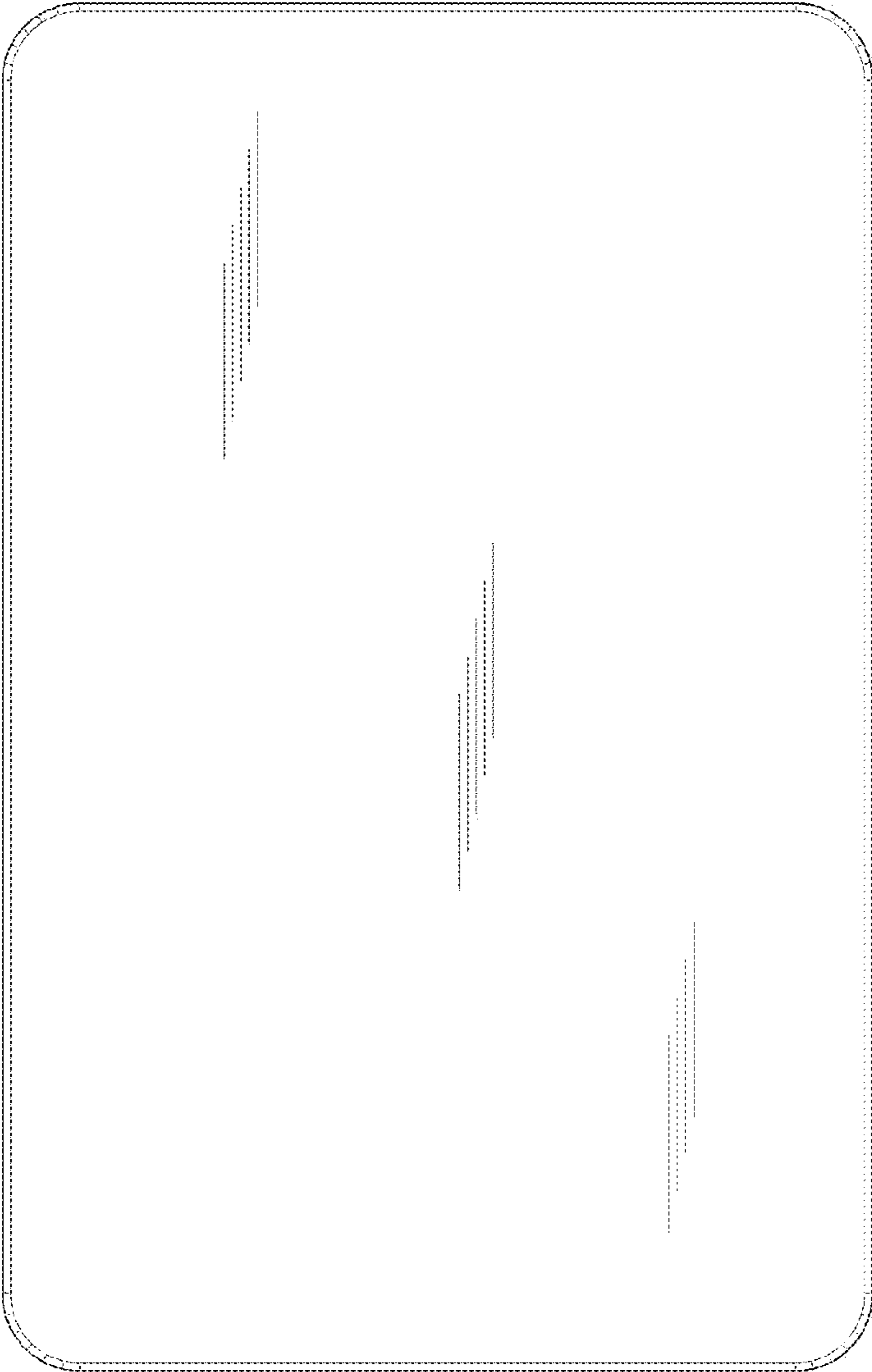


FIG.7

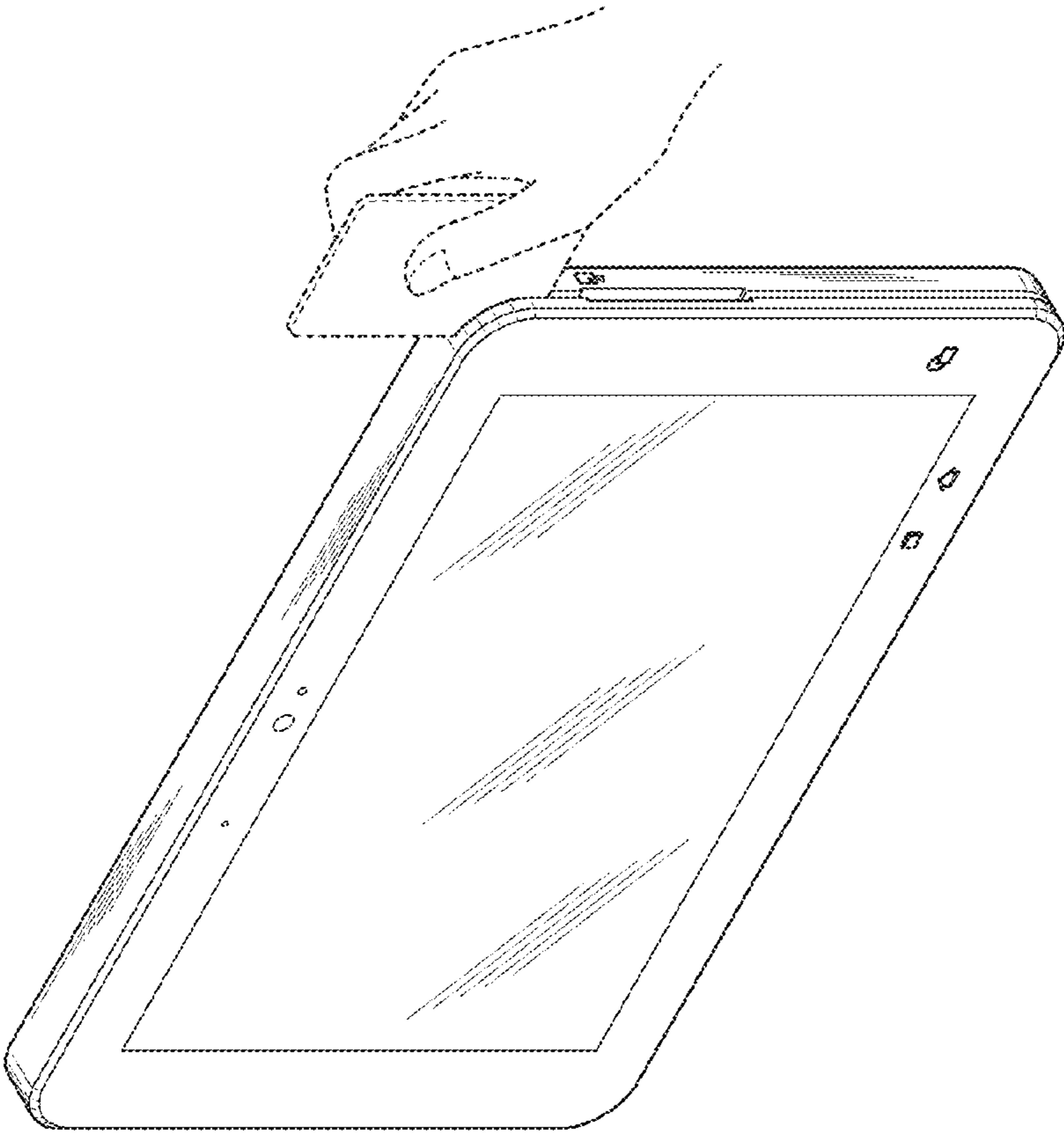


FIG.8

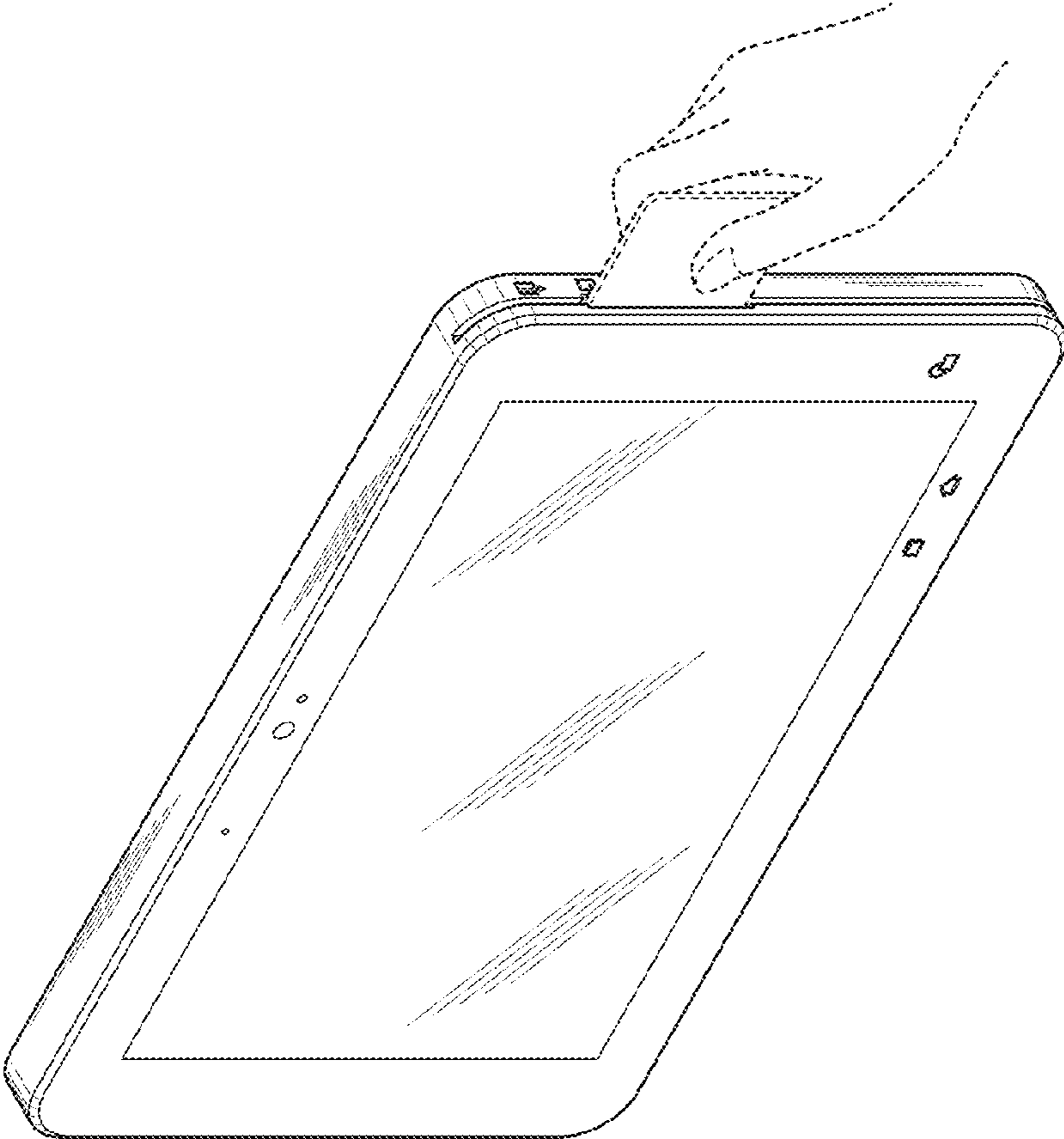


FIG.9

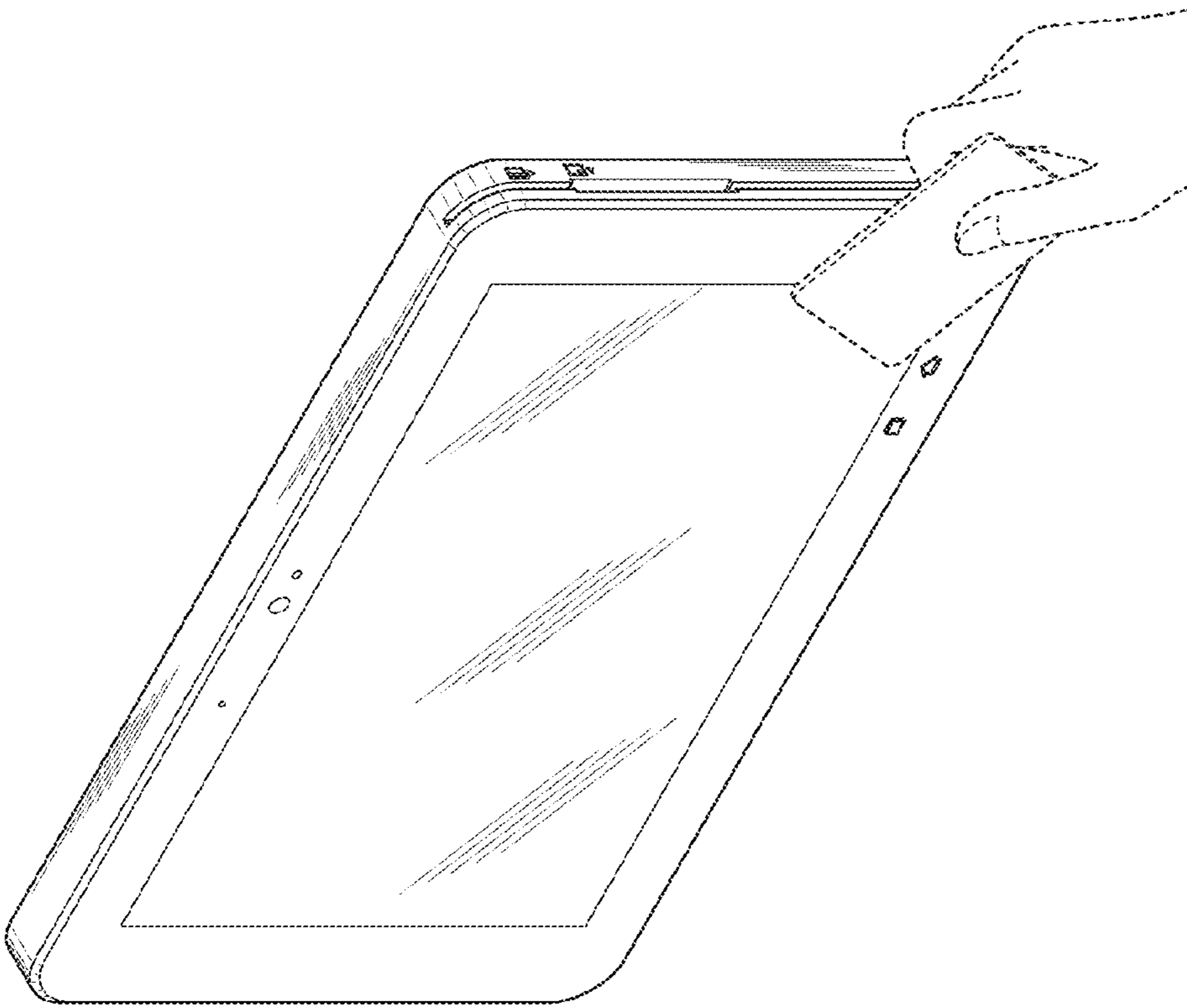


FIG.10