



US00D707674S

(12) **United States Design Patent**  
**Daniel**

(10) **Patent No.:** **US D707,674 S**  
(45) **Date of Patent:** **\*\* Jun. 24, 2014**

(54) **ELECTRONIC KIOSK**

(71) Applicant: **Isaac S. Daniel**, Miramar, FL (US)

(72) Inventor: **Isaac S. Daniel**, Miramar, FL (US)

(\*\*) Term: **14 Years**

(21) Appl. No.: **29/467,546**

(22) Filed: **Sep. 20, 2013**

(51) **LOC (10) Cl.** ..... **14-02**

(52) **U.S. Cl.**  
USPC ..... **D14/307**

(58) **Field of Classification Search**  
USPC ..... D14/302-307, 900-902; D13/163;  
D20/10; D21/332, 325, 369, 370;  
D99/28; D6/397, 466; 194/206;  
361/679.01, 679.02, 679.04, 679.21,  
361/679.57, 725

See application file for complete search history.

(56) **References Cited**

**U.S. PATENT DOCUMENTS**

D505,948 S *	6/2005	Vrachan et al. ....	D14/307
D590,387 S *	4/2009	Chen .....	D14/307
D605,189 S *	12/2009	Kuroda .....	D14/307
D605,191 S *	12/2009	Kuroda et al. ....	D14/307
D628,742 S *	12/2010	Hsu .....	D28/9

D637,595 S *	5/2011	Mizusugi .....	D14/307
D639,800 S *	6/2011	Magruder .....	D14/307
D661,293 S *	6/2012	Kuroda et al. ....	D14/307
D676,038 S *	2/2013	Masuda et al. ....	D14/307
D695,285 S *	12/2013	Smith et al. ....	D14/307
D695,733 S *	12/2013	Damhuis .....	D14/307
D696,658 S *	12/2013	Winston et al. ....	D14/307

\* cited by examiner

*Primary Examiner* — Austin Murphy

(74) *Attorney, Agent, or Firm* — Carol N. Green, Esq.

(57) **CLAIM**

The ornamental design for an electronic kiosk, as shown and described.

**DESCRIPTION**

FIG. 1 is a front perspective view.

FIG. 2 is a front view.

FIG. 3 is a rear view.

FIG. 4 is a side view.

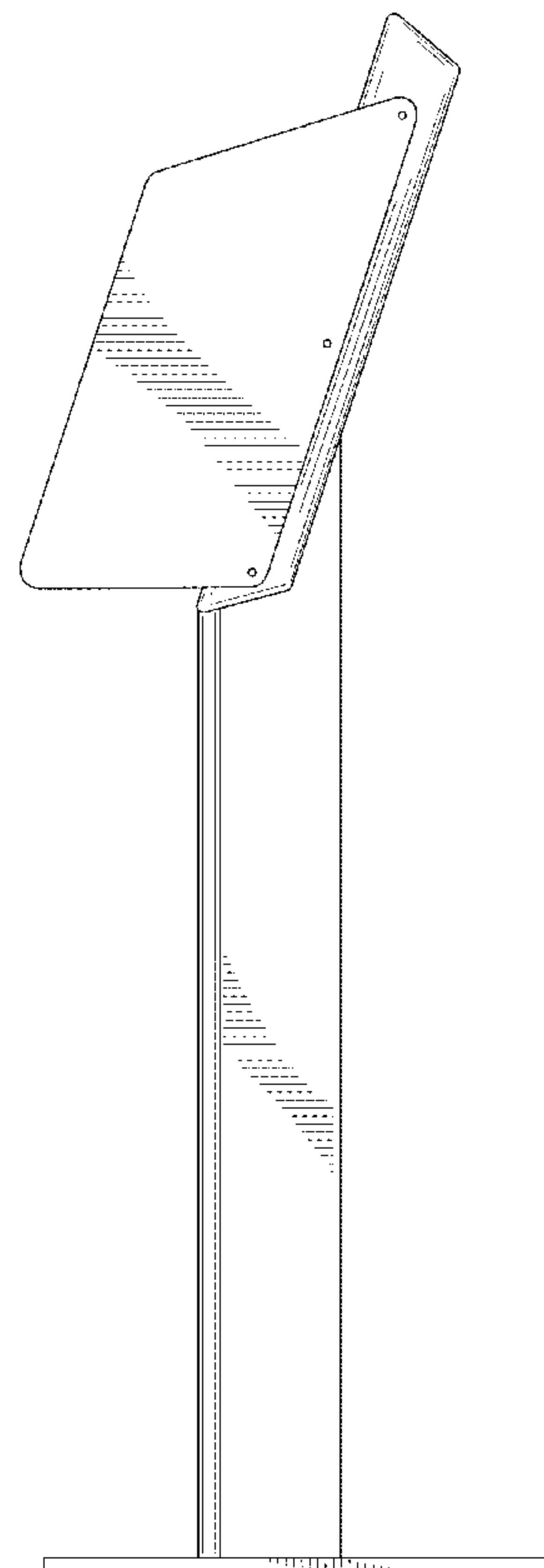
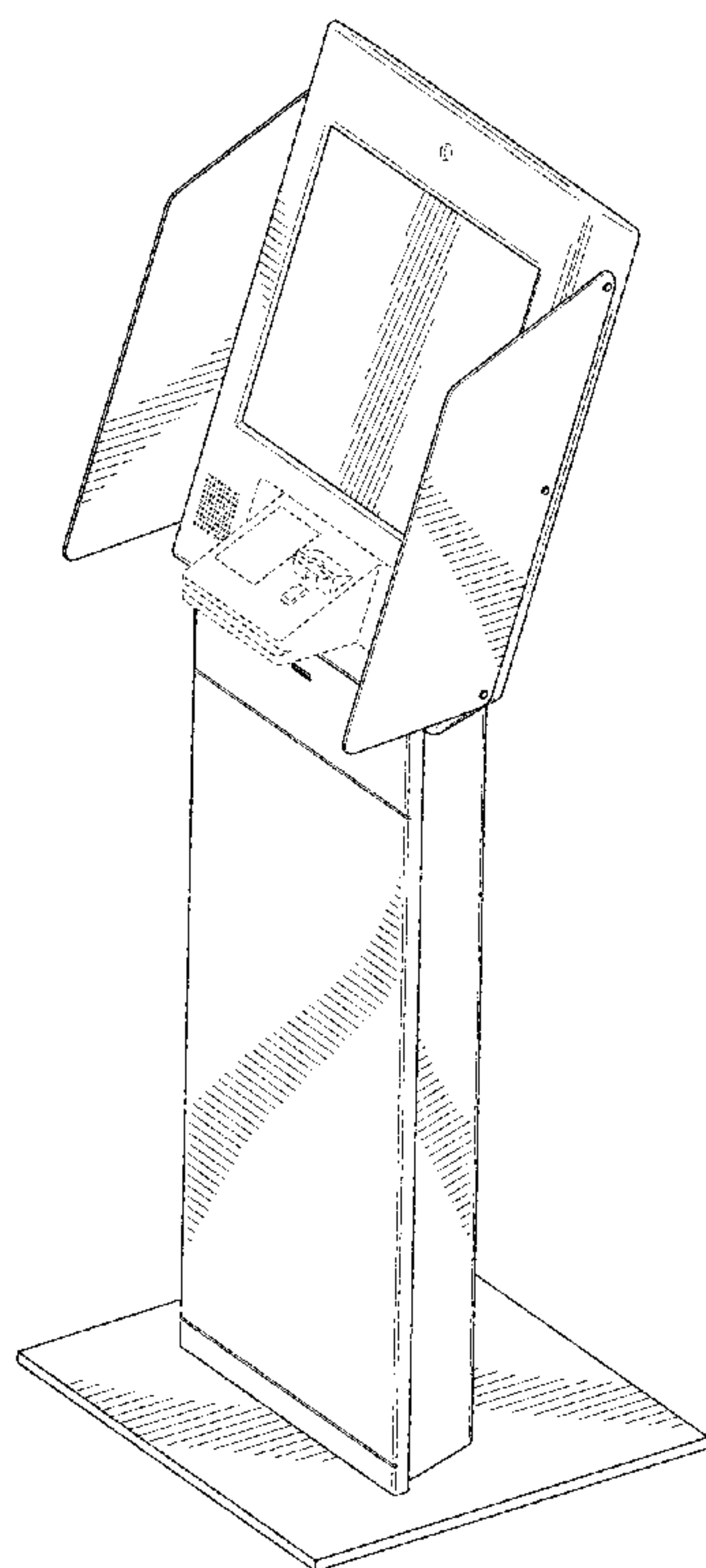
FIG. 5 is another side view.

FIG. 6 is a top view; and,

FIG. 7 is a bottom view.

The broken lines shown in FIGS. 1, 2, and 6 form no part of the claimed design.

**1 Claim, 6 Drawing Sheets**



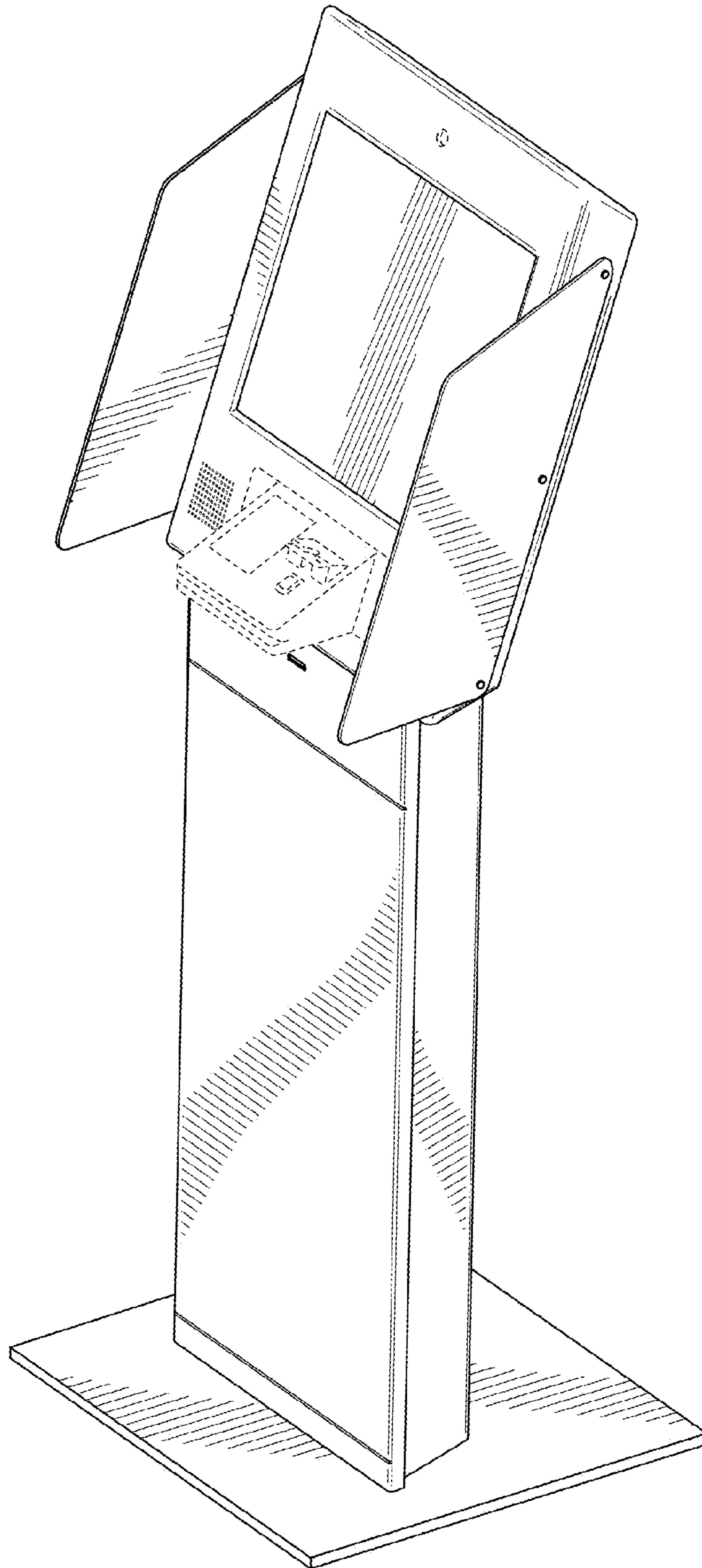


FIG. 1

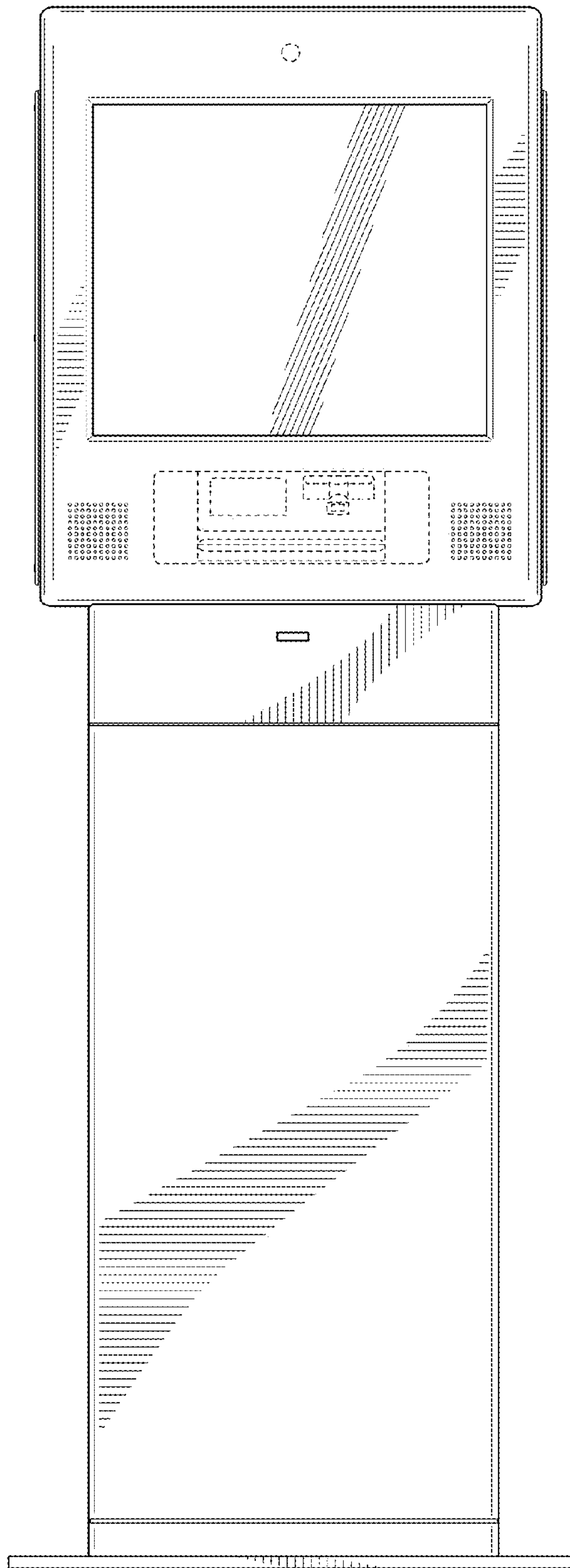
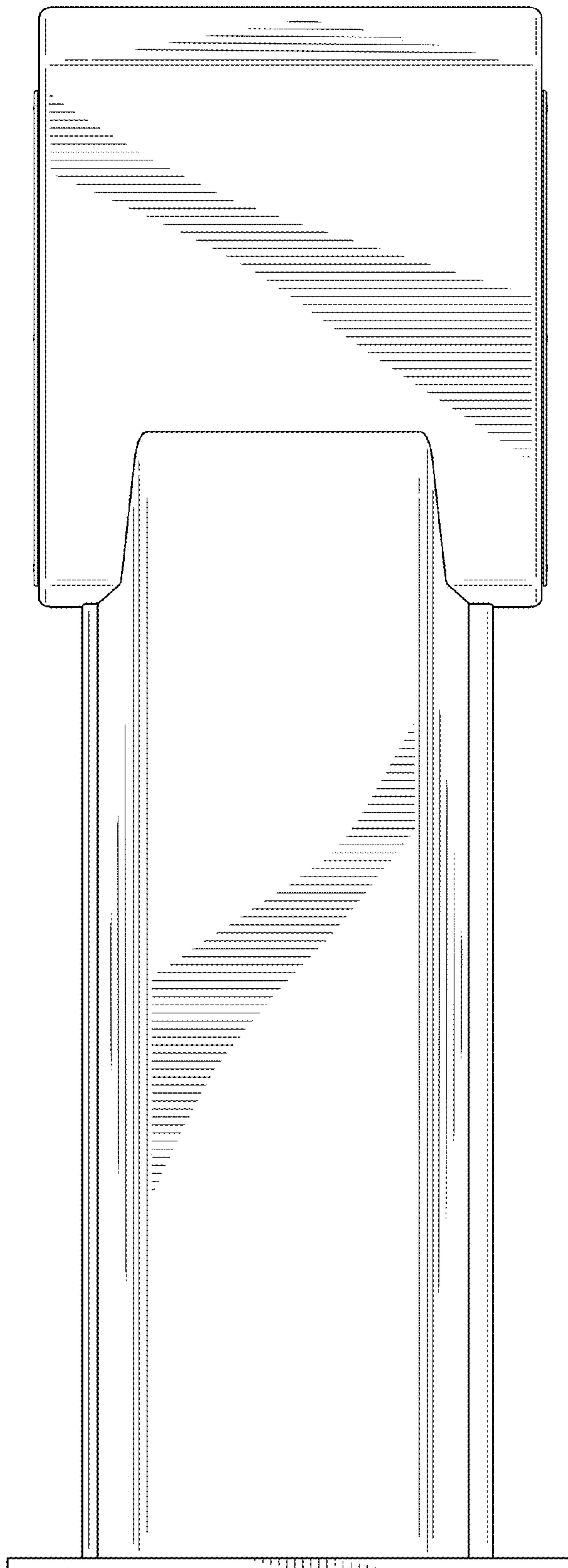


FIG. 2



**FIG. 3**

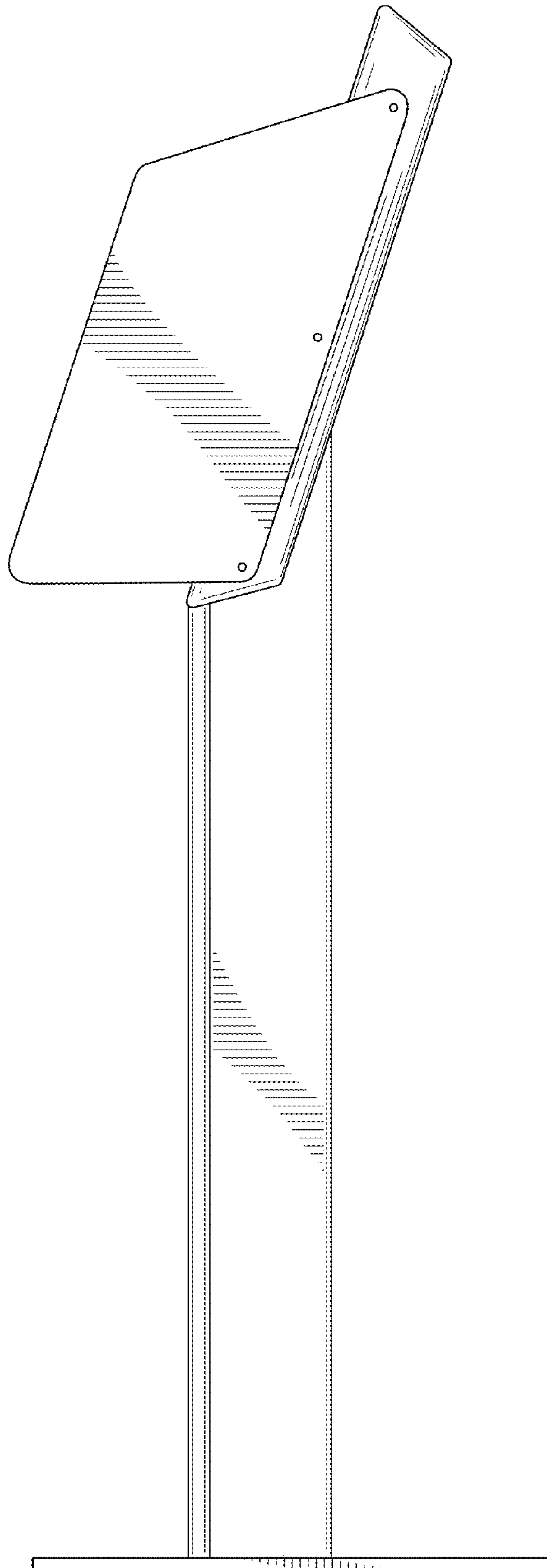


FIG. 4

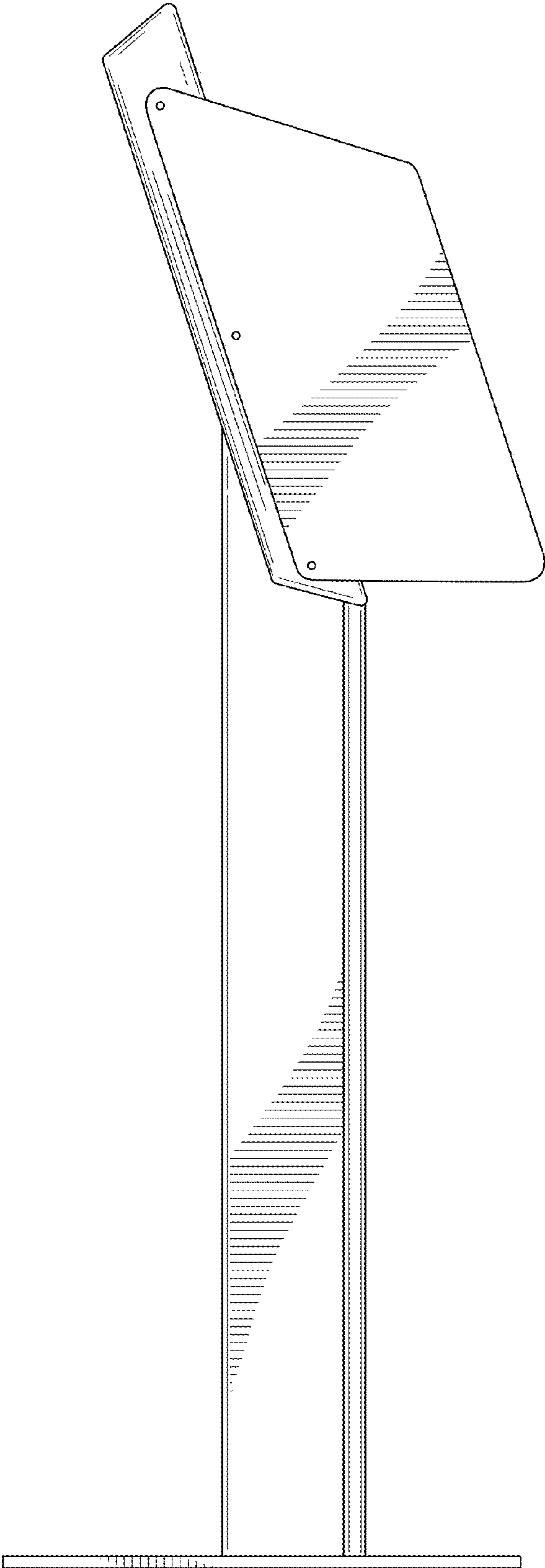


FIG. 5



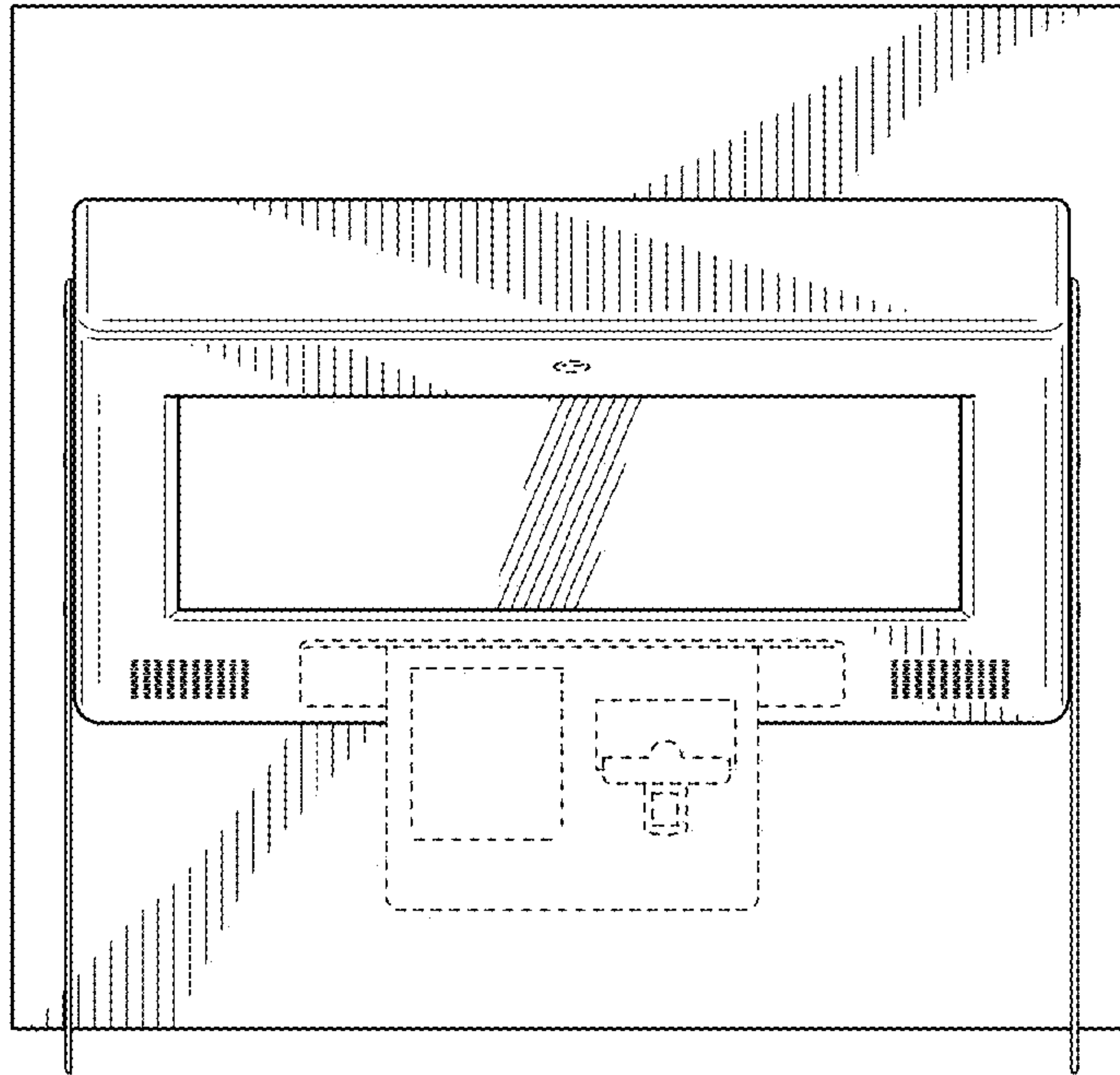


FIG. 6

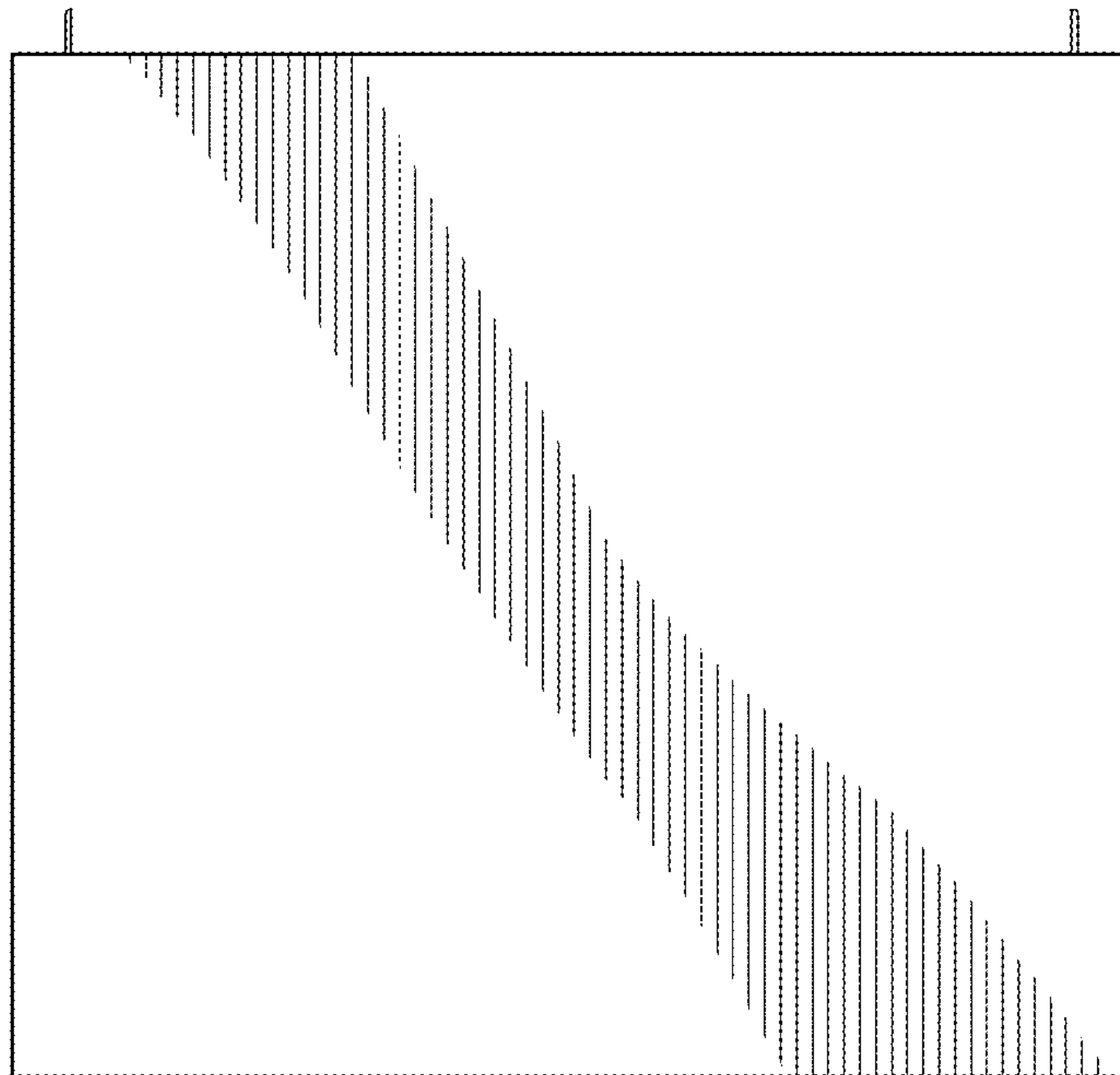


FIG. 7