



US00D707673S

(12) **United States Design Patent**
Lan

(10) **Patent No.:** **US D707,673 S**
(45) **Date of Patent:** **** Jun. 24, 2014**

(54) **STAND FOR ELECTRONIC DEVICE**

(71) Applicant: **Inventec Appliances Corp.**, New Taipei (TW)

(72) Inventor: **De-Zheng Lan**, Shanghai (CN)

(73) Assignee: **Inventec Appliances Corp.**, New Taipei (TW)

(**) Term: **14 Years**

(21) Appl. No.: **29/454,327**

(22) Filed: **May 9, 2013**

(30) **Foreign Application Priority Data**

Nov. 14, 2012 (CN) 2012 3 0551696

(51) **LOC (10) Cl.** **14-03**

(52) **U.S. Cl.**
USPC **D14/253**

(58) **Field of Classification Search**

USPC D14/217, 238.1, 243, 250-253, 434, D14/440, 447, 496, 203.3-203.7, 248, 240, D14/341-347; D3/201, 215, 218, 226, 269, D3/273, 301, 303; D19/90; D6/553; 455/575.1, 575.8; 206/305, 320; 320/108, 115; 429/96; 220/4.02; 150/165; 361/679.56, 679.3, 679.25, 361/816; 379/426, 446, 455, 433.1; 248/309.1, 371, 176.3, 668

See application file for complete search history.

(56) **References Cited**

U.S. PATENT DOCUMENTS

D399,848	S	*	10/1998	Hebblewhite et al.	D14/253
D413,607	S	*	9/1999	Lindahl	D14/253
D528,539	S	*	9/2006	McClaude	D14/253
D566,590	S	*	4/2008	Stevens et al.	D10/74
D606,065	S	*	12/2009	Rihu	D14/253
D614,613	S	*	4/2010	Kim et al.	D14/253
D645,033	S	*	9/2011	Quong et al.	D14/253
8,099,138	B2	*	1/2012	Piekarz	455/569.2
D667,003	S	*	9/2012	Richter	D14/253
D669,459	S	*	10/2012	Kim	D14/253
D683,724	S	*	6/2013	Wada	D14/251
D685,380	S	*	7/2013	Richter	D14/447
D689,853	S	*	9/2013	Smith	D14/253

* cited by examiner

Primary Examiner — Susan Bennett Hattan

Assistant Examiner — Janice Hallmark

(74) *Attorney, Agent, or Firm* — Bacon & Thomas, PLLC

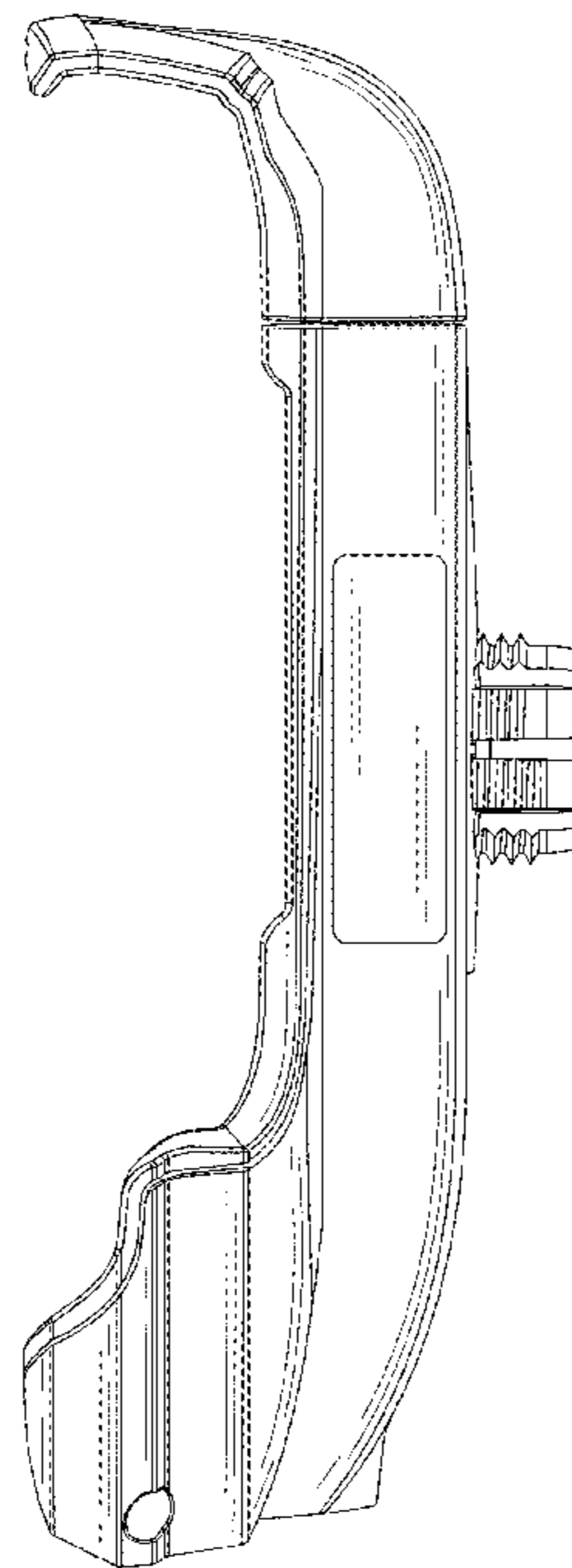
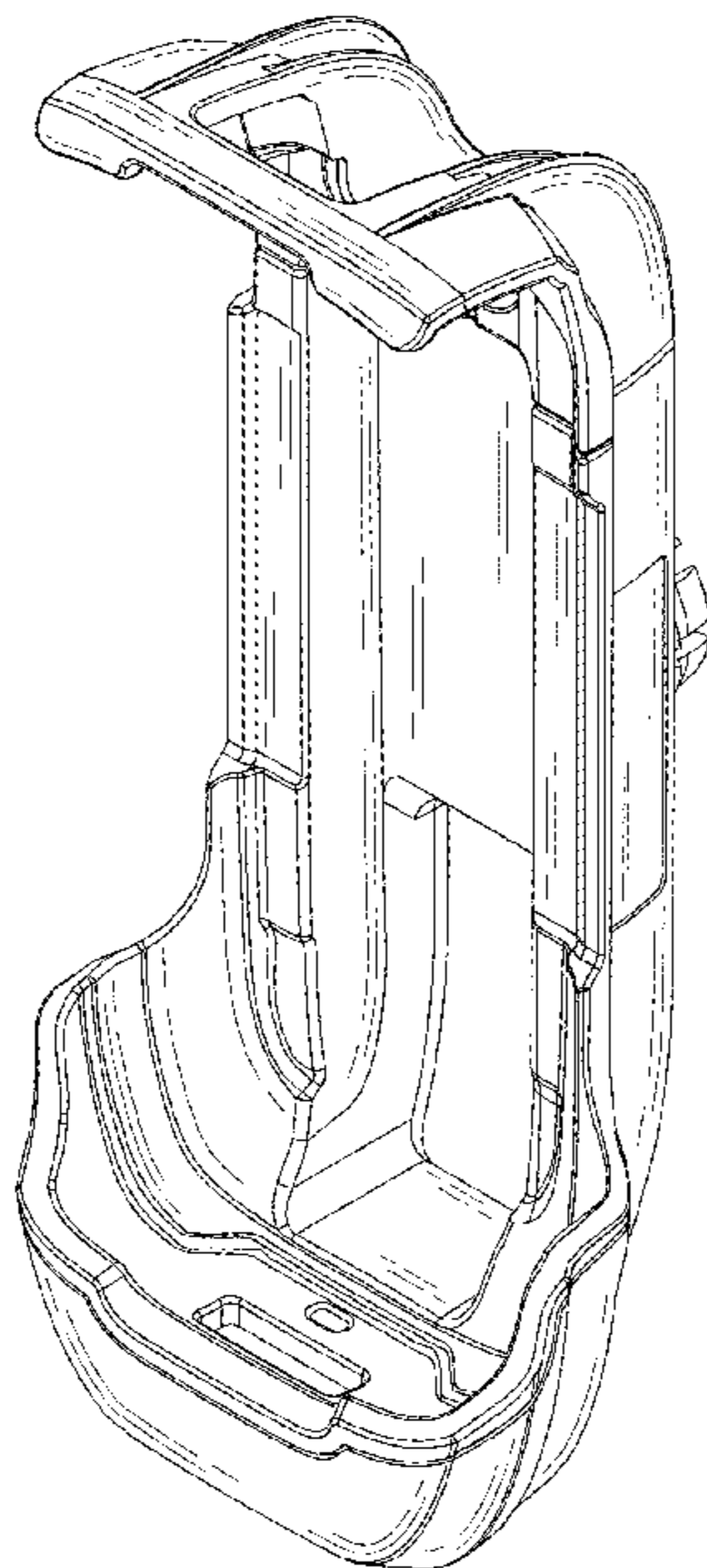
(57) **CLAIM**

The ornamental design for a stand for electronic device, as shown.

DESCRIPTION

FIG. 1 is a perspective view of a stand for electronic device showing my new design;
FIG. 2 is a front elevational view thereof;
FIG. 3 is a rear elevational view thereof;
FIG. 4 is a left side elevational view thereof;
FIG. 5 is a right side elevational view thereof;
FIG. 6 is a top plan view thereof; and,
FIG. 7 is a bottom plan view thereof.

1 Claim, 6 Drawing Sheets



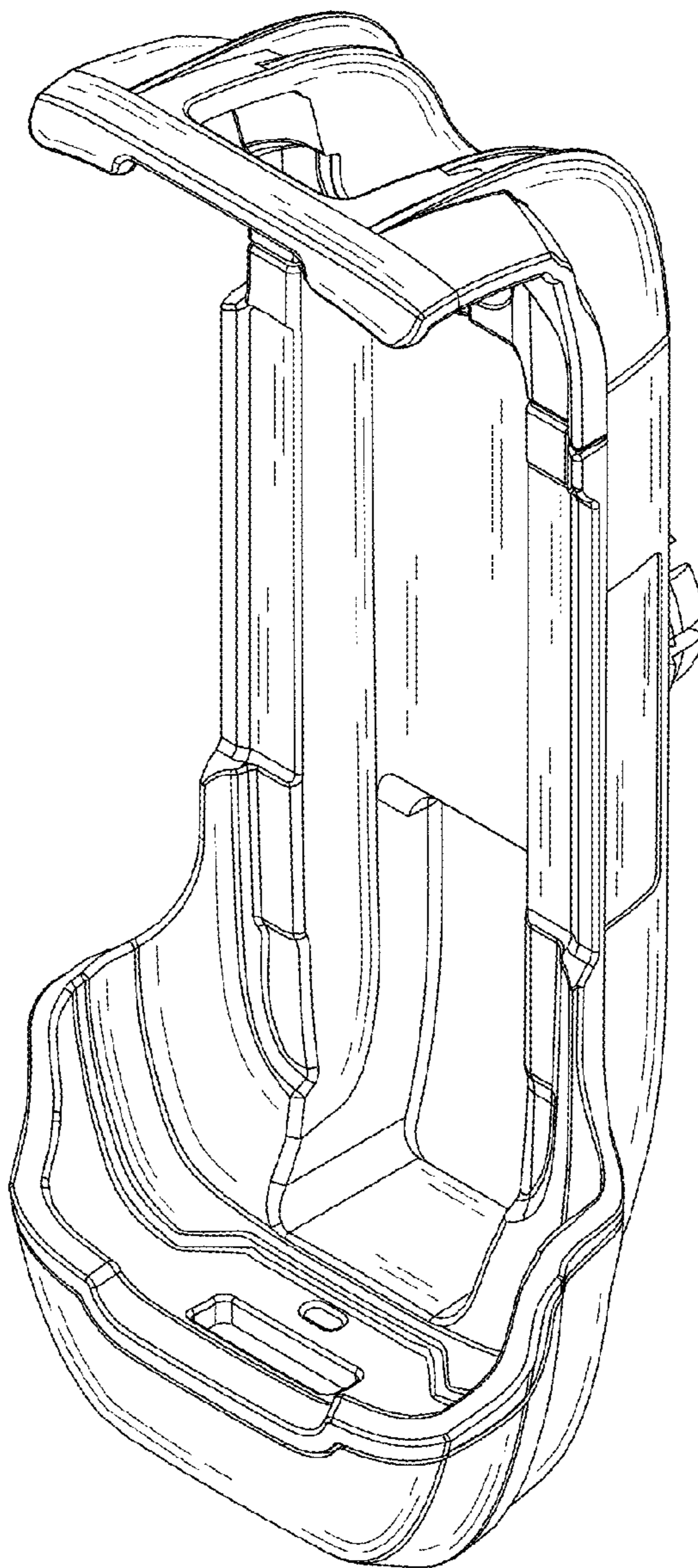


FIG. 1

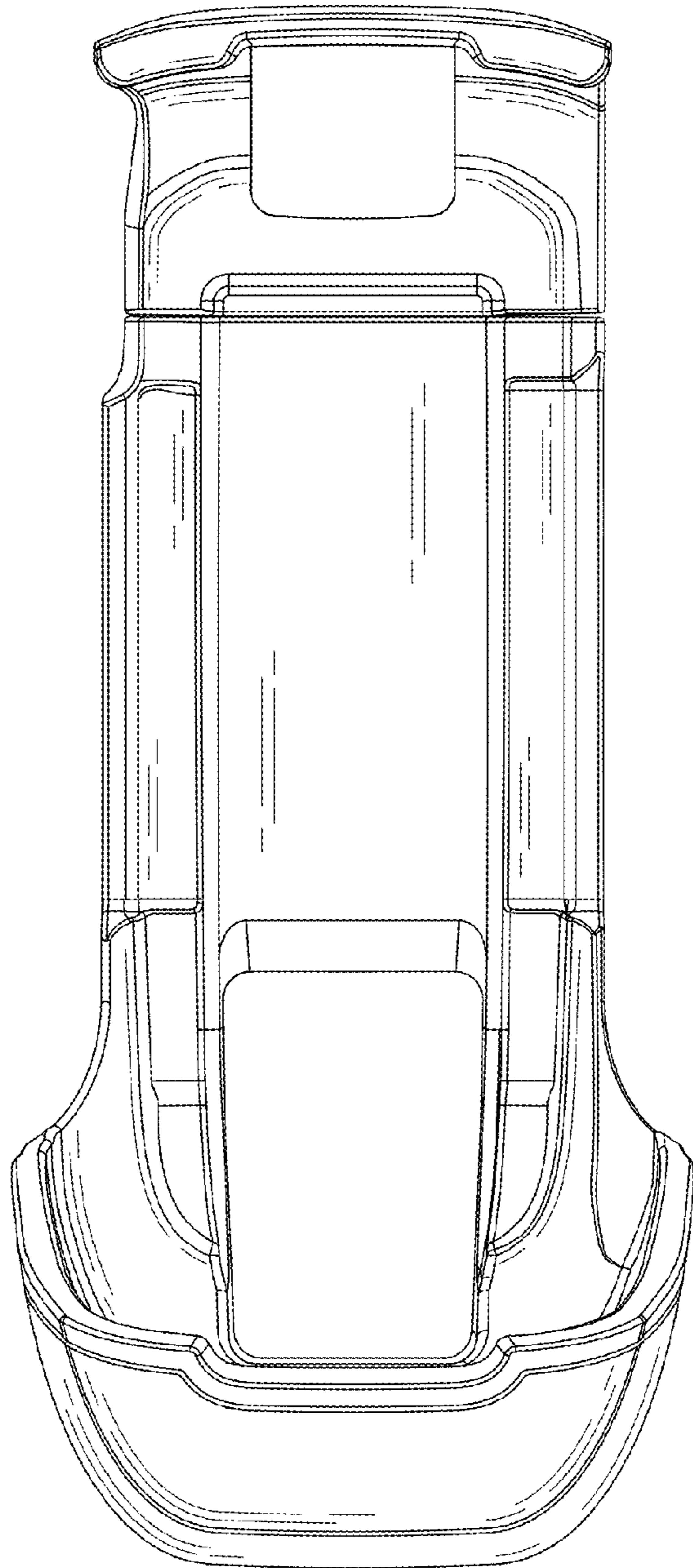


FIG. 2

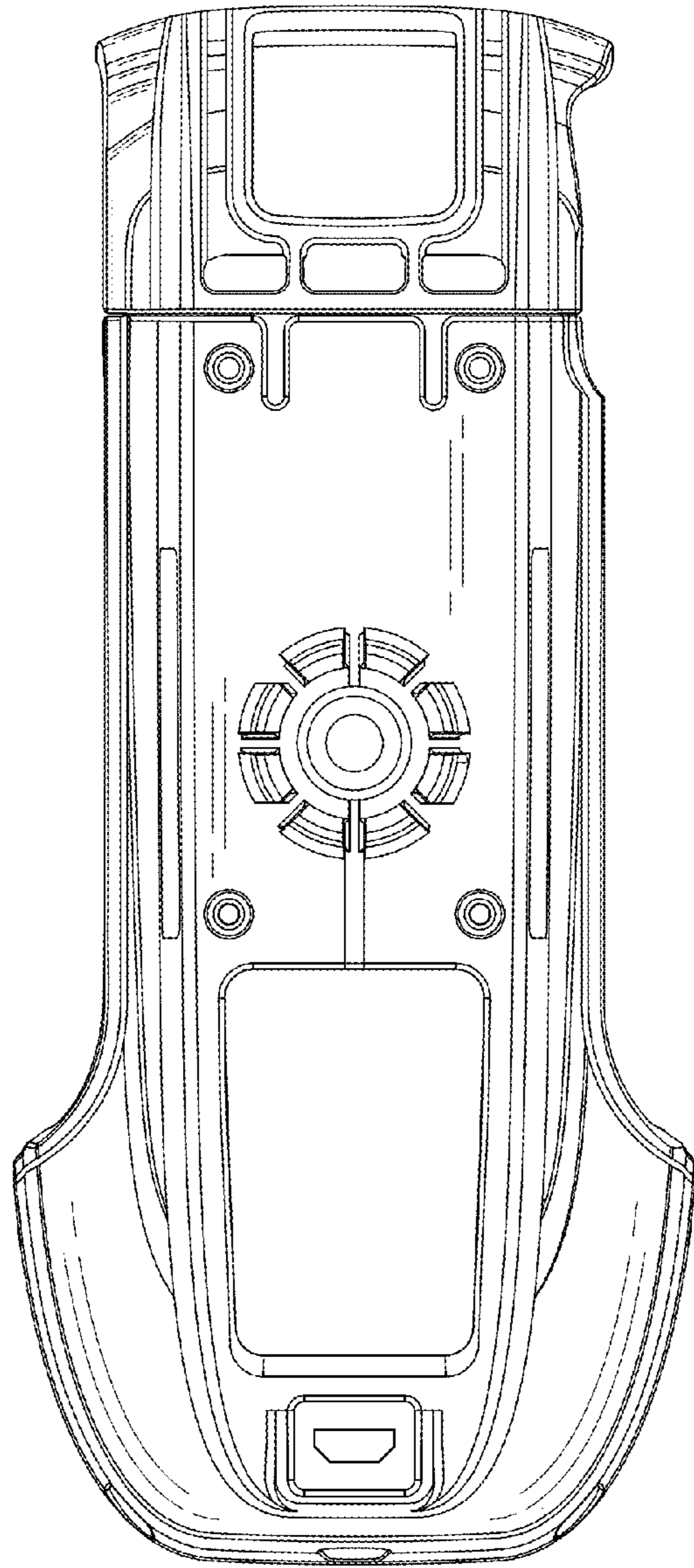


FIG. 3

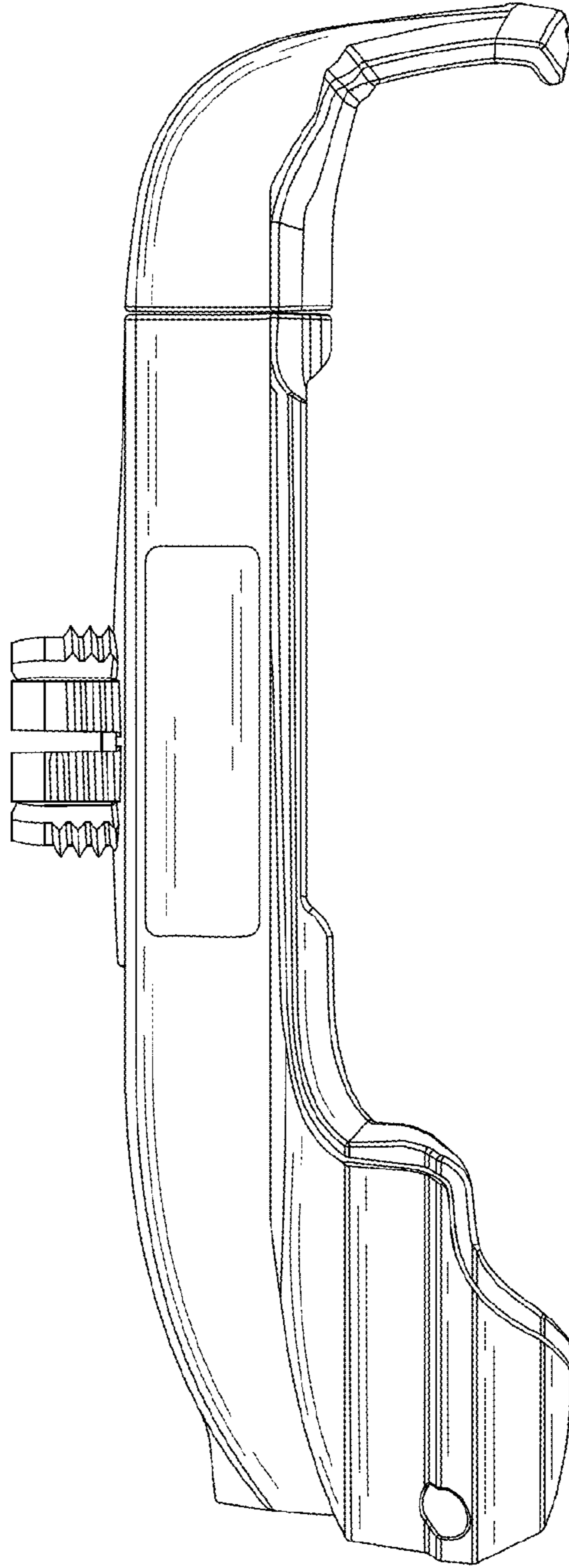


FIG. 4

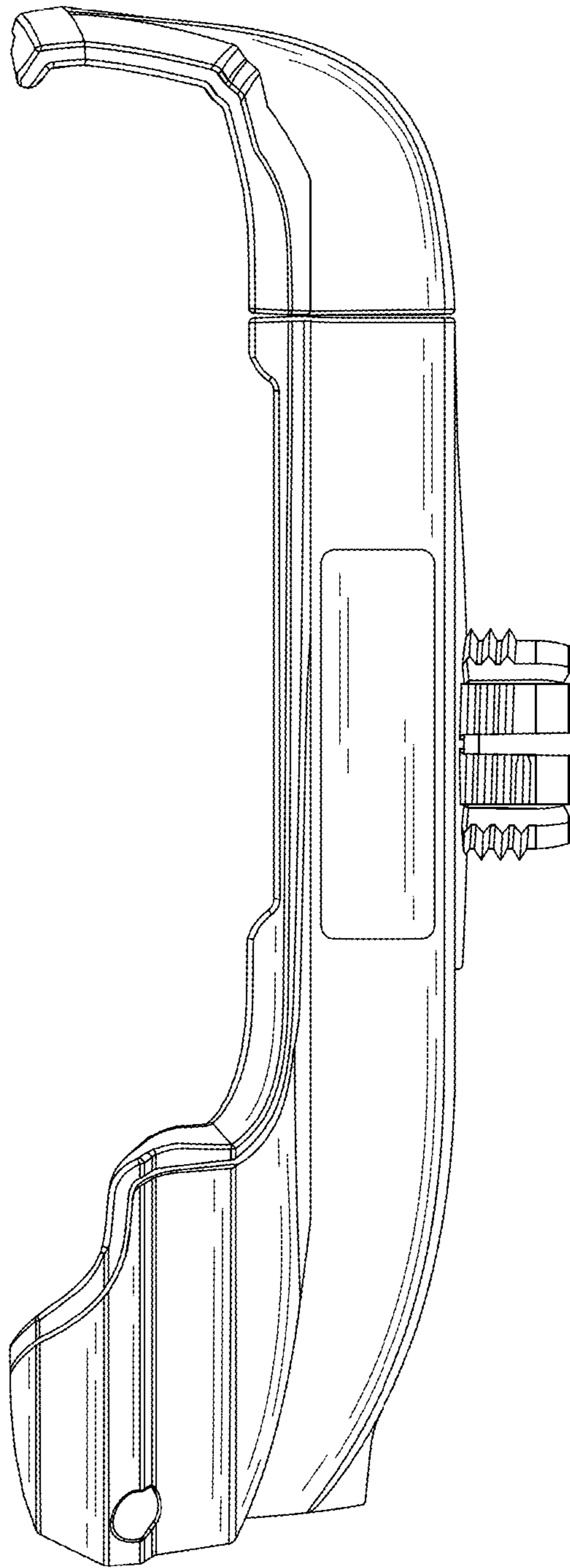


FIG. 5

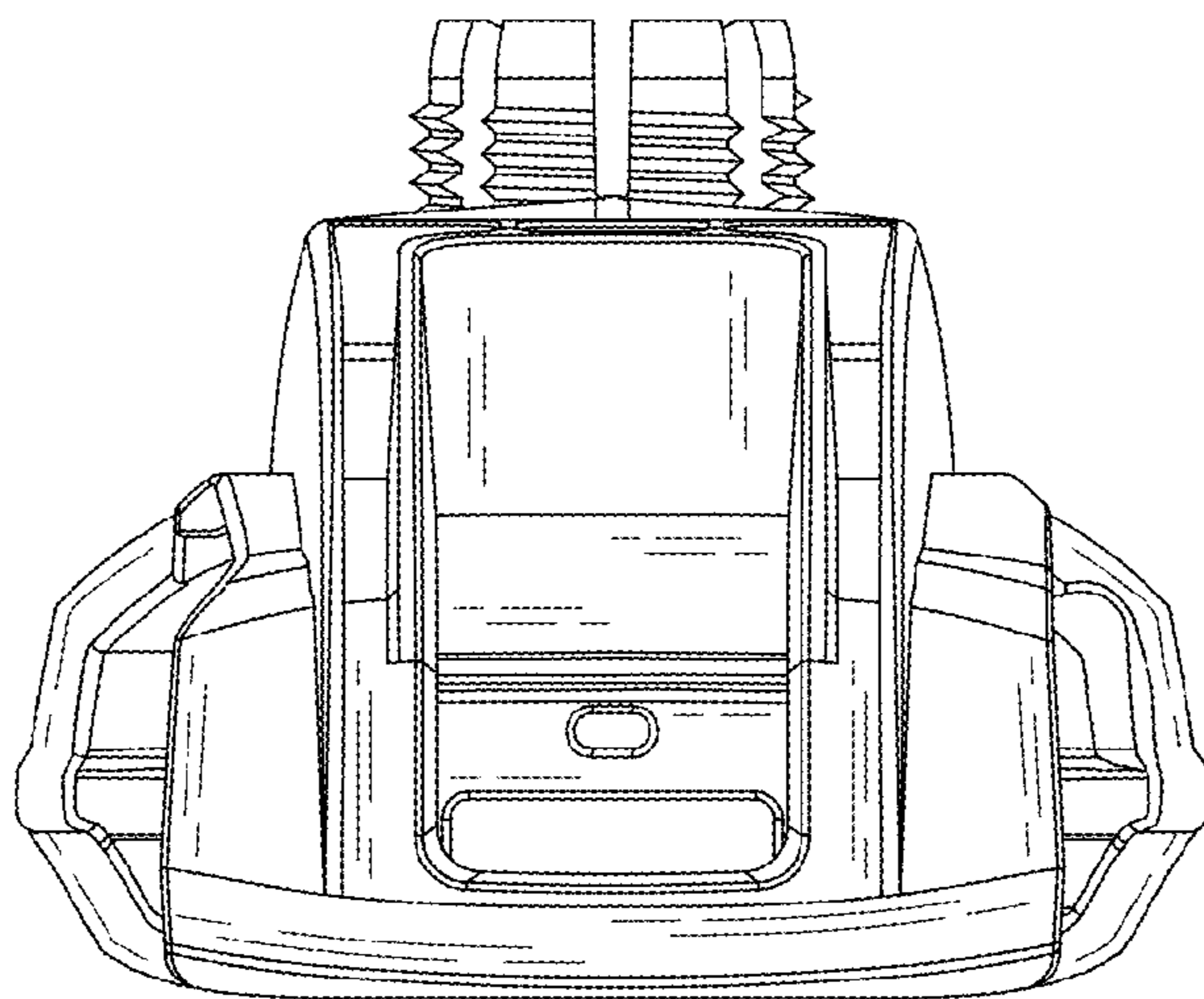


FIG. 6

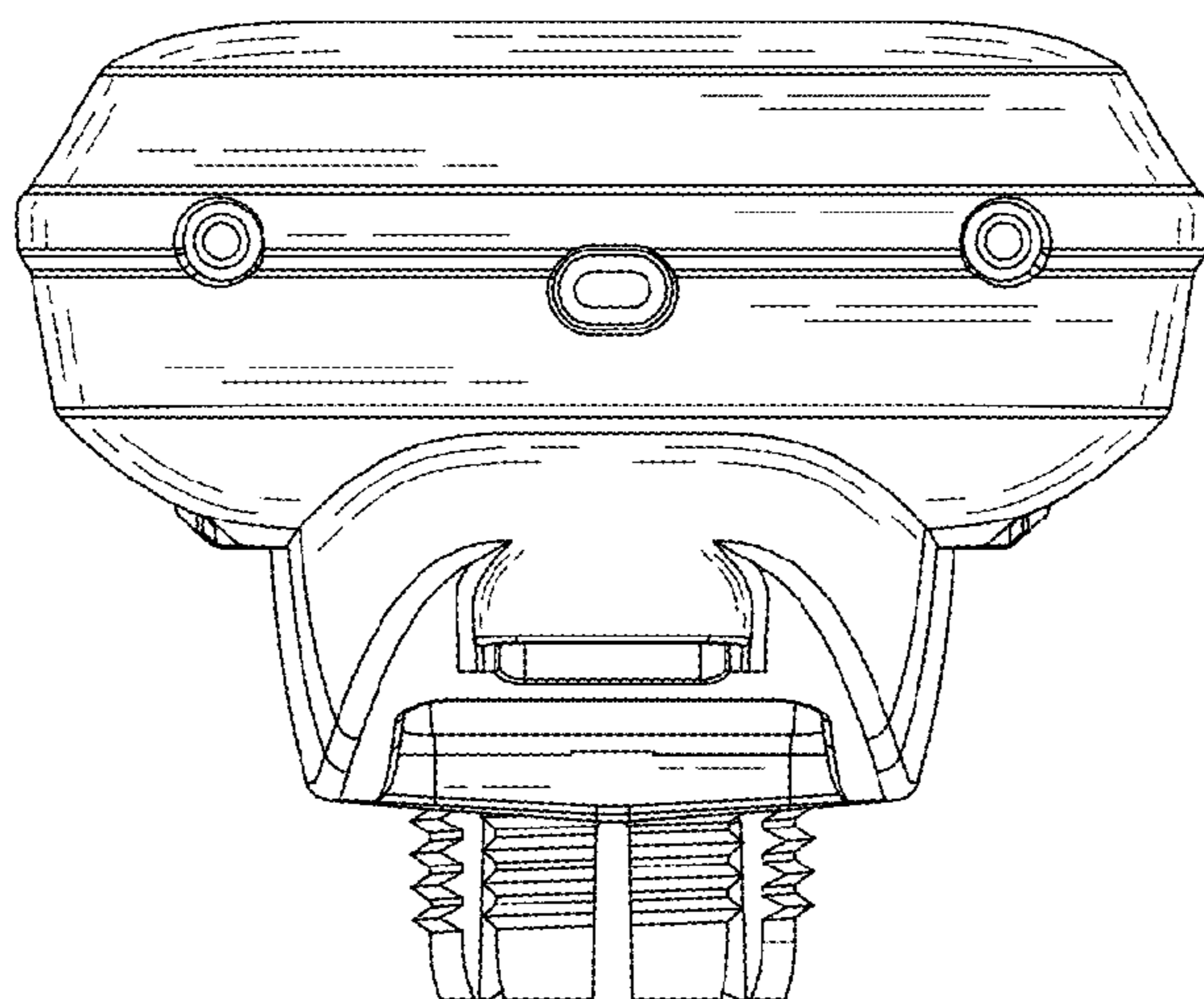


FIG. 7