



US00D707671S

(12) **United States Design Patent**
Paugh et al.

(10) **Patent No.:** **US D707,671 S**
(45) **Date of Patent:** **** Jun. 24, 2014**

(54) **PHONE RETRACTOR CARRYING CASE**

(71) Applicant: **West Coast Chain Mfg. Co.**, Ontario,
CA (US)

(72) Inventors: **Boake Paugh**, Rancho Cucamonga, CA
(US); **Joshua R. Buessler**, Seattle, WA
(US)

(73) Assignee: **West Coast Chain Mfg. Co.**, Ontario,
CA (US)

(**) Term: **14 Years**

(21) Appl. No.: **29/441,344**

(22) Filed: **Jan. 3, 2013**

Related U.S. Application Data

(63) Continuation of application No. 13/725,744, filed on
Dec. 21, 2012.

(51) **LOC (10) Cl.** **14-03**

(52) **U.S. Cl.**
USPC **D14/250**

(58) **Field of Classification Search**
USPC D14/250, 248, 247, 480.7, 496, 346,
D14/253; D3/247, 273, 303; D13/107, 108;
224/162; 84/320, 322; D17/20
See application file for complete search history.

(56) **References Cited**

U.S. PATENT DOCUMENTS

D359,616 S	6/1995	Ishibashi et al.	
D369,465 S	5/1996	Scheid et al.	
D389,518 S *	1/1998	Reichmann	D19/36
D389,674 S *	1/1998	Muller	D6/482
D438,313 S *	2/2001	Tam	D26/37
D495,584 S *	9/2004	Su	D8/347
D549,709 S	8/2007	Richter	
D550,455 S *	9/2007	Barnhart	D3/247
D556,681 S *	12/2007	Kim	D13/103

D556,946 S *	12/2007	Seum et al.	D28/8.1
D566,590 S	4/2008	Stevens et al.	
D585,677 S *	2/2009	Zhang	D6/501
D592,188 S	5/2009	Huang	
D609,975 S *	2/2010	Wolhendler	D7/584
D614,613 S	4/2010	Kim et al.	
D616,430 S *	5/2010	Fathollahi	D14/250
D621,180 S	8/2010	Barabas et al.	
D629,193 S	12/2010	Liu	
D634,947 S	3/2011	Barabas et al.	
D640,707 S	6/2011	Yeh	

(Continued)

Primary Examiner — Thomas Johannes

Assistant Examiner — Chelsea Sealey

(74) *Attorney, Agent, or Firm* — Christie, Parker & Hale,
LLP

(57) **CLAIM**

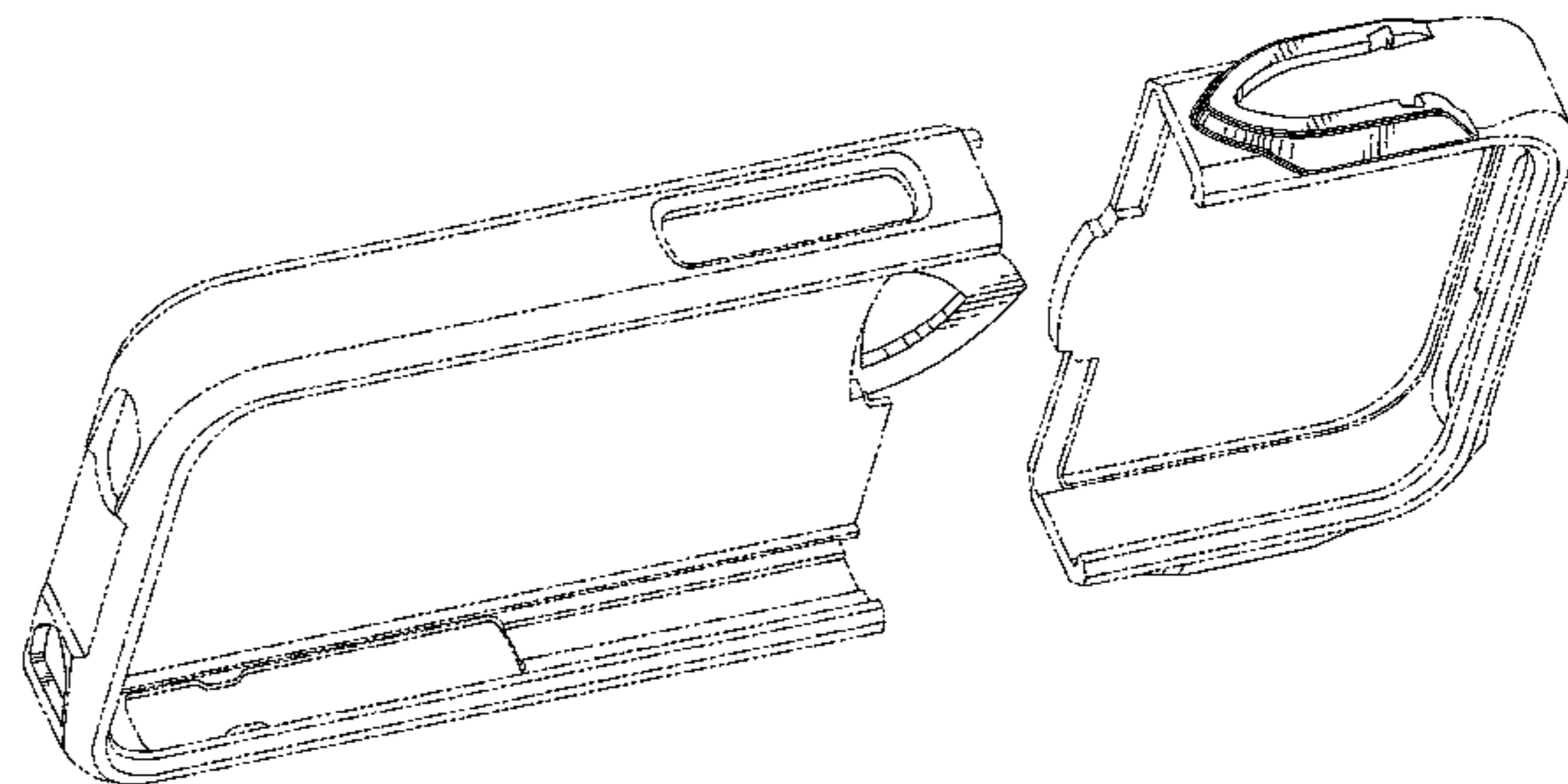
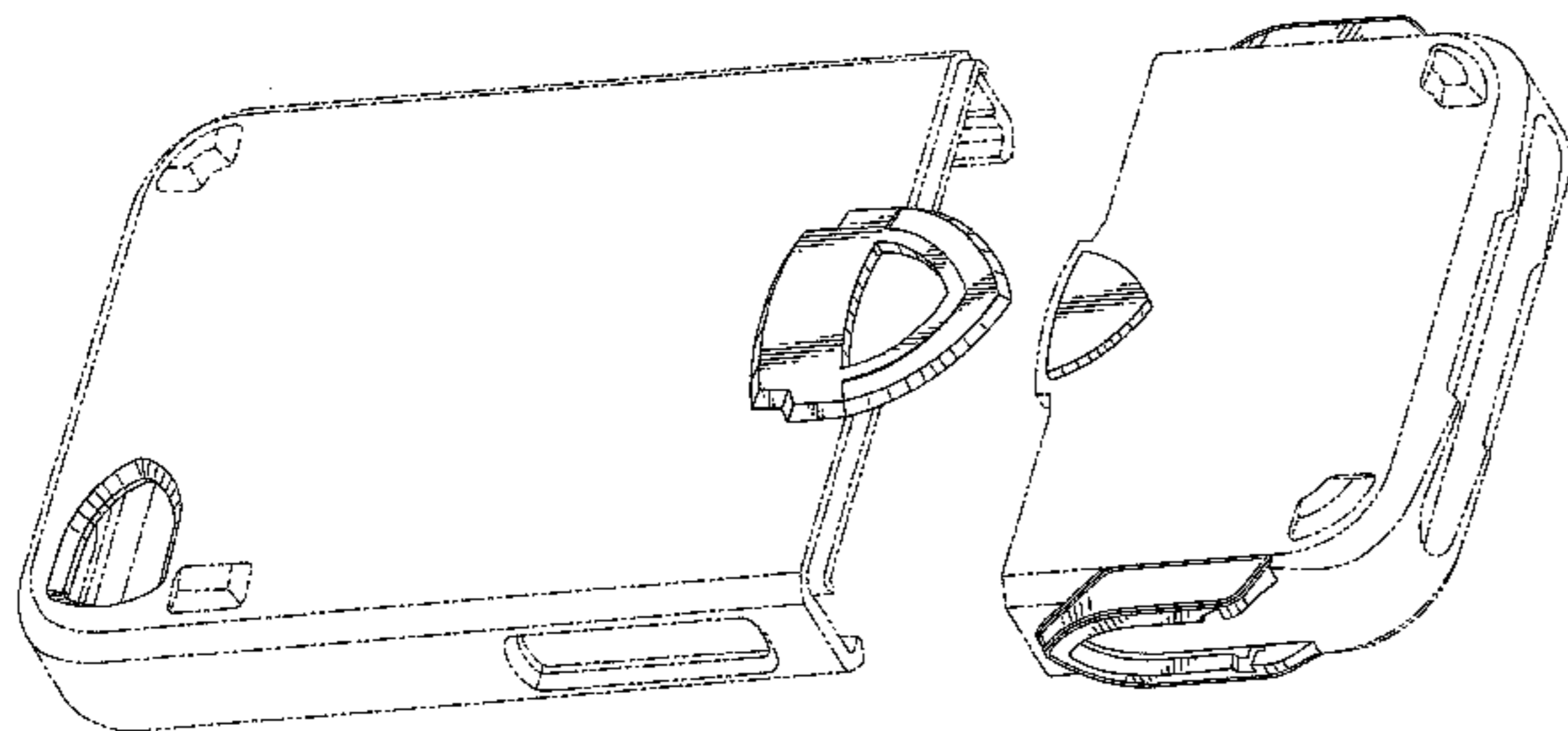
The ornamental design for a phone retractor carrying case, as
shown and described.

DESCRIPTION

FIG. 1 is a rear perspective view of a phone retractor carrying
case showing our new design;
FIG. 2 is a front perspective view thereof;
FIG. 3 is a rear perspective view of a phone retractor carrying
case, without the unclaimed holster portion;
FIG. 4 is a front perspective view thereof;
FIG. 5 is a an exploded back perspective view thereof;
FIG. 6 is an exploded front perspective view thereof;
FIG. 7 is a back view thereof;
FIG. 8 is a front view thereof;
FIG. 9 is a left side view thereof;
FIG. 10 is a right side view thereof;
FIG. 11 is a bottom view thereof; and,
FIG. 12 is a top view thereof.

The broken line portion of the figure drawings is included to
show unclaimed subject matter only and forms no part of the
claimed design.

1 Claim, 11 Drawing Sheets



(56)

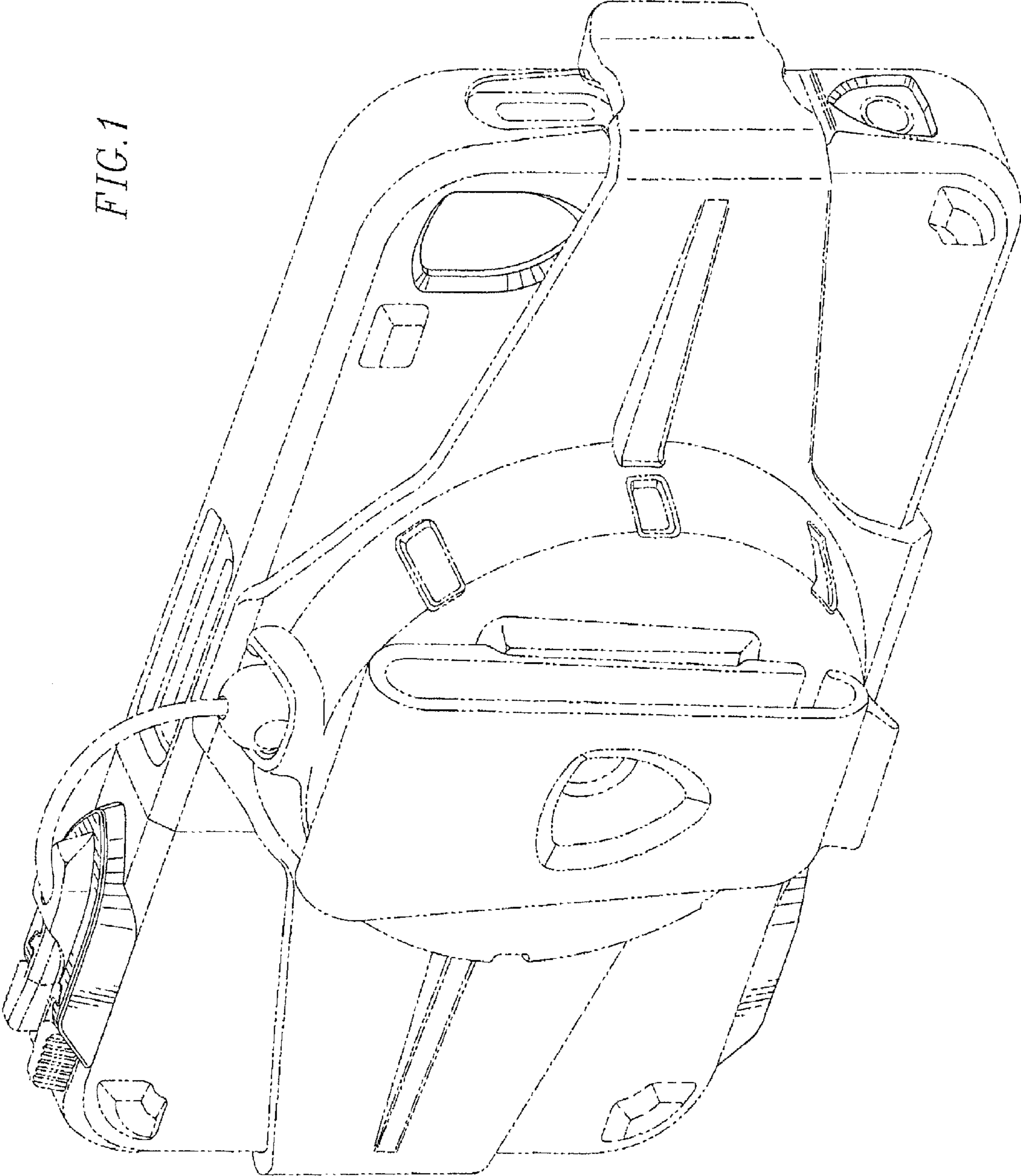
References Cited

U.S. PATENT DOCUMENTS

D641,610 S	7/2011	Sedalo	
D645,033 S	9/2011	Quong et al.	
D646,315 S	10/2011	Orf	
D650,372 S	12/2011	Molter	
D650,774 S	12/2011	Molter	
D651,685 S *	1/2012	Honzelka	D23/207
D653,202 S *	1/2012	Hasbrook et al.	D13/103
D654,119 S	2/2012	Lin	
D654,120 S	2/2012	Lin	
D658,165 S *	4/2012	Freeman	D14/250
D661,482 S	6/2012	Chang et al.	
D661,483 S	6/2012	Weller et al.	
D661,726 S *	6/2012	Goble	D17/20
D669,459 S	10/2012	Kim	
D669,481 S	10/2012	Prescott et al.	
D669,890 S	10/2012	Hopkins et al.	
D674,397 S	1/2013	Asher	
D676,032 S *	2/2013	Stump et al.	D14/250
D676,432 S *	2/2013	Hasbrook et al.	D14/250
D683,955 S	6/2013	Melanson et al.	
D689,852 S *	9/2013	Azoulay	D14/250
D691,636 S *	10/2013	Bunton	D14/496
2012/0170212 A1	7/2012	Gallouzi et al.	

* cited by examiner

FIG. 1



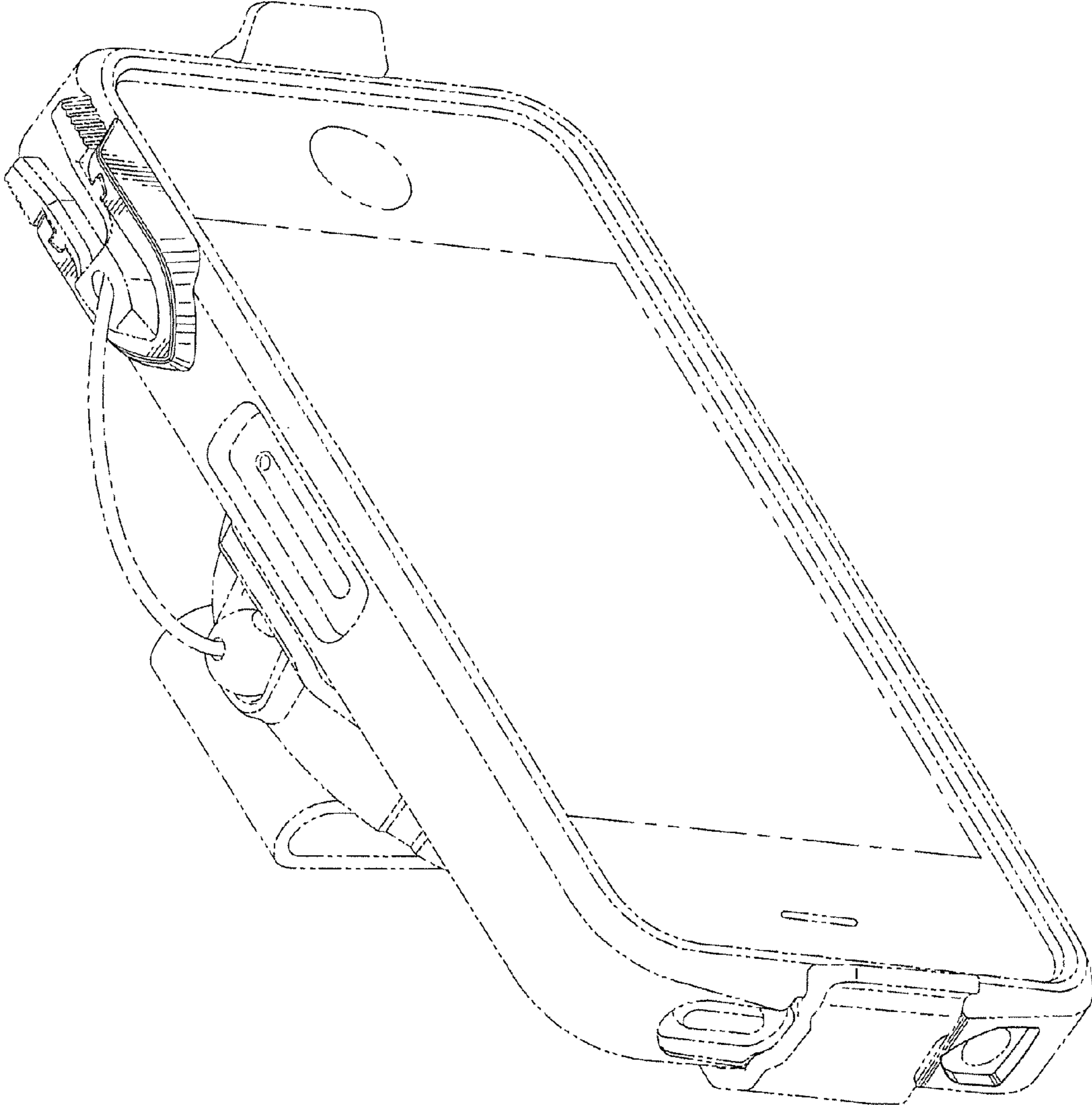
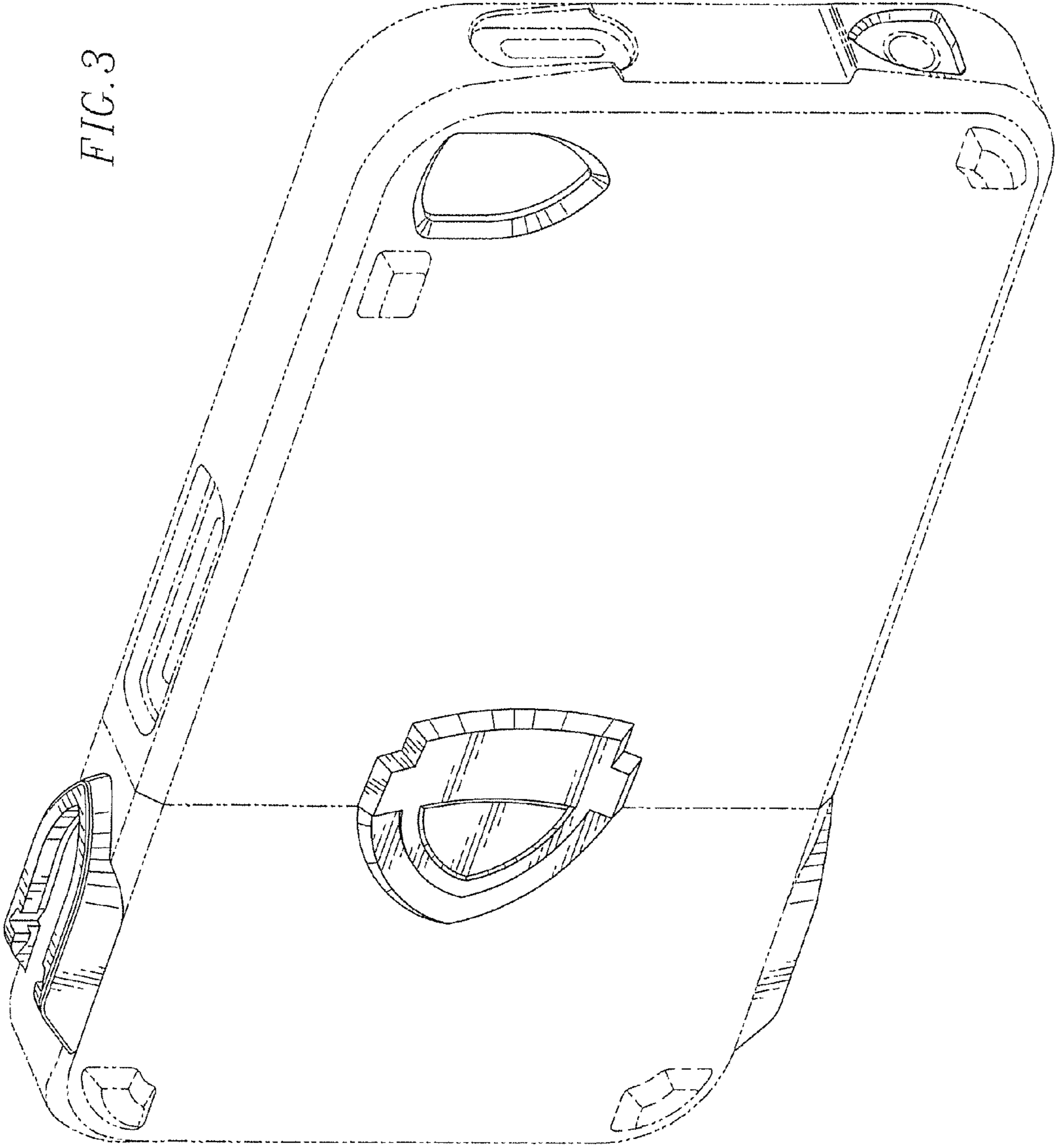


FIG. 2

FIG. 3



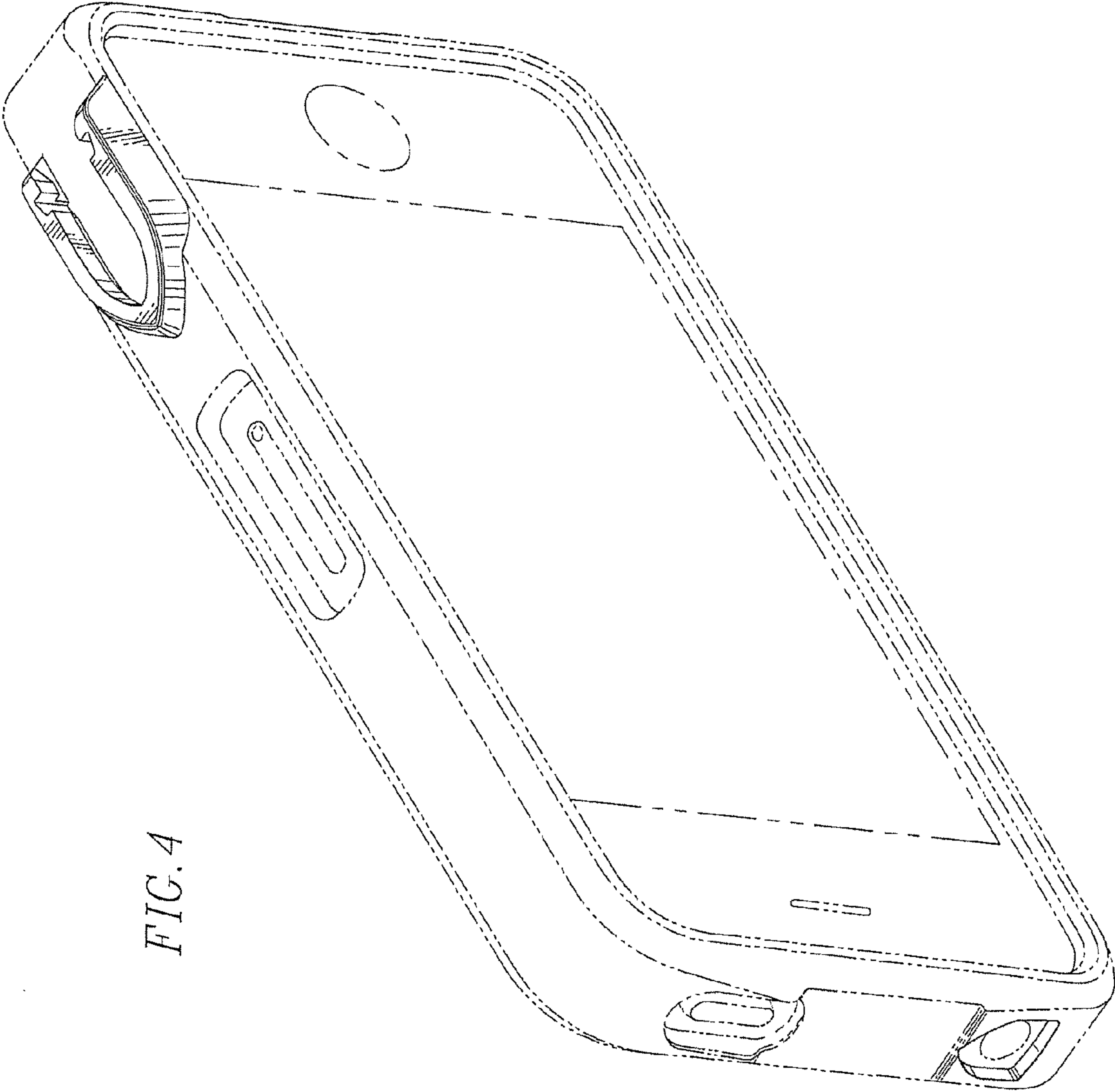


FIG. 4

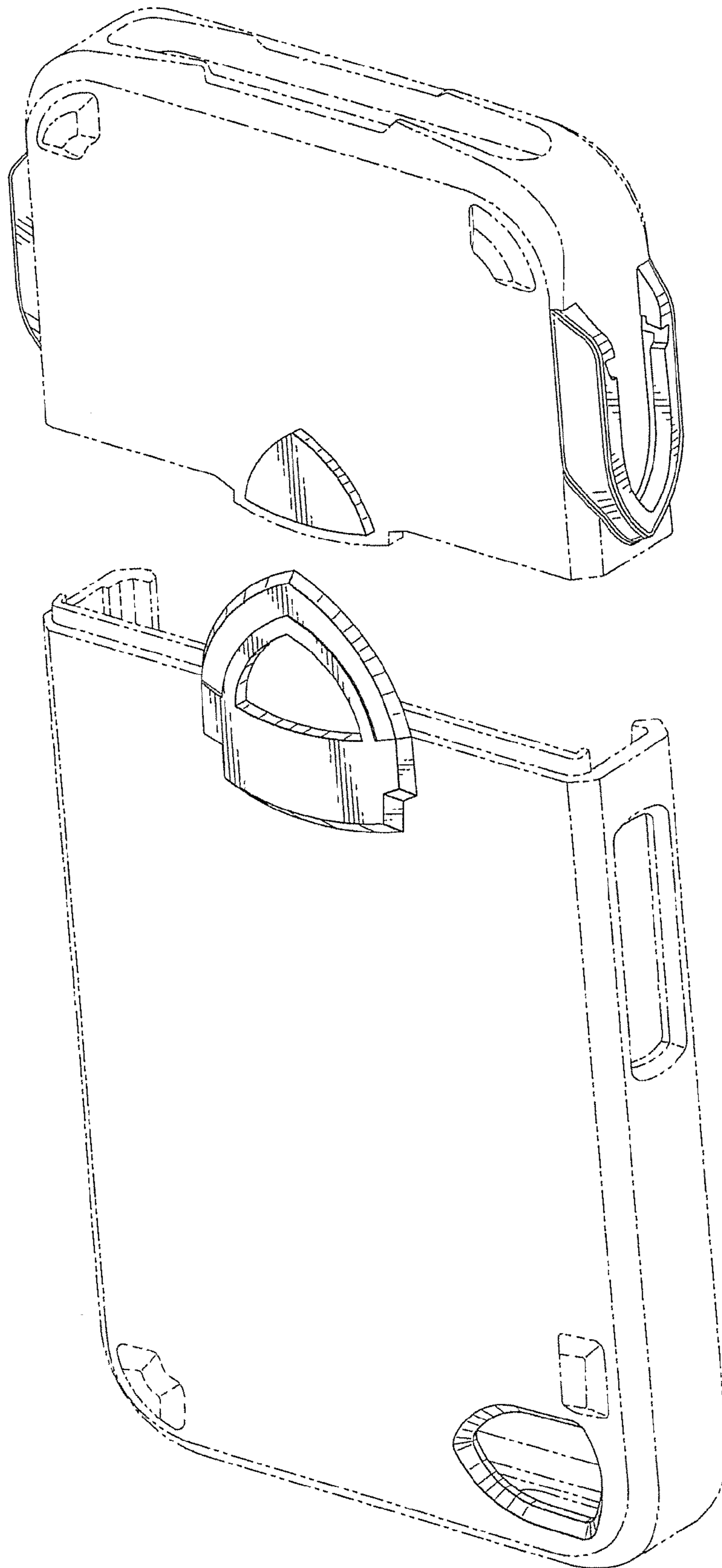


FIG. 5

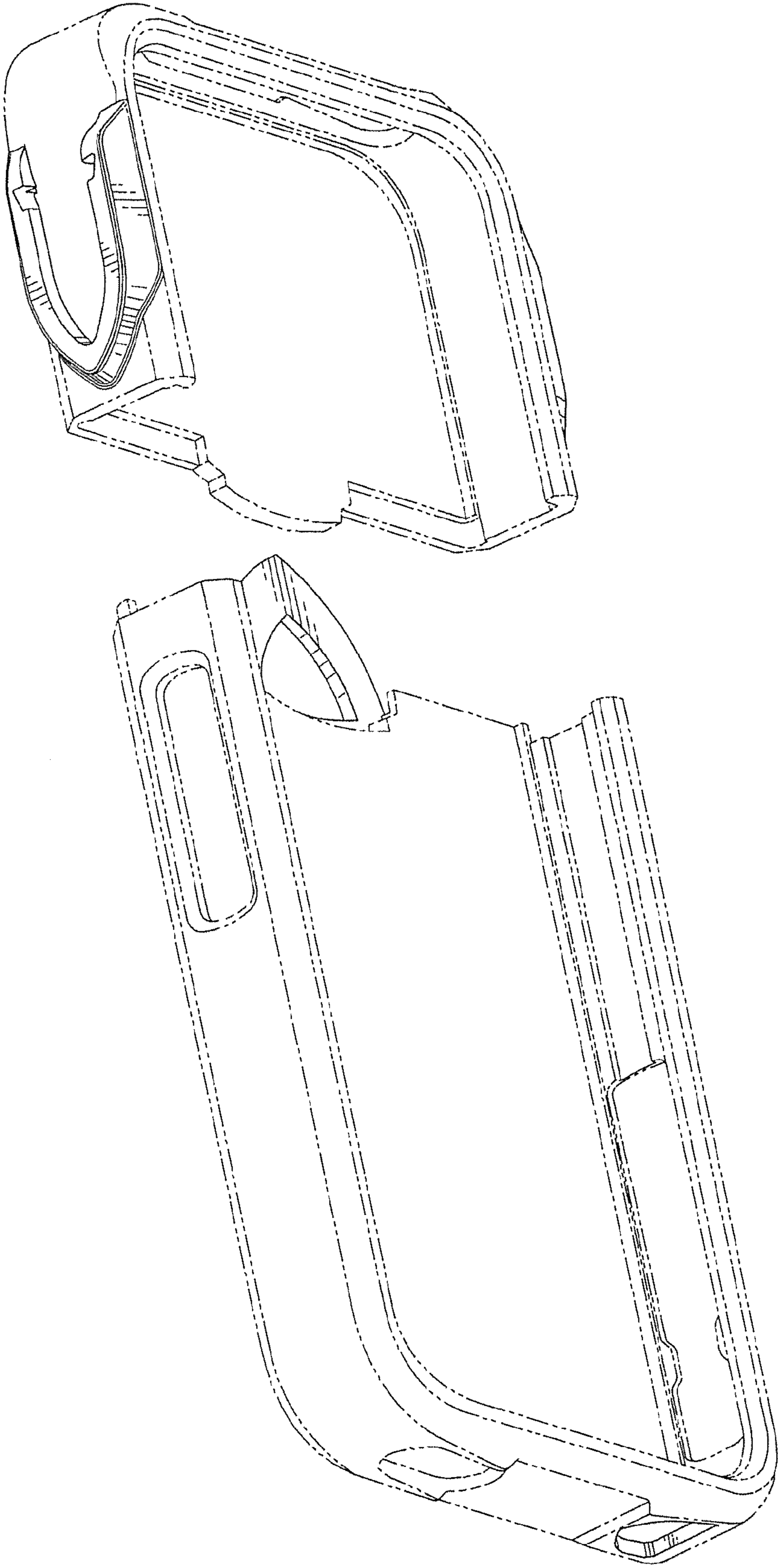


FIG. 6

FIG. 7

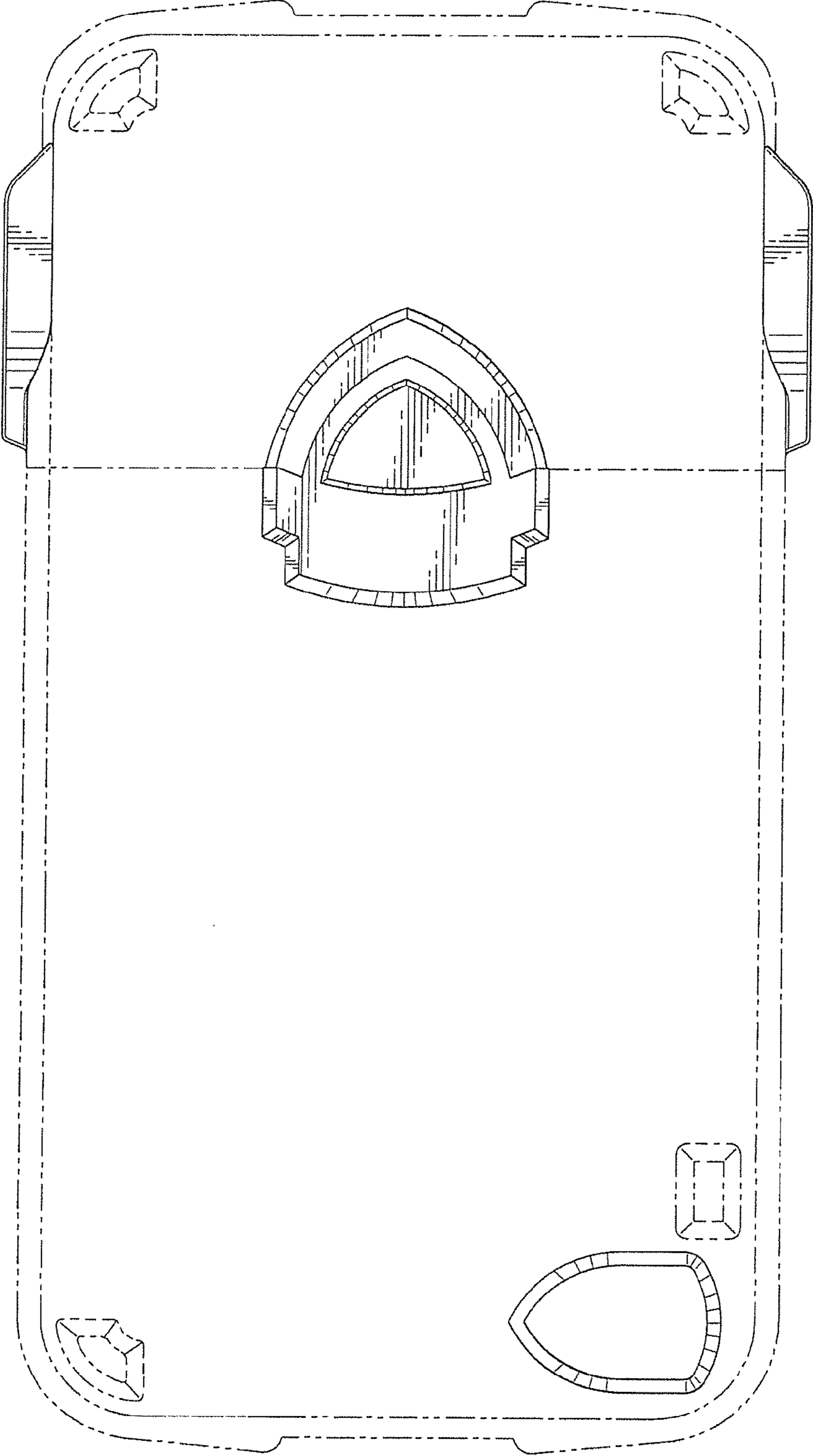


FIG. 8

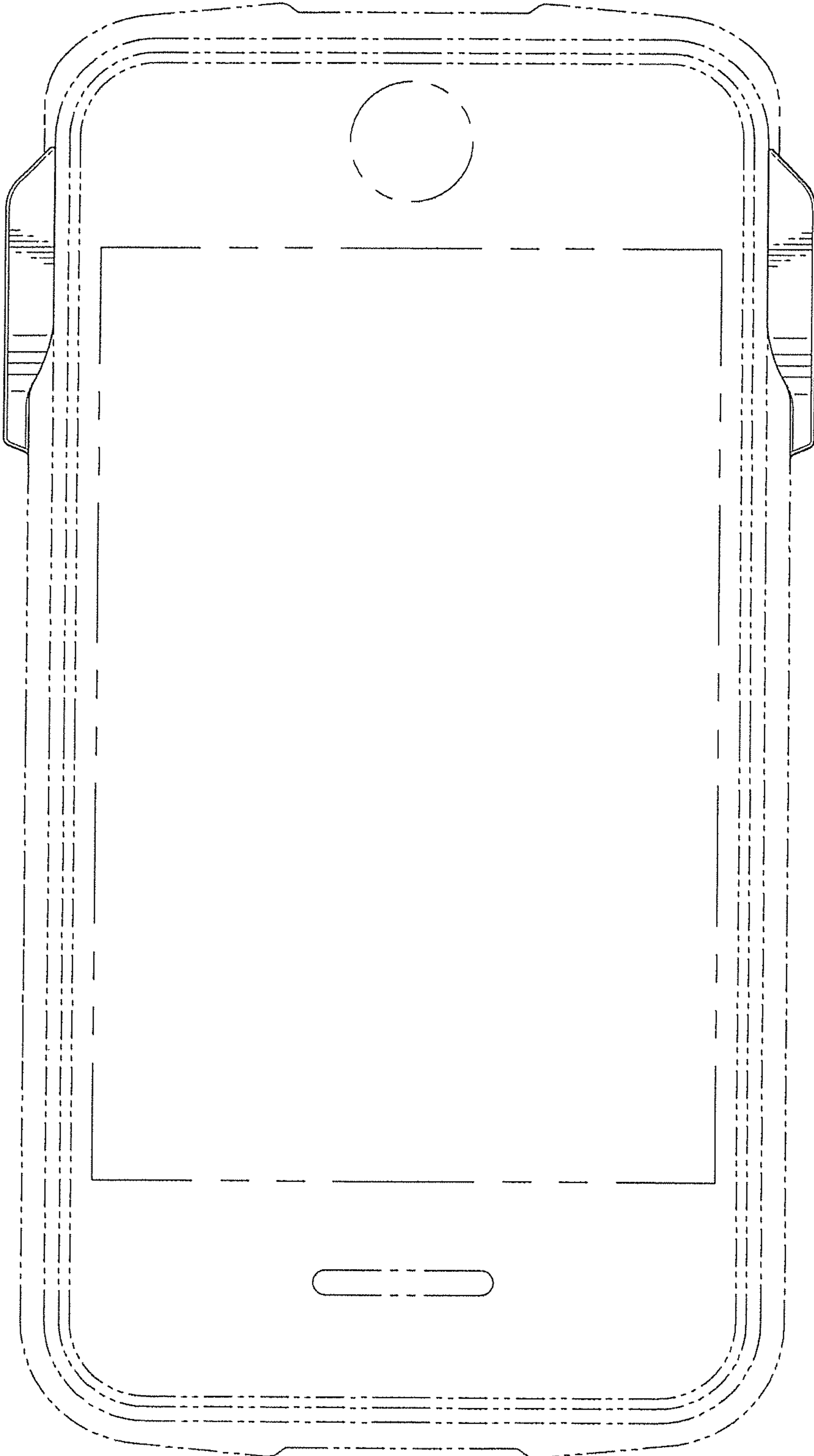


FIG. 9

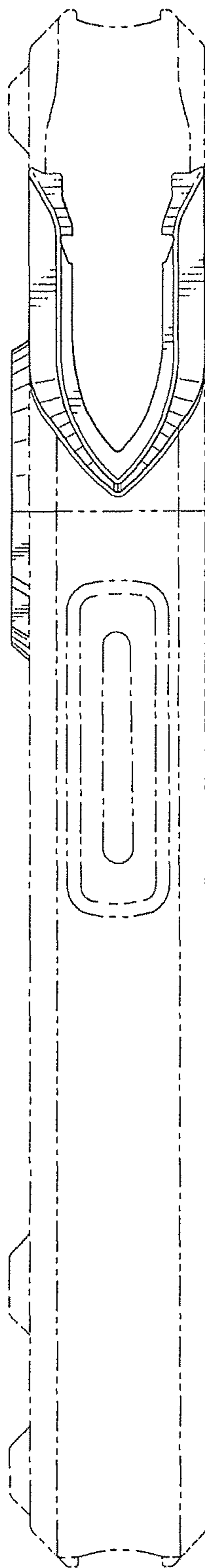


FIG. 10

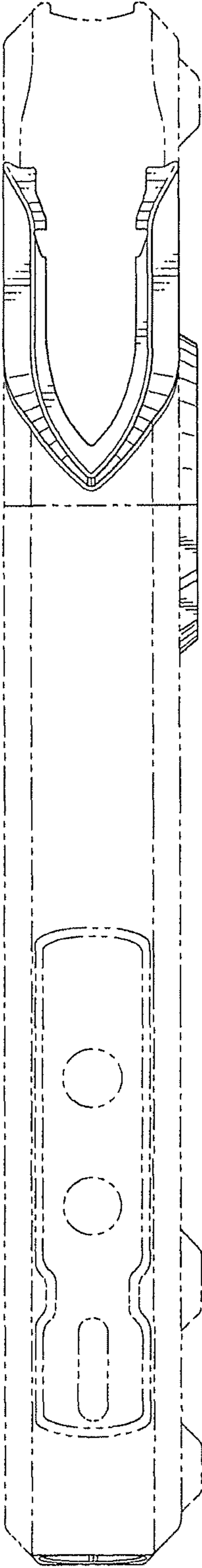


FIG. 12

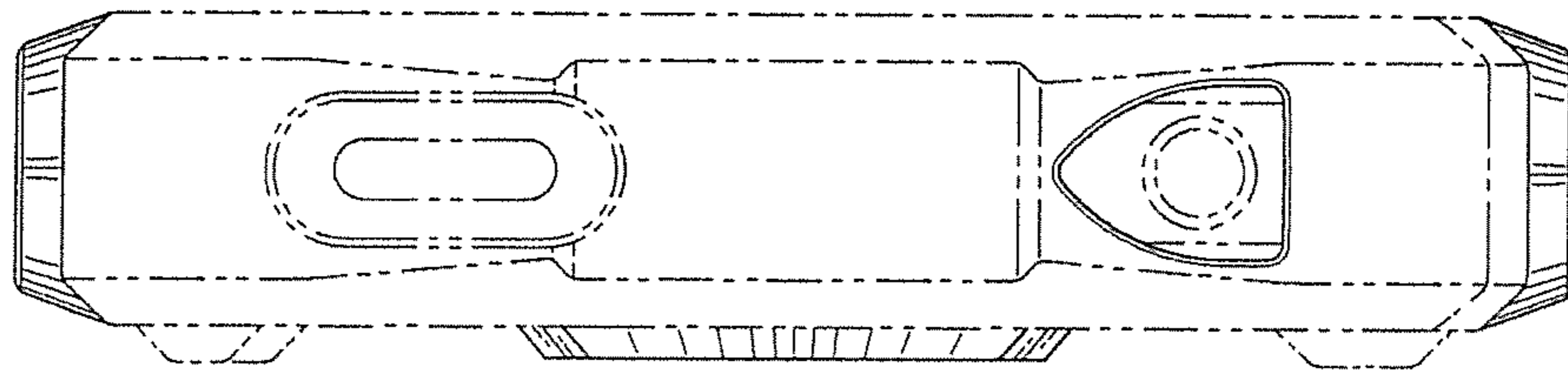


FIG. 11

