



US00D707669S

(12) **United States Design Patent**
Guzman

(10) **Patent No.:** **US D707,669 S**
(45) **Date of Patent:** **** Jun. 24, 2014**

(54) **CELLULAR TELEPHONE CASE
INCORPORATING ROTATING CAMERA
LENS**

8,593,745 B2 * 11/2013 O'Neill 359/827

(Continued)

(76) Inventor: **Jayson Guzman**, Orange, CA (US)

(**) Term: **14 Years**

(21) Appl. No.: **29/423,522**

(22) Filed: **Jun. 1, 2012**

(51) **LOC (10) Cl.** **14-03**

(52) **U.S. Cl.**

USPC **D14/250**

(58) **Field of Classification Search**

USPC D14/250–253, 440, 203.3–203.7, 217,
D14/496, 248, 238.1, 240, 447, 341–347,
D14/444; D13/103, 107–108, 119; D3/201,
D3/218, 247, 269, 273, 301, 303;
248/176.3, 188.8, 309.1, 371, 668;
361/220, 379.01, 679.01, 679.02,
361/679.09, 679.21, 679.25, 679.3, 679.4,
361/679.56, 679.57, 759, 807, 816;
379/433.11, 451, 455; 455/556.1, 557,
455/566, 575.1, 575.2, 575.8; 206/37, 45.2,
206/305, 320, 216; 320/108, 115; 429/96;
220/4.02; 150/165; 174/50; 235/41,
235/375, 462; 312/223.1; 396/535

See application file for complete search history.

(56) **References Cited**

U.S. PATENT DOCUMENTS

D517,038 S * 3/2006 Lee et al. D14/138 AD
D560,911 S * 2/2008 Hackbart et al. D3/273
D622,692 S * 8/2010 McWilliam et al. D14/138 G
D624,115 S * 9/2010 Ausems et al. D18/4.6
D639,052 S * 6/2011 Fathollahi D3/269
D645,032 S * 9/2011 Fathollahi D14/250
D667,823 S * 9/2012 Merenda D14/250
D676,032 S * 2/2013 Stump et al. D14/250
D678,379 S * 3/2013 O'Neill et al. D16/134
D686,265 S * 7/2013 O'Neill et al. D16/134
D686,605 S * 7/2013 Palmeri D14/250
8,577,412 B1 * 11/2013 Bishop 455/556.1

OTHER PUBLICATIONS

Aluminum iPhone 4S Case with Integrated Phone Lenses, posted on Nov. 22, 2011, <URL:http://gadgetsin.com/aluminum-iphone-4s-case-with-integrated-phone-lenses.htm>, retrieved from internet on Sep. 10, 2012.*

Gizmon iCA: a Leica inspired case for iPhone 4/4s, published on Jan. 1, 2012, <URL:http://leicarumors.com/2012/01/01/gizmon-ica-a-leica-inspired-case-for-iphone-44s.aspx/>, retrieved from internet on Sep. 10, 2012.*

(Continued)

Primary Examiner — Carla Jobe Wright

(74) *Attorney, Agent, or Firm* — David G. Duckworth; Russo & Duckworth, LLP

(57) **CLAIM**

The ornamental design for a cellular telephone case incorporating rotating camera lens, as shown and described.

DESCRIPTION

FIG. 1 is a rear perspective view of the cellular telephone case incorporating rotating camera lens;

FIG. 2 is a rear perspective view of the cellular telephone case incorporating rotating camera lens in use mounted to a tripod;

FIG. 3 is a front perspective view of the cellular telephone case incorporating rotating camera lens;

FIG. 4 is a front perspective view of the cellular telephone case incorporating rotating camera lens of FIG. 3 wherein the rotating lens has been rotated approximately 100°;

FIG. 5 is a front elevation view thereof;

FIG. 6 is a rear elevation view thereof;

FIG. 7 is a right side elevation view thereof;

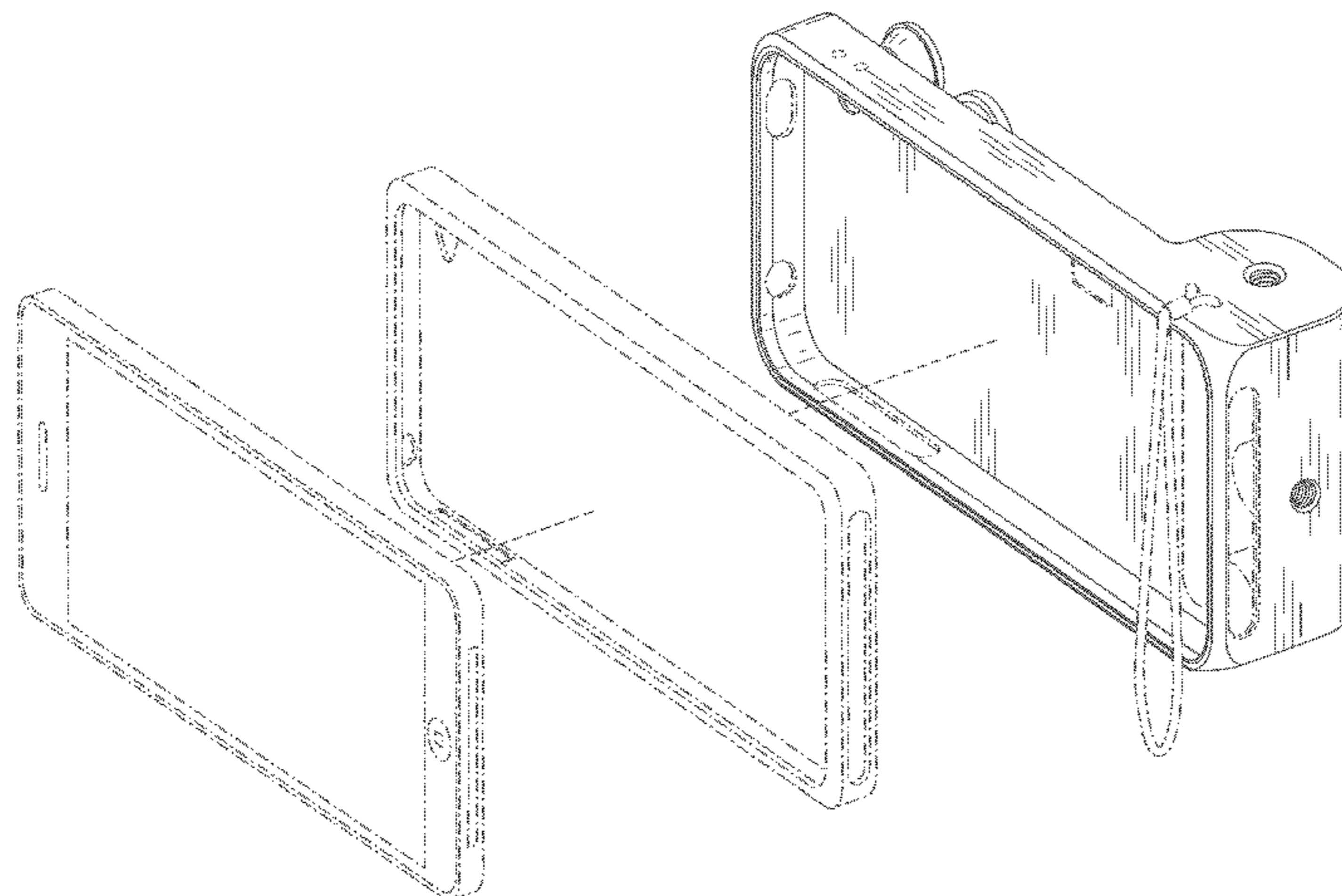
FIG. 8 is a left side elevation view thereof;

FIG. 9 is a top plan view thereof; and,

FIG. 10 is a bottom plan view thereof.

The broken lines immediately adjacent the shaded surfaces represent boundaries of the claimed design. All other broken lines depict unclaimed environment. The broken lines form no part of the claimed design.

1 Claim, 5 Drawing Sheets



(56)

References Cited

U.S. PATENT DOCUMENTS

2009/0181729 A1* 7/2009 Griffin et al. 455/575.1
2010/0321868 A1* 12/2010 Yang et al. 361/679.01
2012/0305424 A1* 12/2012 Sogabe et al. 206/320
2012/0329534 A1* 12/2012 Barnett et al. 455/575.8
2013/0069499 A1* 3/2013 Modrell 312/223.1
2013/0092565 A1* 4/2013 Swope 206/216

2013/0130753 A1* 5/2013 Springer 455/575.1
2013/0267283 A1* 10/2013 Guzman 455/575.1

OTHER PUBLICATIONS

Lens & Filter Turret Special Effect Case for Samsung Galaxy S3, product added to catalogue on Aug. 18, 2012, <URL:http://al-lgalaxytab.com/index.php?main_page=popup_image&pID=1443>, retrieved from internet on Sep. 13, 2012.*

* cited by examiner

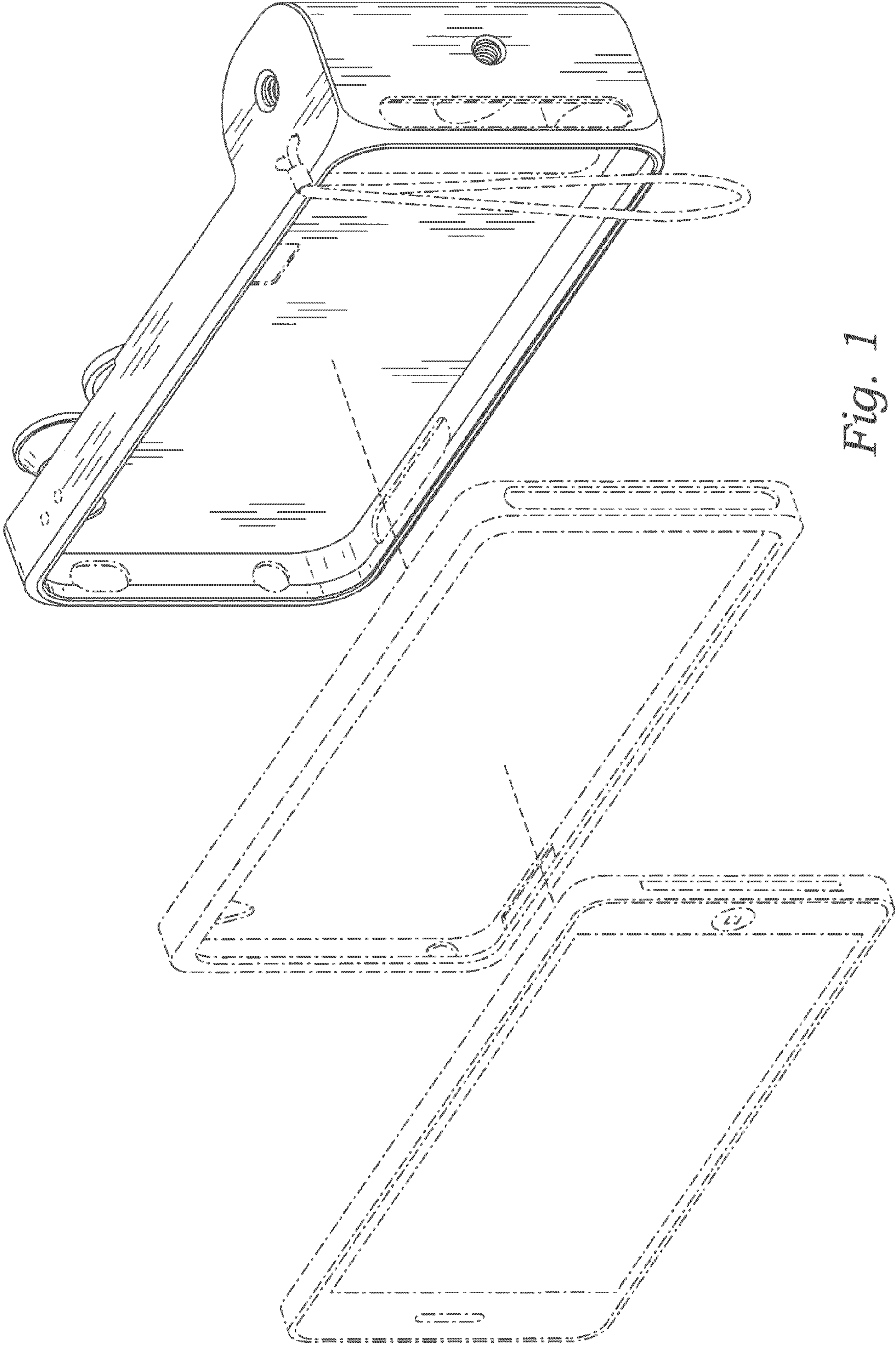


Fig. 1

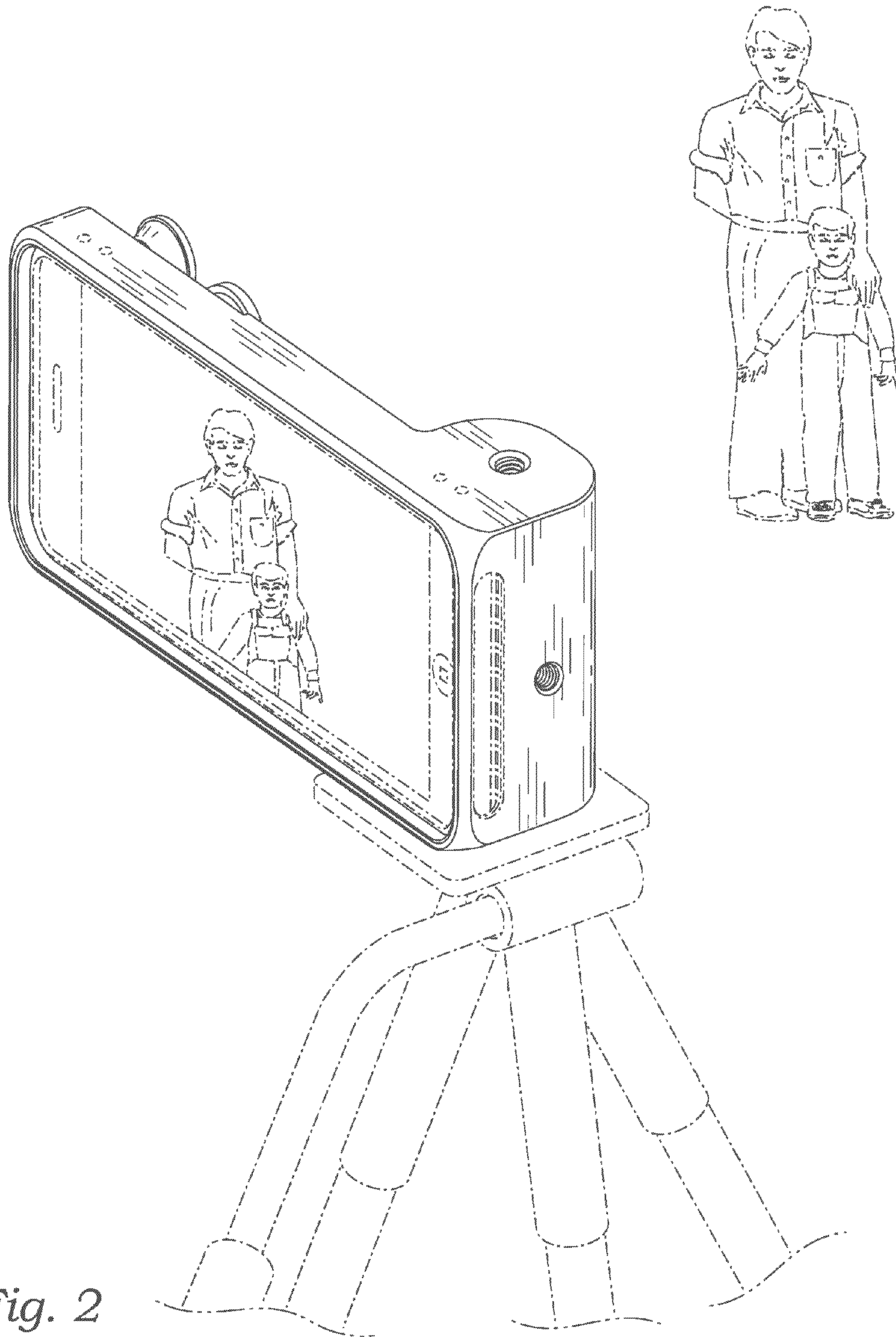


Fig. 2

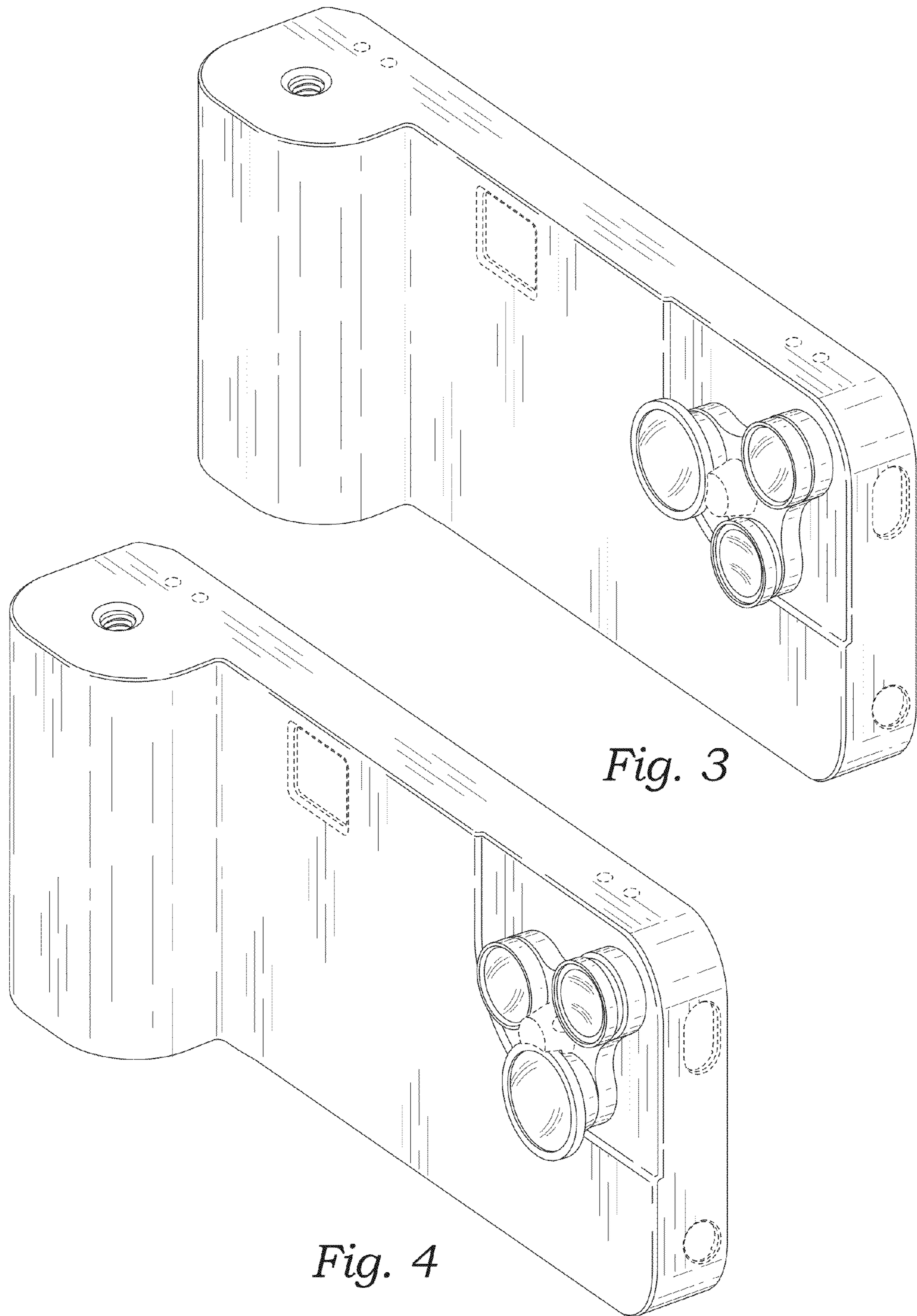


Fig. 3

Fig. 4

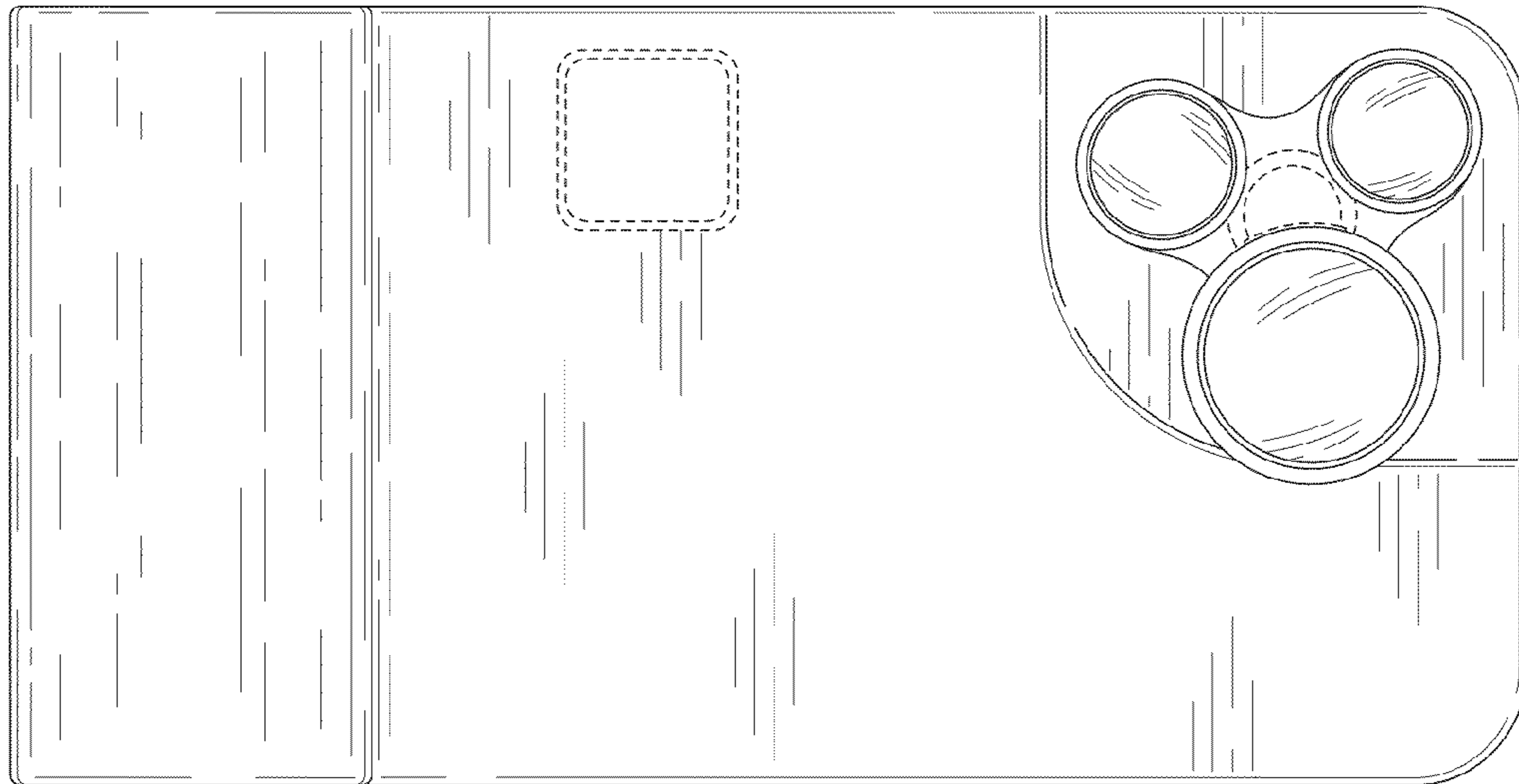


Fig. 5

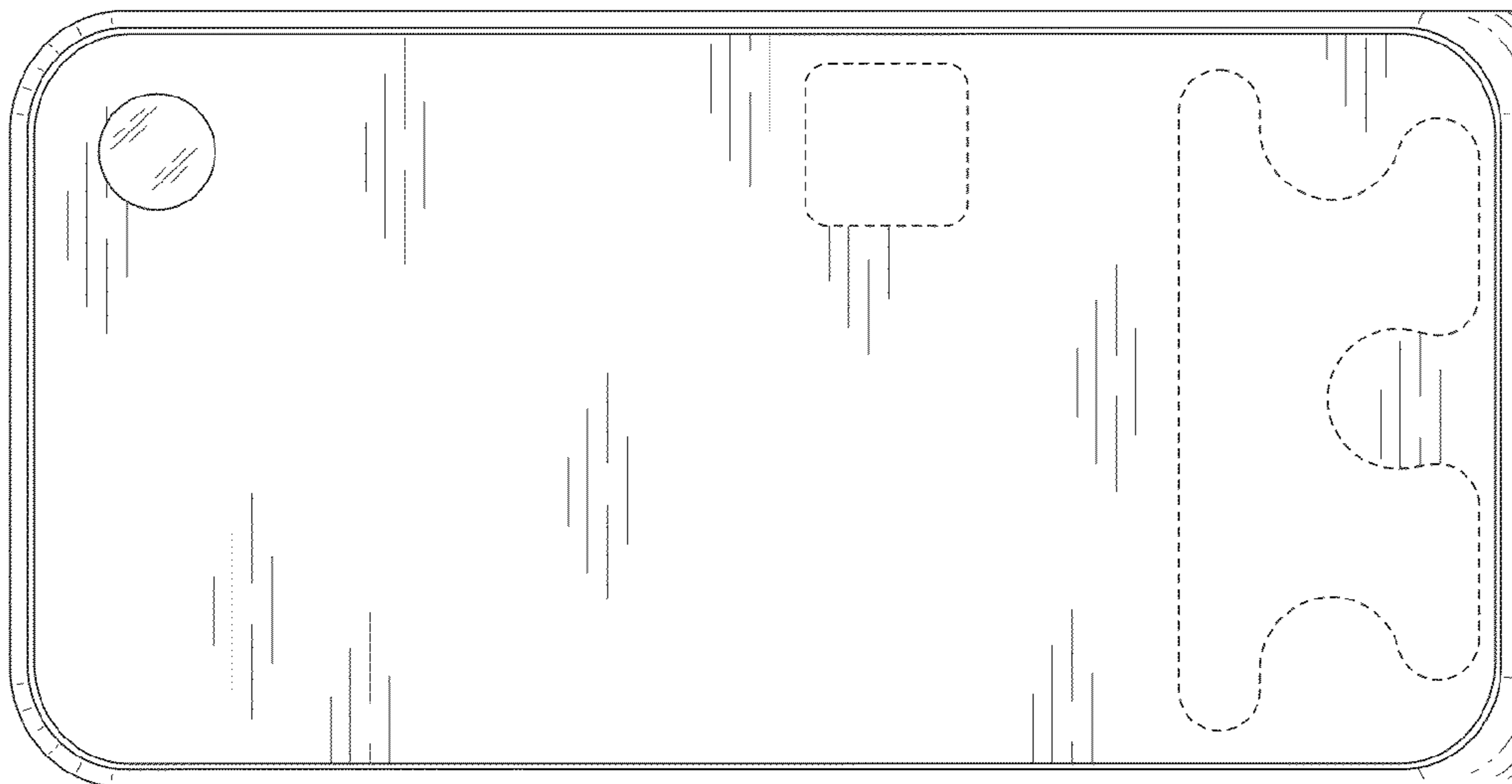


Fig. 6

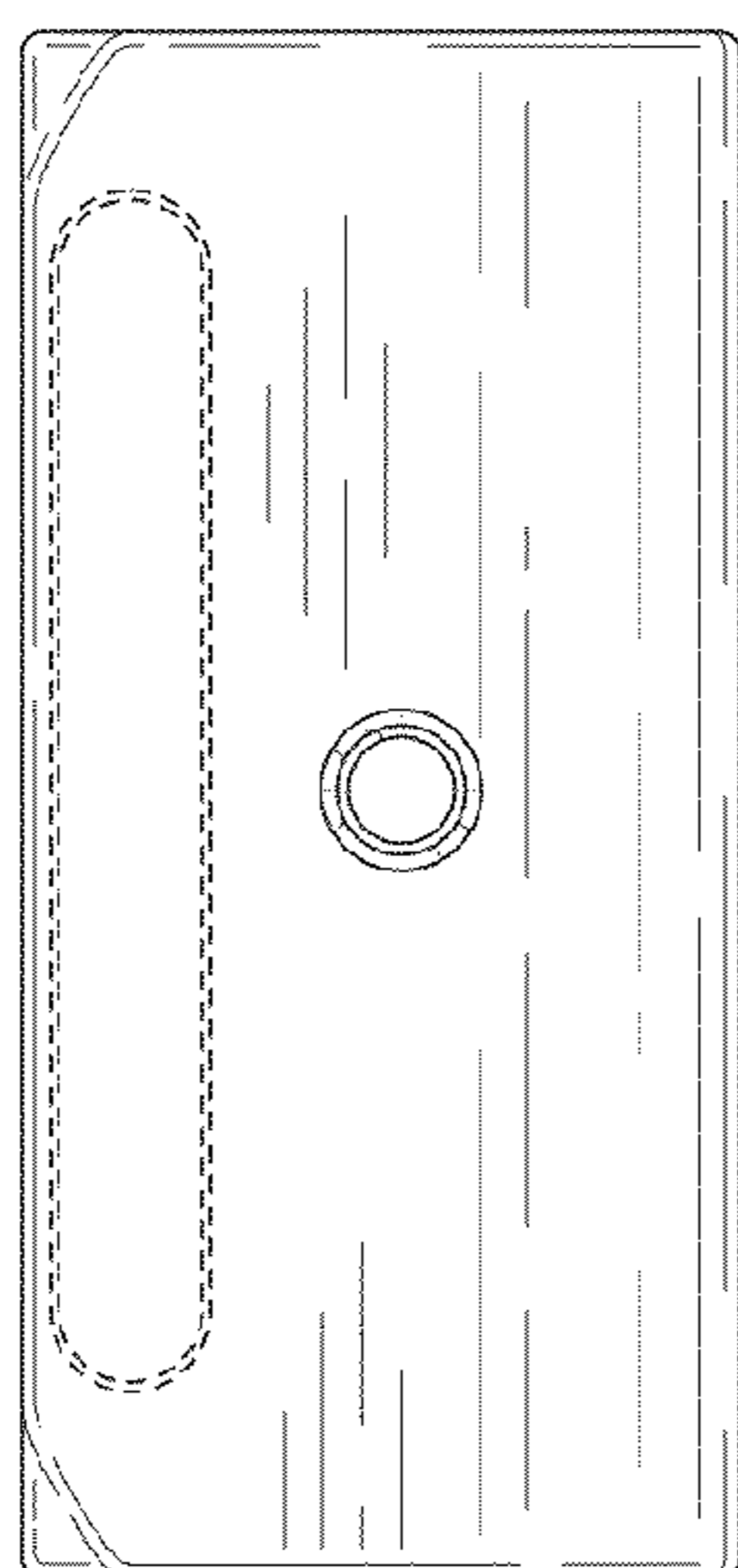


Fig. 7

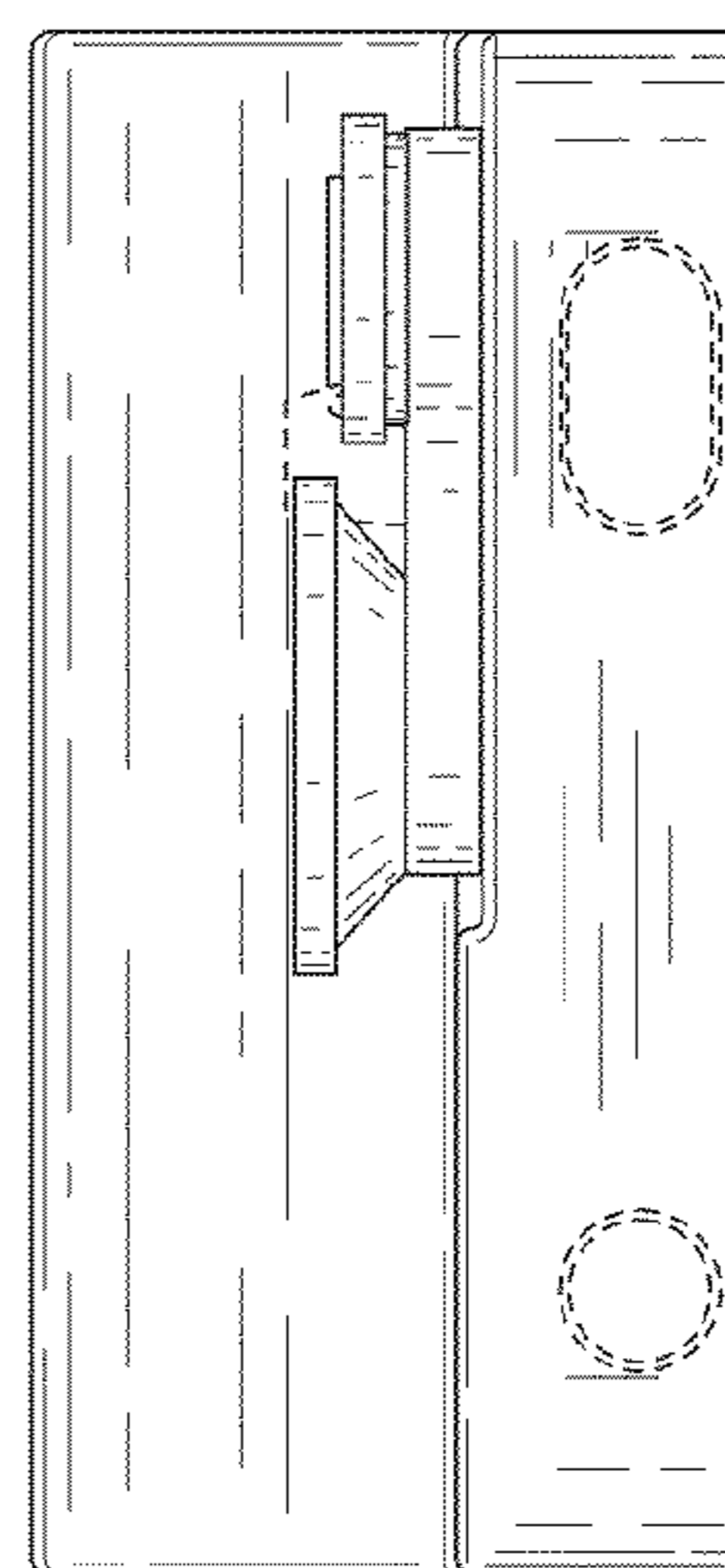


Fig. 8

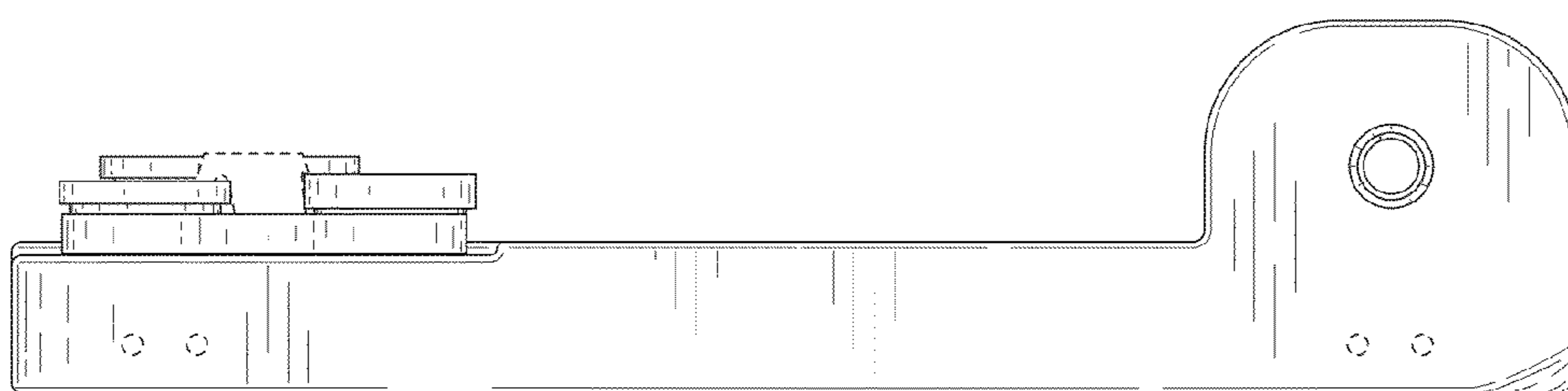


Fig. 9

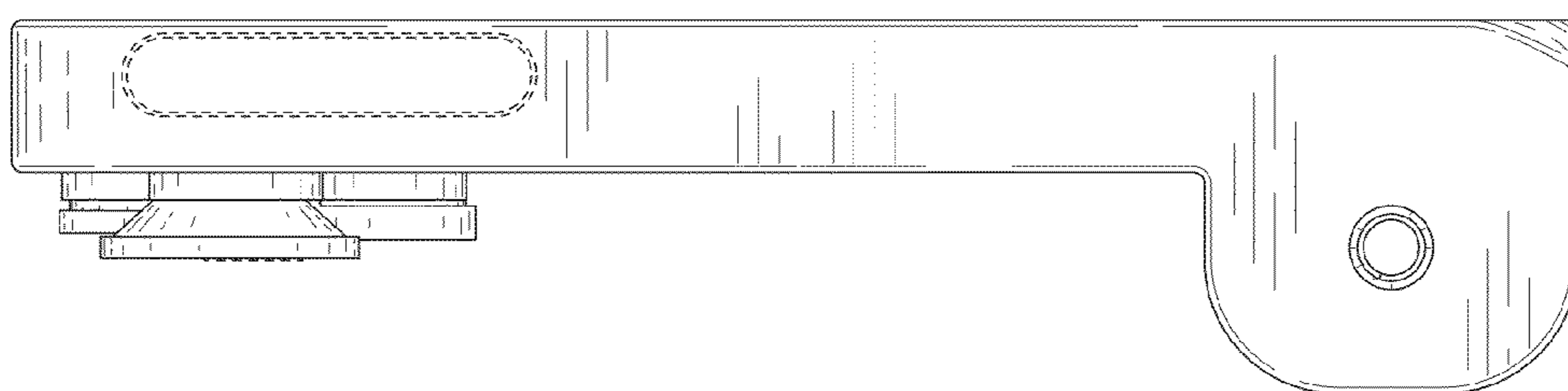


Fig. 10