



US00D707665S

(12) **United States Design Patent**
Chu

(10) **Patent No.:** **US D707,665 S**
(45) **Date of Patent:** **** Jun. 24, 2014**

(54) **ANTENNA**
(71) Applicant: **Sercomm Corporation**, Taipei (TW)
(72) Inventor: **Ching-Lin Chu**, New Taipei (TW)
(73) Assignee: **Sercomm Corporation**, Taipei (TW)
(**) Term: **14 Years**
(21) Appl. No.: **29/477,594**

(22) Filed: **Dec. 24, 2013**
(51) **LOC (10) Cl.** **14-03**
(52) **U.S. Cl.**
USPC **D14/230**
(58) **Field of Classification Search**
USPC D14/138, 230-238, 299, 358; D12/42,
D12/43; 343/700 MS, 700 R-705, 711-713,
343/735, 736, 741, 748, 767, 795, 819, 840,
343/846, 866, 871-908; 455/90.2, 90.3, 91,
455/128, 269, 344, 347, 562.1; 333/193,
333/195
See application file for complete search history.

(56) **References Cited**

U.S. PATENT DOCUMENTS

7,333,067	B2 *	2/2008	Hung et al.	343/770
D592,195	S *	5/2009	Wu et al.	D14/230
D599,334	S *	9/2009	Chiang	D14/230
7,589,679	B2 *	9/2009	Shih	343/702
D603,851	S *	11/2009	Montgomery	D14/230
D607,442	S *	1/2010	Su et al.	D14/230
D636,764	S *	4/2011	Mi et al.	D14/230
D649,534	S *	11/2011	Mi et al.	D14/230
D656,925	S *	4/2012	Podduturi	D14/230
D676,429	S *	2/2013	Gosalia et al.	D14/230

D686,599	S *	7/2013	Podduturi	D14/230
D694,738	S *	12/2013	Yang	D14/230
2005/0073462	A1 *	4/2005	Lin et al.	343/702
2009/0135072	A1 *	5/2009	Ke et al.	343/700 MS
2009/0262028	A1 *	10/2009	Mumbru et al.	343/702
2010/0149041	A1 *	6/2010	Asraff et al.	343/700 MS
2010/0171664	A1 *	7/2010	Yang et al.	343/700 MS
2012/0098707	A1 *	4/2012	Chou	343/700 MS
2012/0242546	A1 *	9/2012	Hu et al.	343/700 MS
2013/0033399	A1 *	2/2013	Huang et al.	343/700 MS
2013/0050030	A1 *	2/2013	Shimasaki	343/700 MS

* cited by examiner

Primary Examiner — John Windmuller

(74) *Attorney, Agent, or Firm* — McClure, Qualey & Rodack, LLP

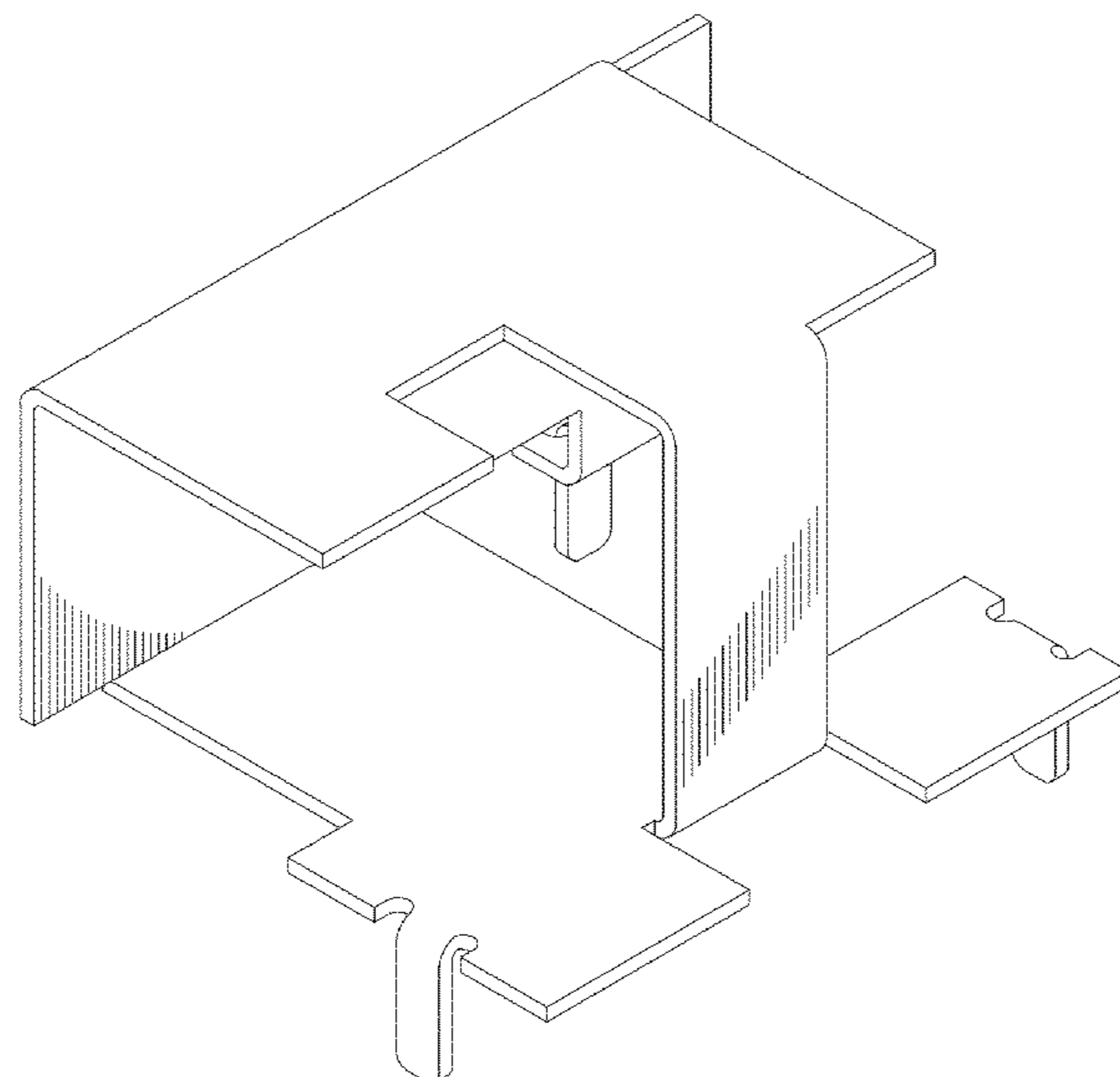
(57) **CLAIM**

The ornamental design for an antenna, as shown and described.

DESCRIPTION

FIG. 1 is a perspective view of an antenna showing my new design;
FIG. 2 is a front side elevational view thereof;
FIG. 3 is a rear side elevational view thereof;
FIG. 4 is a left side elevational view thereof;
FIG. 5 is a right side elevational view thereof;
FIG. 6 is a top plan view thereof;
FIG. 7 is a bottom plan view thereof;
FIG. 8 is an enlargement view of local portion A' of FIG. 7 thereof;
FIG. 9 is an enlargement view of local portion B' of FIG. 7 thereof; and,
FIG. 10 is an enlargement view of local portion C' of FIG. 7 thereof.

1 Claim, 6 Drawing Sheets



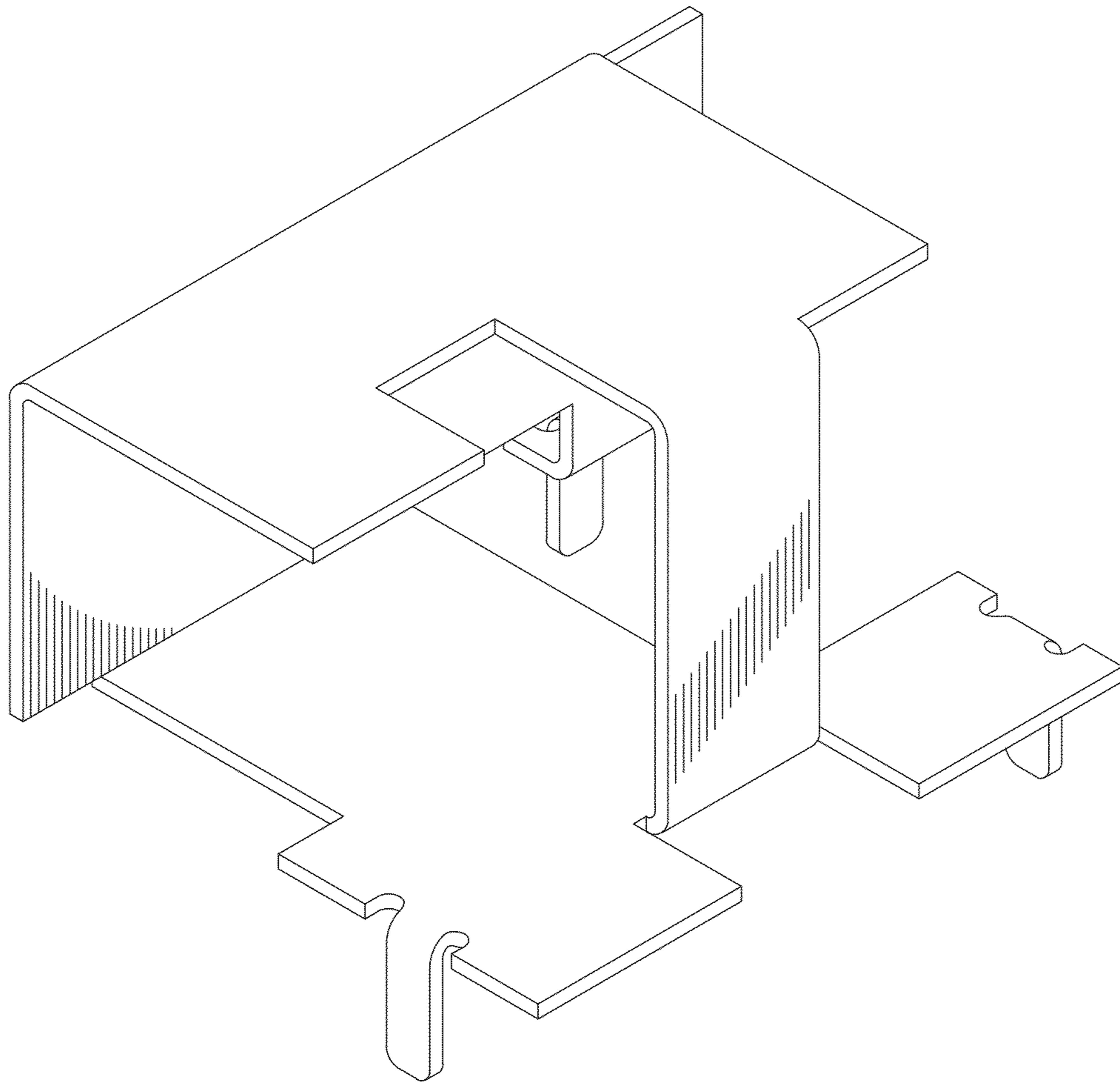


FIG. 1

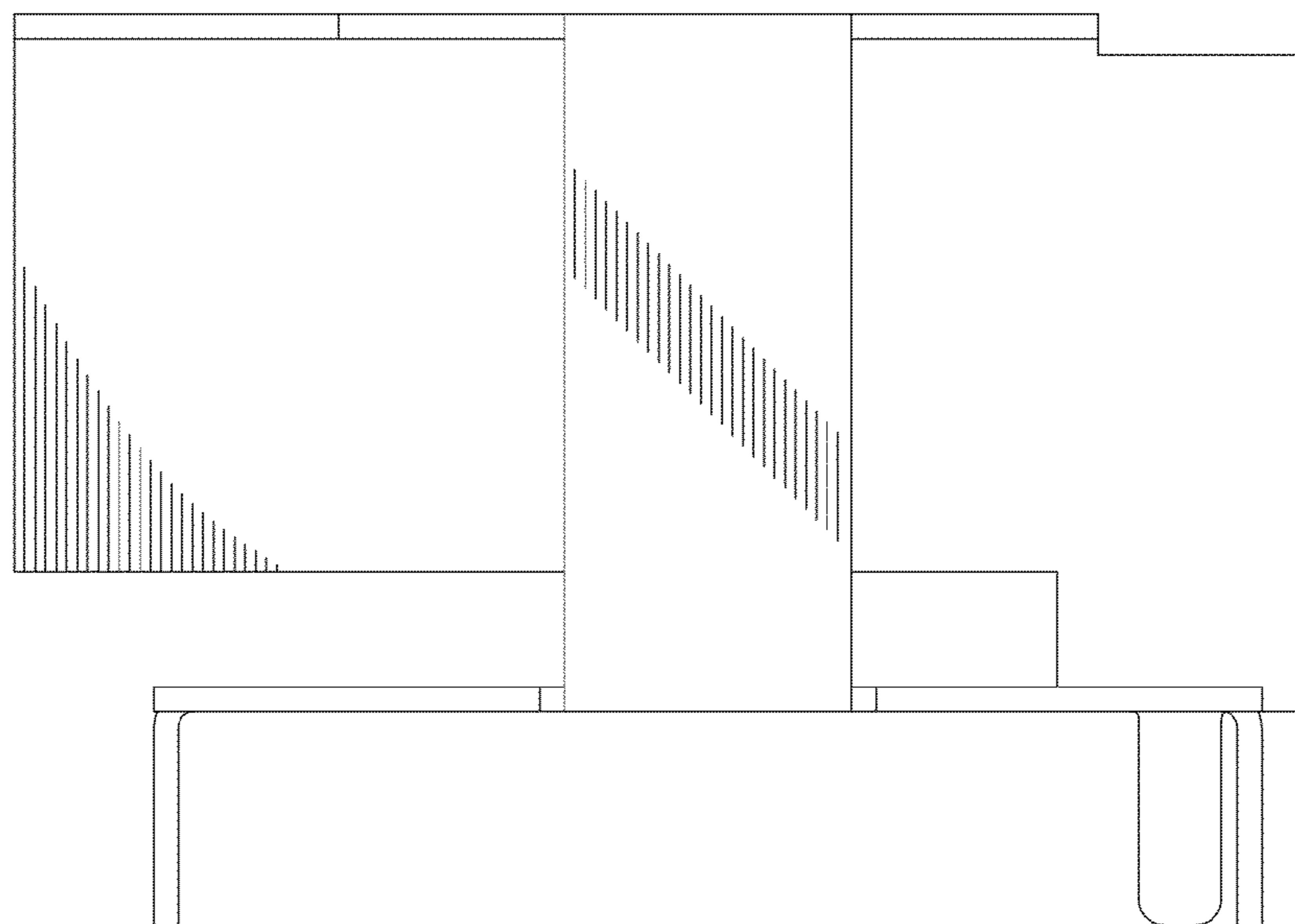


FIG. 2

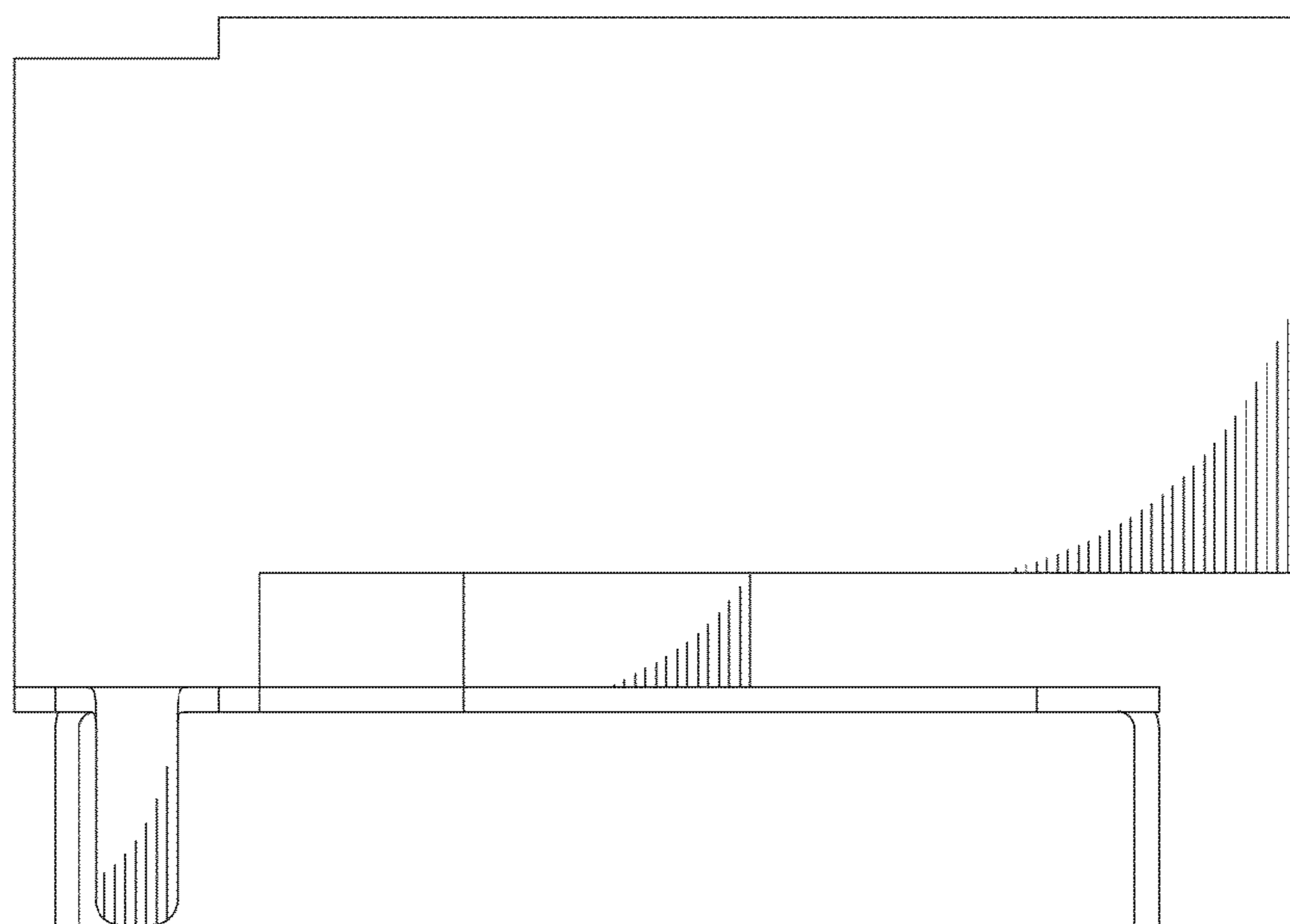


FIG. 3

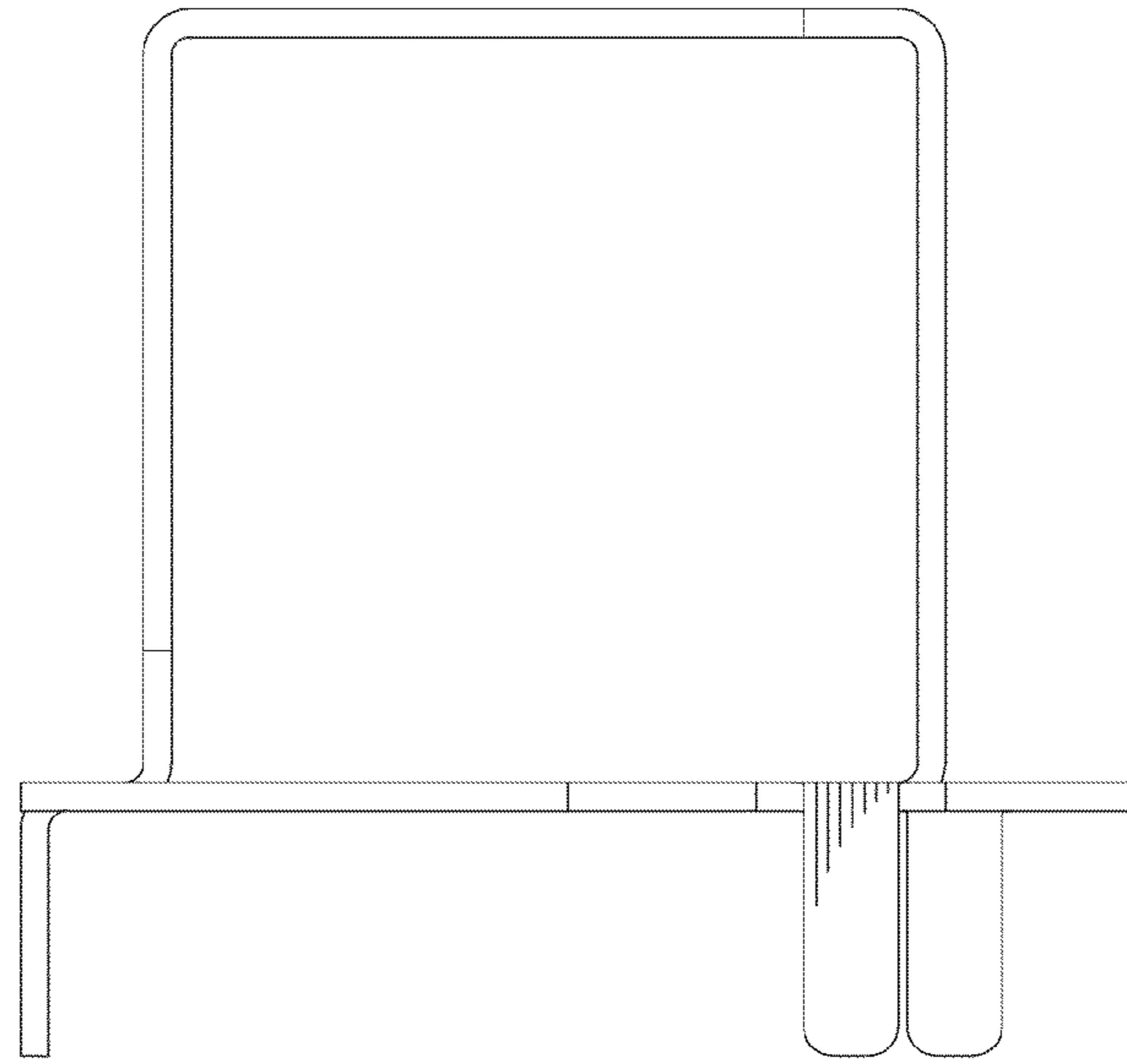


FIG. 4

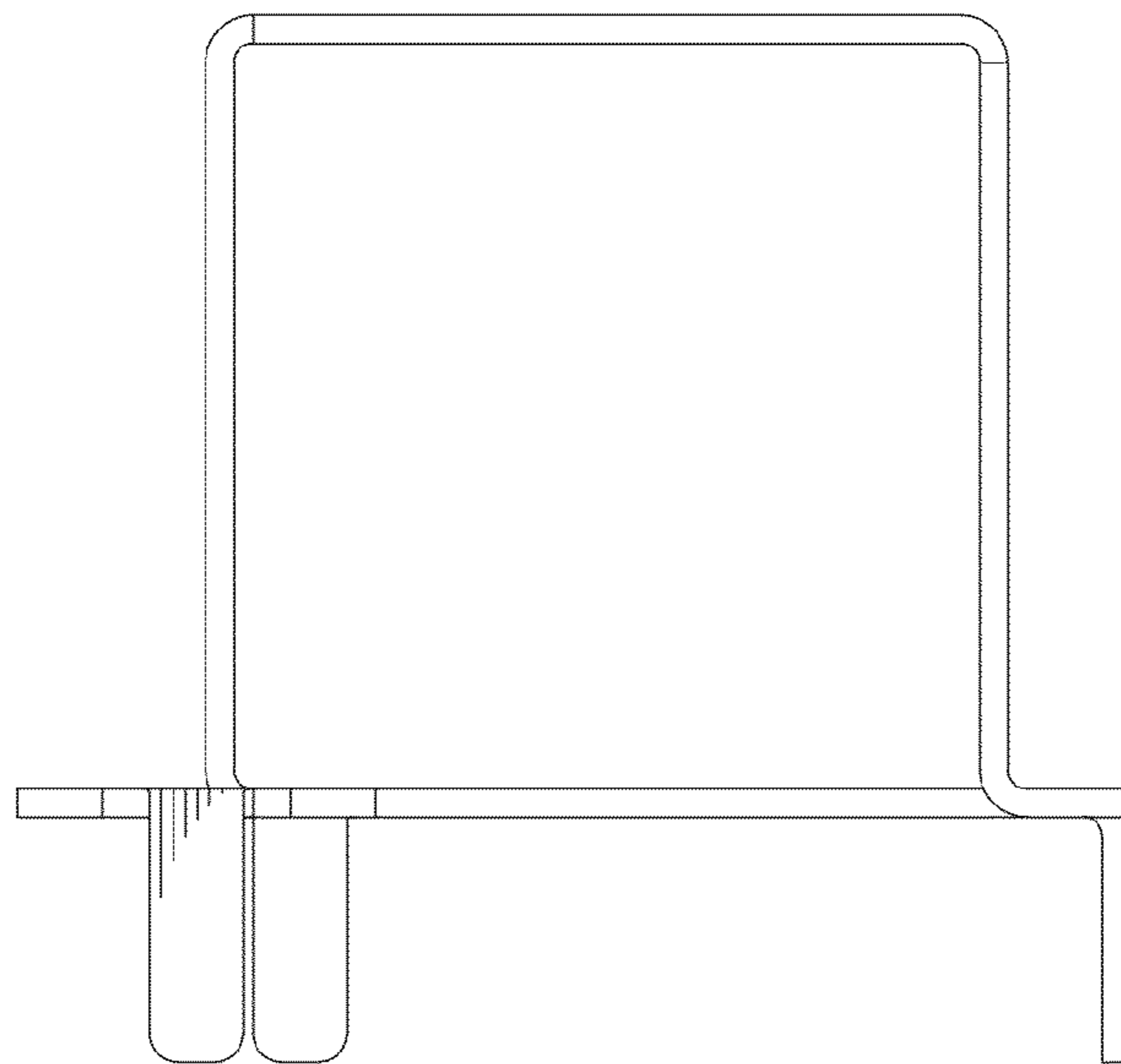


FIG. 5

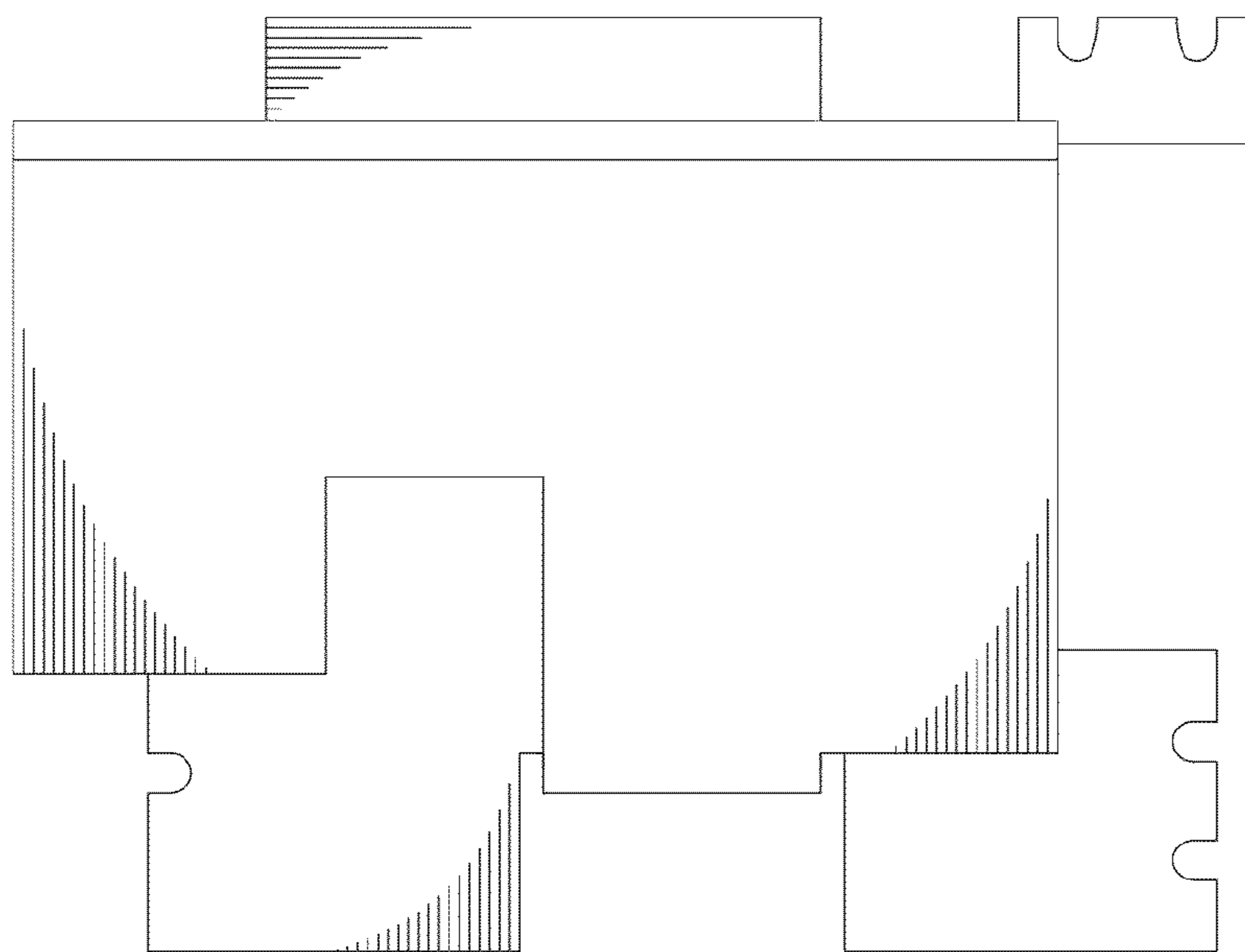


FIG. 6

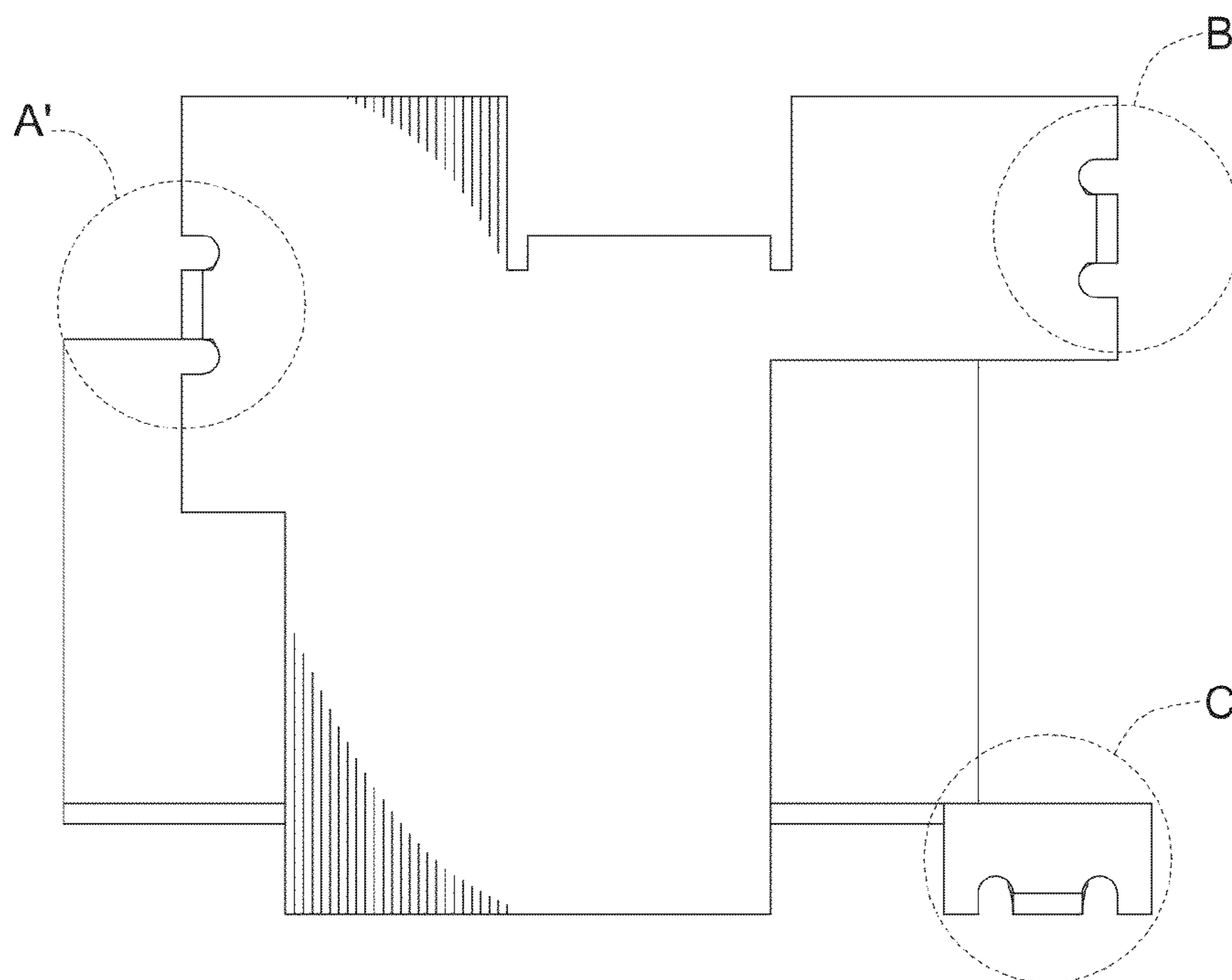


FIG. 7

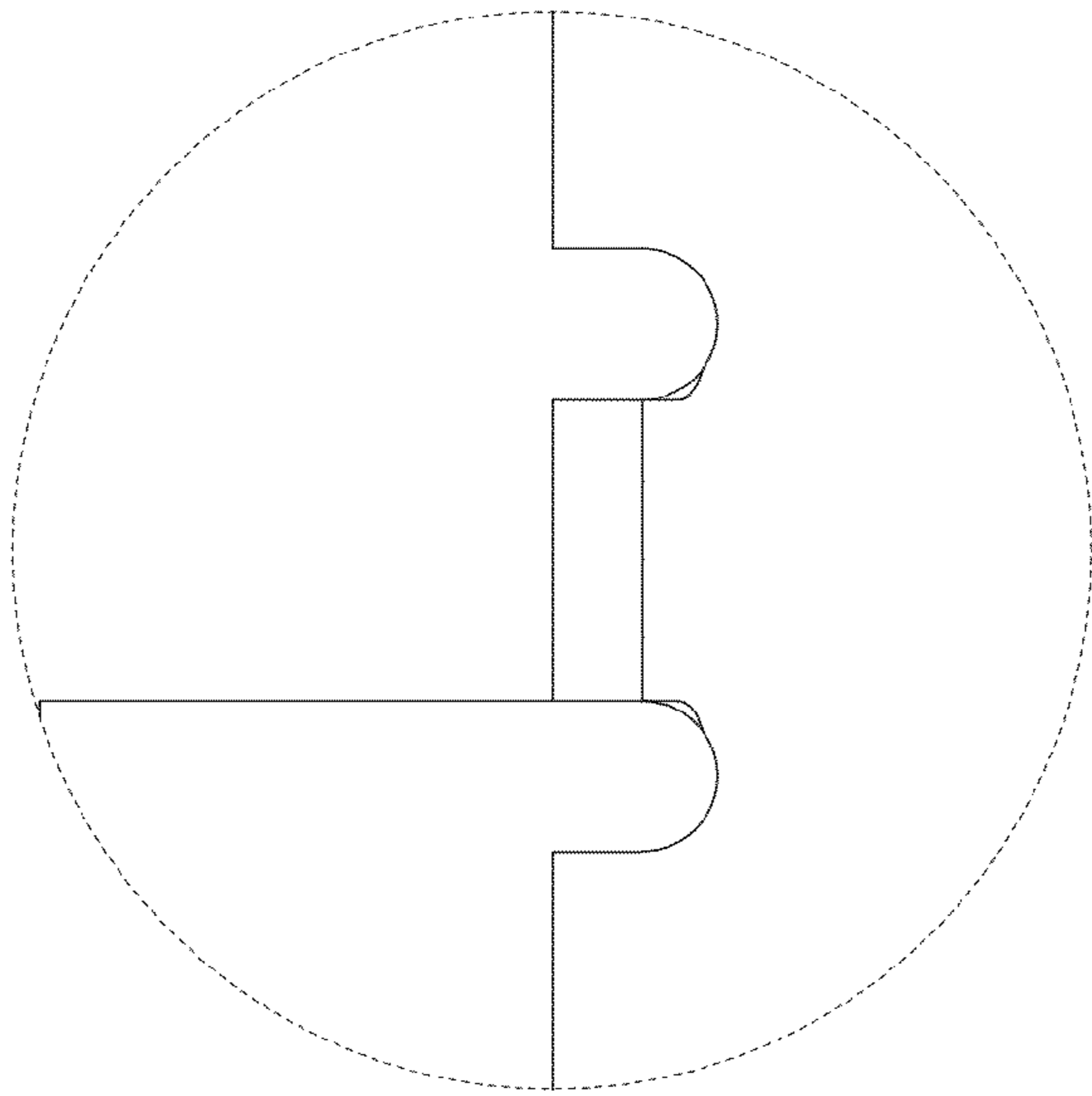


FIG. 8

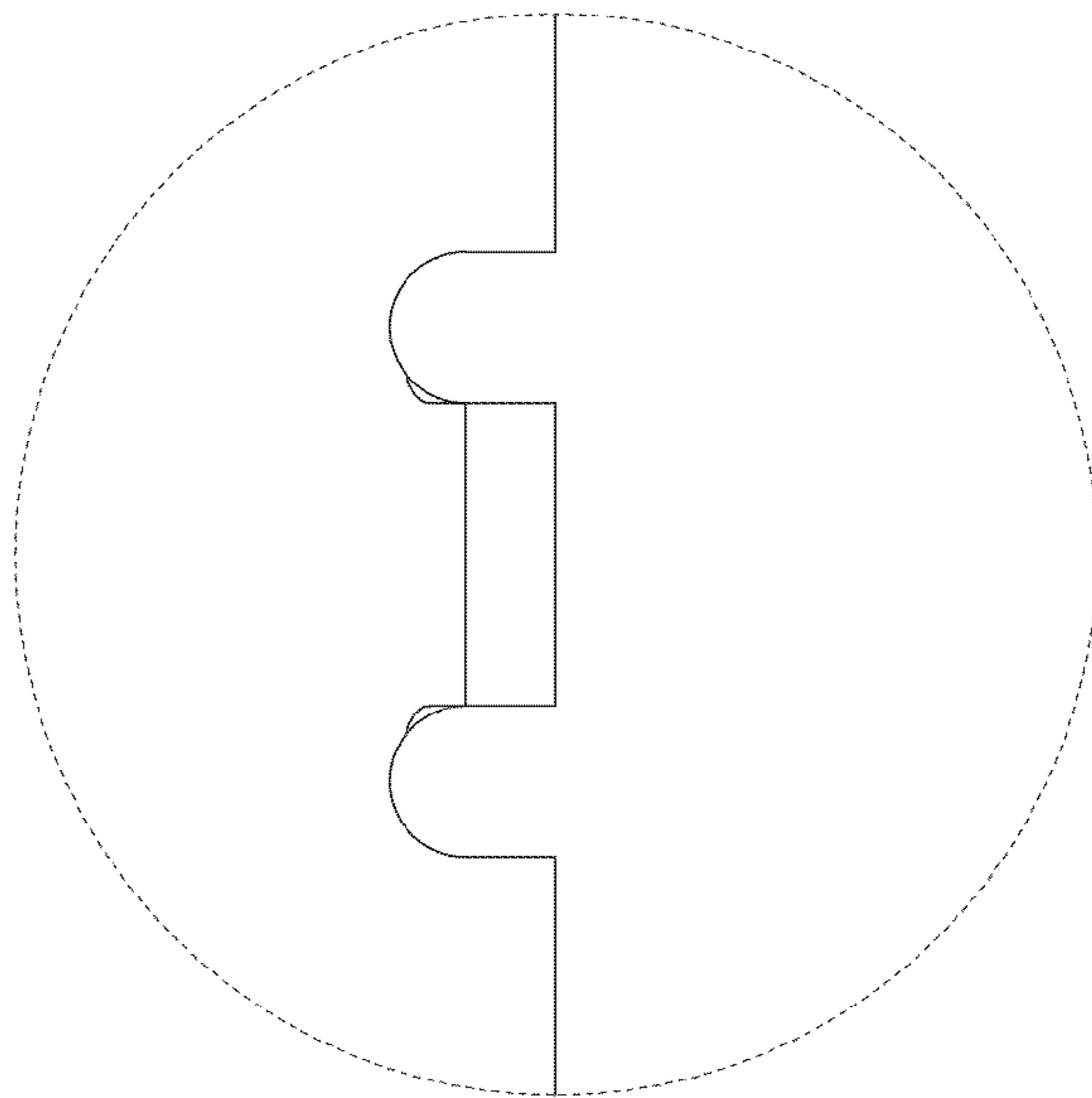


FIG. 9

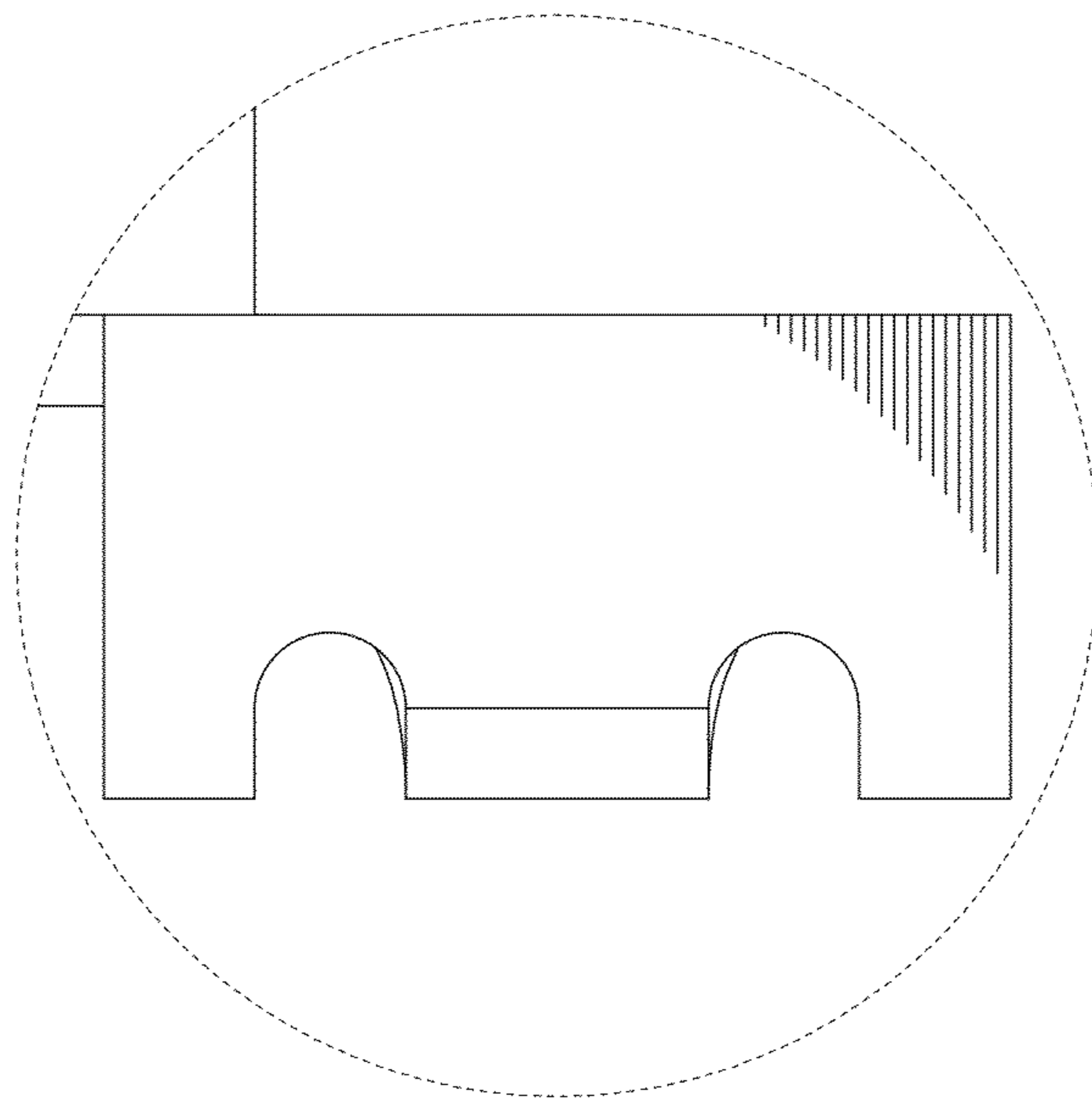


FIG. 10