



US00D707663S

(12) **United States Design Patent**
Podduturi

(10) **Patent No.:** **US D707,663 S**
(45) **Date of Patent:** **** Jun. 24, 2014**

(54) **IDM DUAL-BAND MINIATURE ANTENNA**

(71) Applicant: **World Products, LLC**, Sonoma, CA (US)

(72) Inventor: **Bharadvaj R. Podduturi**, American Canyon, CA (US)

(73) Assignee: **World Products, Inc.**, Sonoma, CA (US)

(**) Term: **14 Years**

(21) Appl. No.: **29/476,813**

(22) Filed: **Dec. 17, 2013**

(51) **LOC (10) Cl.** **14-03**

(52) **U.S. Cl.**
USPC **D14/230**

(58) **Field of Classification Search**
USPC D14/138, 230–238, 299, 358; D12/43, D12/42; 343/700 MS, 700 R–705, 711–713, 343/735, 736, 741, 748, 767, 795, 819, 840, 343/846, 866, 871–908; 455/90.2, 90.3, 91, 455/128, 269, 344, 347, 562.1; 333/193, 333/195

See application file for complete search history.

(56) **References Cited**

U.S. PATENT DOCUMENTS

D217,256 S *	4/1970	Kahn	D14/230
D379,356 S *	5/1997	Liu et al.	D14/230
D429,238 S *	8/2000	Kolinen	D14/240
D465,479 S *	11/2002	Tourres	D14/230
D485,551 S *	1/2004	Mikkola et al.	D14/240
D515,075 S *	2/2006	Kusanagi et al.	D14/230
D531,172 S *	10/2006	Noro et al.	D14/230

D531,173 S *	10/2006	Aizawa et al.	D14/230
D535,646 S *	1/2007	Allen et al.	D14/230
D552,088 S *	10/2007	Schneider	D14/230
D583,796 S *	12/2008	Tanaka	D14/155
D622,713 S *	8/2010	Chung et al.	D14/242
D636,357 S *	4/2011	Kim et al.	D14/125
D683,720 S *	6/2013	Quinlan et al.	D14/230
D693,349 S *	11/2013	Morgan et al.	D14/434
2006/0132367 A1 *	6/2006	Chang et al.	343/702

* cited by examiner

Primary Examiner — John Windmuller

(74) *Attorney, Agent, or Firm* — Patterson Thunte Pedersen, P.A.

(57) **CLAIM**

I claim the ornamental design for an IDM dual-band miniature antenna, as shown and described.

DESCRIPTION

FIG. 1 is a perspective view of an IDM dual-band miniature antenna according to the invention.

FIG. 2 is a front elevation view of the IDM dual-band miniature antenna depicted in FIG. 1.

FIG. 3 is a rear elevation view of the IDM dual-band miniature antenna depicted in FIG. 1.

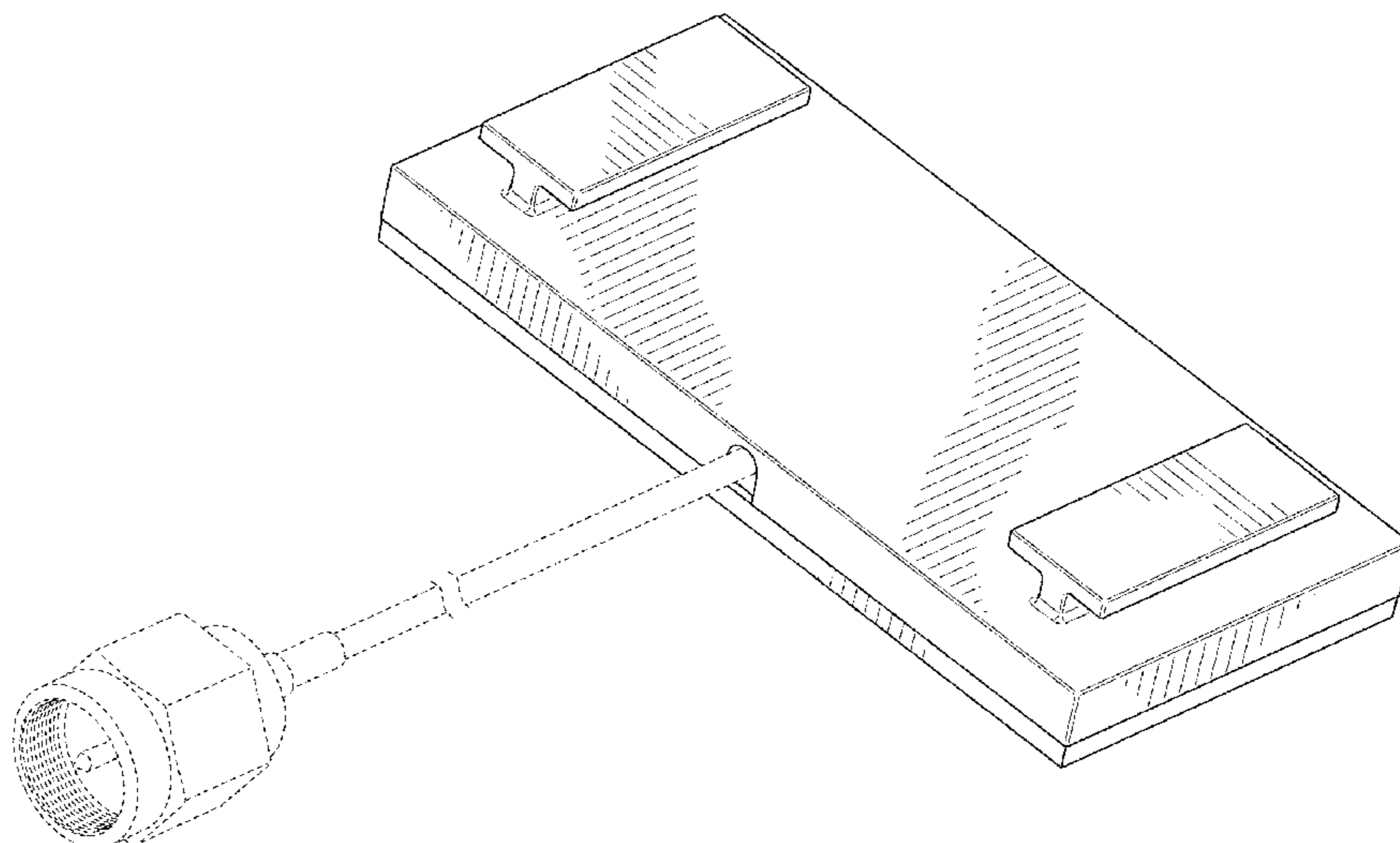
FIG. 4 is a top plan view of the IDM dual-band miniature antenna depicted in FIG. 1.

FIG. 5 is a bottom plan view of the IDM dual-band miniature antenna depicted in FIG. 1; and,

FIG. 6 is a side elevation view of the IDM dual-band miniature antenna depicted in FIG. 1.

The broken lines illustrate portions of the IDM dual-band miniature antenna which form no part of the claimed invention.

1 Claim, 5 Drawing Sheets



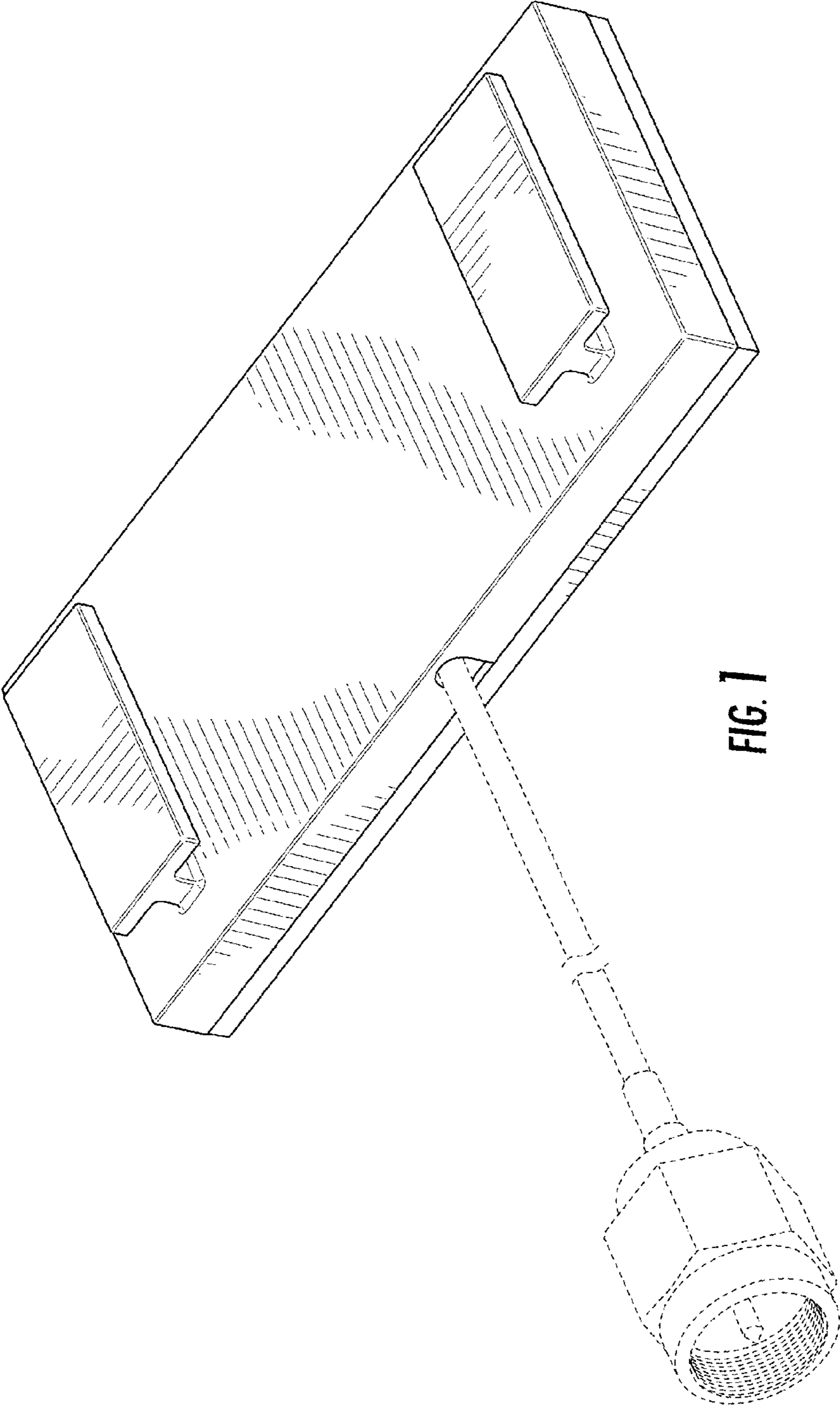


FIG. 1

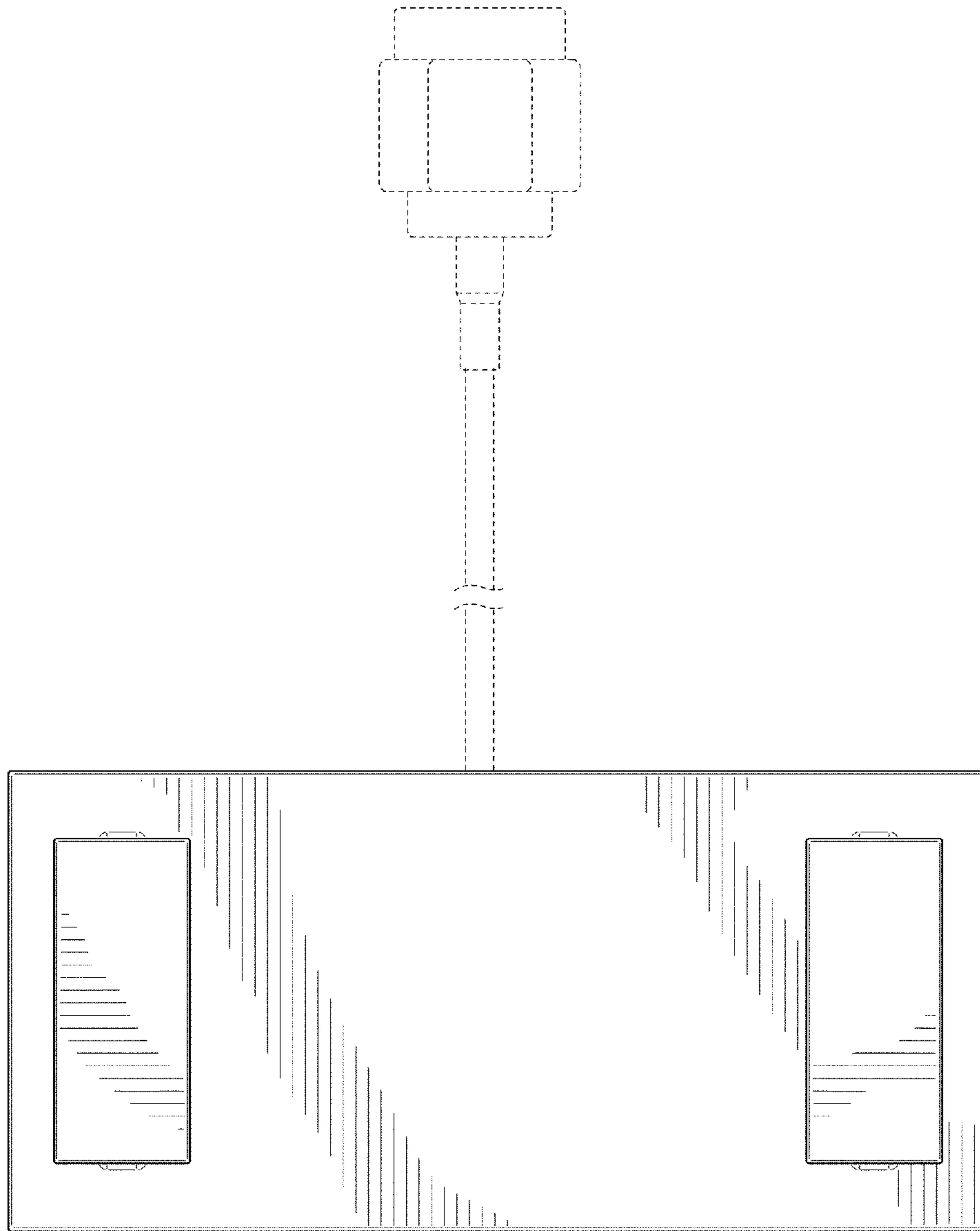


FIG. 2

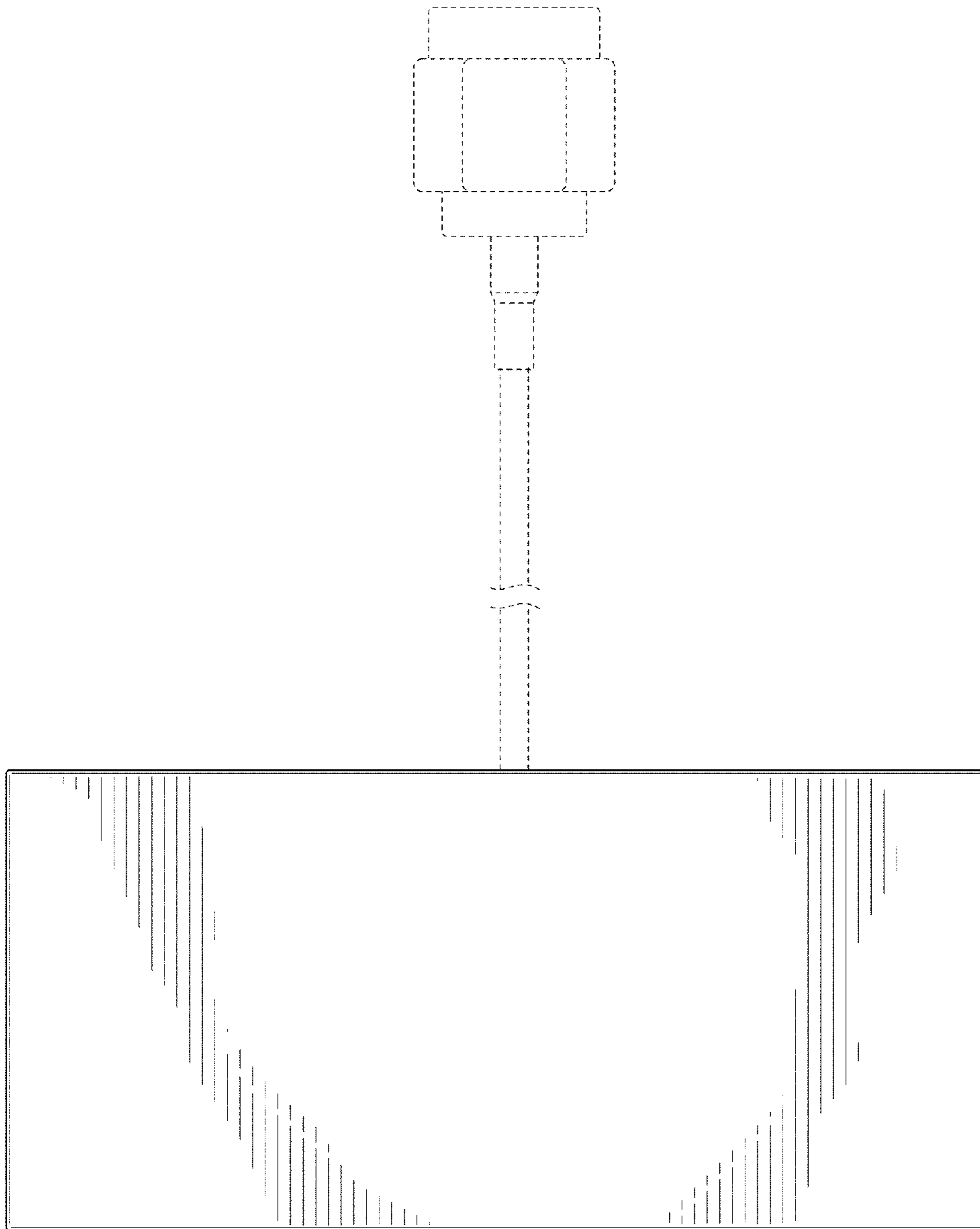


FIG. 3

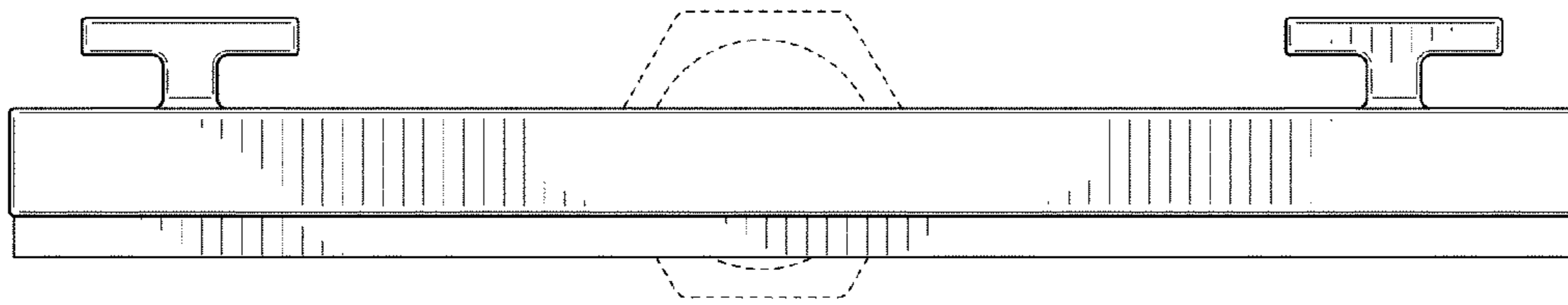


FIG. 4

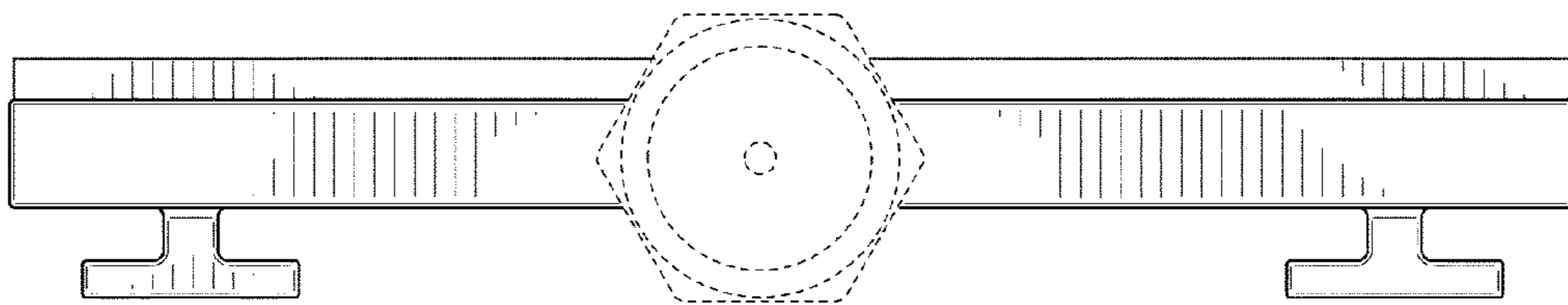


FIG. 5

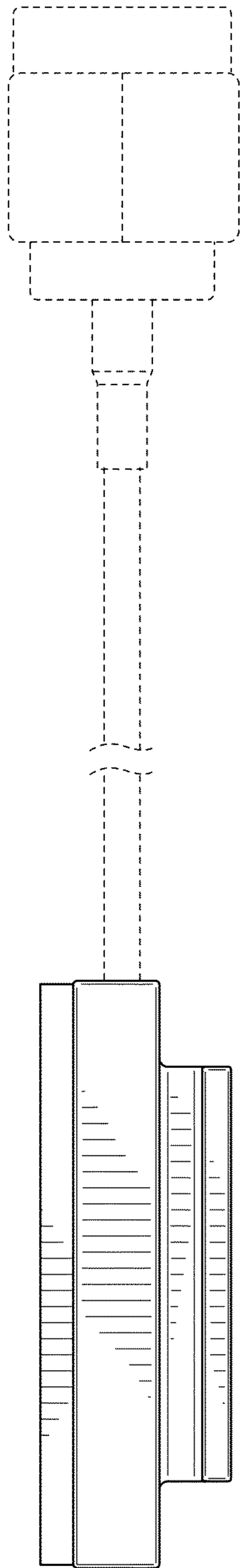


FIG. 6